

Gigabit Ethernet Switching

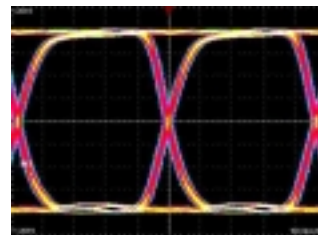
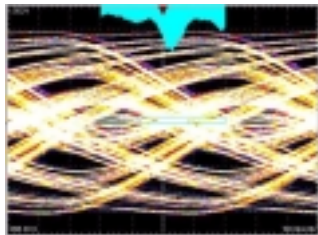
PMC-Sierra provides exceptional signal integrity SERDES and Retimer devices for Enterprise Switch backplanes and line cards

- Guaranteed Jitter Performance
- Extremely low bit error rates
- Widely deployed proven devices
- Low power and small package size
- Industrial temperature range



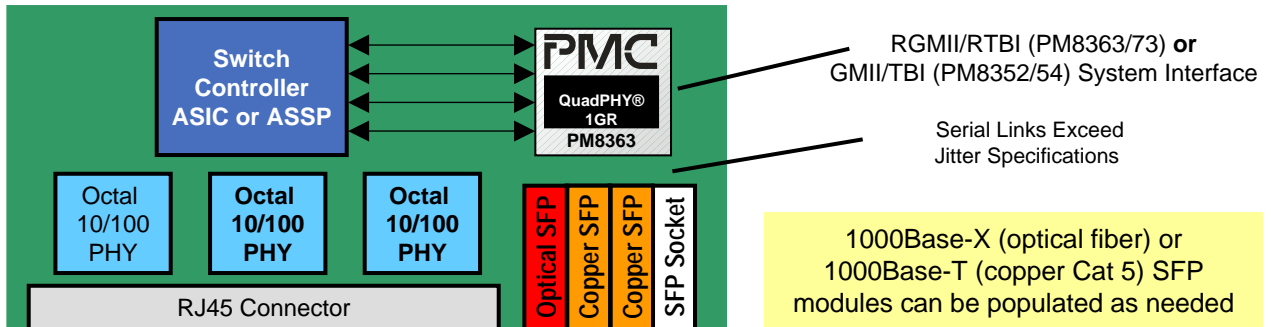
Enterprise Ethernet Switches

Device	Description
QuadPHY 1G	• 4 Port GE SERDES with GMII/TBI/DDR system interface
OctalPHY 1G	• 8 Port GE SERDES with GMII/TBI/DDR system interface
QuadPHY 1GR	• 4 Port GE SERDES with RGMII/RTBI system interface
HexPHY 1GR	• 6 Port GE SERDES with RGMII/RTBI system interface
QuadPHY FC	• 4 Port GE & 1/2GFC SERDES with HSPI/DDR system interface
QuadPHY RT	• 4 Port GE backplane retimer with extensive system diagnostics

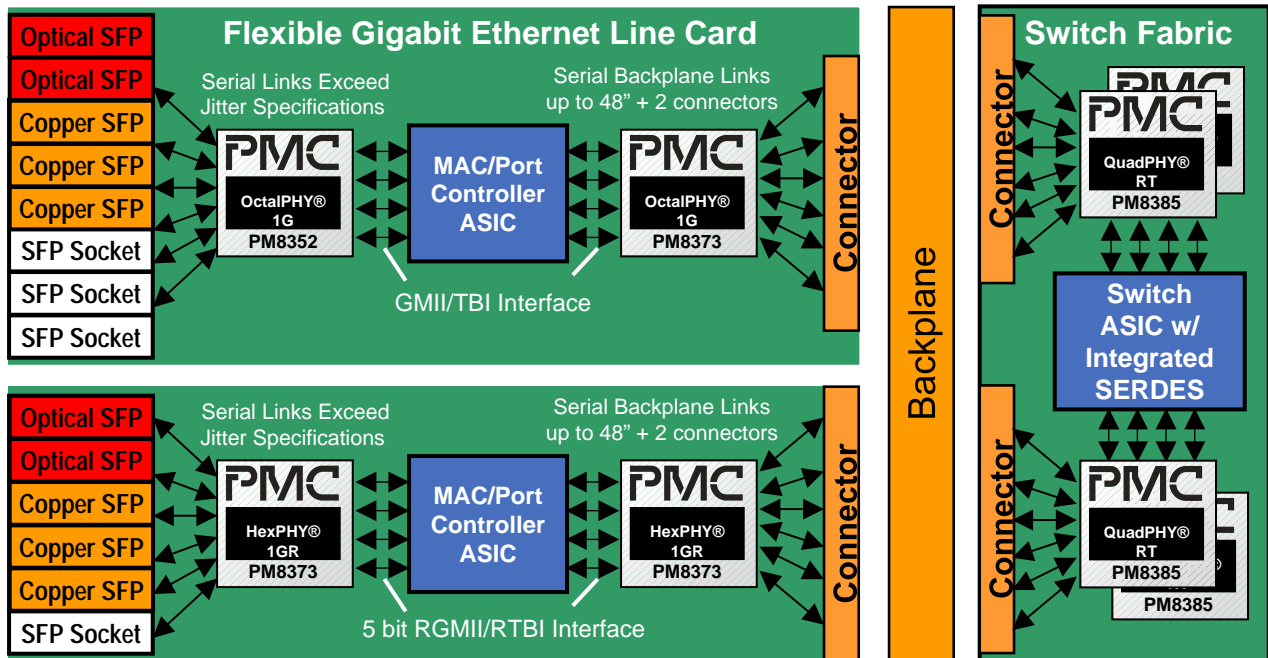


High-Performance Gigabit Serial Reiming via the QuadPHY RT

Gigabit Ethernet Uplinks - 24x10/100 + 4 x GE (or 48+4) Switch



Modular Gigabit Ethernet Switch



Contact Information:

www.pmc-sierra.com/contactSales

SERDES / Retimer Quick Links

For more information on PMC-Sierra's

Portfolio of SerDes and Retimer devices visit:

www.pmc-sierra.com/serdes

Download Data Sheets, Application Notes, White Papers



REGISTERED

PMC
PMC - SIERRA

Thinking you can build on