

# Amana® Freestanding Gas Range

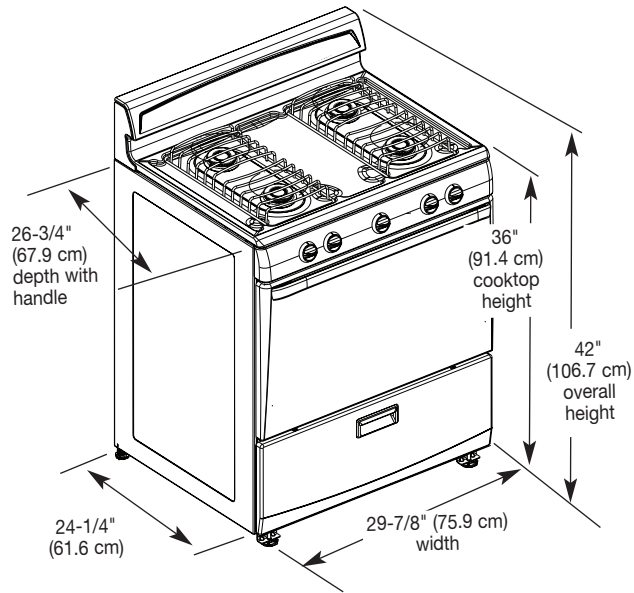
## PRODUCT MODEL NUMBERS

AGR3311WD

**Gas supply:** Use 3/4" (1.9 cm) rigid pipe gas supply line to the range location. A smaller size pipe on longer runs may result in insufficient gas supply. With L.P. gas, piping or tubing size can be 1/2" (1.3 cm) minimum. If local codes permit, it is recommended that new flexible metal tubing, design-certified by CSA, 4-5 feet (122-152.4 cm) long, 1/2" (1.3 cm) or 3/4" (1.9 cm) I.D., be used for connecting the range to the rigid gas supply line. A 1/2" (1.3 cm) male pipe thread is needed for connection to pressure regulator female pipe threads. An individual manual shutoff valve must be located in the same room, but external to the range.

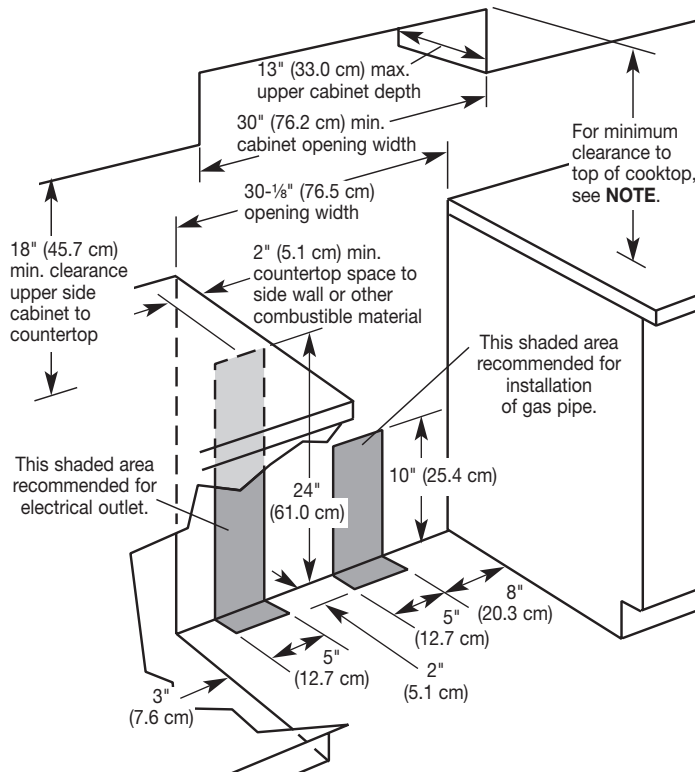
**Electrical:** 120-volt, 60-Hz, AC only, electrical supply is required on a separate 15-amp circuit, fused on both sides of the line. A time-delay fuse or circuit breaker is recommended.

## OVERALL DIMENSIONS



## CABINET OPENING DIMENSIONS

Cabinet opening dimensions shown are for 25" (64 cm) countertop depth, 24" (61 cm) base cabinet depth and 36" (91.4 cm) countertop height.



**NOTE:** 24" (61 cm) minimum when bottom of wood or metal cabinet is protected by not less than 1/4" (0.64 cm) flame retardant millboard covered with not less than No. 28 MSG sheet steel, 0.015" (0.4 mm) stainless steel, 0.024" (0.6 mm) aluminum or 0.020" (0.5 mm) copper. 30" (76.2 cm) minimum clearance between the top of the cooking platform and the bottom of an unprotected wood or metal cabinet.

If installing a range hood or microwave hood combination above the range, follow the range hood or microwave hood combination installation instructions for dimensional clearances above the cooktop surface.