

Electric Fireplace SEKU 2000 A1



GB **Electric Fireplace**
IE Operating instructions

Contents

Introduction	2	Assembly	10
Information for these operating instructions	2	Handling and operation	14
Copyright	2	Switching the appliance on and off	14
Limited liability	2	Maintenance	14
Warnings	3	Changing the light bulbs	14
Intended use	3	Cleaning	15
Safety	4	Troubleshooting	15
Risk of electrocution	4	Malfunction causes and remedies	16
Basic Safety Instructions	4	Storage/Disposal	16
Setting up and connecting	5	Storage	16
Safety Notices	5	Disposal of the appliance	16
Items supplied and delivery checks	5	Appendix	17
Disposal of the packaging	5	Technical data	17
Installation requirements	6	Notes on the EC Declaration of Conformity	17
Before the first use	6	Warranty	18
Electrical connection	6	Service	18
Operating components	7	Importer	18
Set up	8		
Individual parts of the electric fireplace	8		
Screws and assembly material	9		

Introduction

Information for these operating instructions

These operating instructions are a component of the SEKU 2000 A1 Electric Fireplace (henceforth designated as the appliance) and they provide you with important information about the intended use, safety, installation and connection as well as operation of the appliance.

These operating instructions must at all times be kept available close to the appliance. They are to be read and applied by everyone assigned to install, service and repair faults in the appliance.

Keep these operating instructions and hand them over with the appliance to any future owners.

Copyright

This documentation is copyright protected.

Any copying or reproduction of this handbook, including extracts, as well as the rendering of any images, even in an altered state, is permitted only with the written consent of the manufacturer.

Limited liability

All technical information, data and instructions for installation, connection and operation contained in these operating instructions correspond to the status at the time of printing and, to the best of our knowledge, take into account our previous experience and know-how.

No claims can be derived from the details, illustrations and descriptions in these instructions.

The manufacturer assumes no liability for damage caused by failure to observe these instructions, improper use, inappropriate repairs, making unauthorized modifications or for using unapproved replacement parts.

Warnings

In these operating instructions the following warnings are used:

DANGER

A warning at this danger level indicates a threateningly dangerous situation.

If the dangerous situation is not avoided, it could result in death or serious injury.

- ▶ Compliance with the instructions in this warning is necessary to avoid the risk of death or serious injury.

WARNING

A warning at this danger level indicates a potentially dangerous situation.

If the dangerous situation is not avoided it can lead to injuries.

- ▶ The directives in this warning are there to avoid personal injuries.

IMPORTANT

A warning of this danger level signifies possible property damage.

If the situation is not avoided it can lead to property damage.

- ▶ The directives in this warning are there to avoid property damage.

NOTICE

- ▶ A notice signifies additional information that assists in the handling of the appliance.

Intended use

This appliance is intended for the heating of enclosed living spaces. In addition, artificial fire flares can be created with the appliance to optically replicate an open-hearth fire.

This appliance is not intended for any other use or for uses other than those mentioned.

WARNING

Risks from unintended use!

Risks can be created by the appliance if it used for unintended purposes and/or for other applications.

- ▶ Use the appliance exclusively for its intended purposes.
- ▶ Observe the procedures described in these operating instructions.

Claims of any kind for damage resulting from unintended use will not be accepted.

The operator alone bears the liability.

Safety

In this chapter you are being given important safety information regarding the handling of the appliance.

This appliance complies with the statutory safety regulations. Incorrect usage can, however, lead to personal and property damage.

	<p>Do not cover the appliance!</p> <p>Covering the appliance can cause overheating and thus lead to the development of a fire!</p>
---	---

Risk of electrocution

DANGER

Risk of electrocution!

A potentially fatal situation can arise from contact with live wires or components!

Pay heed to the following precautions to avoid the risk of electric shock:

- ▶ Do not use the appliance if the mains power plug or the connecting cable are damaged.
- ▶ Before continuing to use the appliance, arrange for the connecting cable to be replaced by authorised qualified persons.
- ▶ Do not, under any circumstances, open the appliance housing. There is the risk of receiving an electric shock if the power carrying connections are touched and/or the electrical and mechanical construction is changed.

Basic Safety Instructions

For safe handling of the appliance observe the following safety information:

- Before use check the appliance for visible external damage. Do not put into operation a appliance that is damaged or has been dropped.
- Arrange for damaged cables or connections to be replaced by authorized qualified persons or by the Customer Service department.
- Persons who, due to their physical, intellectual or motor abilities, are incapable of operating the appliance safely may only use the appliance under supervision or direction from a responsible person.
- Only permit children to use the appliance under supervision.
- Repairs should only be carried out by authorized specialist companies or by the customer service department. Incorrect repairs can result in significant dangers for the user. In addition warranty claims become void.
- During the warranty period repairs to the appliance may only be carried out by a Customer Service department authorised by the manufacturer, if they are not, no additional warranty claims can be considered for subsequent damages.

- Defective components may only be replaced with original replacement parts. Only by using original replacement parts can it be guaranteed that the safety requirements are being complied with.
- Protect the appliance from moisture and liquid penetration.
- Always pull on the plug when disconnecting from the mains power socket, never pull on the connection cable.
- Do not use the appliance adjacent to open flames.
- If malfunctions occur or thunder storms threaten, remove the plug from the mains power socket.
- Never subject the appliance to spray and/or dripwater, do not place any objects filled with liquid (i.e. vases), or filled drink glasses, on or next to the appliance.

Setting up and connecting

Safety Notices

WARNING

During commissioning of the appliance, damage may occur to persons and property!

Pay heed to the following safety information to avoid these risks:

- ▶ Packaging material should not be used as a play thing. There is a risk of suffocation.
- ▶ Comply with the notices in regard to the requirements for the installation site and for the electrical connection to avoid risks for people and property.

Items supplied and delivery checks

The appliance is delivered with the following components as standard:

- Electric Fireplace
- Lightbulbs, 2 x E14, max. 25 W (preinstalled)
- Fireplace panelling including assembly material
- Operating instructions

NOTICE

- ▶ Check the contents to make sure everything is there and for visible damage.
- ▶ If the contents are incomplete, or are damaged due to defective packaging or transportation, contact the Service Hotline (see warranty card).

Disposal of the packaging

The packaging protects the appliance from transport damage. The packaging materials are selected from the point of view of their environmental friendliness and disposal technology and are therefore recyclable.



The recirculation of packaging into the material circuit saves on raw material and reduces generated waste. Dispose of packaging material that is no longer needed according to the regionally established regulations.

NOTICE

- ▶ If possible preserve the appliance's original packaging during the warranty period so that in the case of a warranty claim you can package the appliance properly for return.

Installation requirements

For the safe and correct operation of the appliance, the installation site must satisfy the following requirements:

- The appliance must be placed on a firm, flat and horizontal surface.
- Do not place the appliance in a hot, wet or very humid environment or close to inflammable materials.
- The mains power socket must be easily accessible at all times, thus enabling the plug to be immediately withdrawn should an emergency situation arise.
- Ambient temperature range: +5 to +45 °C
- Humidity (No condensation): 5 - 90 %

DANGER

Fire hazard due to material contact!

If the heater makes contact with flammable materials, there is a risk of fire!

Pay heed to the following safety information to avoid these fire risks:

- ▶ Keep inflammable materials well away from the place of installation of the appliance.
- ▶ Prevent the physical contact of combustible materials (e.g. textiles) with the appliance.
- ▶ Do not cover the warm air outlet openings of the appliance.

Before the first use

- Remove all packaging materials and transport restraints from the appliance.

NOTICE

- ▶ When you first use it, it may temporarily generate a light odour. This is normal and completely harmless.

Electrical connection

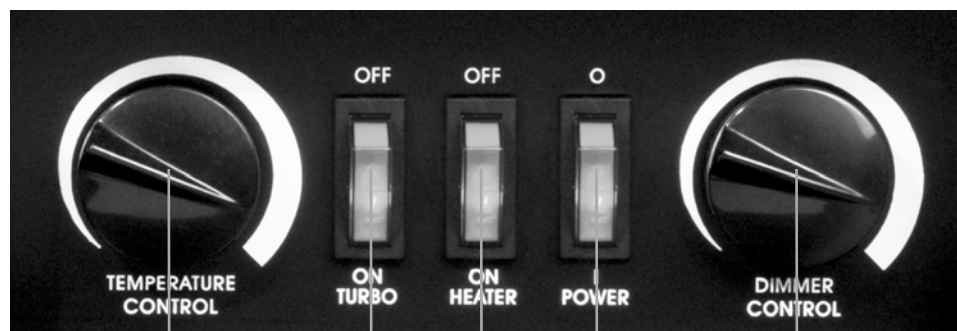
For a safe and correct operation of the appliance, take note of the following instructions regarding the electrical connection:

- Before you connect the appliance, compare the connection data (voltage and frequency) on the plate with that of your electricity supplier. This data must tally, in order to avoid damage to the appliance.
- Ensure that the power cable is undamaged and that it is not placed over hot surfaces and/or sharp edges.
- The connecting cable must not be taut.

Operating components

NOTICE

- ▶ The operating elements are on the front of the appliance, above right and behind the ventilation grille.
- ▶ To operate them, fold the ventilation grille forward.



④

③

②

①

⑤

- ① ON/OFF switch (Flames)
- ② ON/OFF switch (Heating, level 1)
- ③ ON/OFF switch (Heating, level 2)
- ④ Temperature control (Thermostat)
- ⑤ Dimmer (for flame lamps)

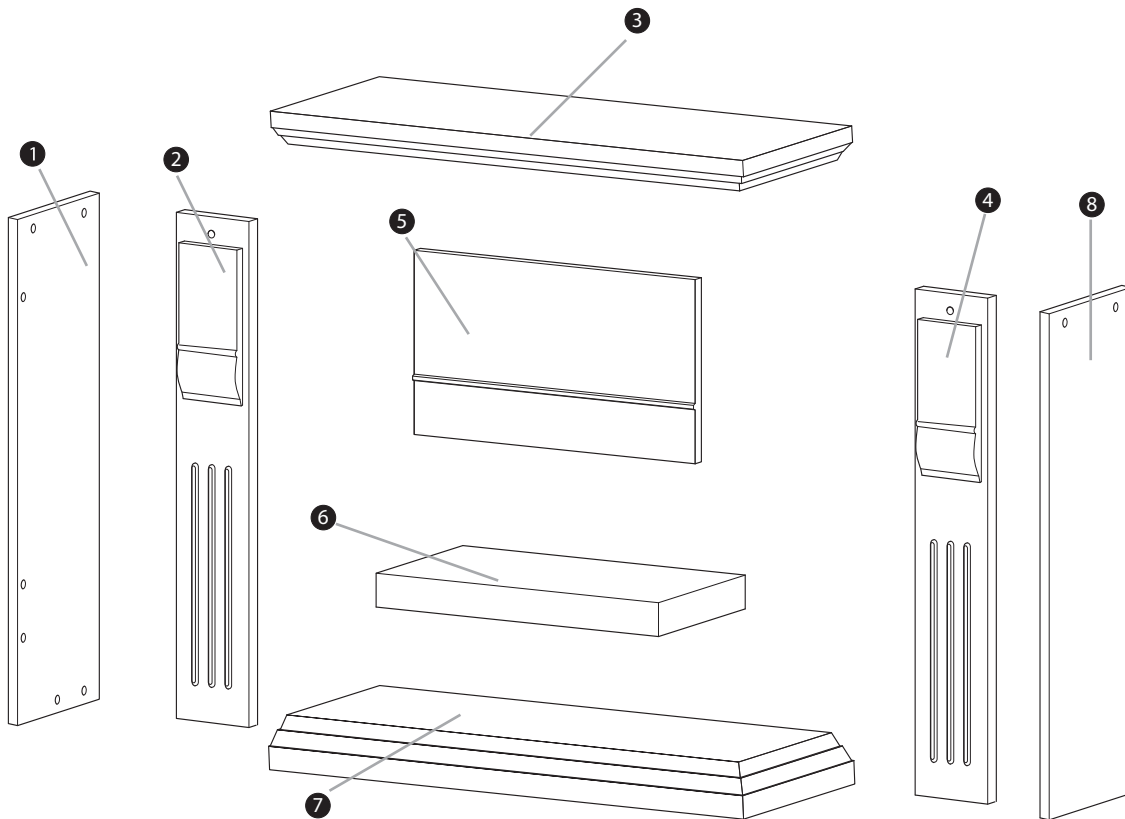
Set up

Before the appliance can be set up, the fire surround must be assembled.

NOTICE

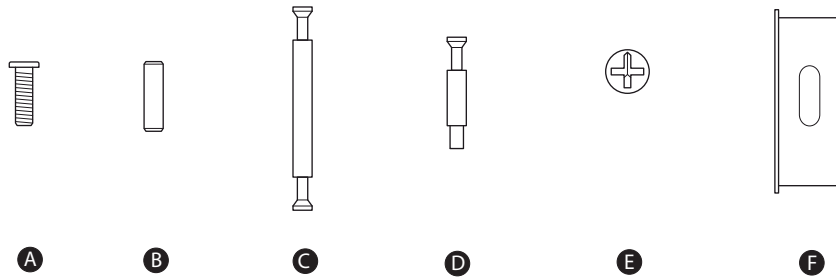
- ▶ Check the contents to make sure everything is there and for visible damage.
- ▶ Firstly, become familiar with all parts involved in the assembly.

Individual parts of the electric fireplace



- ① left side panel
- ② left front panel
- ③ top covering panel
- ④ right front panel
- ⑤ centre front panel
- ⑥ Base plate
- ⑦ Floor plate
- ⑧ right side panel

Screws and assembly material



No.:	Designation:	Number:
A	Screws 6 x 25 mm	17
B	Wood plugs	8
C	Double locking pin	4
D	Single locking pin	6
E	Adapter sleeve	14
F	Fixing device	2

NOTICE

- You require a screwdriver for the assembly; this is not supplied.

The assembly of the fire surround is described in detail in the following.

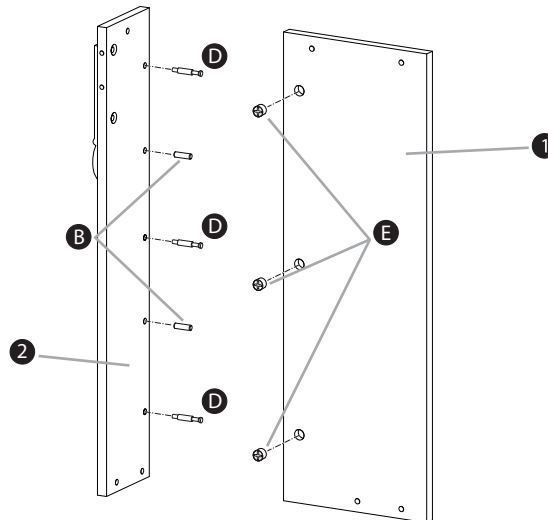
NOTICE

- Carry out the assembly step by step in the order as described.

Assembly

Step 1

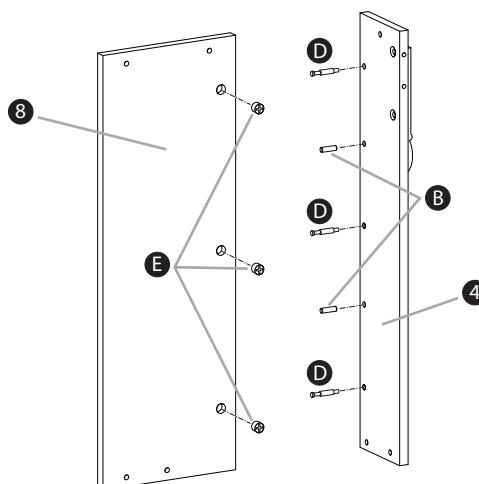
- ◆ Screw three single locking pins **D** with a screwdriver into the prepared holes on the left front panel **2**.
- ◆ Place two wood plugs **B** into the holes of the front panel **2**.
- ◆ Insert three adapter sleeves **E** into the three large holes of the left side panel **1**. Thereby, with the screwdriver line up the adaptor sleeves **E** so that the arrow on the adaptor sleeves points to the outer edge of the side panel **1**.



- ◆ Then, bring the front panel **2** and side panel **1** together at right angles, so that the locking pins **D** enter the holes on the left edge of the side panel **1**.
- ◆ When done, screw all three adapter sleeves **E** to the right with the screwdriver until the locking pins are clamped into the adapter sleeves and the panels are seated firmly together and at right angles.

Step 2

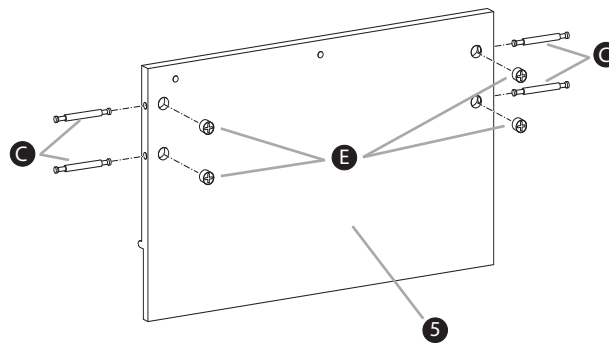
- ◆ Screw three single locking pins **D** with a screwdriver into the prepared holes on the right front panel **4**.
- ◆ Place two wood plugs **B** into the holes of the front panel **4**.
- ◆ Insert three adapter sleeves **E** into the three large holes of the right side panel **8**. Thereby, with the screwdriver line up the adaptor sleeves **E** so that the arrow on the adaptor sleeves points to the outer edge of the side panel **8**.



- ◆ Then, bring the front panel ④ and side panel ⑧ together at right angles, so that the locking pins ① enter the holes on the right edge of the side panel.
- ◆ When done, screw all three adapter sleeves ② to the right with the screwdriver until the locking pins are clamped into the adapter sleeves and the panels are seated firmly together and at right angles.

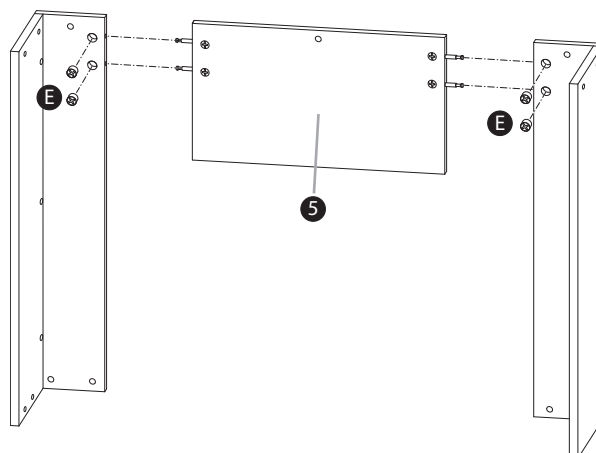
Step 3

- ◆ Take the centre front panel ⑤ and lay it face down.
- ◆ Then place four adapter sleeves ② in the four large holes. Turn the adapter sleeves with the screwdriver so that the arrows on the adapter sleeves each point to the outer edge of the centre front panel ⑤.
- ◆ Insert four double locking pins ③ in the upper holes on the front sides of the panel and turn the adapter sleeves ② with the screwdriver to the right until the locking pins are firmly secured.



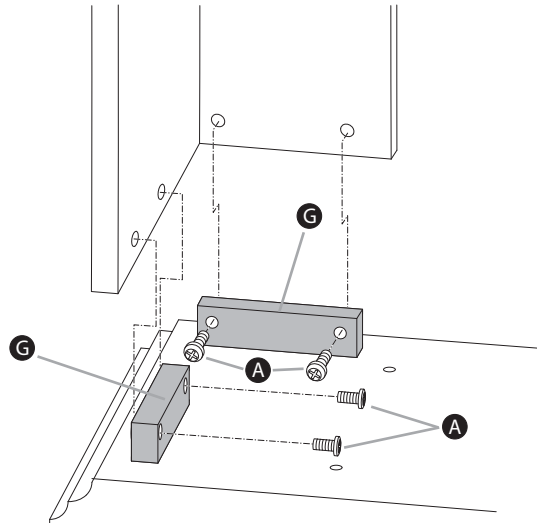
Step 4

- ◆ Now connect the so prepared centre front panel ⑤ with the side panels prepared in steps 1 and 2.
- ◆ For this, insert two adapter sleeves ② in the large holes in the side panels. Turn the adapter sleeves ② with the screwdriver so that the arrows on the adapter sleeves each point to the outer edge of the side panels.
- ◆ Then, guide each of the double locking pins ③ of the centre front panel ⑤ into the corresponding holes in the edges of the side panels.
- ◆ When done, turn all four adapter sleeves ② in the centre front panel ⑤ with the screwdriver to the right, until all parts are at right angles to each other and firmly tightened.



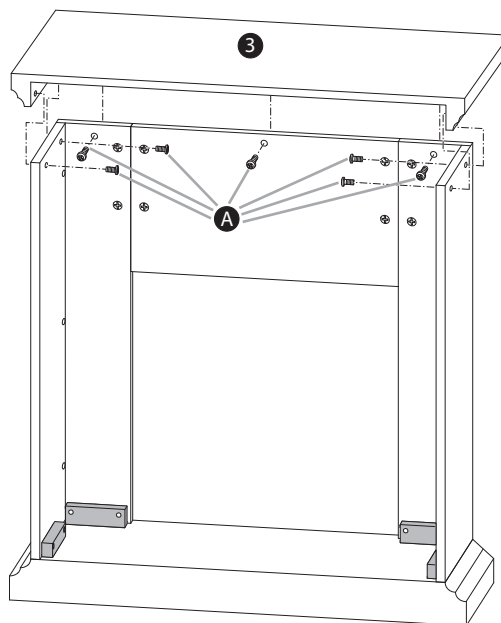
Step 5

- ◆ Place the floor plate 7 on the floor.
- ◆ Now take the previously assembled unit and carefully place it on the floor plate as shown in the following diagramme.
- ◆ Then screw together the assembled unit with the connection blocks G on the floor plate 7. For this, use 8 screws of the type A. (2 screws per connection block).



Step 6

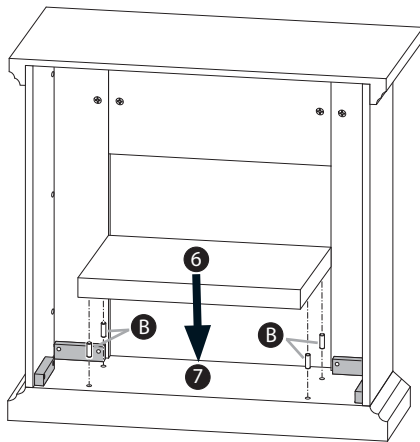
- ◆ Take the top covering panel 3 and place it on the preassembled unit.
- ◆ Secure the top covering panel 3 from the inner side of the unit with 7 screws of the type A.



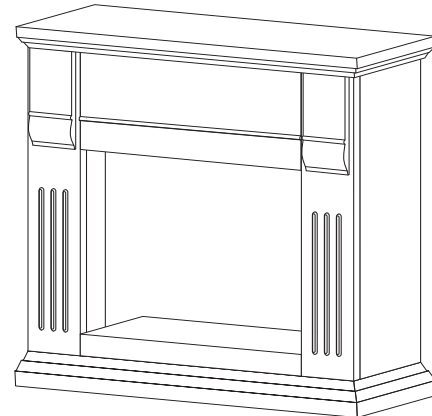
Step 7

- ◆ Take the base plate **6** and insert 4 wood plugs **B** into the holes of the plate underside.
- ◆ Then place the base plate **6** on the floor plate **7** so that the four wood plugs fit into the four holes in the floor plate.

Rear view



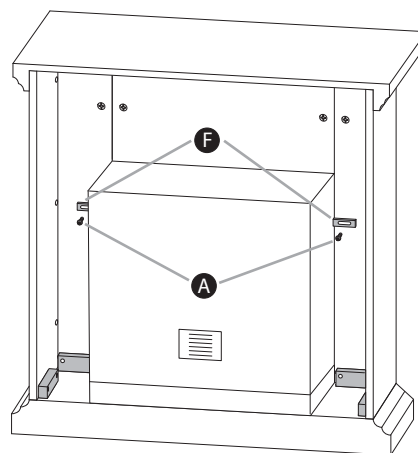
Front View



Installing the appliance in the fire surround

To finalise, install the appliance in the assembled fire surround.

- ◆ Place the appliance carefully on the base plate (from the rear of the fire surround) and then push it gently forward as far as it will go into the opening of the fire surround.
- ◆ Secure the appliance to the fire surround at the edges with the fixing devices **F** and the screws **A**.
- ◆ Insert the plug into the mains power socket.



WARNING

Improper laying of the power cable can cause damage to people and property!

Pay heed to the following safety information to avoid these risks:

- ▶ Do not bend or clamp the power cable and do not lay it tautly.
- ▶ Do not run the power cable over sharp edges.

Handling and operation

NOTICE

- ▶ See also "Operating Elements" on page 7.

In this chapter you receive important information for the handling and operation of the appliance.

- ◆ Activate the ON/OFF switch ① to turn the unit on. The flame replication lights up. Programme in the desired brightness with the Dimmer ⑤.
- ◆ Then, turn the heater on with the switch ②; the built-in fan starts to run and the heater is working at level 1 (1000 W).
- ◆ Activate the additional switch ③; the heating is now working at level 2 (2000 W).
- ◆ Using the thermostat ④, you can set it to the desired temperature. The heat settings switch themselves off after reaching the set temperature range, and switch back on when it becomes cooler.

Switching the appliance on and off

- ◆ Activate the ON/OFF switch ① to turn the appliance on.
- ◆ Activate the ON/OFF switch ① once again to turn the appliance off.

Maintenance

The maintenance of the appliance is limited to occasional external cleaning.

NOTICE

- ▶ Keep the appliance, and in particular the ventilation grille, free from dust and dirt.

Changing the light bulbs

DANGER

Risk of electrocution!

Contact with electricity can be fatal!

Pay heed to the following safety information to avoid the risks of injury:

- ▶ Switch the appliance off.
- ▶ Before changing the bulb, unplug the appliance from the mains power source.

WARNING

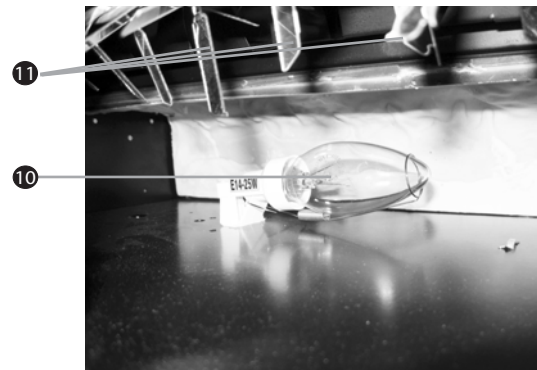
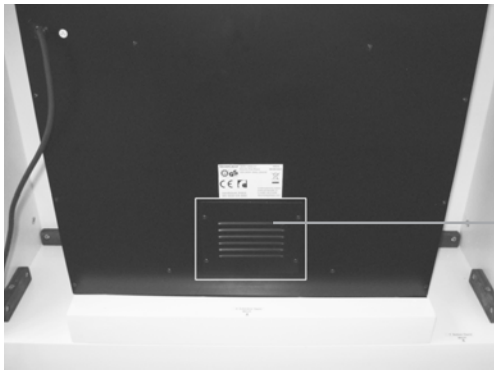
Risk of injury from sharp edges!

When reaching in through the housing opening, there is a risk of injury from the sharp edges on sheet metal housing and the reflector mirrors.

Pay heed to the following safety information to avoid these risks:

- ▶ Do not touch the edges of the housing and the reflector mirror ①.
- ▶ Wear protective gloves if necessary.

- ◆ Switch the appliance off.
- ◆ Pull the plug from the mains power socket.
- ◆ Loosen the four screws on the rear panel and remove the metal ventilation panel ⑨.
- ◆ Carefully replace the defective bulb ⑩ in the light shaft.
- ◆ Screw the metal ventilation panel ⑨ back onto the appliance rear.



Cleaning

⚠ WARNING

Observe the following safety information to avoid risks and property damage:

- ▶ Clean the appliance **ONLY** when it is switched off and cold.

IMPORTANT

Possible damage to the appliance.

Penetrating moisture can cause damage to the appliance.

- ▶ In order to avoid irreparable damage, when you are cleaning the appliance ensure that moisture cannot get inside it.

- Clean the housing exclusively with a soft damp cloth and a mild dishwashing liquid.

Troubleshooting

In this chapter you will receive important information for the localisation of malfunctions and remedies for them. Observe these instructions in order to avoid risks and damage.

⚠ WARNING

Observe the following safety information to avoid risks and property damage:

- ▶ Repairs to electrical appliances may only be carried out by specialists who have been trained by the manufacturer. Considerable risk for the user and damage to the appliance can occur as a result of incorrect repairs.

Malfunction causes and remedies

The following table will help with localising and remedying minor malfunctions:

Defect	Possible cause	Solution
The flame replication does not light up.	The appliance is not switched on.	Switch the appliance on.
	The plug is not inserted.	Insert the plug into the mains power socket.
	The mains power socket does not supply voltage	Check the fuses
	The bulbs are defect.	Replace the defective bulbs.
The appliance does not heat.	Switch ① is not turned on.	Switch ① on.
	Switch ② is not turned on.	Switch ② on.
	Switch ③ is not turned on.	Switch ③ on.
	Heating level control defective	Inform Customer Services.
The fan does not run.	Switch ① is not turned on.	Switch ① on.
	Switch ② is not turned on.	Switch ② on.
	Fan defect.	Inform Customer Services.
The heating is not switched off.	Thermostat ④ falsely adjusted.	Set the thermostat ④ at the required temperature.
	Temperature control ④ defect.	Inform Customer Services.

NOTICE

- If you cannot solve the problem with the aforementioned methods, please contact Customer Services.

Storage/Disposal

Storage

Disconnect the plug if you are not intending to use the appliance for a long period.

Store the appliance at a dry locality.

Disposal of the appliance



Do not dispose of the appliance in your normal domestic waste. This product is subject to the provisions of European Directive 2002/96/EC-WEEE (Waste Electrical and Electronic Equipment).

Dispose of the appliance through an approved disposal centre or at your community waste facility. Observe the currently applicable regulations. In case of doubt, please contact your waste disposal centre.

Appendix

Technical data

General		
Input voltage	220 - 240	V ~
Mains frequency	50	Hz
Power consumption		
Heating level 1	1000	W
Heating level 2	2000	W
Bulb		
2 x Bulbs E14	2 x 25	W
Ambient temperature	+5 to +45	°C
Humidity (no condensation)	5 to 90	%
Measurements (W x H x D):	100 x 100 x 39	cm
Weight	approx. 45	kg

Notes on the EC Declaration of Conformity

This appliance complies with, in regard to conformance to the basic requirements and other relevant regulations, the European Directive Low Voltage Directive 2006/95/EC as well as the European Directive for Electromagnetic Compatibility 2004/108/EC.

The complete original declaration of conformity can be obtained from the importer



Warranty

You receive a 3-year warranty for this appliance as of the purchase date. The appliance has been manufactured with care and meticulously examined before delivery.

Please retain your receipt as proof of purchase. In the case of a warranty claim, please make contact by telephone with our Service Department. Only in this way can a post-free despatch for your goods be assured.

NOTICE

- ▶ The warranty is valid only for material or manufacturing defects not, however, for transport damage, wear and tear or for damage to breakable parts, i.e. switches or rechargeable batteries..

This product is for private use only and is not intended for commercial applications. The warranty becomes void in the event of abusive and improper handling, use of force and internal tampering not carried out by our authorised service branch.

Your statutory rights are not restricted in any way by this warranty. The warranty period will not be extended as a result of repairs made under warranty. This applies also to replacement and repaired parts.

Damages and defects potentially present at the time of purchase must be reported immediately after unpacking or, at the very least, two days after the date of purchase.

Repairs carried out after expiry of the warranty period are subject to payment.

Service

GB DES UK LTD

Tel.: 0871 5000 700 (£ 0.10 / minute)

e-mail: support.uk@kompernass.com

IE Kompernass Service Ireland

Tel: 1850 930 412 (0,082 EUR/Min.)

Standard call rates apply. Mobile operators may vary.

e-mail: support.ie@kompernass.com

Importer

KOMPERNASS GMBH

BURGSTRASSE 21

44867 BOCHUM, GERMANY

www.kompernass.com