

## RANGE COMPOSITION

N 700: a range of over 100 models for the professional caterer designed to guarantee the highest level of performance, reliability, energy saving, safety standards and ergonomic operation. These concepts are reflected in the total modularity of the range that ensures numerous configurations, either free-standing or bridged. N 700 demonstrates how advanced technology can satisfy the needs of the professional caterer.



# N 700

## REFRIGERATED AND FREEZER BASES **ZANUSSI** PROFESSIONAL

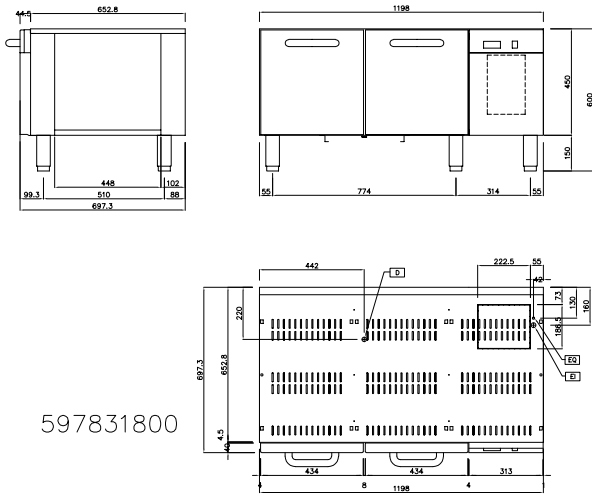
### FUNCTIONAL AND CONSTRUCTION FEATURES

- ◆ Front panel in stainless steel with Scotch Brite finish.
- ◆ Feet in stainless steel adjustable in height 50mm.
- ◆ Large stainless steel drawers on

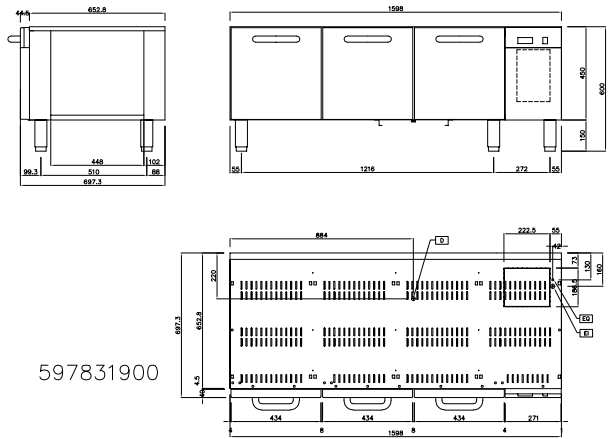
- telescopic runners
- ◆ Thermostat, defrost indicator light and ON/OFF switch.
- ◆ Internal temperature ranges from -2° to +10°C (refrigerated bases) and from -15° to -20°C (freezer).
- ◆ Built-in compressor unit.
- ◆ R404a Refrigerant.
- ◆ All top models (with the exception

of gas and electric char-grills and lava char-grill tops) can be easily mounted on the refrigerated or freezer bases.

TECHNICAL DATA					
CHARACTERISTICS	MODELS				
	KVRE1201 178179	KVRE1200 178180	KVRE1601 178181	KVRE1600 178182	KVFE1201 178178
Power supply	Electric	Electric	Electric	Electric	Electric
Operating temperature - min/max °C	-2/10	-2/10	-2/10	-2/10	-15/-20
Gross capacity (D.I.N. 8952) - l.	152	152	240	240	152
External dimensions - mm					
width	1200	1200	1600	1600	1200
depth	700	700	700	700	700
height	600	600	600	600	600
height adjustment	50	50	50	50	50
Min/Max internal humidity - %	75/90%	75/90%	75/90%	75/90%	75/90%
N° and type of door		2		3	
N° and type of drawers	2, GN 1/1		3, GN 1/1		2, GN 1/1
N° defrost in 24 hrs.	4/15'	4/15'	4/15'	4/15'	Automatic
Refrigerant type	R404a	R404a	R404a	R404a	R404a
Refrigerant quantity - g.	400	400	400	400	400
Refrigeration power - W	510	510	510	510	410
Power - kW					
installed-electric	0.5	0.5	0.5	0.5	0.6
Net weight - kg.	95	95	110	110	95
Supply voltage	230 V, 1N, 50	230 V, 1N, 50	230 V, 1N, 50	230 V, 1N, 50	230 V, 1N, 50



597831800



597831900

**LEGEND**

	KVRE1201 178179	KVRE1200 178180	KVRE1601 178181	KVRE1600 178182	KVFE1201 178178
D - Water drain	1/2"	1/2"	1/2"	1/2"	1/2"
EI - Electrical connection	230 V, 1N, 50	230 V, 1N, 50	230 V, 1N, 50	230 V, 1N, 50	230 V, 1N, 50
SO - Condensation outlet	●	●	●	●	●



**OPTIONAL ACCESSORIES**

ACCESSORIES	MODELS				
	KVRE1201 178179	KVRE1200 178180	KVRE1601 178181	KVRE1600 178182	KVFE1201 178178
2 SIDE COVERING PANELS FOR TOP-D=700MM	206277	206277	206277	206277	206277



www.zanussiprofessional.com