

Gun Rack Assembly Instructions



Treker NT & ST Series

Manual No. 701-148M

Before You Start



When you see this symbol, the subsequent instructions and warnings are serious - follow without exception. Your life and the lives of others depend on it!

IMPORTANT: Before you begin, read these instructions and check to be sure all parts and tools are accounted for. Please retain these installation instructions for future reference and parts ordering information.

Your Gun Rack is exclusively designed for your Land Pride NT & ST Treker. Please read these installation instructions and your NT & ST Treker Operator's Manual thoroughly before beginning. Especially read information relating to safety concerns. Also included in the Operator's Manual is important information on operation, adjustment, troubleshooting, and maintenance for this attachment (some manual sections do not apply to all accessories).

General Information

These assembly instructions apply to the following Gun Rack Accessories listed below:

701-148A Gun Rack

Further Assistance

Your dealer wants you to be satisfied with your new Gun Rack. If for any reason you do not understand any part of this manual or are not satisfied with the service received, the following actions are suggested:

1. Discuss the matter with your dealership service manager making sure he is aware of any problems you may have and that he has had the opportunity to assist you.
2. If you are still not satisfied, seek out the owner or general manager of the dealership, explain the problem and request assistance.
3. For further assistance write to:

Land Pride Service Department
1525 East North Street
P.O. Box 5060
Salina, Ks. 67402-5060

E-mail address
lpservicedept@landpride.com

Assembly Instructions

Assembly Instructions

A detailed listing of parts for this accessory kit is provided on page 3. Use the list as a checklist to inventory parts received. Please contact your local Land Pride dealer for any missing hardware.



CAUTION

! DO NOT CARRY LOADED GUNS IN THE GUN RACK!

! CHECK STATE AND LOCAL LAWS CONCERNING THE TRANSPORTING OF WEAPONS.

! BE AWARE THAT GUNS OR OTHER OBJECTS CARRIED IN THE GUN RACKS ARE

SUSCEPTIBLE TO CONTACT WITH STATIONARY OBJECTS AS THE ATV IS MOVING.

THIS COULD CAUSE LOSS OF CONTROL OF THE ATV, RESULTING IN INJURY OR

DEATH. USE CAUTION WHEN USING THE GUN RACKS.

! TO MINIMIZE THE STRESS PUT ON THE GUN RACK OR OTHER ATTACHING POINTS

OF THE ATV, JUDGE THE ATV GROUND SPEED IN ACCORDANCE WITH THE

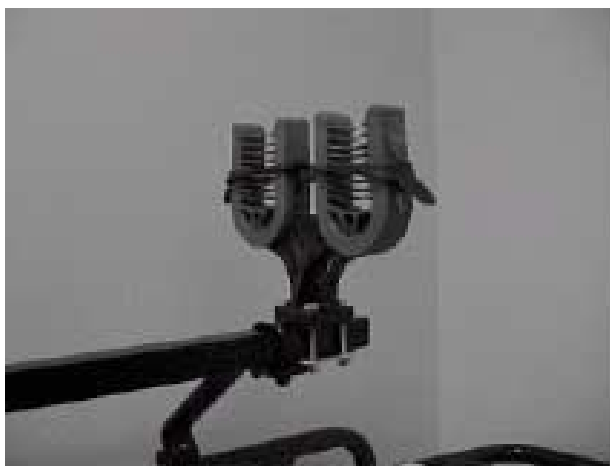
ROUGHNESS OF THE TERRAIN.

PLEASE REFER TO THE PICTURES BELOW AND THE EXPLODED PARTS DIAGRAM FOR

IDEAS ON METHODS OF INSTALLATION. ALSO NOTE THERE IS AN EXTRA SET OF U-BOLT

HOLES IN THE SUPPORT BARS (#2). THESE ARE TO PROVIDE ADDITIONAL CHOICES IN

MOUNTING. Licensed by Innovative Products, Inc. Under Pats #5,078,279 #5,915,572 Des. #386,304E

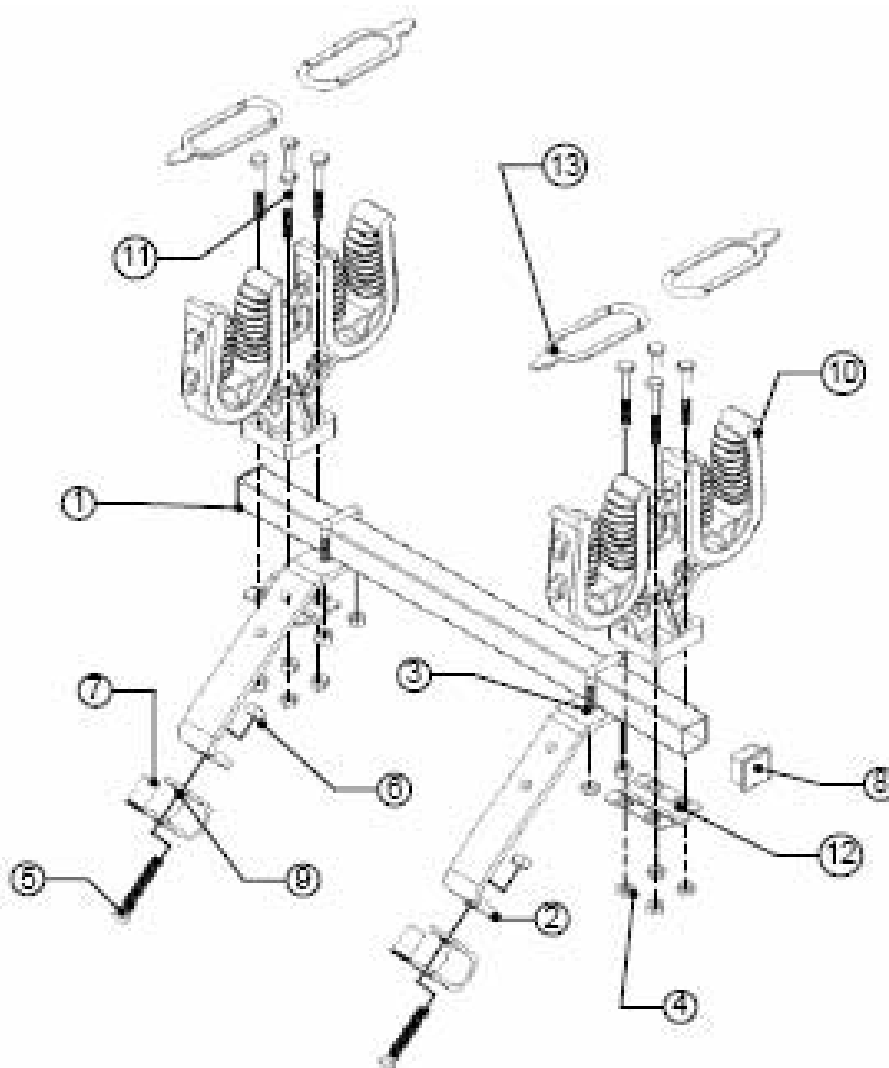


3

Listing of Parts

Kit No. 701-008A GUN RACK

Item	Part No.	Part Description	Qty
	701-008A	GUN RACK	
1	GR101	18" CROSS TUBE	
2	GR102	SUPPORT BARS	
3	UB14-116158SQ	1/4"X1 1/16"X1 5/8" SQ. U-BOLT	
4	803-255C	NUT HEX NYLOCK 1/4-20	
5	802-199C	RHSNB 5/16-18X2 GR5	
6	803-084C	NUT HEX NYLOCK 5/16-18 PLT	
7	UCS78	7/8" U-CLAMP SPACER	
8	CAPSQ	TUBE PLUGS	
8	UC1	1" U-CLAMP	
10	GR203	TOWER W/FIN GRIP CLIPS	
11	802-152C	HHCS 1/4-20X2 GR5	
12	GR205	HOLDER BRACKET	
13	GR202	RUBBER SNUBBER	





Corporate Office: P.O. Box 5060
Salina, Kansas 67402-5060 USA
www.landpride.com
