

ツチアスオ

Radio Cassette Player

イナホウ

Operating Instructions

WALKMAN カセット

WALKMAN is a registered trademark of Sony Corporation.

WM-FX665/FX663/FX661

Sony Corporation © 1998 Printed in Malaysia

トアア

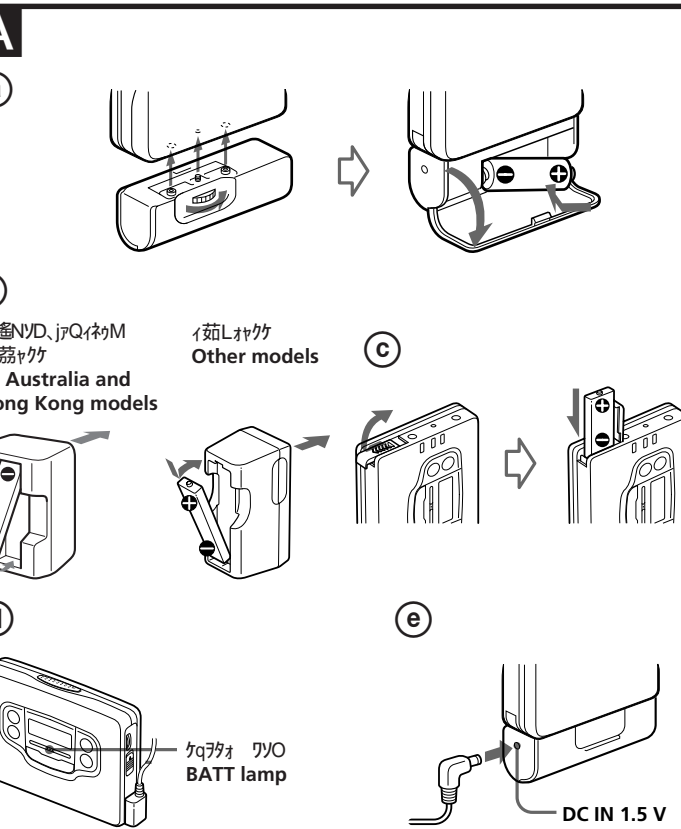
ヤイ、ホムクマシ。MSアON-、S、B、カシッ B/

WARNING

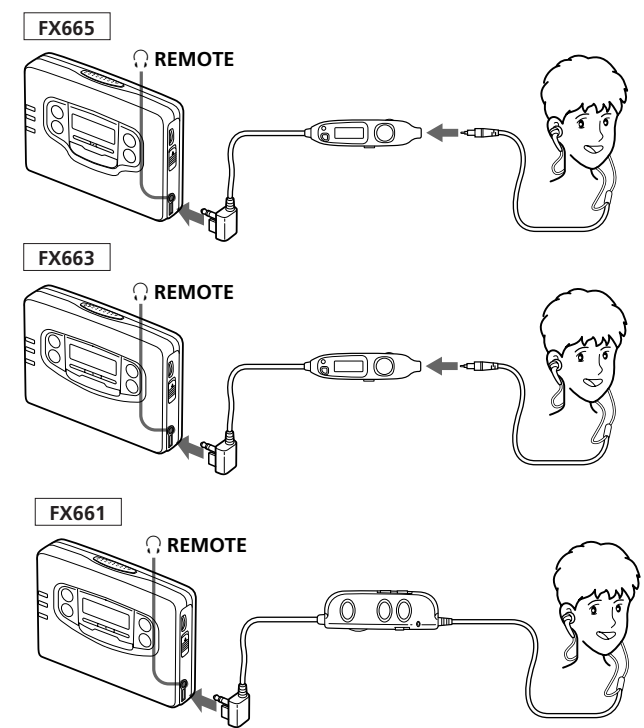
To prevent fire or shock hazard, do not expose the unit to rain or moisture.

ワ、ウ WWM-FX665、MWM-FX663、WWM-FX661-、M、S、B、カシッ B/

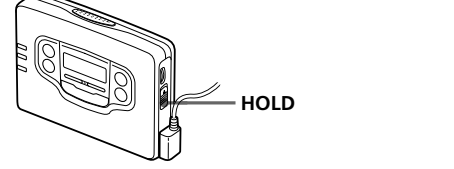
The instructions in this manual are for WM-FX665, WM-FX663 and WM-FX661. Before you start reading, check your model number. WM-FX665 is the model used for illustration purposes. Any differences in operation are clearly indicated in the text, for example, "FX665 only".



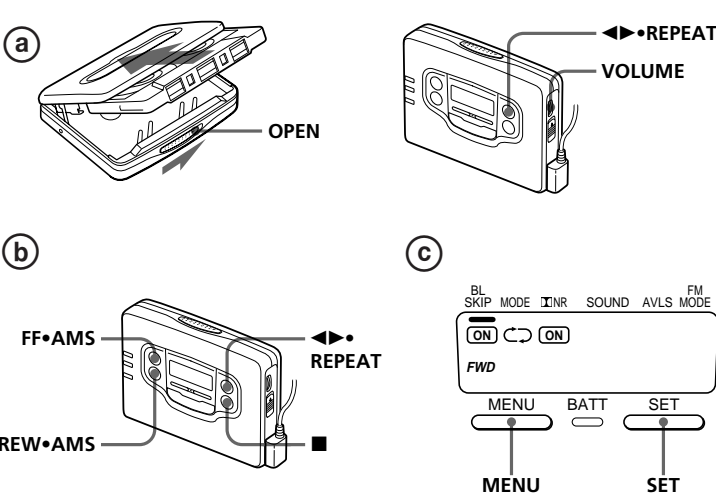
B



C



D



トア

ソニー株式会社 Sony 社 WM-FX665/FX663/FX661 イナホウ... 取扱説明書

Table with 2 columns: Model and Features. Lists models like FX665, FX663, FX661 and their respective features.

注意 本機は、雨や湿気、直射日光にさらさないでください。

リモコンの電池を交換するときは、必ず向きを正しく取り替えてください。

- 1. 電源スイッチをONにして、電源ボタンを押します。
2. 再生ボタンを押します。
3. 再生ボタンを押して、再生を再開します。

トア

本機は、雨や湿気、直射日光にさらさないでください。また、高温多湿の場所や直射日光の当たる場所に置かないでください。

Table with 2 columns: Model and Features. Lists models like FX665, FX663, FX661 and their respective features.

注意 本機は、雨や湿気、直射日光にさらさないでください。

リモコンの電池を交換するときは、必ず向きを正しく取り替えてください。

- 1. 電源スイッチをONにして、電源ボタンを押します。
2. 再生ボタンを押します。
3. 再生ボタンを押して、再生を再開します。

Welcome!

Thank you for purchasing the Sony WM-FX665/FX663/FX661 Radio Cassette Player. Some features are: You can enjoy low bass sounds by the powerful headphone. You can choose from 2 different emphasizing tones: MB (MEGA BASS) and GRV (GROOVE) to adjust to your favorite sound.

Getting Started

Preparing a Power Source

Choose one of the three power sources below; dry battery, rechargeable battery, and mains.

Dry Battery (see Fig. A-B)

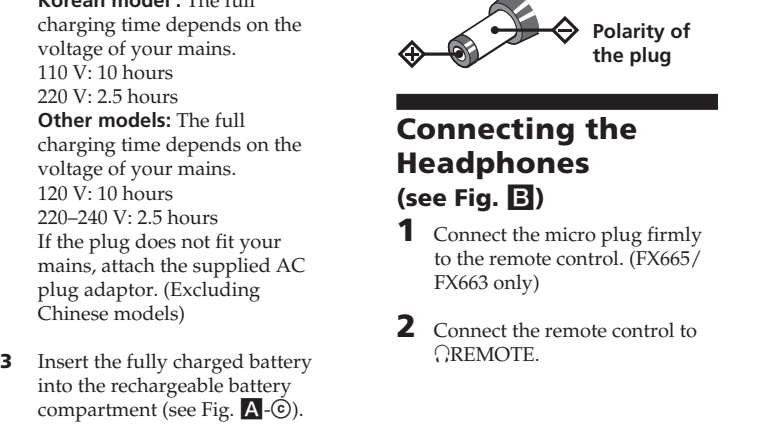
Attach the supplied battery case, and then insert one R6 (size AA) battery with correct polarity.

Rechargeable Battery (see Fig. A-C)

- 1. Insert the rechargeable battery (NC-6WM) into the charger with correct polarity.
2. Plug in the charger to the mains.

House Current (mains) (see Fig. A-D)

Remove the rechargeable battery if inserted and attach the battery case. Connect the AC power adaptor AC-E15HG (not supplied) to the DC IN 1.5 V of the battery case and to the mains. Do not use any other AC power adaptor.



You can charge the battery about 300 times.

- 3. Wear the "L" marked side to the left ear and "R" marked side to the right ear. If the earphones do not fit to your ears or the sound is unbalanced, turn around the earphones a little to fit to your ears firmly.

Releasing HOLD (see Fig. C)

The HOLD function locks the Walkman to prevent from operating when you accidentally press a button. If the Walkman is locked, unlock it before operating.

- 1. Slide HOLD to the opposite direction of the arrow.

To lock the Walkman

Slide HOLD in the direction of the arrow.

To lock and unlock the remote control

See "Using the Remote Control".

Operating the Walkman

Playing a Tape (see Fig. D-E)

The Auto Tape Selector automatically selects the type (normal (TYPE I), CrO2 (TYPE II) or metal (TYPE IV)) for playback.

- 1. Insert a cassette.
2. Press <▶> REPEAT to start playing then adjust the volume.

When adjusting the volume on the Walkman

Set the VOL control on the remote control at maximum.

When adjusting the volume on the remote control

Set the VOLUME control on the Walkman to around 6.

To operate using the remote control

See "Using the Remote Control".

To play a tape recorded with Dolby* NR system (see Fig. D-F)

Press MENU repeatedly to set the cursor to BL NR (Dolby noise reduction) in the display. Then press SET to show "ON".

*Dolby noise reduction manufactured under license from Dolby Laboratories Licensing Corporation. "DOLBY" and the double-D symbol are trademarks of Dolby Laboratories Licensing Corporation.

play the other side from the beginning (Skip Reverse function) REW*AMS for two seconds or more during stop

* Automatic Music Sensor

Note on Beeps during AMS operations

The beeps differ in relation to the track number being searched. When finding the beginning of the next 3 tracks during AMS operations, beeps "••••" (beep followed by three long beeps) are emitted repeatedly. Likewise, when finding the beginning of the previous 2 tracks, beeps "•••••" are emitted repeatedly. While the remaining tracks are reduced, the number of long beeps are reduced accordingly.

To skip a long blank space between musics. (BL SKIP* function) (see Fig. D-G)

Press MENU repeatedly to set the cursor to BL SKIP in the display. Then press SET to show "ON".

To select playback mode (see Fig. D-H)

Press MENU repeatedly to set the cursor to MODE in the display. Then press SET to select the desired mode.

Table with 2 columns: To play and Select. Shows how to operate different playback modes like REPEAT, FF, and REW.

Note on AMS, REPEAT Single Track and BL SKIP

To operate the AMS and the REPEAT Single Track functions, you need a blank of 4 seconds or longer between the tracks. For the BL SKIP function, you need a blank of 12 seconds or longer. Therefore, if there is noise between the tracks, these functions will not detect the blank and will not operate. Likewise, if the recording level is moderately low within a track, these functions may inaccurately operate.

To play a tape recorded with Dolby* NR system (see Fig. D-I)

Press MENU repeatedly to set the cursor to BL NR (Dolby noise reduction) in the display. Then press SET to show "ON".

Table with 2 columns: To play and Select. Shows how to operate different playback modes like REPEAT, FF, and REW.

(continued)

