

ST640 / ST640-S
ST640P / ST640P-S

SmartMount® Universal Tilt Wall Mount for 23" to 46" Flat Panel Screens

Medium sized screens are installed faster than ever with the new ST640. Its open wall plate architecture offers screen placement flexibility and easy access to electrical and cable management. Its exclusive pre-tensioned universal tilt screen adapters deliver the ultimate ease in horizontal screen adjustment and viewing angle flexibility.



Screen size: 23"-46"



Max load: 150lb (68kg)

FEATURES

- Universal mount fits screens with mounting patterns up to 18" W x 12.94" H (458 x 329mm)
- Open wall plate architecture allows for total wall access, increasing electrical access and cable management options
- Adjustable up to 15° of forward tilt and -5° backward tilt for optimal viewing angle
- Pre-tensioned universal tilt screen adapters allow for tilt adjustment without the use of tools
- Easy-grip lever locks the screen position into place
- Optional IncreLock™ feature offers fixed angles of -5°, 0°, 5°, 10°, 15°
- Horizontal screen adjustment of up to 6" (152mm) (depending on screen model) for perfect screen placement
- Universal screen adapters easily hook onto wall plate for fast installation
- Mounts to wood studs, concrete, cinder block or metal studs (metal stud accessory required)
- Comes with Peerless' Sorted-for-You™ fastener pack with all necessary screen attachment hardware
- Integrated security options available
- UL listed

OPEN ARCHITECTURE

Open wall plate architecture for flexible cable management and wall placement

INCRELOCK

Optional tilt lock at 5° increments



SCREEN ANGLE ADJUSTMENT

Easy-grip lever locks tilt angle into place without the use of tools

IDEAL VIEWING ANGLE

Pre-tensioned tilt mechanism allows for one-touch tilt adjustment



Adjustable +15/-5° tilt



Model Numbers

WARRANTY: Limited 5-year

ST640(-S)
ST640P(-S)

Universal Tilt Wall Mount for 23" to 46" Flat Panel Screens - security models
Universal Tilt Wall Mount for 23" to 46" Flat Panel Screens - standard models

Product Specifications

	DIMENSIONS (W x H x D)	PRODUCT WEIGHT	LOAD CAPACITY	FINISH	AVAILABLE COLORS
ST640(P)(-S)	19.37" x 13.75" x 2.6" (492 x 349 x 67mm)	6.32lb (2.86kg)	150lb (68kg)	Scratch resistant fused epoxy	ST640(P): Black ST640(P)-S: Silver

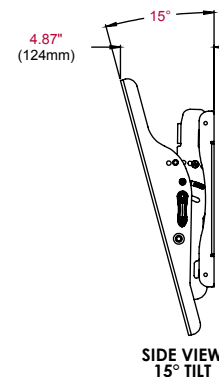
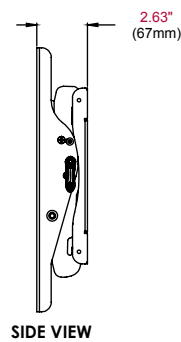
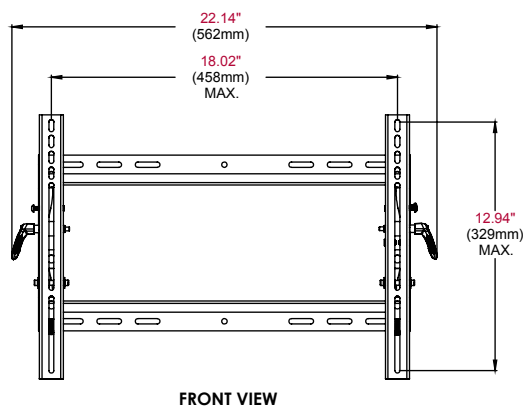
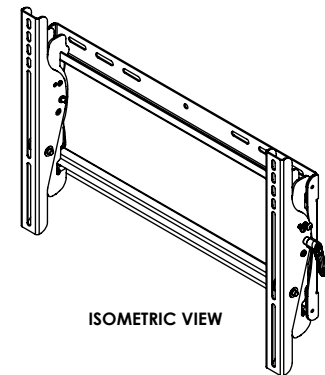
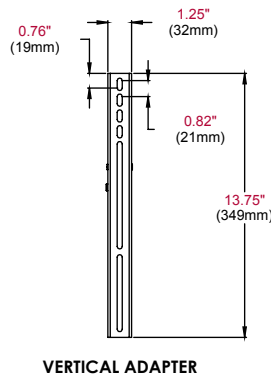
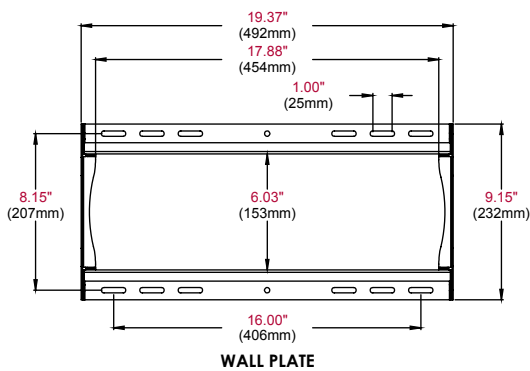
Package Specifications

	PACKAGE SIZE (W x H x D)	PACKAGE SHIP WEIGHT	PACKAGE UPC CODE	PACKAGE CONTENTS	UNITS IN PACKAGE
ST640(P)(-S)	20.37" x 10.06" x 3.5" (518 x 256 x 89mm)	8.5lb (3.85kg)	ST640: 735029235699 ST640-S: 735029235712 ST640P: 735029235705 ST640P-S: 735029235729	Wall plate, universal screen adapters, mounting and screen attachment hardware	1

Accessories

ACC415: 4-pack Metal Stud Fastener Kit
ACC309: Video Conference Shelf

All dimensions = inch (mm)



ARCHITECTS SPECIFICATIONS

The Smartmount® Universal Tilt Wall Mount shall be a Peerless model ST640 and shall be located where indicated on the plans. It shall be constructed of heavy gauge cold rolled steel and finished with scratch resistant Black or Silver Fused Epoxy. Assembly and installation shall be done according to instructions provided by the manufacturer.