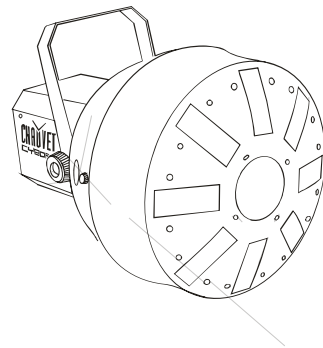


CH-258 Cyborg™

USER MANUAL



Chauvet, 3000 N 29th Ct, Hollywood, FL 33020 U.S.A
(800) 762-1084 – (954) 929-1115
FAX (954) 929-5560
www.chauvetlighting.com

TABLE OF CONTENT

TABLE OF CONTENT	2
BEFORE YOU BEGIN	3
WHAT IS INCLUDED	3
UNPACKING INSTRUCTIONS	3
AC POWER	3
SAFETY INSTRUCTIONS	3
INTRODUCTION	4
FEATURES	4
PRODUCT OVERVIEW	4
SETUP	5
LAMP	5
<i>Lamp installation</i>	5
MOUNTING	5
<i>Orientation</i>	5
<i>Rigging</i>	5
OPERATING INSTRUCTIONS	6
<i>Duty Cycle</i>	6
APPENDIX	7
GENERAL MAINTENANCE	7
RETURNS PROCEDURE	7
CLAIMS	7
GENERAL TROUBLESHOOTING	8
LAMP (IN-SERIES) WIRING FOR 230V OPERATION	9
TECHNICAL SPECIFICATIONS	9
TECHNICAL SUPPORT	9

BEFORE YOU BEGIN

What is included

- 1 x Cyborg™ (CH-258)
- Power cord with plug
- 2 x 64514 300w lamp
- Warranty Card & Manual

Unpacking Instructions

Immediately upon receiving a fixture, carefully unpack the carton, check the contents to ensure that all parts are present, and have been received in good condition. Notify the shipper immediately and retain packing material for inspection if any parts appear damaged from shipping or the carton itself shows signs of mishandling. Save the carton and all packing materials. In the event that a fixture must be returned to the factory, it is important that the fixture be returned in the original factory box and packing.

AC Power

To determine the power requirements for a particular fixture, see the label affixed to the back plate of the fixture or refer to the fixture's specifications chart. A fixture's listed current rating is its average current draw under normal conditions. All fixtures must be powered directly off a switched circuit and cannot be run off a rheostat (variable resistor) or dimmer circuit, even if the rheostat or dimmer channel is used solely for a 0% to 100% switch. Before applying power to a fixture, check that the source voltage matches the fixture's requirement.

Check the fixture or device carefully to make sure that if a voltage selection switch exists that it is set to the correct line voltage you will use.

AC Voltage Switch



Not all fixtures have a voltage select switch. Please be sure to connect to the proper voltage.

Warning!

Verify that the power select switch on your unit matches the line voltage applied. All fixtures must be connected to circuits with a suitable Earth Ground.

Safety Instructions



Please read these instructions carefully, which includes important information about the installation, usage and maintenance?



- Please keep this User Guide for future consultation. If you sell the unit to another user, be sure that they also receive this instruction booklet.
- Always make sure that you are connecting to the proper voltage and that the line voltage you are connecting to is not higher than that stated on decal or rear panel of the fixture.
- This product is intended for indoor use only!
- To prevent risk of fire or shock, do not expose fixture to rain or moisture. Make sure there are no flammable materials close to the unit while operating.
- The unit must be installed in a location with adequate ventilation, at least 50cm from adjacent surfaces. Be sure that no ventilation slots are blocked.
- Always disconnect from power source before servicing or replacing lamp or fuse and be sure to replace with same lamp source.
- Secure fixture to fastening device using a safety chain. Never carry the fixture solely by its head. Use its carrying handles.
- Maximum ambient temperature is Ta: 40°. Do not operate fixture at temperatures higher than this.
- In the event of serious operating problem, stop using the unit immediately. Never try to repair the unit by yourself. Repairs carried out by unskilled people can lead to damage or malfunction. Please contact the nearest authorized technical assistance center. Always use the same type spare parts.
- Don't connect the device to a dimmer pack.
- Make sure power cord is never crimped or damaged.
- Never disconnect power cord by pulling or tugging on the cord.
- Avoid direct eye exposure to lamp while it is on.

Caution!

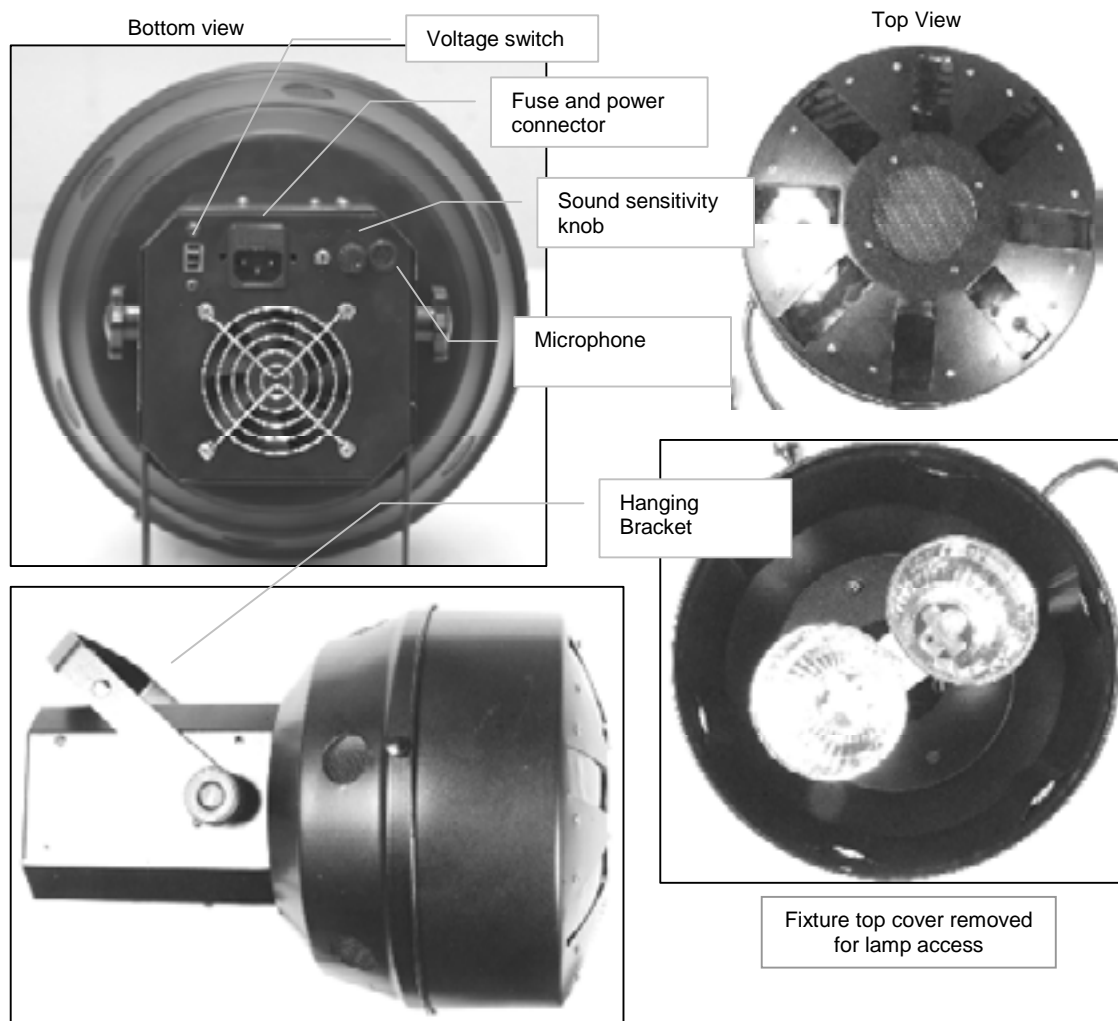
There are no user serviceable parts inside the unit. Do not open the housing or attempt any repairs yourself. In the unlikely event your unit may require service, please contact CHAUVET.

INTRODUCTION

Features

- 8 Multicolored lenses
- 16 rotating beams
- Built-in microphone and sound sensitivity knob
- Beams rotate and criss - cross to the music
- Wide area light coverage
- Fan cooled

Product Overview



SETUP

Lamp

You will need to install a lamp prior to the initial operation of the fixture. Two 64514 300w halogen lamp are included. This lamp is used on both the 115V and 230V versions of the Cyborg™

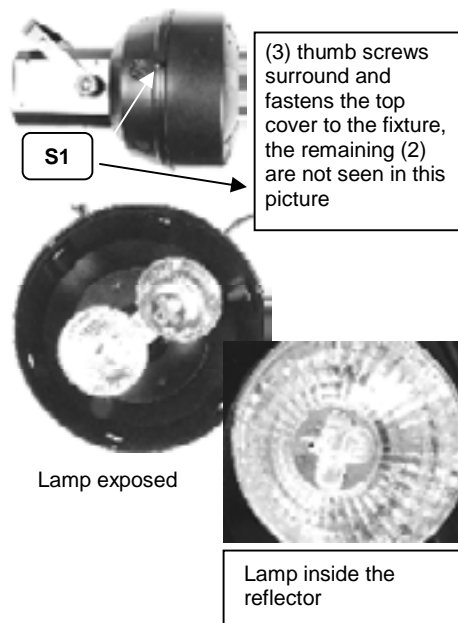
Warning! *When replacing the lamp, please wait 15 minutes after powering down to allow the unit to cool down! Always disconnect from main power prior to lamp replacement.*

For lamp installation in 230V environments please read “Lamp (In-Series) Wiring” in the Appendix section of this manual.

Do not touch the envelope (glass area) of the bulb with bare hands. If this happens, clean the lamp with alcohol and wipe it with a lint free cloth before installation.

LAMP INSTALLATION

- 1) Remove the three (S1) screws that surround the fixture's top cover.
- 2) If replacing the lamp, remove old lamp first.
- 3) Reach in and using a cloth or napkin hold the bulb and pull out of the lamp socket located inside the reflector.
- 4) Replace with a new lamp.
- 5) Replace fixture cover, align the screw holes and fasten the screws.
- 6) No lamp alignment is necessary for this fixture since the lamp is already optimized inside the reflector.



Mounting

ORIENTATION

This fixture may be mounted in any position provided there is adequate room for ventilation.

RIGGING

It is important never to obstruct the fan or vents pathway. Mount the fixture using a suitable “C” or “O” type clamp. Adjust the angle of the fixture by loosening both knobs and tilting the fixture. After finding the desired position, retighten both knobs.

- When selecting installation location, take into consideration lamp replacement access and routine maintenance.
- Safety cables should always be used.
- Never mount in places where the fixture will be exposed to rain, high humidity, extreme temperature changes or restricted ventilation.

Note! *Clamps sold separately!*

Hanging Clamp



OPERATING INSTRUCTIONS

The Cyborg™ is a high output sound activated effect light. It produces an old favored mushroom like light movement but uses a new high polished aluminum reflector for a unique and brilliant beam pattern.

The Cyborg™ is equipped with an internal microphone and a sound sensitivity knob. The user can adjust the sensitivity of the microphone for obtaining optimum sound activated response of its movement.

Whether used in a mobile or permanent environment, you may find it useful to control this effect by means of a relay system for remote switching or to go with DMX control, use the latest in DMX compatible (Dimmer Relay Pack), all available from CHAUVET.

A relay system will allow you to remotely trigger the Cyborg™ and any other non-dimmable effect light from a switch panel. Make sure to use a cable of at least 25 feet to provide ample distance between the control panel and the switch pack for most mobile lighting applications.

If you would prefer to control it directly from your DMX lighting console then we suggest a DMX compatible (relay switch-pack). These devices are an extremely affordable solution to operating non-DMX lighting effects remotely.

Duty Cycle

It is necessary to cycle On and Off this fixture every 15 minutes due to the high temperature created while in use. For every 15 minute period that the fixture is used, allow 15 minutes in the Off position to cool down. Please do not exceed 15 minutes of On operation per cycle.

To learn more about these and other CHAUVET products visit us at www.chauvetlighting.com.



APPENDIX

General Maintenance

To maintain optimum performance and minimize wear fixtures should be cleaned frequently. Usage and environment are contributing factors in determining frequency. As a general rule, fixtures should be cleaned at least twice a month. Dust build up reduces light output performance and can cause overheating. This can lead to reduced lamp life and increased mechanical wear. Be sure to power off fixture before conducting maintenance.

Unplug fixture from power. Use a vacuum or air compressor and a soft brush to remove dust collected on external vents and internal components. Clean all glass when the fixture is cold with a mild solution of glass cleaner or Isopropyl Alcohol and a soft lint free cotton cloth or lens tissue. Apply solution to the cloth or tissue and drag dirt and grime to the outside of the lens. Gently polish optical surfaces until they are free of haze and lint. Do not touch the lamp glass when cleaning fixture. Oil and dirt can cause damage and premature aging of the lamp. In the event that the lamp is touched or becomes dirty, clean the lamps with an alcohol wipe.

The cleaning of internal and external optical lenses and/or mirrors must be carried out periodically to optimize light output. Cleaning frequency depends on the environment in which the fixture operates: damp, smoky or particularly dirty surrounding can cause greater accumulation of dirt on the unit's optics. Clean with soft cloth using normal glass cleaning fluid. - Always dry the parts carefully. - Clean the external optics at least every 20 days. Clean the internal optics at least every 30/60 days.

Returns Procedure

Returned merchandise must be sent prepaid and in the original packing, call tags will not be issued. Package must be clearly labeled with a Return Merchandise Authorization Number (RA #). Products returned without an RA # will be refused. Call CHAUVET and request RA # prior to shipping the fixture. Be prepared to provide the model number, serial number and a brief description of the cause for the return. Be sure to properly pack fixture, any shipping damage resulting from inadequate packaging is the customer's responsibility. CHAUVET reserves the right to use its own discretion to repair or replace product(s). As a suggestion, proper UPS packing or double-boxing is always a safe method to use.

Claims

Damage incurred in shipping is the responsibility of the shipper; therefore the damage must be reported to the carrier upon receipt of merchandise. It is the customer's responsibility to notify and submit claims with the shipper in the event that a fixture is damaged due to shipping. Any other claim for items such as missing component/part, damage not related to shipping, and concealed damage, must be made within seven (7) days of receiving merchandise.

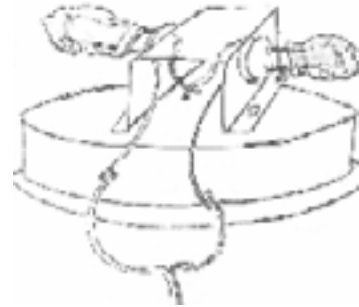
General Troubleshooting

Symptom	Solution(s)	Applies to			
		Lights	Foggers & Snow	Controllers	Dimmers & Chaser
Auto shut off	Check fan thermal switch reset	✓			
Beam is very dim or not bright	Clean optical system or replace lamp Check 220/110v switch for proper setting	✓			
Breaker/Fuse keeps blowing	Check total load placed on device				✓
Chase is too slow	Check users manual for speed adjustment	✓		✓	✓
Device has no power	Check for power on Mains. Check device's fuse. (internal and/or external)	✓		✓	✓
Fixture is on but there is no movement to the audio	Make sure you have the correct audio mode on the control switches. If audio provided via ¼" jack, make sure a live audio signal exists Adjust sound sensitivity knob	✓		✓	✓
Fluid indicator not working	The filter tip on the end of the tube inserted into the fluid container must float freely in order to measure correctly, check to see if perhaps it is stuck		✓		
Fogger or Snow output has dropped	Clean with distilled water and vinegar Replace hose		✓		
Lamps cuts off sporadically	Possible bad lamp or fixture is overheating. Lamp may be at end of its life.	✓			
Light will not come on after power failure	Some discharge lamps require a cooling off period before the electronics in the fixture can kick start it again, wait 5 to 10 minutes before powering up	✓			
Motor movements are jerky or jumpy	Possible bad motor driver or sensors Check polarity switch on controller	✓		✓	
Moves slow	Check 220/110v switch for proper setting	✓			
No flash	Re-install bulb, may have shifted in shipping	✓			
No fog	Check fluid tank if empty Make sure green light is on (for power)		✓		
No light output	Check slip ring & brushes for contact Install bulb Call service technician	✓			
Relay will not work	Check reset switch Check cable connections				✓
Remote does not work	Make sure connector is firmly connected to device	✓	✓		
Unit wobbles when rotating	Check for damages possibly incurred during shipping	✓			

Lamp (in-series) Wiring for 230V Operation

In prior tests of the 230V version of the 64514 known as the 64516 or 64515, failure of the lamp was common place due to rapid fixture movement during normal operations and penetrating sound waves produced in low frequency based music.

Many customers around the world in places where power is served at 230V or 240V have noticed that connecting the 64514 (120V) lamps in series is the most effective and economical method. Tests have shown that the lamp will hold much longer than their 230V counter parts.



Technical Specifications

WEIGHT & DIMENSIONS

Length.....	406 mm (16 in)
Width.....	279 mm (11 in)
Height	279 mm (11 in)
Weight.....	5 Kgs (11 lbs)
Shipping weight.....	6.8 Kgs (15 lbs)

POWER

Switch selectable power.....	115V 60Hz or 230V 50Hz
AC input.....	3-prong IEC 60320 C14

DUTY CYCLE

1. Fixture ON.....	(not to exceed) 15 minutes
2. Fixture OFF.....	(cool down for) 15 minutes

LAMPS

115V - 64514 x (2)	300W 120V
230V - 64514 x (2) In-Series	300W 120V

THERMAL

Maximum ambient temperature.....	40° (104° F)
----------------------------------	--------------

FUSE

Main.....	20mm Glass 6A 250V Fast Blow
-----------	------------------------------

ORDERING INFORMATION

Cyborg™.....	CH-258
Fuse 6A	P170FUSE006

Technical Support

Address:	Service Dept. 3000 N 29 th Ct, Hollywood, FL 33020 (U.S.A.)
Support (Email):	tech@chauvetlighting.com
Telephone:	(954) 929-1115 - (Press 4)
Fax:	(954) 929-5560 - (Attention: Service)
Website:	http://www.chauvetlighting.com