



KWC SYSTEMA



Model number:

10.501.173.[---] 8" Reach

10.501.174.[---] 10" Reach

Deck-mounted, single-hole, side-lever mixer with swivel spout, pull-out spray and integrated soap dispenser

Available in:

[727] Solid Stainless

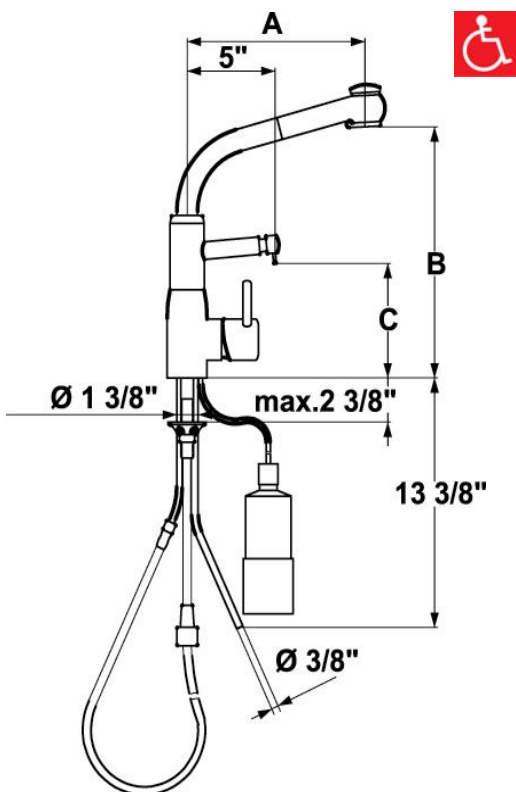
Steel/Splendure™ Stainless Steel

[736] Solid Stainless Steel/Matte Black

Measurements:

10.501.173.[---] A= 8" B= 13 1/16" C= 6 1/8"

10.501.174.[---] A=10" B= 13 7/16" C= 6 1/8"



Features:

- Durable, solid, low-lead brass or solid stainless steel construction
- Installs with lever on right side only
- Swivel spout 160° with pull-out spray
 - TAC turn and clean aerator
 - KWC JETCLEAN technology
 - lockable spray mode
 - automatic diverter reset
 - pull-out length 24"
- Universal ceramic disc cartridge with adjustable temperature and flow rate limitation
- 3/8" OD copper supply lines
- Mounting hole size $\text{Ø } = 1 \frac{3}{8}''$
- Flow rate: 2.2 gpm @ 60 psi