

Service Manual / Manuel de Service



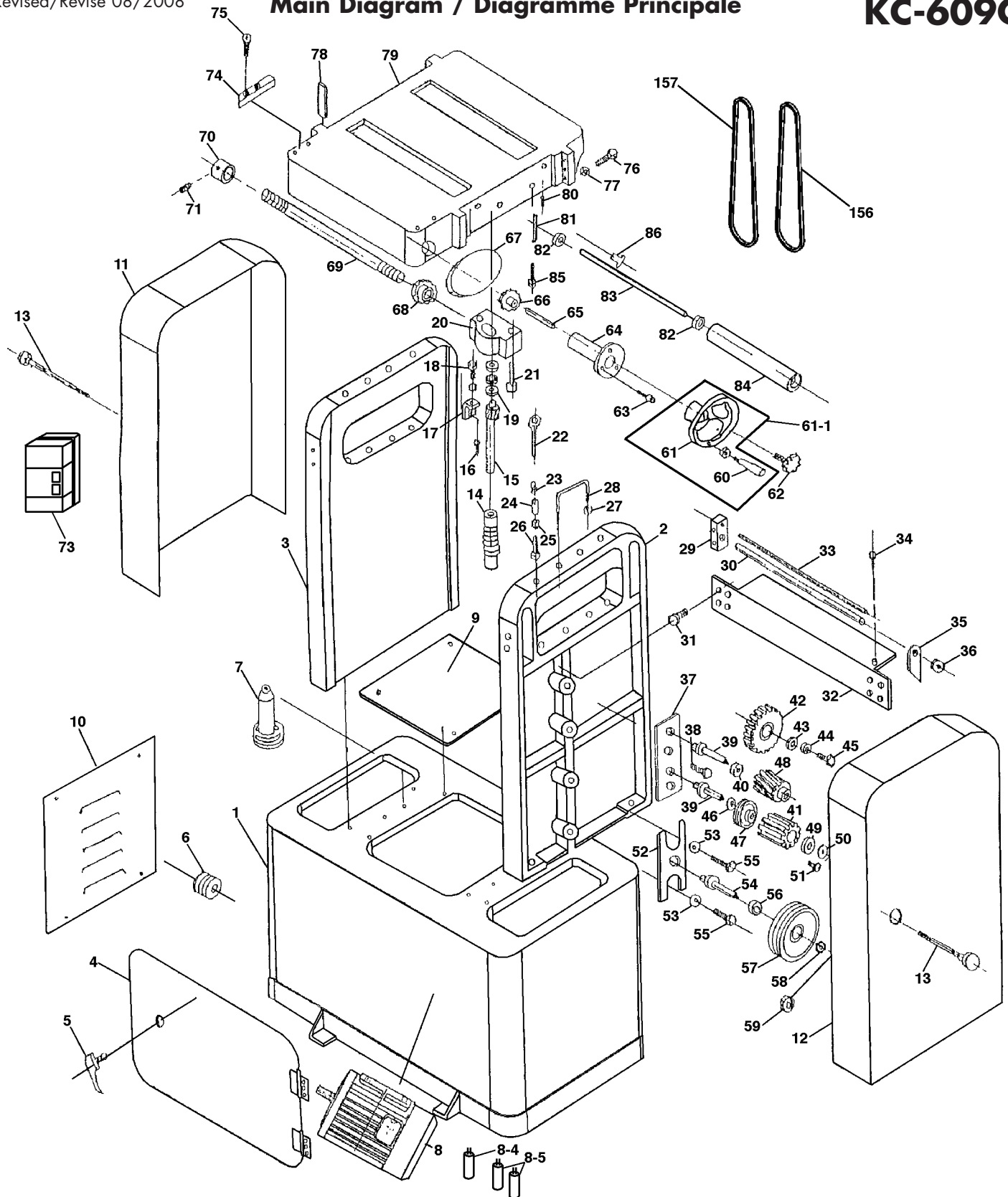
24" Planer Raboteuse 24"



Revised/Revisé 08/2008

Main Diagram / Diagramme Principale

KC-609C





Parts Pricing List / Liste de Prix des Pièces KC-609C

Diag.	Order # Com.	English Description	Description Française	Qty./Qté.	Price/Prix
1	1306090010	STAND CABINET	CABINET	1	\$879.75
2	1306090020	RIGHT FRAME	BOITIER SUPPORT (DROIT)	1	\$504.85
3	1306090030	LEFT FRAME	BOITIER SUPPORT (GAUCHE)	1	\$504.85
4	1306090040	ACCESS DOOR	PORTE D'ACCES	1	\$38.93
5	1306090050	KNOB	BOUTON	1	\$6.84
6	1306090060	PULLEY	POULIE	1	\$44.56
7	1306090070	FLANGE NUT	ECROU AVEC BAGUE	2	\$49.05
8	1306090080	MOTOR	MOTEUR	1	\$918.85
8-4	1306090084	STARTING CAPACITOR	CONDENSATEUR DE DEMARRAGE	1	\$40.19
8-5	1306090085	RUNNING CAPACITOR	CONDENSATEUR D'OPERATION	2	\$28.69
9	1306090090	PLATE	PLAQUE	1	\$31.91
10	1306090100	SMALL SIDE COVER	PETIT COUVERCLE DU COTE	1	\$34.10
11	1306090110	LEFT SIDE COVER	COUVERCLE GAUCHE	1	\$103.33
12	1306090120	RIGHT SIDE COVER	COUVERCLE DROIT	1	\$103.33
13	1306090130	SCREW KNOB	BOUTON AVEC TIGE VISSEE	2	\$7.99
14	1306090140	SHAFT BUSHING	BAGUE DE TIGE	2	\$16.04
15	1306090150	GEAR SHAFT	TIGE/ENGRENAGE	2	\$68.48
16	1306090160	HEX. BOLT	BOULON HEXAGONAL	4	\$2.01
17	1306090170	BRACKET	SUPPORT	2	\$6.73
18	1306090180	HEX. BOLT	BOULON HEXAGONAL	2	\$2.70
19	1306090190	THRUST BEARING	ROULEMENT A BUTEE	2	\$19.49
20	1306090200	WORM GEAR HOUSING	BOITIER POUR ENGRENAGE SANS FIN	2	\$73.43
21	1306090210	HEX. BOLT	BOULON HEXAGONAL	4	\$2.82
22	1306090220	HEX. BOLT	BOULON HEXAGONAL	4	\$3.16
23	1306090230	SPRING	RESSORT	4	\$9.14
24	1306090240	IRON PIPE	TUYAU EN FER	2	\$4.43
25	1306090250	HEX. NUT	ECROU HEXAGONAL	2	\$2.47
26	1306090260	HEX. BOLT	BOULON HEXAGONAL	2	\$2.82
27	1306090270	HEX. NUT	ECROU HEXAGONAL	4	\$2.47
28	1306090280	HOISTING HOOK	CROCHET D'ELEVATION	2	\$6.15
29	1306090290	FIXED SUPPORT	SUPPORT FIXE	2	\$6.50
30	1306090300	ROD	TIGE	1	\$9.03
31	1306090310	HEX. BOLT	BOULON HEXAGONAL	8	\$2.24
32	1306090320	GUARD	GARDE	1	\$78.03
33	1306090330	ROD	TIGE	1	\$9.03
34	1306090340	CUSHION	PROTECTEUR	2	\$3.28
35	1306090350	CHECK PLATE	PLAQUE	30	\$4.43
36	1306090360	HEX. NUT	ECROU HEXAGONAL	1	\$2.24
37	1306090370	PLATE	PLAQUE	1	\$17.08
38	1306090380	HEX. BOLT	BOULON HEXAGONAL	2	\$2.70
39	1306090390	SHAFT	TIGE	2	\$15.93
40	1306090400	BALL BEARING	ROULEMENT A BILLES	1	\$12.25
41	1306090410	GEAR	ENGRENAGE	1	\$75.84
42	1306090420	HELICAL GEAR	ENGRENAGE HELICOIDAL	1	\$107.93
43	1306090430	BALL BEARING	ROULEMENT A BILLES	1	\$11.10
44	1306090440	WASHER	RONDELLE	1	\$2.19
45	1306090450	HEX. BOLT	BOULON HEXAGONAL	1	\$2.24

Pricing subject to change without prior notice. / Prix sujet à changement sans préavis.



Parts Pricing List / Liste de Prix des Pièces **KC-609C**

Diag.	Order # Com.	English Description	Description Française	Qty./Qté.	Price/Prix
46	1306090460	BALL BEARING	ROULEMENT A BILLES	1	\$12.25
47	1306090470	PULLEY	POULIE	1	\$44.56
48	1306090480	HELICAL GEAR	ENGRENAGE HELICOIDAL	1	\$60.66
49	1306090490	BALL BEARING	ROULEMENT A BILLES	1	\$11.10
50	1306090500	WASHER	RONDELLE	1	\$2.19
51	1306090510	HEX. BOLT	BOULON HEXAGONAL	1	\$2.59
52	1306090520	PLATE	PLAQUE	1	\$19.38
53	1306090530	WASHER	RONDELLE	2	\$2.19
54	1306090540	SHAFT	TIGE	2	\$15.70
55	1306090550	HEX. BOLT	BOULON HEXAGONAL	2	\$2.59
56	1306090560	BALL BEARING	ROULEMENT A BILLES	1	\$11.44
57	1306090570	PULLEY	POULIE	1	\$132.08
58	1306090580	WASHER	RONDELLE	1	\$2.19
59	1306090590	HEX. NUT	ECROU HEXAGONAL	1	\$2.24
60	1306090600	HANDLE	BOUTON	1	\$10.06
61	1306090610	HANDWHEEL	MANIVELLE	1	\$68.60
61-1	1306090611	HANDWHEEL/HANDLE ASS'Y	MANIVELLE ET POIGNEE ASSEMBLE	1	\$91.94
62	1306090620	THREADED KNOB	BOUTON FILETE	1	\$4.43
63	1306090630	HEX. BOLT	BOULON HEXAGONAL	3	\$2.24
64	1306090640	FLANGE BRACKET	SUPPORT D'APPUI	1	\$60.20
65	1306090650	SHAFT	TIGE	1	\$8.34
66	1306090660	SPROCKET WHEEL	ENGRENAGE A DENT	1	\$34.10
67	1306090670	CHAIN	CHAINE	1	\$29.38
68	1306090680	SPROCKET WHEEL	ENGRENAGE A DENT	1	\$34.10
69	1306090690	THREADED SHAFT	TIGE FILETEE	1	\$102.98
70	1306090700	BUSHING	BAGUE	1	\$6.04
71	1306090710	PIN	GOUPILLE	1	\$2.70
72	1306090720	TAPER PIN	GOUPILLE CONIQUE	1	\$2.70
73	1306090730	MAGNETIC SWITCH	INTERRUPTEUR MAGNETIQUE	1	\$195.44
74	1306090740	GUIDE BOARD	GUIDE DE TABLIER	2	\$16.85
75	1306090750	HEX. BOLT	BOULON HEXAGONAL	4	\$2.24
76	1306090760	HEX. BOLT	BOULON HEXAGONAL	6	\$2.24
77	1306090770	HEX. NUT	ECROU HEXAGONAL	6	\$2.19
78	1306090780	PLATE	PLAQUE	2	\$9.83
79	1306090790	TABLE	TABLE	1	\$1,144.25
80	1306090800	HEX. BOLT	BOULON HEXAGONAL	4	\$2.24
81	1306090810	ROD	TIGE	4	\$10.29
82	1306090820	BALL BEARING	ROULEMENT A BILLES	4	\$13.74
83	1306090830	SHAFT	TIGE	2	\$17.08
84	1306090840	TABLE ROLLER	ROULEAU DE LA TABLE	2	\$102.06
85	1306090850	HEX. BOLT	BOULON HEXAGONAL	4	\$2.70
86	1306090860	KNOB	BOUTON	4	\$3.97
87	1306090870	KEY	CLE DE RETENUE	1	\$2.70
88	1306090880	HELICAL GEAR	ENGRENAGE HELICOIDAL	1	\$107.81
89	1306090890	HEX. BOLT	BOULON HEXAGONAL	1	\$2.13
90	1306090900	C-RING	ANNEAU EN "C"	1	\$2.70
91	1306090910	BALL BEARING	ROULEMENT A BILLES	1	\$22.94

Pricing subject to change without prior notice. / Prix sujet à changement sans préavis.



Parts Pricing List / Liste de Prix des Pièces **KC-609C**

Diag.	Order # Com.	English Description	Description Française	Qty./Qté.	Price/Prix
92	1306090920	HOUSING	BOITIER	1	\$61.35
93	1306090930	INFEED ROLLER	ROULEAU D'ENTREE	1	\$539.35
94	1306090940	COLLAR	COLLET	1	\$26.28
95	1306090950	CIRCULAR RUBBER	CAOUTCHOUC CIRCULAIRE	1	\$2.24
96	1306090960	FLANGE NUT	ECROU BRIDE	2	\$29.61
97	1306090970	HOUSING	BOITIER	1	\$61.35
98	1306090980	HEX. BOLT	BOULON HEXAGONAL	1	\$2.59
99	1306090990	HEX. NUT	ECROU HEXAGONAL	1	\$2.24
100	1306091000	BALL BEARING	ROULEMENT A BILLES	1	\$22.94
101	1306091010	C-RING	ANNEAU EN "C"	1	\$2.70
102	1306091020	SCALE RULE	REGLE DE MESURE	1	\$3.39
103	1306091030	KEY	CLE DE RETENUE	1	\$2.70
104	1306091040	PULLEY	POULIE	1	\$41.00
105	1306091050	PULLEY PLATE	PLAQUE DE LA POULIE	1	\$24.90
106	1306091060	C-RING	ANNEAU EN "C"	1	\$2.24
107	1306091070	BALL BEARING	ROULEMENT A BILLES	1	\$45.94
108	1306091080	HOUSING	BOITIER	1	\$80.10
109	1306091090	COLLAR	COLLET	2	\$24.90
110	1306091100	24" CUTTERHEAD (3 KNIVES)	TETE DE COUPE 24" (3 COUTEAUX)	1	\$879.75
111	1306091110	HOUSING	BOITIER	1	\$80.10
112	1306091120	HEX. BOLT	BOULON HEXAGONAL	4	\$2.70
113	1306091130	OIL CUP	HUILIER	2	\$2.93
114	1306091140	BALL BEARING	ROULEMENT A BILLES	1	\$45.94
115	1306091150	CIRCULAR NUT	ECROU CIRCULAIRE	1	\$4.43
116	1306091160	SHAFT W/BOLT	TIGE AVEC BOULON	1	\$107.81
117	1306091170	HELICAL GEAR	ENGRENAGE HELICOIDAL	1	\$107.81
118	1306091180	BALL BEARING	ROULEMENT A BILLES	1	\$50.31
119	1306091190	C-RING	ANNEAU EN "C"	1	\$3.16
120	1306091200	PULLEY	POULIE	1	\$29.73
121	1306091210	KEY	CLE DE RETENUE	1	\$2.93
122	1306091220	KNIFE BAR BOLT	BOULON POUR BARRE DES COUTEAUX	24	\$2.82
123	1306091230	24" KNIFE BAR	BARRE A COUTEAUX 24"	1	\$45.94
124	1306091240	SPRING	RESSORT	6	\$2.59
125	KKC-24	KNIVES (SET OF 3)	COUTEAUX (JEUX DE 3)	1	-
126	1306091260	KEY	CLE DE RETENUE	1	\$2.47
127	1306091270	HELICAL GEAR	ENGRENAGE HELICOIDAL	1	\$101.83
129	1306091290	C-RING	ANNEAU EN "C"	1	\$2.70
130	1306091300	BALL BEARING	ROULEMENT A BILLES	1	\$22.94
131	1306091310	HOUSING	BOITIER	1	\$61.35
132	1306091320	OUTFEED ROLLER	ROULEAU DE SORTIE	1	\$378.35
133	1306091330	HEX. BOLT	BOULON HEXAGONAL	1	\$2.59
134	1306091340	HEX. NUT	ECROU HEXAGONAL	1	\$2.24
135	1306091350	HOUSING	BOITIER	1	\$61.35
136	1306091360	BALL BEARING	ROULEMENT A BILLES	1	\$22.94
137	1306091370	CIRCULAR NUT	ECROU CIRCULAIRE	1	\$3.74
138	1306091380	SPRING	RESSORT	1	\$3.28
139	1306091390	ROD	TIGE	1	\$27.54

Pricing subject to change without prior notice. / Prix sujet à changement sans préavis.



® Parts Pricing List / Liste de Prix des Pièces **KC-609C**

Diag.	Order # Com.	English Description	Description Française	Qty./Qté.	Price/Prix
140	1306091400	ROD	TIGE	1	\$27.54
141	1306091410	ROD	TIGE	1	\$27.54
142	1306091420	HEX. BOLT	BOULON HEXAGONAL	4	\$2.59
143	1306091430	HEX. BOLT	BOULON HEXAGONAL	2	\$2.59
144	1306091440	ROD	TIGE	1	\$27.54
145	1306091450	ANTI-KICKBACK FINGER	DOIGT ANTI-RETOUR	22	\$42.38
146	1306091460	HEX. BOLT	BOULON HEXAGONAL	2	\$3.16
147	1306091470	HEX. NUT	ECROU HEXAGONAL	2	\$2.24
148	1306091480	ANTI-KICKBACK FINGER EDGE PLATE	PLAQUE D'EXT./DOIGTS ANTI-RETOUR	2	\$55.03
149	1306091490	HEX. BOLT	BOULON HEXAGONAL	2	\$2.24
150	1306091500	SPRING	RESSORT	2	\$5.69
151	1306091510	PRESSURE BAR	BARRE DE PRESSION	1	\$75.50
152	1306091520	HEX. BOLT	BOULON HEXAGONAL	4	\$2.19
153	1306091530	5" DUST HOOD	SORTIE DE POUSSIERE 5"	1	\$155.25
155	1306091550	V-BELT	COURROIE EN "V"	2	\$27.31
156	1306091560	V-BELT	COURROIE EN "V"	1	\$23.98
157	1306091570	V-BELT	COURROIE EN "V"	1	\$17.65
158	1306091580	KNIFE GAUGE ASS'Y	JAUGE A COUTEAUX ASSEMBLE	1	\$32.14
159	1306091590	OPEN END WRENCH (10-12MM)	CLE OUVERTE (10-12MM)	1	\$4.43
160	1306091600	OPEN END WRENCH (14-17MM)	CLE OUVERTE (14-17MM)	1	\$6.61
161	1306091610	HEX. NUT	ECROU HEXAGONAL	4	\$1.61
555-5	1306095555	TOOL BAG	SAC D'OUTILS	1	\$45.94
	130609MENG	ENGLISH MANUAL KC-609C	MANUEL ANGLAIS KC-609C	1	\$15.00