

Grizzly
Industrial, Inc.®



WWW.GRIZZLY.COM
18V CORDLESS
RECIPROCATING SAW
MODEL G8599
INSTRUCTION SHEET



COPYRIGHT © 1999 BY GRIZZLY INDUSTRIAL, INC.
1821 VALENCIA ST., BELLINGHAM, WA 98227

**WARNING: NO PORTION OF THIS MANUAL MAY BE REPRODUCED IN ANY SHAPE
OR FORM WITHOUT THE WRITTEN APPROVAL OF GRIZZLY INDUSTRIAL, INC.**

NOVEMBER, 1999 PRINTED IN CHINA



WARNING!

Some dust created by power sanding, sawing, grinding, drilling, and other construction activities contains chemicals known to the State of California to cause cancer, birth defects or other reproductive harm. Some examples of these chemical are:

- **Lead from lead-based paints.**
- **Crystalline silica from bricks, cement and other masonry products.**
- **Arsenic and chromium from chemically-treated lumber.**

Your risk from these exposures varies, depending on how often you do this type of work. To reduce your exposure to these chemicals: Work in a well ventilated area, and work with approved safety equipment, such as those dust masks that are specially designed to filter out microscopic particles.

SAFETY

WARNING

For Your Own Safety Read Instruction Manual Before Operating This Equipment

The purpose of safety symbols is to attract your attention to possible hazardous conditions. This manual uses a series of symbols and signal words which are intended to convey the level of importance of the safety messages. The progression of symbols is described below. Remember that safety messages by themselves do not eliminate danger and are not a substitute for proper accident prevention measures.



Indicates an imminently hazardous situation which, if not avoided, WILL result in death or serious injury.



Indicates a potentially hazardous situation which, if not avoided, COULD result in death or serious injury.



Indicates a potentially hazardous situation which, if not avoided, MAY result in minor or moderate injury. It may also be used to alert against unsafe practices.



This symbol is used to alert the user to useful information about proper operation of the equipment.

WARNING

Safety Instructions For Power Tools

- KEEP ALL SAFETY DEVICES IN PLACE** and in working order.
- REMOVE ADJUSTING KEYS AND WRENCHES.** Form habit of checking to see that keys and adjusting wrenches are removed from tool before turning on.
- KEEP WORK AREA CLEAN.** Cluttered areas and benches invite accidents.
- DON'T USE IN DANGEROUS ENVIRONMENT.** Don't use power tools in damp or wet locations, or where any flammable or noxious fumes may exist. Keep work area well lighted.
- KEEP CHILDREN AND VISITORS AWAY.** All children and visitors should be kept a safe distance from work area.
- MAKE WORK SHOP CHILD PROOF** with padlocks, master switches, or by removing starter keys.
- DON'T FORCE TOOL.** It will do the job better and safer at the rate for which it was designed.
- USE RIGHT TOOL.** Don't force tool or attachment to do a job for which it was not designed.

WARNING

Safety Instructions For Power Tools

- 9. USE PROPER EXTENSION CORD** for the charger. Make sure your extension cord is in good condition. Conductor size should be in accordance with the chart below. The amperage rating should be listed on the motor or tool nameplate. An undersized cord will cause a drop in line voltage resulting in loss of power and overheating. Your extension cord must also contain a ground wire and plug pin. Always repair or replace extension cords if they become damaged.

Minimum Gauge for Extension Cords

AMP RATING	LENGTH		
	25ft	50ft	100ft
0-6	18	16	16
7-10	18	16	14
11-12	16	16	14
13-16	14	12	12
17-20	12	12	10
21-30	10	10	No

- 10. WEAR PROPER APPAREL.** Do not wear loose clothing, gloves, neckties, rings, bracelets, or other jewelry which may get caught in moving parts. Non-slip footwear is recommended. Wear protective hair covering to contain long hair.
- 11. ALWAYS USE SAFETY GLASSES.** Also use face or dust mask if cutting operation is dusty. Everyday eyeglasses only have impact resistant lenses, they are NOT safety glasses.
- 12. SECURE WORK.** Use clamps or a vise to hold work when practical. It's safer than using your hand and frees both hands to operate tool.
- 13. DON'T OVERREACH.** Keep proper footing and balance at all times.
- 14. MAINTAIN TOOLS WITH CARE.** Keep tools sharp and clean for best and safest performance. Follow instructions for lubricating and changing accessories.
- 15. DISCONNECT TOOLS** before servicing and changing accessories, such as blades, bits, cutters, and the like.
- 16. REDUCE THE RISK OF UNINTENTIONAL STARTING.** Make sure switch is in off position before plugging in.
- 17. USE RECOMMENDED ACCESSORIES.** Consult the owner's manual for recommended accessories. The use of improper accessories may cause risk of injury.
- 18. CHECK DAMAGED PARTS.** Before further use of the tool, a guard or other part that is damaged should be carefully checked to determine that it will operate properly and perform its intended function. Check for alignment of moving parts, binding of moving parts, breakage of parts, mounting, and any other conditions that may affect its operation. A guard or other part that is damaged should be properly repaired or replaced.
- 19. NEVER LEAVE TOOL RUNNING UNATTENDED. TURN POWER OFF.** Don't leave tool until it comes to a complete stop.

CHARGING SAFETY

WARNING

- 1. READ ALL INSTRUCTIONS** and warnings on the battery and charger before charging the battery.
- 2. CHARGE ONLY USING THE SUPPLIED CHARGER AND BATTERY.** Do not use with other batteries, chargers or cordless equipment.
- 3. DO NOT EXPOSE BATTERY OR CHARGER TO WET OR RAINY CONDITIONS.** Moisture greatly increases the risk of a shock hazard.
- 4. DO NOT TOUCH BATTERY POLES** with any conductive materials. Touching any two poles at the same time causes a short condition and can cause sparks, electrical shock or fire.
- 5. DO NOT STORE BATTERY WITH CONDUCTIVE MATERIALS.** Storing the battery in a box of screws or nails can cause shorting across the battery poles.
- 6. DO NOT THROW BATTERY IN FIRE.** Combustion of some of the batteries' component materials can cause toxic fumes and possible explosion.
- 7. IF CHARGER LIGHT FAILS TO COME ON** check the incoming power supply. If power source is okay, then the fuse inside the charger needs replacement. Charger should be serviced by a qualified electrical technician only.
- 8. CHARGER HAS A POLARIZED PLUG** (one prong is wider than the other). Do not attempt to modify the plug. Modifying the plug will result in a safety hazard and will void the warranty.
- 9. CHARGER IS DESIGNED TO OPERATE AT 110-120 VOLTS.** Never try to plug into any circuit that is not 110-120 volts. Never modify or change the plug that is attached to the charger unit to attempt to plug into 220 volt. This can cause serious electrical damage to the unit, possible fire or explosion.



Ni-Cd

BATTERY MUST BE RECYCLED OR DISPOSED OF PROPERLY. Consult your local Yellow Pages directory under the category "Recycling" to locate a battery recycler in your area.

BEFORE YOU START

First review the contents of your cordless tool kit and familiarize yourself with the key components. Figure 1 shows the contents of the kit:

- Heavy-Duty Case
- Cordless Reciprocating Saw
- Battery Pack
- Charging Stand
- 4 mm Allen®
- Coarse Tooth Saw Blade
(for wood cutting)
- Fine Tooth Saw Blade
(for metal cutting)



Fig 1. Cordless tool kit contents.

The battery in your new cordless power tool will not be fully charged when you receive it. To maximize the storage capacity of the battery, it should be completely discharged, then fully recharged 3-5 times.

For optimal life span, completely discharge the battery before recharging. Follow the instructions below to charge your battery.

Battery charging with the standard charger :

1. Plug the power cord for the charger into the 110/120V outlet.
2. Insert the battery into the charger. The battery fits into the oval recess in only one way. Do not force the battery. Insert until it locks into place.
3. The red LED light on the charging unit will come on when the battery begins its charging cycle.
4. Charge battery for 3-5 hours for a full charge from a fully depleted condition. The red LED will not go off until the battery is removed from the charger base.



Fig 2. Battery into charging stand.

⚠ CAUTION

Never leave a battery unattended while charging. While charging will make the battery and charging unit warm, if it becomes hot to the touch, disconnect the charger immediately. There is a possibility of fire hazard. Have the battery and charging unit checked by a qualified electrical service technician.

OPERATION

!WARNING

Any time the battery is installed in the saw the reciprocating blade will activate when the trigger is depressed. Before making any adjustments or when changing blades always remove the battery first. Failure to observe this will lead to serious personal injury.

Inserting and Removing Saw Blades:

1. Remove the Battery and lock the trigger lock located above the trigger. It is locked when the button is depressed from the right hand side of the saw.
2. Use the 4mm Allen® Wrench supplied to loosen the cap screw located in the slot on the right hand side of the saw. While it is not required to remove the screw, it does need to be turned 3 or four times to allow blades to be exchanged. Please note the locating pin under the jaw clamp. (**Figure 3**).
3. Remove the blade and replace with blade that has appropriate shank profile (see **Figure 4**). Make sure the blade has the correct tooth count per inch for the job to be done.
4. Tighten the screw while insuring the locating pin remains in the hole provided for it in the blade.

Always check to see if the blade is secure after the cap screw is tight. Grasp the back side of the blade (the side without teeth) and gently try to move it side to side and back and forth. If the blade is found to be loose remove the screw and reposition the blade.

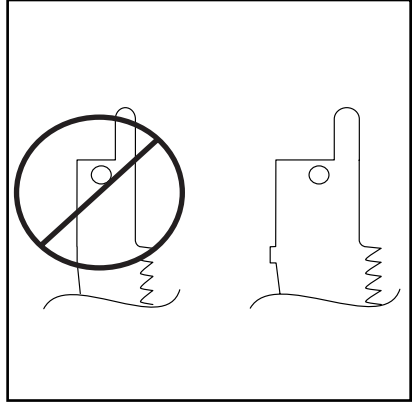


Fig 3. Always use correct shank profile.

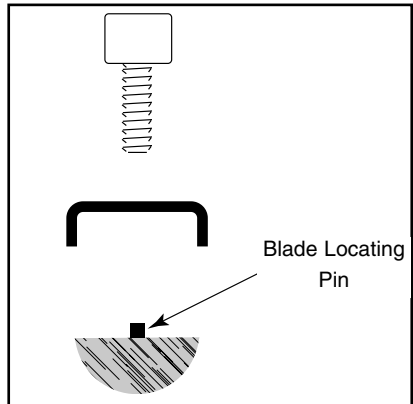


Fig 4. Blade Clamp Assembly.

Inserting Battery Into Saw

1. Insure the trigger lock is in the locked position.
2. Insert the battery into the handle of the saw so that the long end is forward. The battery will only install in one orientation.
3. Make sure the securing clasps on either side of the saw base engage with the clips on the battery compartment.

OPERATION, CONT'D

Choosing the Right Blade:

The rule of thumb for choosing a blade for a given application is that the harder and/or thinner the material the more teeth per inch is required. A list of TPI and materials to be cut follows.

TPI	Material
24	Sheet Metal / Stainless
14	Metal / Wood w/ Nails
10/14	Soft Metals / Wood
10	Wood
6	Rough Cut Wood

Choosing the Blade Speed:

Blade speed is controlled by the trigger. The more the trigger is depressed the faster the blade reciprocates. This allows speed control from 0-2800 RPM.

Using the right blade and blade speed will allow faster cutting operation, longer blade life and will prolong the life of the saw. The rule of thumb is the harder and/or thicker the material the slower the speed should be. This will require practice on the part of the operator. If blade seems to dull quickly replace and use slower blade speed. If cutting wood, most species allow faster speeds.

Stroke Length and Material Thickness:

The length of stroke for the G8599 Cordless Reciprocating Saw is $\frac{7}{8}$ ". When material thickness exceeds $\frac{7}{8}$ " the blade is unable to evacuate the chips being produced. Therefore, when cutting materials that are thicker than $\frac{7}{8}$ " it may be necessary to "clear the blade" occasionally. Simply let go of the trigger and allow the blade to come to a complete stop. Extract the blade from the cut and the chips should fall away. Insert the blade into the cut and continue cutting.

⚠ CAUTION

Never extract or insert the blade into workpiece with the blade in motion. Serious personal injury will occur.

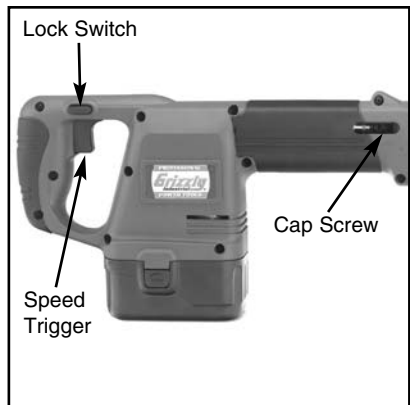


Fig 5. Location of controls.

⚠ WARNING

Operating this equipment has the potential to propel debris into the air which can cause eye injury. Always wear safety glasses or goggles when operating equipment. Be certain the safety glasses you wear meet the appropriate standards of the American National Standards Institute (ANSI).

OPERATING TIPS AND MAINTENANCE

Operating Guides and Tips

Avoid overloading the saw. Always use sharp blades. Do not apply excessive pressure to the saw while using. If the speed drops abnormally, decrease pressure immediately. If the blade stops abruptly or becomes locked, release the trigger at once. Extract the blade and determine what occurred to cause this and rectify.

Ensure the safety of the workplace. Insure the saw blade will not pass through bench or saw horse that workpiece may be on. Securely fix smaller objects to be sawn, fastened in a vise or otherwise clamp to avoid injury. Do not attempt to hold work piece by hand.

Avoid blade pinch. Saw blades may become pinched while cutting a workpiece that is improperly supported, very thick workpieces or when several workpieces are loosely stacked. Know how to avoid these situations to minimize risk of damage to the saw, saw blade or personal injury.

Inspect the saw before use. Run the saw before using to ensure all parts are running smoothly and there are no abnormal sounds or sparks. If any defect is found, have unit serviced.

Know your worksite. Only cut as deep as necessary. Check behind walls for wires, other electrical hazards, or plumbing.

Use accessories properly. Use the right blade for the job. Be aware of blade TPI necessary for the type and thickness of the material. Use the appropriate blade speed- when in doubt slow the blade speed.

Maintenance

Your cordless power tool will give you hundreds of hours of operation time before ever needing service. The electrical components of this cordless saw are not user serviceable. Repair should always be undertaken by a qualified electrical repair technician.

Keep the saw free from dirt and grease. Always store it in a dry place, preferably in the case that is supplied.

The battery will require periodic recharging, and eventually replacement after it has exceeded its recharge life (approximately 800-1000 recharge cycles). You will notice extended charging times or shortened operation time as the battery experiences more cycles. **Battery must be recycled or disposed or properly.** Refer to the Grizzly catalog for replacement batteries.



WARNING

Disassembly and improper reassembly of this device can result in electrical shock danger. Always have this device serviced by an qualified electrical repair technician. Serious injury will result.

WARRANTY AND RETURNS

Grizzly Industrial, Inc. warrants every product it sells for a period of **1 year** to the original purchaser from the date of purchase. This warranty does not apply to defects due directly or indirectly to misuse, abuse, negligence, accidents, repairs or alterations or lack of maintenance. This is Grizzly's sole written warranty and any and all warranties that may be implied by law, including any merchantability or fitness, for any particular purpose, are hereby limited to the duration of this written warranty. We do not warrant or represent that the merchandise complies with the provisions of any law or acts unless the manufacturer so warrants. In no event shall Grizzly's liability under this warranty exceed the purchase price paid for the product and any legal actions brought against Grizzly shall be tried in the State of Washington, County of Whatcom.

We shall in no event be liable for death, injuries to persons or property or for incidental, contingent, special, or consequential damages arising from the use of our products.

To take advantage of this warranty, contact us by mail or phone and give us all the details. We will then issue you a "Return Number", which must be clearly posted on the outside as well as the inside of the carton. We will not accept any item back without this number. Proof of purchase must accompany the merchandise.

The manufacturers reserve the right to change specifications at any time because they constantly strive to achieve better quality equipment. We make every effort to ensure that our products meet high quality and durability standards and we hope you never need to use this warranty.

Please feel free to write or call us if you have any questions about the machine or the manual.

Grizzly Industrial, Inc.
1203 Lycoming Mall Circle
Muncy, PA 17756
Phone: (570) 546-9663
Fax: (800) 438-5901

E-Mail:
techsupport@grizzly.com

Web Site: <http://www.grizzly.com>

Thank you again for your business and continued support. We hope to serve you again soon.

NOTES

WARRANTY CARD

Name _____

Street _____

City _____ State _____ Zip _____

Phone Number _____ E-Mail _____ FAX _____

MODEL # G8599 18V Cordless Reciprocating Saw Order# _____

The following information is given on a voluntary basis. It will be used for marketing purposes to help us develop better products and services. Of course, all information is strictly confidential.

1. How did you learn about us?
 Advertisement Friend
 Catalog Card Deck
 World Wide Web
 Other _____
2. What is your annual household income?
 \$20,000-\$29,999 \$60,000-\$69,999
 \$30,000-\$39,999 \$70,000-\$79,999
 \$40,000-\$49,999 \$80,000-\$89,999
 \$50,000-\$59,999 \$90,000 +
3. What is your age group?
 20-29 50-59
 30-39 60-69
 40-49 70 +
4. How long have you been a woodworker?
 0 - 2 Years 8 - 20 Years
 2 - 8 Years 20+ Years
5. How would you rank your woodworking skills?
 Simple Advanced
 Intermediate Master Craftsman
6. What stationary woodworking tools do you own?
Check all that apply.
 Air Compressor Panel Saw
 Band Saw Planer
 Drill Press Power Feeder
 Drum Sander Radial Arm Saw
 Dust Collector Shaper
 Spindle Sander Jointer
 Table Saw Lathe
 Mortiser Wide Belt Sander
 Horiz.Boring Machine
 Vacuum Veneer Press
 Other _____
7. How many of your woodworking machines are Grizzly? _____
8. Which benchtop tools do you own? Check all that apply.
 1"x42" Belt Sander 6" - 8" Grinder
 5" - 8" Drill Press Mini Lathe
 8" Table Saw 8" - 10" Bandsaw
 Scroll Saw Disc/Belt Sander
 Spindle/Belt Sander Mini Jointer
 10"-12"Thickness Planer
 Other _____
9. How many of the machines checked above are Grizzly? _____
10. Which portable/hand held power tools do you own?
Check all that apply.
 Belt Sander Orbital Sander
 Biscuit Joiner Palm Sander
 Circular Saw Portable Planer
 Detail Sander Saber Saw
 Drill/Driver Reciprocating Saw
 Miter Saw Router
 Other _____
11. What machines/supplies would you like Grizzly Industrial to carry?
 12" Table Saw Radial Arm Saw
 12" Jointer Panel Saw
 Brass Hardware Lumber
 Paint & Finishing Supplies
 Contractor's Supplies
 Combination Planer/Jointer
 Other _____
12. What new accessories would you like Grizzly Industrial to carry?
 Builders Hardware Hand Tools
 Fasteners
 Wood Components
 Other _____
13. What other companies do you purchase your tools and supplies from?

14. Do you think your purchase represents good value?
 Yes No
15. Would you recommend Grizzly to a friend?
 Yes No
16. Would you allow us to use your name as a reference for Grizzly customers in your area? **Note: We never use names more than three times.**
 Yes No
17. Comments: _____

Send a Grizzly Catalog to a friend:

Name_____
Street_____
City_____State_____Zip_____

FOLD ALONG DOTTED LINE



GRIZZLY INDUSTRIAL, INC.
P.O. BOX 2069
BELLINGHAM, WA 98227-2069

TAPE ALONG EDGES--PLEASE DO NOT STAPLE