

RANGE COMPOSITION

Zanussi Professional has designed a range of hand washbasins, with non-manual controls (except for model LPD), constructed to comply with current hygiene standards. The range of hand washbasins consists of 4 models: one wall-mounted, knee-operated model; one free-standing, foot operated model with base cupboard; one free-standing model with two basins and one free-standing, foot-operated model with knife steriliser.



LPS/75

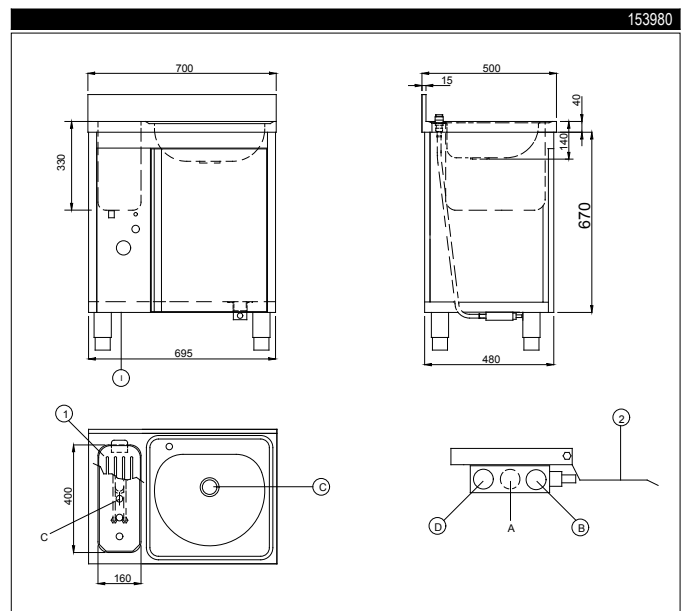
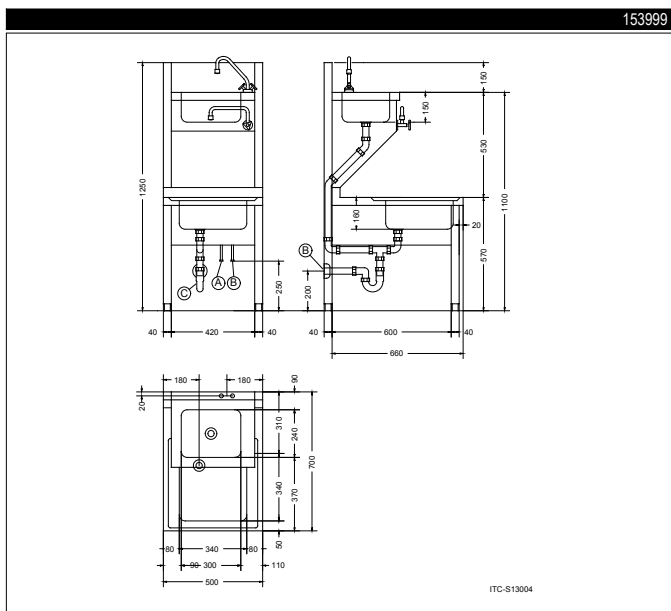
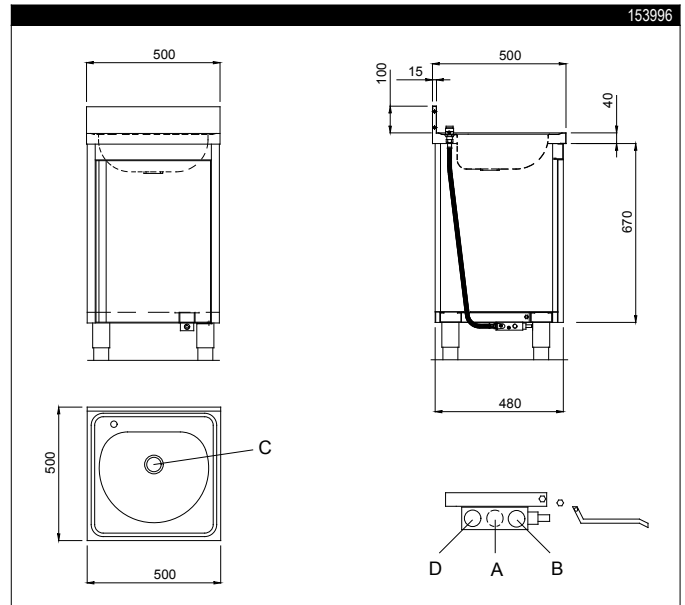
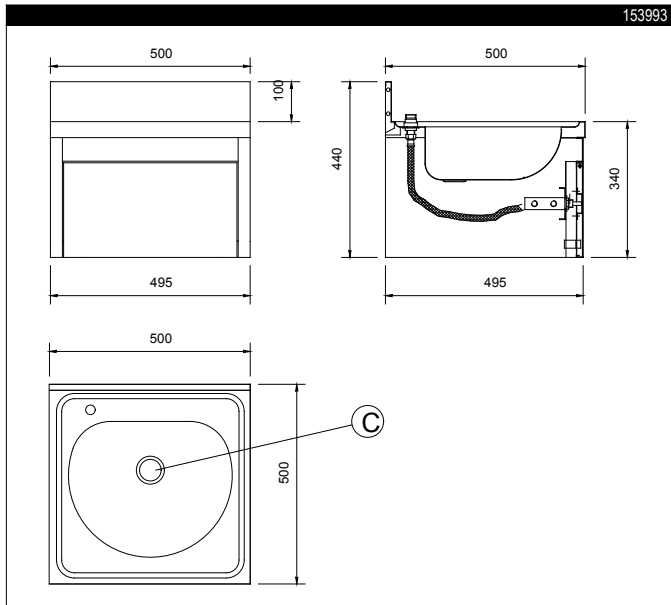
WASHBASINS ZANUSSI PROFESSIONAL

FUNCTIONAL AND CONSTRUCTION FEATURES

- ◆ Constructed entirely in 18/10 stainless steel.
- ◆ Sound deadened pressed bowl with rounded corners to guarantee easy cleaning and all-round lip to prevent overspill.
- ◆ Mixer spout, 1/2" in diameter and drain hole supplied as standard. Model LPD has two tap units.
- ◆ Free-standing models are equipped with stainless steel foot pedals and side-hinged door (except for model LPD).
- ◆ The model with knife sterilizer (bowl dimensions 160x400x330h) has two basins, a thermometer to ensure that the water is at the correct temperature for sterilizing the knives and a thermostat.
- ◆ Model LPD has an upper hand washbasin (dimensions 300x240x150) and a lower drainage sink with a steel support grid.

- ◆ The washbasins can be equipped with a wall panel and paper and soap dispensers as optional extras. All models comply with the more strict international standards as far as hygiene and cleanability are concerned.

TECHNICAL DATA				
CHARACTERISTICS	MODELS			
	LM55 153993	LP55 153996	LPD 153999	LPS75 153980
External dimensions - mm				
width	500	500	500	700
depth	500	500	700	500
height	340	850	1250	850
Worktop thickness - mm	50	50	50	50
Upstand dimensions - mm				
height	100	100		100
depth	13	13		13
Bowls - n.	1	1	1	1
Bowl dimensions (wxdxh) - mm	340x370xH160	340x370xH160	340x340xH160	340x340xH160
Power - kW				
installed-electric				1.5
Net weight - kg.	12	40	50	12
Supply voltage				220...240 V, 1N, 50/60
Washbasin type				
Wall mounted	•			
Floor mounted		•	•	•
Operation				
Knee	•			
Foot		•		•



LEGEND	LM55 153993	LP55 153996	LPD 153999	LPS75 153980
A - Hot water inlet	1/2"	1/2"	1/2"	1/2"
B - Cold water inlet	1/2"	1/2"	1/2"	1/2"
C - Water drain	1"1/2	1"1/2	1"1/2	1"1/2
I - Electrical connection				220...240 V, 1N, 50/60



OPTIONAL ACCESSORIES	MODELS			
ACCESSORIES	LM55 153993	LP55 153996	LPD 153999	LPS75 153980
DRAIN/CUT-OFF VALVE AND SYPHON KIT				850410
FITTING WALL FOR HAND WASH BASIN	850400	850400		
FITTING WALL FOR HAND WASH BASIN				850403
SINGLE BRASS DRAIN SYPHON 1.5"	855308	855308	855308	855308
SINGLE PLASTIC DRAIN SYPHON 1.5"	855306	855306	855306	
SOAP DISPENSER FOR HAND WASH BASIN	850401	850401		850401
TOWEL DISPENSER FOR HAND WASH BASIN	850402	850402		850402

