

13 WS Be

5" Utopia Be® subwoofer



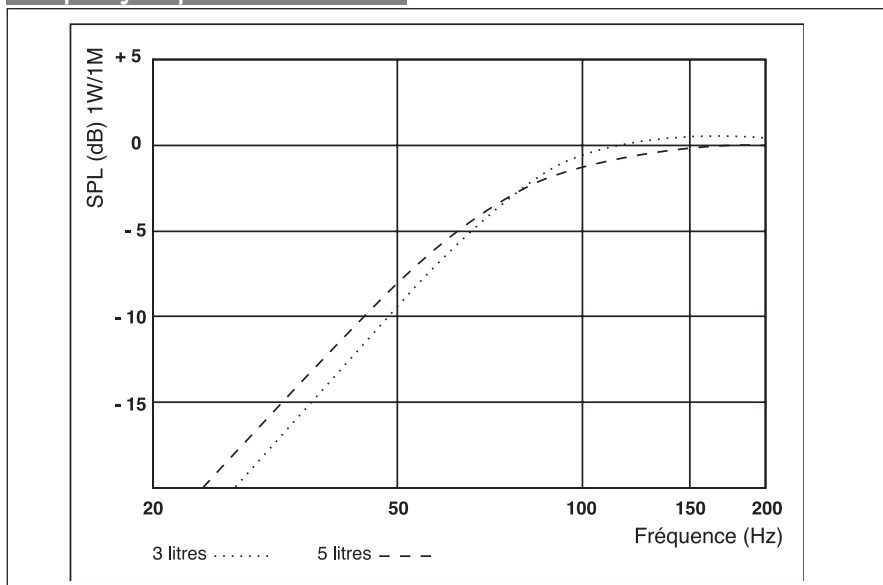
- Compact subwoofer
- W cone
- Neodymium magnet
- Zamak basket
- For small closed box



Specifications

Nominal power	75 W	
Maximum power	150 W	
Sensitivity (2.83V/m)	87.8 dB	
Cone	W	
Surround	Rubber	
Nom. impedance	4 ohm	
DC resistance	3.09 ohm	
VC diameter	32 mm	1.26 in
VC height	22 mm	0.86 in
Former	Kapton®	
Layers	2	
Wire	Copper	
Inductance	0.6 mH	
Xmax	8 mm	0.31 in
Magnet	Neodymium	
Flux density	1 T	
Gap height	6 mm	0.24 in
Net weight	0.7 kg	1.54 lbs

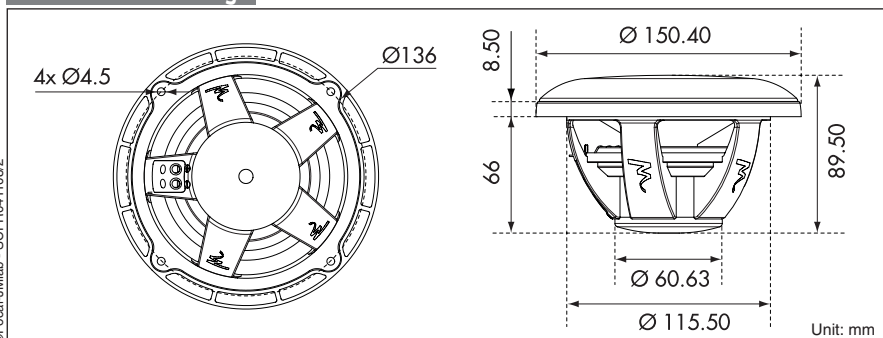
Frequency Response



Parameters

Fs	53.43 Hz
Vas	5.24 l
Qts	0.495
Qes	0.520
Qms	10.09
Re	3.09 ohm
Sd	86.59 cm ²
Cas	3.73E-08 m ⁵ /N
Mas	237.93 kg/m ⁴
Ras	7916.47 ohm.ac
Cms	4.97E-04 m/N
Mms	17.84 g
Rms	0.594 kg/s
Ces	501.28 mF
Les	17.70 mH
Res	59.96 ohm
BI	5.97 N/A
SPL	83.71 dB/W/m

Mechanical Drawing



Suggested application

Load	V (l)	Fb (Hz)	F-3 (Hz)	Ql
Sealed	5	-	96	0.707
Sealed	3	-	78	0.82

Focal® is a trademark of Focal-JMLab®