

PARTS LIST

for



COMMERCIAL GAS DRYER

MODEL
CGM2941TQ0



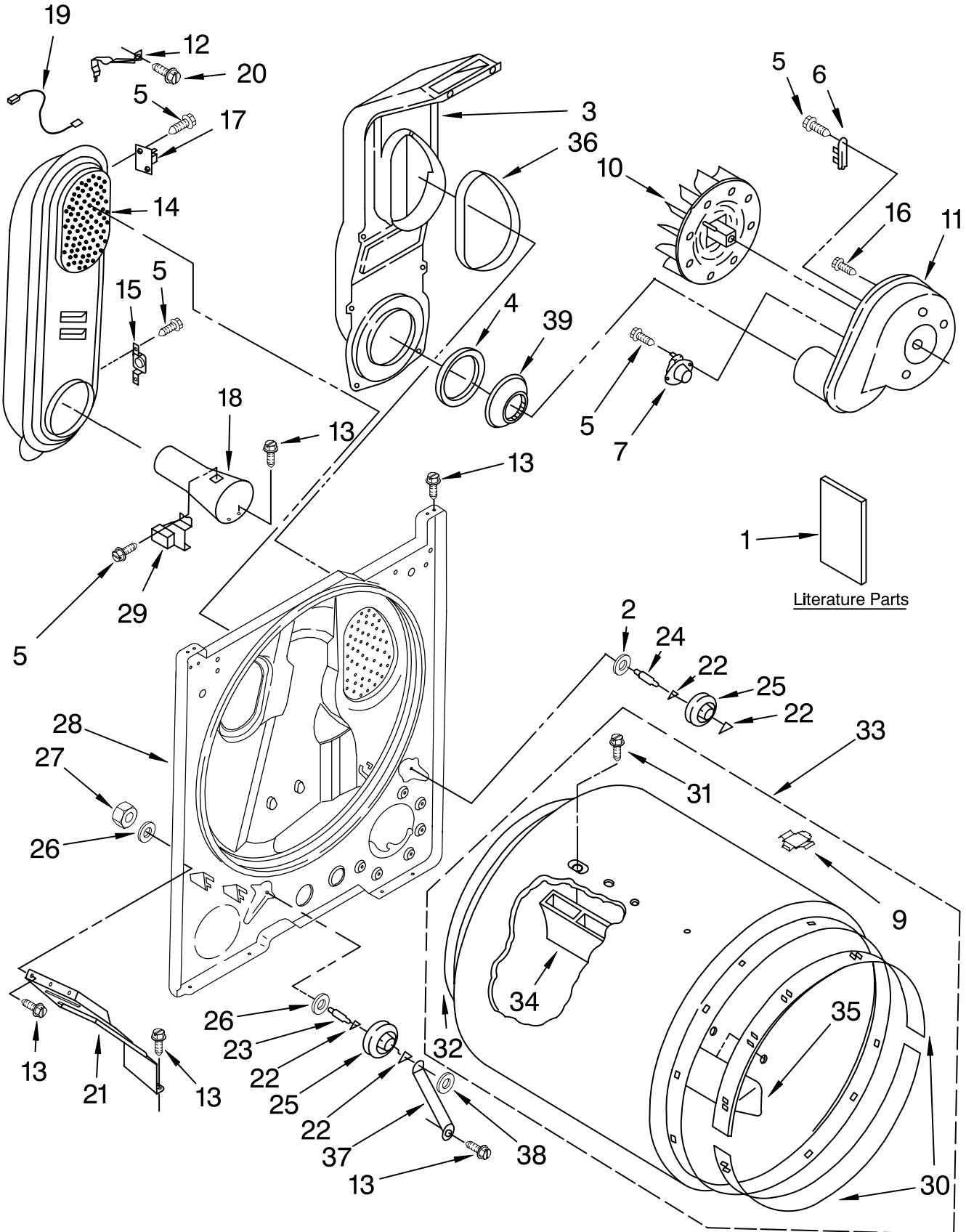
FOR CUSTOMER SATISFACTION ALWAYS USE
FACTORY SPECIFICATION PARTS



Whirlpool CORPORATION
Benton Harbor, Michigan.

BULKHEAD PARTS

For Model: CGM2941TQ0
(White)



FOR ORDERING INFORMATION REFER TO PARTS PRICE LIST

BULKHEAD PARTS

For Model: CGM2941TQ0
(White)

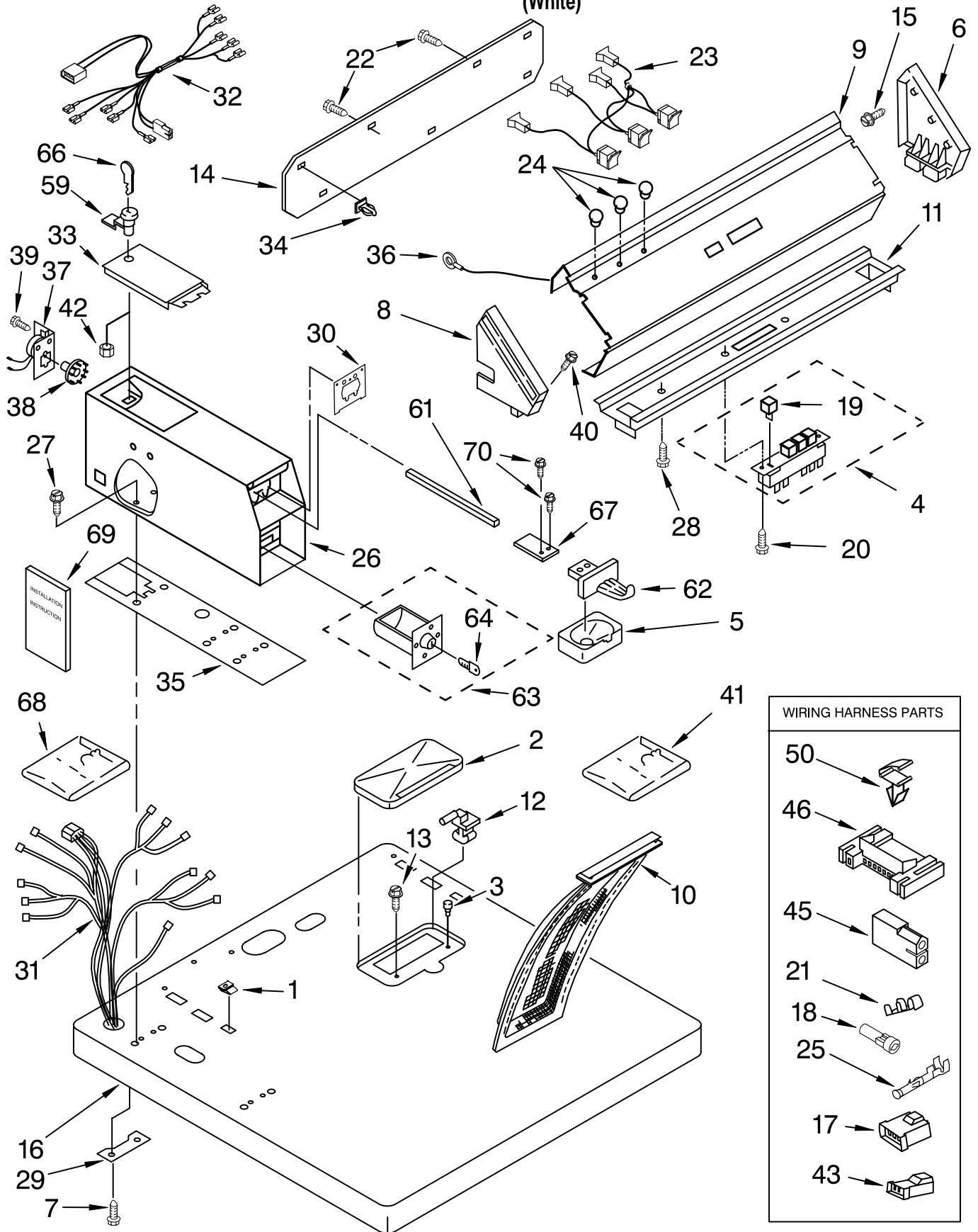
Illus. No.	Part No.	DESCRIPTION	Illus. No.	Part No.	DESCRIPTION	Illus. No.	Part No.	DESCRIPTION
1		Literature Parts	10	694089	Wheel, Blower	22	690997	Ring, Tri
	8563800	Instructions, Installation			(Includes Illus. 8)	23	3399506	Shaft, L.H.
	8576820	Label, Wiring Diagram	11	8577230	Housing, Blower	24	3399507	Shaft, R.H.
	W10119633	Repair Parts List	12	3398161	Clip	25	3397590	Roller, Support (2)
2	3388703	Washer, Support	13	343641	Screw, 10-16 x 1/2	26	348197	Washer, Support (4)
3	348368	Lint Chute Assembly	14	8530285	Box, Heater	27	3359452	Nut, 3/8-16 (2)
4	347139	Seal, Lint Chute	15	3403140	Thermostat, High Limit 205°F (96°C)	28	3403410	Bulkhead
5	90767	Screw, 8-18 x 3/8	16	3390647	Screw, 8-18 x 1/2	29	338906	Sensor, Radiant
6	3392519	Thermal Fuse	17	280010	Kit, Thermal Cut-Off (Includes Illus. 15)	30	692526	Ring, Bearing
7	3387134	Thermostat, Internal Bias	18	8066049	Funnel, Burner	31	W10109200	Screw, 11-16 x 3/4
9	8066086	Drum Hole Plug	19	3401707	Wire, Jumper	32	3406130	Seal, Rear Drum
			20	489463	Screw, 8-18 x 5/8	33	695587	Drum Assembly
			21	3406022	Bracket, Bulkhead	34	692490	Baffle, Drum
						35	3403636	Baffle, Drum (1)
						36	339956	Seal
						37	3976434	Bracket, Support Shaft
						38	90296	Clip
						39	696302	Shield, Exhaust

FOR ORDERING INFORMATION REFER TO PARTS PRICE LIST

TOP AND CONSOLE PARTS

For Model: CGM2941TQ0

(White)



FOR ORDERING INFORMATION REFER TO PARTS PRICE LIST

TOP AND CONSOLE PARTS

For Model: CGM2941TQ0

(White)

Illus. No.	Part No.	DESCRIPTION	Illus. No.	Part No.	DESCRIPTION	Illus. No.	Part No.	DESCRIPTION
1	357213	Nut, Push-In (2)	31	8529862	Harness, Wiring	59	8316526	Security Lock/Key & Cam Assembly
2	8283378	Cover, Lint Screen	32	3401126	Harness, Timer			
3	297535	Bumper, Lint Lid	33	3351136	Door, Service	61	8318517	Bolt, Slide Mechanism
4	8316437	Switch, Pushbutton	34	689559	Nut, Push In	62	8316520	Slide Mechanism (Vertical 8-Coin) (Dollar Vend) Inserts (Not Shown)
5	385421	Funnel, Coin	35	3954812	Cushion, Meter Case		8316264	Blank
6	3949737	Cap, End (R.H.)	36	690853	Wire, Ground		8316265	25¢
7	98445	Screw, 10-16 x 3/4	37	W10045440	Timer (Includes 4-Pin Cam)	63	8316525	Money Box W/Lock Key (Money Box) (When Ordering, Specify Vendor and Key Number)
8	3402631	End Cap (L.H.)				64		Key (Service Door) (When Ordering, Specify Vendor and Key Number)
9	W10114734	Panel, Control	38		Timing Cam			
10	349639	Screen, Lint		3387974	3-Pin (60 Min)			
11	3398113	Bracket, Control		339855	4-Pin (45 Min)			
12	3978606	Hinge, L.H.		343777	6-Pin (30 Min) *Also Available			
13	3978605	Hinge, R.H.						
14	688983	Screw, 8-18 x 3/8		339854	9-Pin (20 Min)			
15	3387978	Panel, Rear Console		339853	12-Pin (15 Min)	66		
16	97787	Screw, 11-16 x 5/8	39	339805	Screw, 10-32 x 3/16			
17	8527847	Top	40	388326	Screw, Console			
18	3403498	Connector, 3 Position	41	3954807	Kit, Vertical 8-Coin (Includes Illus. 59-62-63 67-68-69 & 70)	67	8316523	Extension
19	351297	Plug, Harness				68	8316524	Kit, Decal
20	8316433	Pushbutton				69	8316532	Installation Instructions Coin Kit
21	303921	Screw, 8-32 x 3/8	42	90406	Nut, Cage	70	3400086	Screw, 10-32 x 3/8
22	357572	Clip, Grounding	43	3403499	Connector, 2 Position			
23	693995	Screw, 8-18 x 3/8	45	717252	Connector, 2-Way			
24	3401177	Light, Indicator Assembly	46	3395683	Connector, Housing			
25	3348109	Lens, Amber (3)	50	3394427	Clip, Harness			
26	94614	Terminal						
27	3978748	Case, Meter						
28	3349065	Bolt, 5/16-24 x 1						
29	339554	Screw, 10-16 x 1/32						
30	3347825	Plate, Mounting						
	3954761	Adapter Plate Chute Assembly (Includes Illus. 5)						

Following Parts Supplied
On Whirlpool Coin
Equipped Models Only

Coin mechanism parts may be
Ordered from whirlpool or
The vendor(s) listed below

◆ ESD
270 New Jersey Dr.
Fort Washington, PA
19034

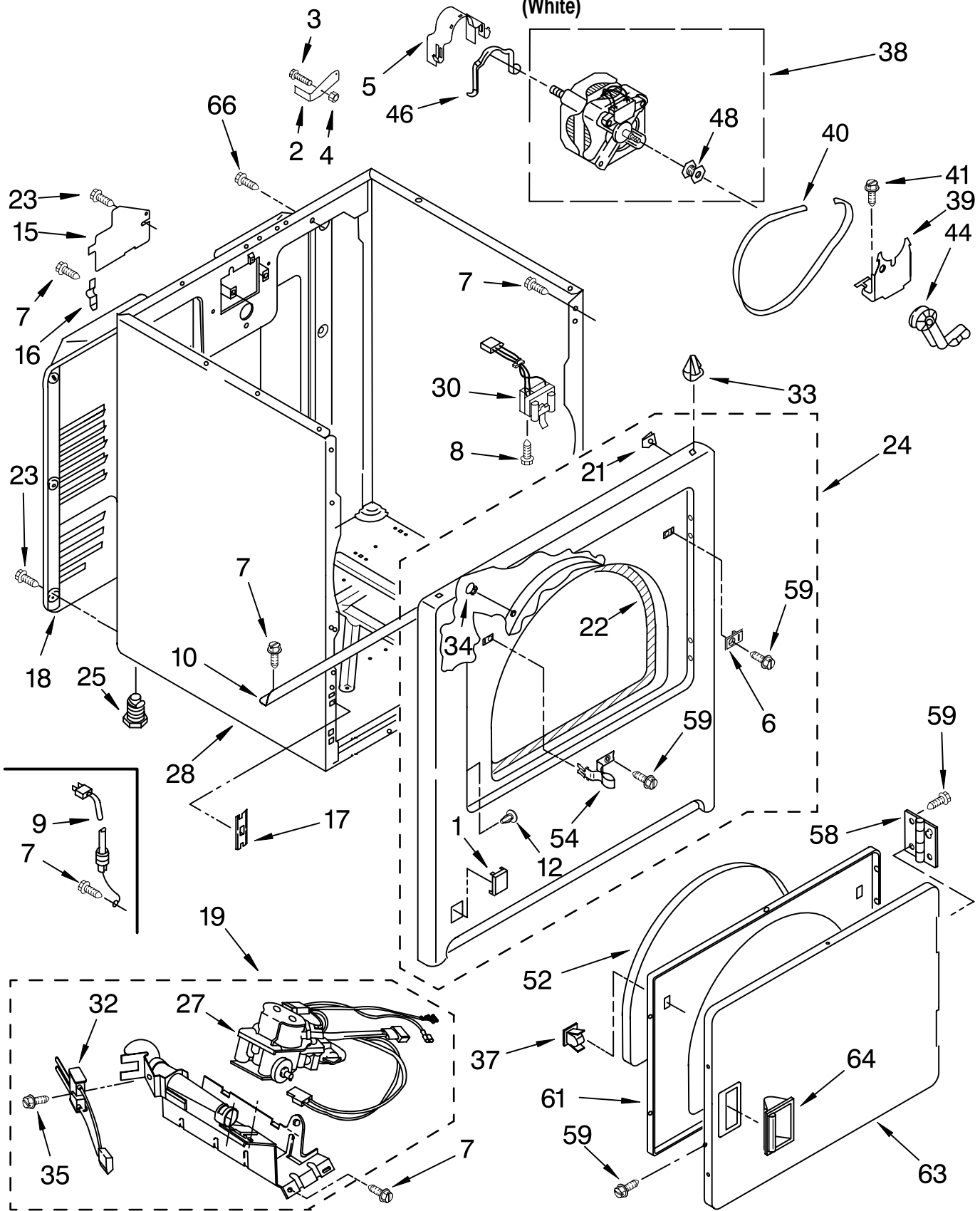
1-800-523-1510

info@esdcoin.com

CABINET PARTS

For Model: CGM2941TQ0

(White)



FOR ORDERING INFORMATION REFER TO PARTS PRICE LIST

CABINET PARTS

For Model: CGM2941TQ0
(White)

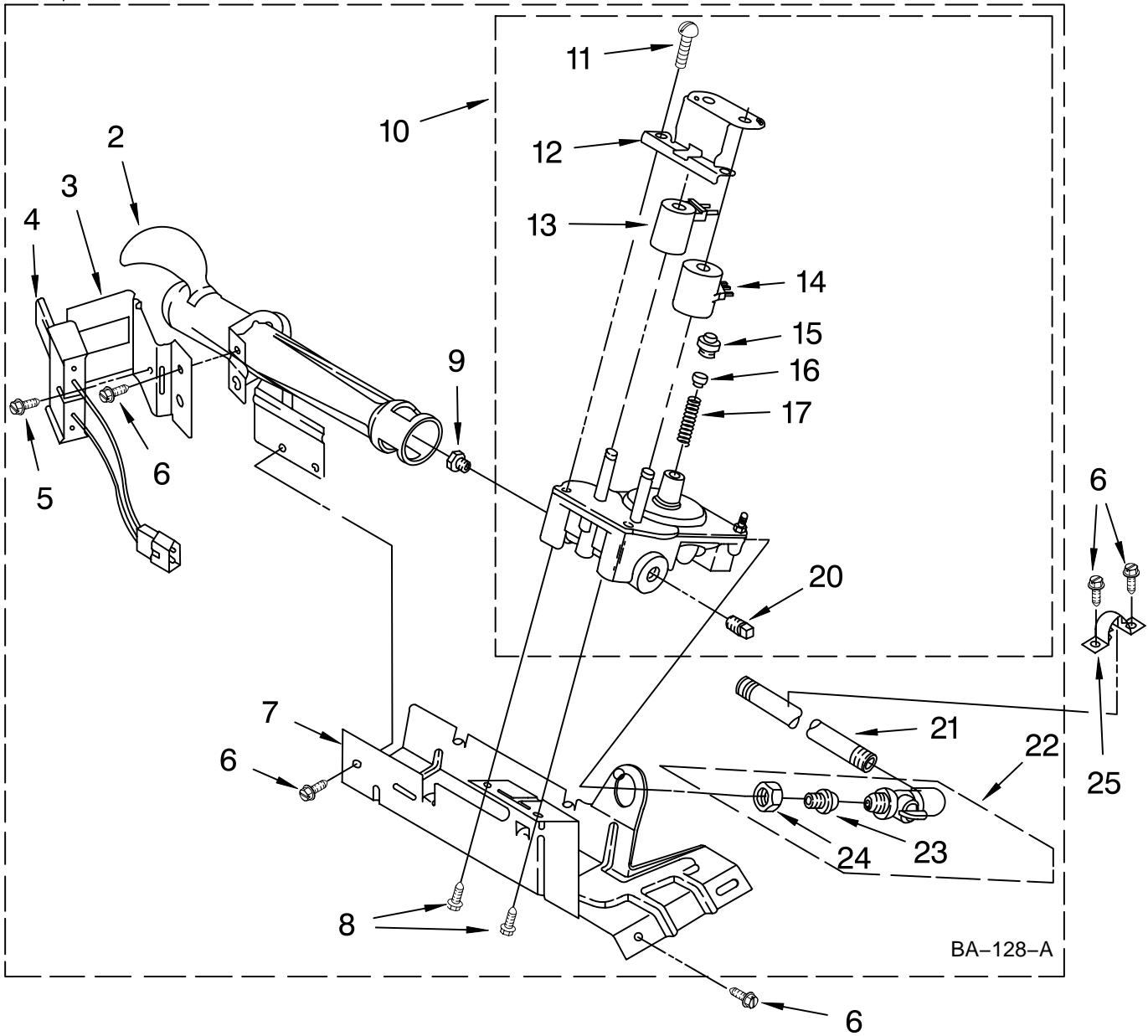
Illus. No.	Part No.	DESCRIPTION	Illus. No.	Part No.	DESCRIPTION	Illus. No.	Part No.	DESCRIPTION
1	3394975	Plug, Front Panel	19	3401771	Burner Assembly (60 Hz) (Refer To Pages 8 & 9 For Further Burner Breakdown)	34	685203	Clip, Felt Pad (2)
2	3954895	Bracket, Top Lock	21	98234	Clip, Ground (2)	35	3393909	Screw, Washer
3	354730	Bolt, 5/16-18 x 2 3/4	22	3406129	Seal & Bearing Assembly	37	3389441	Catch, Door
4	90984	Nut	23	693995	Screw, Hex Washer Head	38	8066206	Motor Assembly 60 Hz.
5	3404162	Clamp, Motor (W/Shield)	24	3403447	Front Panel Assembly	39	348780	Base, Motor
6	3403630	Plug, Strike	25	3392100	Foot	40	8066065	Belt, Drive
7	343641	Screw, 10-16 x 1/2		279810	Foot - Optional (Extended Length Package Of 2) (Not Included)	41	3400500	Bolt, 5/16-18 x 3/4
8	697773	Screw, 6-20 x 7/8	27	3401775	Valve, Gas (Complete)	44	691366	Idler & Pulley Assembly
9	3401401	Cord, Power	28	8530603	Cabinet (Includes Illus. 10)	46	660658	Clamp, Motor
10	8541400	Bracket, Cabinet	30	3406109	Switch, Door	48	8066184	Pulley, 60 Hz.
12	3404413	Plug, Hinge Hole (4)	32	686590	Ignitor	52	3405246	Seal, Door
15	3396795	Cover, Block	33	690363	Lock, Front Top (2)	54	3403431	Strike, Door
16	238088	Hinge, Top (2)				58	3405514	Hinge & Pin Assembly (2)
17	3394083	Clip, Front Panel (2)				59	342055	Screw, 8-18 x 1/2
18	3396805	Panel, Rear				61	3402341	Door, Rear
						63	3402335	Door, Front
						64	3405184	Handle, Door
						66	697776	Screw, 10-32 x 5/8 (Grounding)

FOR ORDERING INFORMATION REFER TO PARTS PRICE LIST

3401771 BURNER ASSEMBLY

For Model: CGM2941TQ0
(White)

1 USE WITH TYPE 1 – NATURAL, TYPE 2 – MIXED, TYPE 3 – MANUFACTURED
AND TYPE 4 – LIQUEFIED PROPANE AND BUTANE GASES



FOR ORDERING INFORMATION REFER TO PARTS PRICE LIST

3401771 BURNER ASSEMBLY

For Model: CGM2941TQ0
(White)

USE WITH TYPE 1 – NATURAL, TYPE 2 – MIXED, TYPE 3 – MANUFACTURED
AND TYPE 4 – LIQUEFIED PROPANE AND BUTANE GASES

Illus. No.	Part No.	DESCRIPTION
1	3401771	Burner Assembly 60 Hz. (Type 1, 2 & 3) (White Rodgers)
2	688617	Tube, Burner
3	694298	Bracket, Ignitor
4	686590	Ignitor
5	3393909	Screw & Washer (8–32 x 5/8)
6	343641	Screw, 10–16 x 1/2
7	693986	Base, Burner
8	3387057	Screw, 8–18 x 3/8 (2)
9		Orifice, Burner
	234826	Type 1
	15775	Type 2
	15419	Type 3
	229742	Type 4 (Butane)
	234868	Type 4 (Propane)
10	3401775	Valve, 60 Hz.
11	694421	Screw, 8–32 x 1/2 (2)
12	694538	Bracket, Coil
13	694540	Coil, 60 Hz. (2 Terminal) (Main)
14	694539	Coil, 60 Hz. (Split) (3 Terminal) (Pilot Position)
15	694424	Leak Limiter
16	694423	Screw, Regulator Adjustment
17	694422	Spring, Regulator
20	239822	Plug, Pipe
21	233273	Pipe, Gas Supply
22	3393658	Valve & Union, Shut–Off
23	3393767	Pipe, Tail
24	233076	Nut, Compression
25	341029	Clamp, Pipe

Following Parts Not Illustrated

694572 Conversion Kit
(Type 1, 2 & 3)
to Type (4) L.P.G.

BA-128-A

FOR ORDERING INFORMATION REFER TO PARTS PRICE LIST

OPTIONAL PARTS (NOT INCLUDED)

For Model: CGM2941TQ0
(White)

Illus.	Part	
No.	No.	DESCRIPTION

ACCESSORY PARTS

279948	Kit, Dryer Repair
8522199	Kit, Dryer Vent Testing

PAINT, TOUCH-UP (1/2oz.)

72017	White
-------	-------

PAINT, PRESSURIZED SPRAY (12 oz.)

350930	White
350938	Primer, Gray

PAINT, BULK (1 qt.)

799344	White (Uncut)
--------	---------------

FOR ORDERING INFORMATION REFER TO PARTS PRICE LIST