

# dyson

DCO3 Operating manual



DCO3 Absolute

---

DYSON CUSTOMER HELPLINE

**7000 435 7546**




Mon-Fri 9am-6pm, Sat 9am -1pm

[www.dyson.com.sg](http://www.dyson.com.sg)

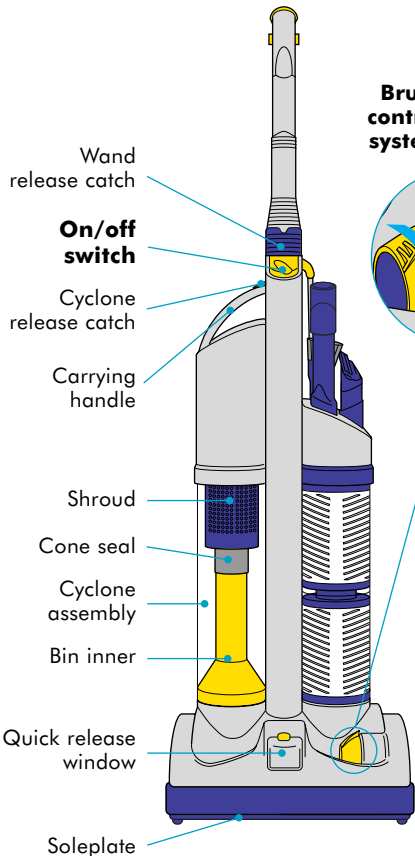
# DCO3 quick reference page

## Brush control system

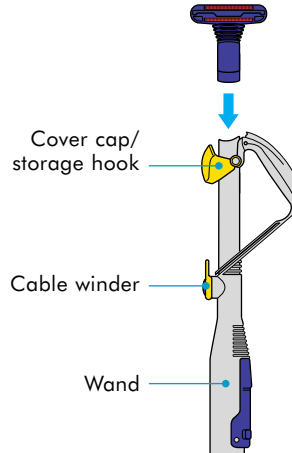
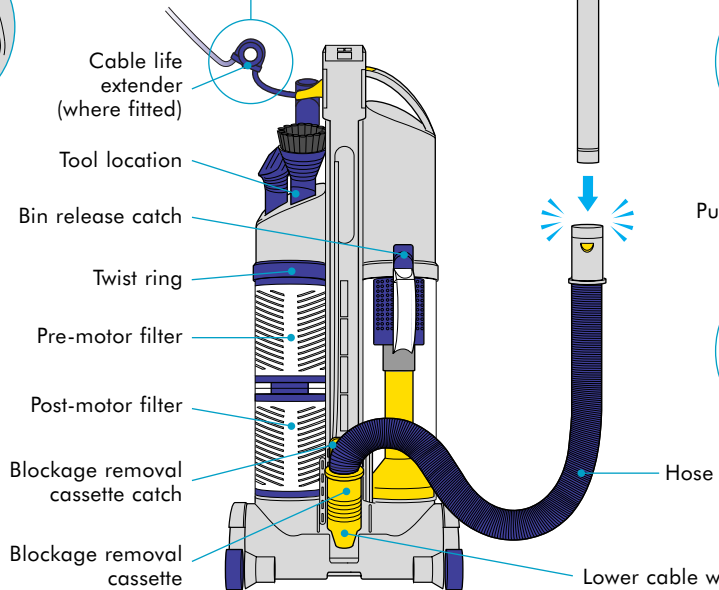
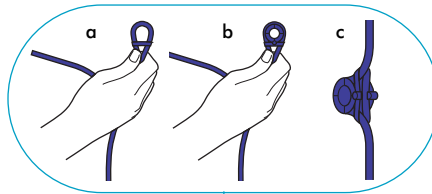
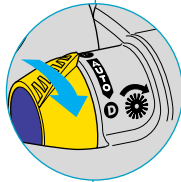
The brush control system is a simple device to allow cleaning of hard floors by switching off the brushbar. The height adjusts automatically.

- 
**(NEUTRAL) OFF** for cleaning delicate rugs and floors. Select manually **(NEUTRAL)**. Return to **(PARK)** position after use.
- 
**(PARK) OFF** for when the cleaner is left running in the upright position and when the hose is in use.
- 
**(DRIVE) ON** for carpet cleaning.

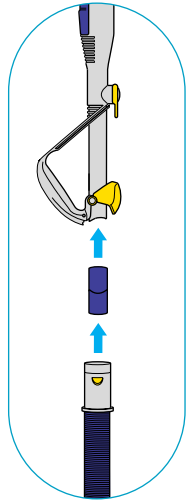
**THE SAFETY ALERT RATCHET NOISE WARNS THAT THE BRUSHBAR IS OBSTRUCTED**



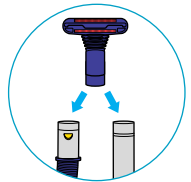
### Brush control system



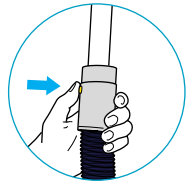
Fit adaptor tool to reverse wand



Fit tools to hose for car cleaning or reversed wand for confined areas

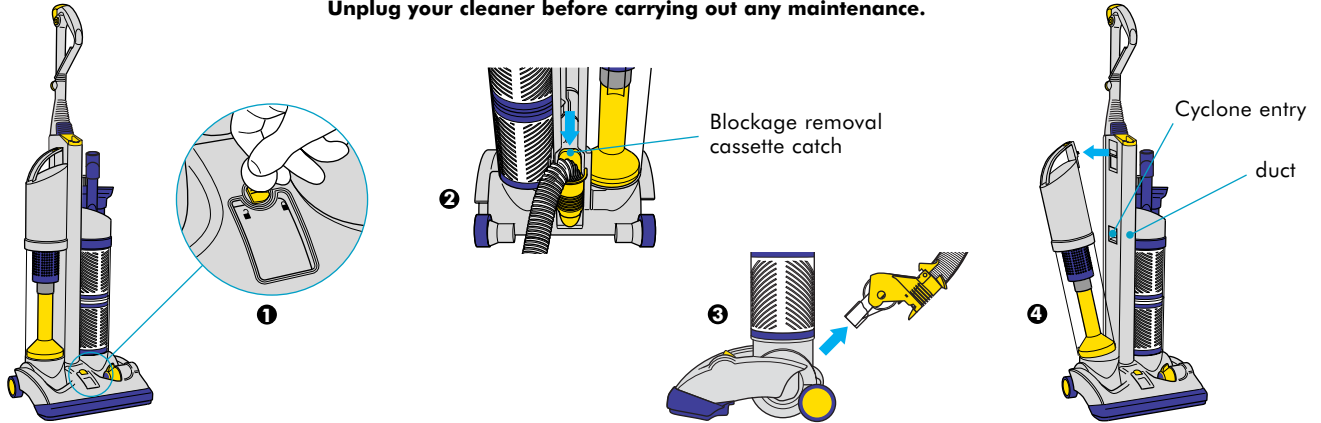


Push button to release or replace wand



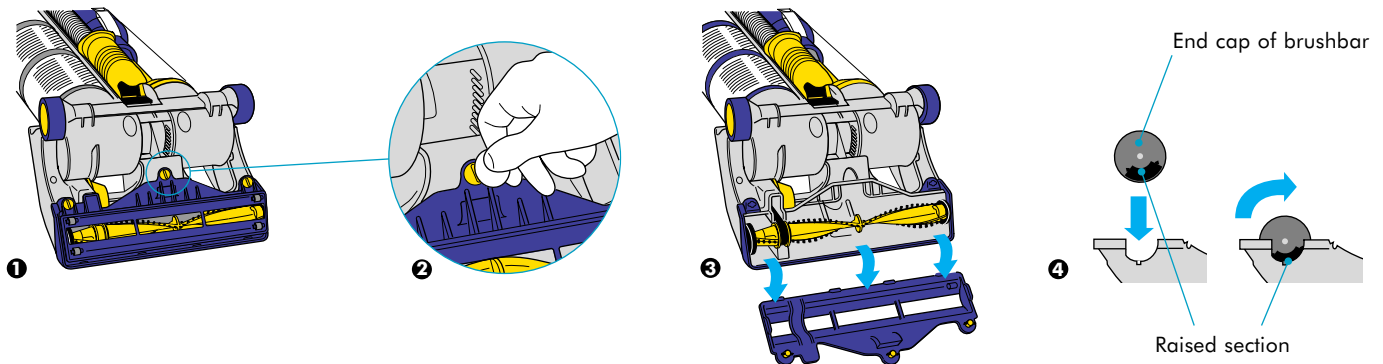
# Blockages and brushbar

**Unplug your cleaner before carrying out any maintenance.**



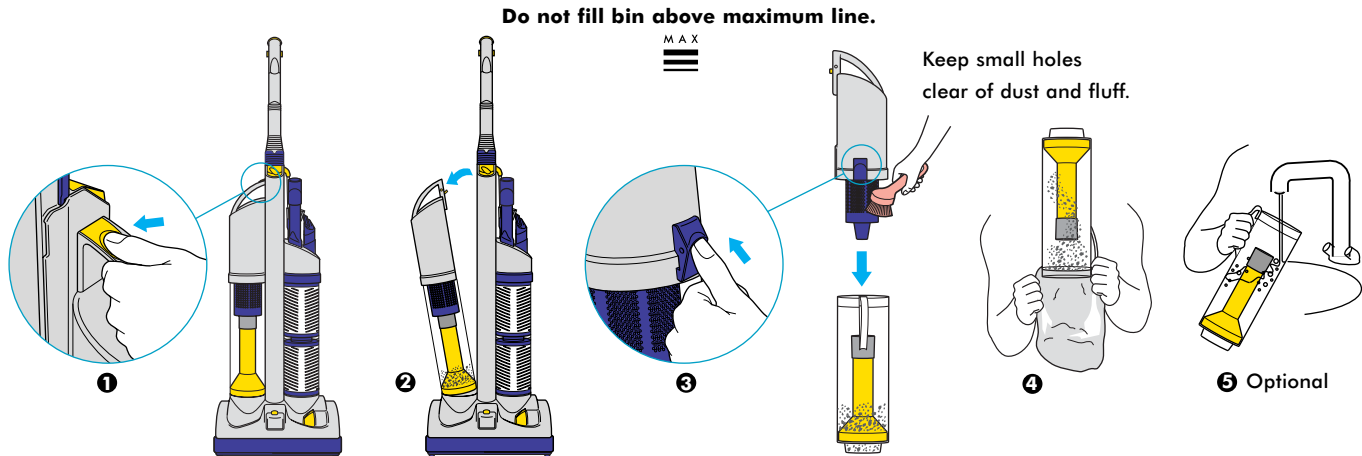
- 1** Using a coin, undo the yellow fastener to remove the quick release window. Check for blockage at the bottom of the duct and underneath the soleplate.
- 2** Remove wand from hose and look down the wand to check for daylight. Locate blockage removal cassette catch at base of hose location.
- 3** Pull back catch, remove cassette and check for blockage. To replace, position at 45° and click catch back into place.
- 4** Remove Cyclone assembly to check Cyclone entry and duct.

**If the brushbar is obstructed, a loud ratchet warning noise will be heard. Pull the cleaner away and it will automatically re-set itself. For thread removal, unplug cleaner and carefully cut away threads from brushbar.**



- 1** If ratchet warning noise continues, stop vacuuming, turn off the machine and unplug. To free the brushbar, lie the machine on its front to reveal the soleplate.
- 2** Using a coin, undo the three yellow fasteners.
- 3** Remove soleplate and clear the brushbar obstruction.
- 4** To replace brushbar, align and locate in slots. Rotate until the end caps click into place. Rotate brushbar to allow belt to centralise, then replace soleplate.

# Bin emptying



- ① Push Cyclone release catch forward to free Cyclone assembly.
- ② Pull Cyclone assembly away from the machine.
- ③ Push bin release catch forward to free the bin.
- ④ Wrap a plastic bag firmly around the rim of the clear bin™ and empty (wait ten seconds to allow dust to settle).
- ⑤ To clean bin, wash in warm water. Ensure bin inner and seals are replaced correctly and that the bin is completely dry before reassembling.

**DYSON CUSTOMER HELPLINE: 7000 435 7546**

Every Dyson vacuum cleaner comes with a 2 year guarantee. If you have a query about your Dyson, just call the Dyson Customer Helpline anytime from 9am-6pm Mon-Fri, 9am-1pm Sat. Most queries can be solved over the telephone by one of our factory-trained Helpline staff. If your cleaner needs attention from our engineers, we aim to have it repaired, tested and valeted within 3 working days.

## **When calling please have the following information ready:**

1. Serial number of your Dyson (between the wheels)
2. Your postcode
3. The date of purchase
4. Where you made your purchase.

# Washing your pre-motor filter

Dyson DCO3 lifetime filters have been developed to give you a vacuum cleaner with lifetime filtration, which means no additional running costs. The Dyson lifetime filters are:

Lifetime HEPA + bacteria-killing screen pre-motor filter  
Lifetime HEPA post-motor filter

**The lifetime pre-motor filter should be washed every 6 months.**

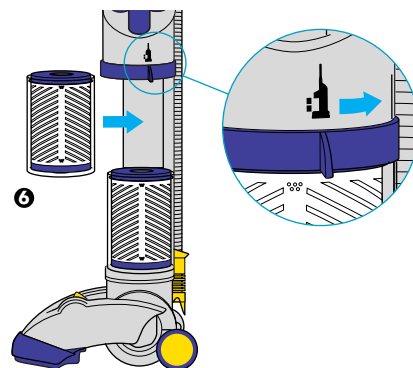
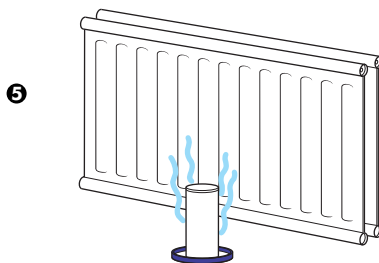
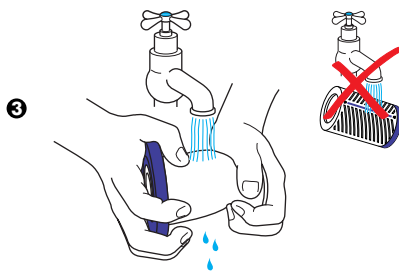
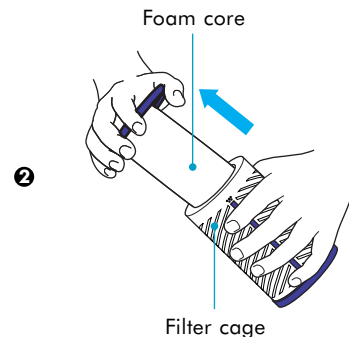
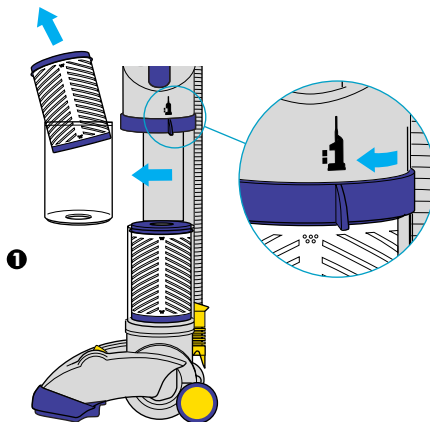
**Switch off and unplug cleaner before removing the filter.**

- 1 Rotate twist ring to the left to release filter case. Remove filter case from machine body. Lift out pre-motor filter.
- 2 Pull out the foam core inside the filter. **Only wash foam core.**
- 3 Gently rinse the foam core under a cold tap until the water runs clear. Do not use detergent, washing machine or dishwasher.

 **Do not wash the filter cage**

- 4 Squeeze the foam core.
- 5 Leave the foam core to dry in warm place, for example near a radiator or in an airing cupboard overnight. **Do not tumble/spin dry, microwave or place in oven or on direct heat.**
- 6 Ensure the core is completely dry before inserting into filter case. Replace filter case and rotate twist ring down and to the right to secure.

NB. The lifetime post-motor filter underneath should never need maintenance.



# Important safety instructions

**PLEASE READ CAREFULLY BEFORE USE**

Check that your supply corresponds to that shown on the rating plate. The appliance must only be used as rated, and it should be fitted with an approved fuse to BS1362. This appliance is supplied with a moulded three pin mains plug for your safety and convenience. A 13 amp fuse is fitted in this plug. Should the fuse need to be replaced, please ensure that the replacement fuse has a rating of 13 amps and that it is approved by ASTA or BSI to BS1362. Check for the ASTA mark or the BSI mark on the body of the fuse. If the plug contains a removable fuse cover you must ensure that it is refitted when the fuse is replaced. If you lose the fuse cover, the plug must not be used until a replacement cover is obtained. A replacement fuse cover can be purchased from your local Dyson dealer.

**If the fitted moulded plug is unsuitable for the socket outlet in your home then the fuse should be removed and the plug cut off and disposed of safely. There is a danger of severe electrical shock if the cut off plug is inserted into any 13 amp socket.**

If a new plug is to be fitted, please observe the wiring code as shown below. If in any doubt please consult a qualified electrician.

## IMPORTANT

The wires in this mains lead are coloured in accordance with the following code:

**BLUE:** Neutral      **BROWN:** Live

As the colours of the wire in the mains lead of this appliance may not correspond with the coloured markings identifying the terminals in your plug, proceed as follows:

1. The wire which is coloured BLUE must be connected to the terminal in the plug which is marked with the letter N or coloured BLACK.
2. The wire which is coloured BROWN must be connected to the terminal in the plug which is marked with the letter L or coloured RED.

*Under no circumstances should either of these wires be connected to the earth terminal of the three pin plug, marked with the letter E or the Earth Symbol  $\perp$  or coloured GREEN or GREEN and YELLOW.*

Always ensure that the cable clamp is fitted and that it clamps the cable outer and NOT the coloured wires.

How to replace the fuse:

1. Open the fuse compartment with a screwdriver.
2. Replace the fuse and fuse cover if detachable.

If the supply cable of the appliance is damaged, disconnect the appliance from the socket outlet immediately; the supply cable must be replaced. This should be carried out by Dyson Appliances Ltd only or its appointed agent, as special purpose tools and service techniques are required.

## EUROPEAN CONFORMITY INFORMATION

A sample of product has been tested and found to be in conformity with the following European Directives:

73/23/EEC Low Voltage (Safety) Directive
93/68/EEC CE Marking Directive
89/336/EEC EMC Directive

## UNWANTED PRODUCTS AND THE ENVIRONMENT

Should you find one day that your product needs replacement, or is of no further use to you, think of the protection of the environment. Dyson will accept your old products and recycle them in an environmentally friendly way.

## WHEN USING THE DYSON DC03 VACUUM CLEANER PLEASE ADHERE TO THESE SIMPLE PRECAUTIONS

By doing so you will reduce the risk of fire, electrical shock or injury.

- Do not leave the vacuum cleaner plugged into the mains socket outlet. Unplug from the outlet when not in use and before cleaning the appliance, and before maintenance operations.
- Ensure that hands, feet and fingers, particularly of small children are kept away from the cleaner and especially from the brushbar. If hanging the cleaner by the storage hook, ensure it is securely fixed and out of the way of children and pets. Never allow children to play with or use this appliance.
- Do not use without the bin assembly fitted correctly and both filters in place.
- Only use parts produced or recommended by Dyson (available on the Dyson Helpline on 7000 435 7546).
- Do not carry out any maintenance work on the cleaner other than that outlined in this manual, especially where electrical components are concerned.
- Ensure that the brushbar is off when cleaning smooth floors to avoid marking. If carpet pilling occurs, either use the cleaner with brushbar on to remove, or contact the carpet retailer.
- Static charges can occur in the clear bin when vacuuming certain carpets. These are entirely harmless and are not associated with the mains supply. To minimise any effect, do not put your hand or insert any object into the clear bin unless you have first emptied and rinsed out the clear bin with water. Use a cloth to wipe the shroud.
- Do not use the cleaner if the cable or plug are damaged or if the machine has been damaged, dropped or has come into contact with water or any other liquids. In these cases, contact the Dyson Helpline on 7000 435 7546.
- Do not put any part of the body, clothes or any object near or into the openings or moving parts of the machine. Do not use the machine with any of the openings blocked with an object that may restrict the airflow.
- Do not damage the cable by running the cleaner head over it, closing a door on it or running it over sharp edges. Do not put the cable near or on hot surfaces. If the cable is damaged, call the Dyson Helpline.
- Always stand above the machine when cleaning on the stairs.
- Do not, under any circumstances, use the cleaner to pick up water or any other liquid. Electrical shocks could occur if used outdoors or on wet surfaces.
- Do not use the cleaner or handle the plug with wet hands.
- Do not use the machine to pick up flammable or combustible substances and do not use near such substances. Never pick up asbestos or asbestos dust or poisonous solids, such as copier toner.
- Do not use the machine to pick up hot ashes or burning objects of any kind.
- Do not immerse the whole machine in water for cleaning. The clear bin alone may be washed out after emptying. Ensure bin inner and seals are replaced correctly and that the cleaner is completely dry before reassembling.
- Do not use the cleaner near open or gas fires when they are lit.
- Turn the machine off by the switch button before unplugging from a mains outlet.
- When carrying the cleaner, use only the carrying handle positioned immediately below the on/off switch.