



Briggs & Stratton[®]
POWER PRODUCTS

5250 running
watts

Emergency Power GENERATOR

Owner's Manual Manual del Propietario

Questions? Help is just a moment away!

Preguntas? La ayuda es justa un momento lejos!

Call: Generator Helpline - 1-800-743-4115 M-F 8-5 CT

Llamada: Generador Helpline - 1-800-743-4115 M-F 8-5 CT

**01970
(5250W)**

**01971
(5250W)**

POWERED BY



Manual No. 193449GS
Revision 1 (10/08/2003)



**BRIGGS & STRATTON POWER PRODUCTS GROUP, LLC
JEFFERSON, WISCONSIN, U.S.A.**

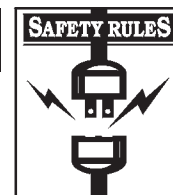


TABLE OF CONTENTS

Safety Rules..... 2-4
 Assembly 5
 Operation..... 6-9
 Maintenance..... 10
 Storage..... 11
 Troubleshooting..... 12
 Notes 13-14
 Warranty 15

EQUIPMENT DESCRIPTION



Read this manual carefully and become familiar with your generator. Know its applications, its limitations and any hazards involved.

The generators are an engine-driven, revolving field, alternating current (AC) generator. It was designed to supply electrical power for operating compatible electrical lighting, appliances, tools and motor loads. The generator's revolving field is driven at about 3,600 rpm by a single-cylinder engine.

CAUTION! DO NOT exceed the generator's wattage/ampere capacity. See "Don't Overload Generator" on page 9.

Every effort has been made to ensure that information in this manual is accurate and current. However, we reserve the right to change, alter or otherwise improve the product and this document at any time without prior notice.

The Emission Control System for this generator is warranted for standards set by the Environmental Protection Agency. For warranty information refer to the engine owner's manual.

In the State of California a spark arrester is required by law (Section 4442 of the California Public Resources Code). Other states may have similar laws. Federal laws apply on federal lands. If you equip the muffler with a spark arrester, it must be maintained in effective working order.

SAFETY RULES



This is the safety alert symbol. It is used to alert you to potential personal injury hazards. Obey all safety messages that follow this symbol to avoid possible injury or death.

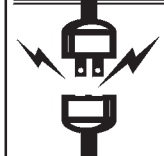
The safety alert symbol (▲) is used with a signal word (DANGER, CAUTION, WARNING), a pictorial and/or a safety message to alert you to hazards. **DANGER** indicates a hazard which, if not avoided, will result in death or serious injury. **WARNING** indicates a hazard which, if not avoided, could result in death or serious injury. **CAUTION** indicates a hazard which, if not avoided, might result in minor or moderate injury. **CAUTION**, when used without the alert symbol, indicates a situation that could result in equipment damage. Follow safety messages to avoid or reduce the risk of injury or death.

▲ WARNING

The engine exhaust from this product contains chemicals known to the State of California to cause cancer, birth defects, or other reproductive harm.

Hazard Symbols and Meanings

| | | |
|--------------------|------------------|------------------|
| | | |
| Electrocution | Electrical Shock | Electrical Shock |
| | | |
| Toxic Fumes | Explosion | Fire |
| | | |
| Explosive Pressure | Chemical Burn | Hot Surface |

SAFETY RULES

Portable Generator

**! DANGER**

Running generator gives off carbon monoxide, an odorless, colorless, poison gas. Breathing carbon monoxide will cause nausea, fainting or death.

- Operate generator **ONLY** outdoors.
- Keep at least 2 feet of clearance on all sides of generator for adequate ventilation.
- **DO NOT** operate generator inside any building or enclosure, including the generator compartment of a recreational vehicle (RV).

! DANGER

Generator produces powerful voltage. Failure to isolate generator from power utility can result in death or injury to electric utility workers due to backfeed of electrical energy.

- When using generator for backup power, notify utility company. Use approved transfer equipment to isolate generator from electric utility.
- Use a ground circuit fault interrupter (GFCI) in any damp or highly conductive area, such as metal decking or steel work.
- **DO NOT** touch bare wires or receptacles.
- **DO NOT** use generator with electrical cords which are worn, frayed, bare or otherwise damaged.
- **DO NOT** operate generator in the rain.
- **DO NOT** handle generator or electrical cords while standing in water, while barefoot, or while hands or feet are wet.
- **DO NOT** allow unqualified persons or children to operate or service generator.

! DANGER

Storage batteries give off explosive hydrogen gas during recharging. Hydrogen gas stays around battery for a long time after battery has been charged. Slightest spark will ignite hydrogen and cause explosion. You can be blinded or severely injured.



Battery electrolyte fluid contains acid and is extremely caustic. Contact with battery fluid will cause severe chemical burns.

- **DO NOT** allow any open flame, spark, heat, or lit cigarette during and for several minutes after charging a battery.
- Wear protective goggles, rubber apron, and rubber gloves.

! WARNING

Fuel and its vapors are extremely flammable and explosive.



Fire or explosion can cause severe burns or death.

WHEN ADDING FUEL

- Turn generator **OFF** and let it cool at least 2 minutes before removing fuel cap. Loosen cap slowly to relieve pressure in tank.
- Fill fuel tank outdoors.
- **DO NOT** overfill tank. Allow space for fuel expansion.
- Keep fuel away from sparks, open flames, pilot lights, heat, and other ignition sources.
- **DO NOT** light a cigarette or smoke.

WHEN OPERATING EQUIPMENT

- **DO NOT** tip engine or equipment at angle which causes fuel to spill.
- This generator is not for use in mobile equipment or marine applications.

WHEN TRANSPORTING OR REPAIRING EQUIPMENT

- Transport/repair with fuel tank **EMPTY** or with fuel shutoff valve **OFF**.
- Disconnect spark plug wire.

WHEN STORING FUEL OR EQUIPMENT WITH FUEL IN TANK


- Store away from furnaces, stoves, water heaters, clothes dryers or other appliances that have pilot light or other ignition source because they can ignite fuel vapors.

! WARNING

- This generator does not meet U. S. Coast Guard Regulation 33CFR-183 and should not be used on marine applications.
- Failure to use the appropriate U. S. Coast Guard approved generator could result in bodily injury and/or property damage.



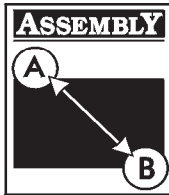
| | |
|---|--|
| ⚠ WARNING | |
|  | Unintentional sparking can result in fire or electric shock. |
|  | |
| WHEN ADJUSTING OR MAKING REPAIRS TO YOUR GENERATOR | |
| <ul style="list-style-type: none">• Disconnect the spark plug wire from the spark plug and place the wire where it cannot contact spark plug. | |

| | |
|---|---|
| ⚠ WARNING | |
|  | Running engines produce heat. Temperature of muffler and nearby areas can reach or exceed 150°F (65°C). Severe burns can occur on contact. |
| <ul style="list-style-type: none">• DO NOT touch hot surfaces.• Allow equipment to cool before touching. | |

| | |
|---|--|
| ⚠ CAUTION | |
| Excessively high operating speeds increase risk of injury and damage to generator. Excessively low speeds impose a heavy load. | |
| <ul style="list-style-type: none">• DO NOT tamper with governed speed. Generator supplies correct rated frequency and voltage when running at governed speed.• DO NOT modify generator in any way. | |

| |
|---|
| CAUTION |
| Exceeding generators wattage/amperage capacity can damage generator and/or electrical devices connected to it. |
| <ul style="list-style-type: none">• See “Don’t Overload Generator” on page 9.• Start generator and let engine stabilize before connecting electrical loads.• Connect electrical loads in OFF position, then turn ON for operation.• Turn electrical loads OFF and disconnect from generator before stopping generator. |

| |
|--|
| CAUTION |
| Improper treatment of generator can damage it and shorten its life. |
| <ul style="list-style-type: none">• Use generator only for intended uses.• If you have questions about intended use, ask dealer or call 1-800-743-4115.• Operate generator only on level surfaces.• DO NOT expose generator to excessive moisture, dust, dirt, or corrosive vapors.• DO NOT insert any objects through cooling slots.• If connected devices overheat, turn them off and disconnect them from generator.• Shut off generator if:<ul style="list-style-type: none">-electrical output is lost;-equipment sparks, smokes, or emits flames;-unit vibrates excessively. |



ASSEMBLY

Your generator requires some assembly and is ready for use after it has been properly serviced with the recommended oil and fuel.

If you have any problems with the assembly of your generator, please call the generator helpline at **1-800-743-4115**. If calling for assistance, please have the model, revision, and serial number from the data tag available.

Remove Generator From Carton

1. Set carton on a rigid flat surface with “This Side Up” arrows pointing upward.
2. Carefully open top flaps of shipping carton.
3. Cut down corners at one end of carton from top to bottom and lay that side of carton down flat.
4. Remove all packing material, carton fillers, etc.
5. Remove generator from shipping carton.
6. Install supplied accessories, as shown on installation sheet(s) packed with accessory.

BEFORE STARTING THE ENGINE

Add Engine Oil and Fuel

- Place generator on a level surface.

CAUTION

Any attempt to crank or start the engine before it has been properly filled with the recommended oil will result in equipment failure.

- Refer to engine manual for oil and fuel fill information.
 - Damage to equipment resulting from failure to follow this instruction will void warranty.
- Refer to engine owner’s manual and follow oil and fuel recommendations and instructions.

NOTE: Check oil often during engine break-in. Refer to engine owner’s manual for recommendations.

NOTE: The generator assembly rotates on a prelubricated and sealed ball bearing that requires no additional lubrication for the life of the bearing.



USING THE GENERATOR

System Ground

The generator has a system ground that connects the generator frame components to the ground terminals on the AC output receptacles. The system ground is connected to the AC neutral wire (see “Equipment Description”, earlier in this manual).

Special Requirements

There may be Federal or State Occupational Safety and Health Administration (OSHA) regulations, local codes, or ordinances that apply to the intended use of the generator. Please consult a qualified electrician, electrical inspector, or the local agency having jurisdiction.

- In some areas, generators are required to be registered with local utility companies.
- If the generator is used at a construction site, there may be additional regulations which must be observed.

Connecting to a Building’s Electrical System

Connections for standby power to a building’s electrical system must be made by a qualified electrician. The connection must isolate the generator power from utility power, and must comply with all applicable laws and electrical codes.

DANGER



Generator produces powerful voltage. Failure to isolate generator from power utility can result in death or injury to electric utility workers due to backfeed of electrical energy.

- When using generator for backup power, notify utility company. Use approved transfer equipment to isolate generator from electric utility.
- Use a ground fault circuit interrupter (GFCI) in any damp or highly conductive area, such as metal decking or steel work.
- DO NOT touch bare wires or receptacles.
- DO NOT use generator with electrical cords which are worn, frayed, bare or otherwise damaged.
- DO NOT operate generator in the rain.
- DO NOT handle generator or electrical cords while standing in water, while barefoot, or while hands or feet are wet.
- DO NOT allow unqualified persons or children to operate or service generator.

OPERATING THE GENERATOR

CAUTION

Exceeding generators wattage/amperage capacity can damage generator and/or electrical devices connected to it.

- See “Don’t Overload Generator” on page 9.
- Start generator and let engine stabilize before connecting electrical loads.
- Connect electrical loads in OFF position, then turn ON for operation.
- Turn electrical loads OFF and disconnect from generator before stopping generator.

Starting the Engine

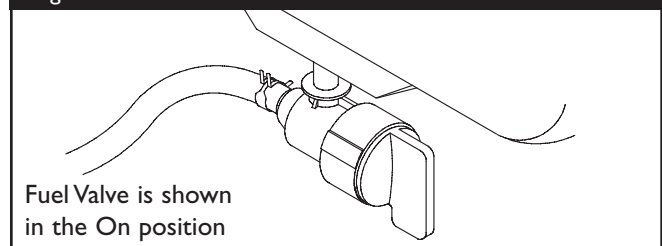
Disconnect all electrical loads from the generator. Use the following start instructions:

1. Make sure unit is on a level surface.

IMPORTANT: Failure to start and operate unit on a level surface will cause the unit not to start or shut down during operation.

2. Turn the fuel valve to the “On” position (Figure 1). The fuel valve handle should be vertical (pointing toward the ground) for fuel to flow.

Figure 1 — Fuel Valve



3. Start engine according to instructions given in the engine owner’s manual.

NOTE: If engine starts after 3 pulls but fails to run, or if unit shuts down during operation, make sure unit is on a level surface and check for proper oil level in crankcase. This unit may be equipped with a low oil protection device. See engine manual.



Connecting Electrical Loads

- Let engine stabilize and warm up for a few minutes after starting.
- Plug in and turn on the desired 120 and/or 240 Volt AC, single phase, 60 Hz electrical loads.
- **DO NOT** connect 240 Volt loads to the 120 Volt duplex receptacles.
- **DO NOT** connect 3-phase loads to the generator.
- **DO NOT** connect 50 Hz loads to the generator.
- **DO NOT OVERLOAD THE GENERATOR.** See “Don’t Overload the Generator” on page 9.

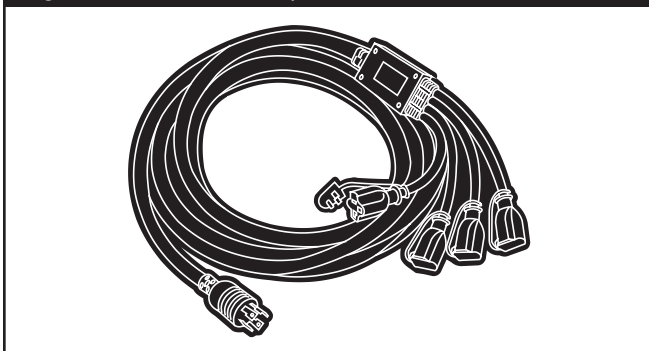
Stopping the Engine

1. Unplug **all** electrical loads from generator panel receptacles. Never start or stop engine with electrical devices plugged in and turned **ON**.
2. Let engine run at no-load for several minutes to stabilize internal temperatures of engine and generator.
3. Turn engine off according to instructions given in the engine owner’s manual.
4. Move fuel valve to “**Off**” position.

GENERATOR ADAPTER CORD SET

The generator is equipped with a 25' generator adapter cord set designed for a 240 Volt, 30 Amp grounded neutral circuit (Figure 2). The generator adapter cord set provides a convenient supply of emergency power into your dwelling so that your generator can be operated safely outside.

Figure 2 — Generator Adapter Cord Set



The maximum load on each outlet is 20 Amps. The maximum total load on both yellow wire outlets or both black wire outlets is 30 Amps.

NOTE: Follow all safety precautions when connecting any extension cord or device to the generator.

RECEPTACLES

The generator will be equipped with one or more of the following receptacles:

CAUTION

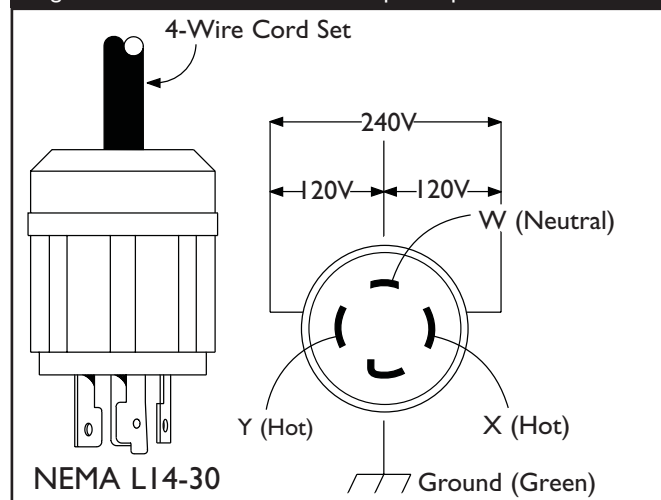
Receptacles may be marked with rating value greater than generator output capacity.

- **NEVER** attempt to power a device requiring more amperage than generator or receptacle can supply.
- **DO NOT** overload the generator. See “Don’t Overload Generator”.

120/240 Volt AC, 30 Amp, Locking Receptacle

Use a NEMA L14-30 plug with this receptacle. Connect a 4-wire cord set rated for 250 Volt AC loads at 30 Amps (or greater) (Figure 3). You can use the same 4-wire cord if you plan to run a 120 Volt load.

Figure 3 — 120/240 Volt AC, 30 Amp Receptacle



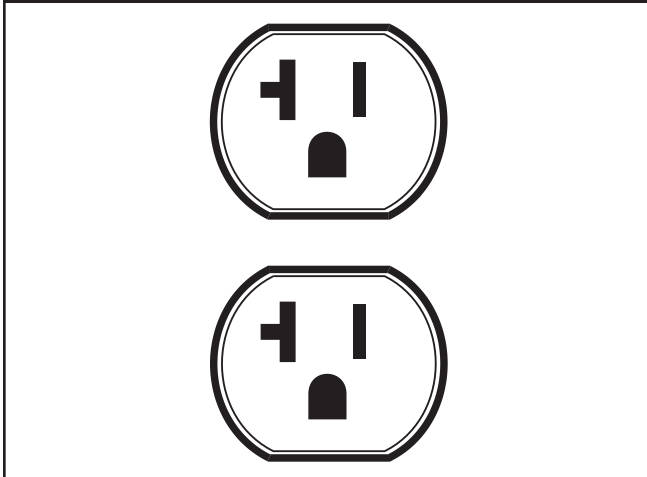
This receptacle powers 120/240 Volt AC, 60 Hz, single phase loads requiring up to 6,000 watts of power (6.0 kW) at 30 Amps for 120 Volts or 240 Volts. The outlet is protected by a push-to-reset circuit breaker.



120 Volt AC, 20 Amp, Duplex Receptacles

Each duplex receptacle (Figure 4) is protected against overload by a push-to-reset circuit breaker.

Figure 4 — 120 Volt, 20 Amp Duplex Receptacle



Use each receptacle to operate 120 Volt AC, single-phase, 60 Hz electrical loads requiring up to 2,400 watts (2.4 kW) at 20 Amps of current. Use cord sets that are rated for 125 Volt AC loads at 20 Amps (or greater).

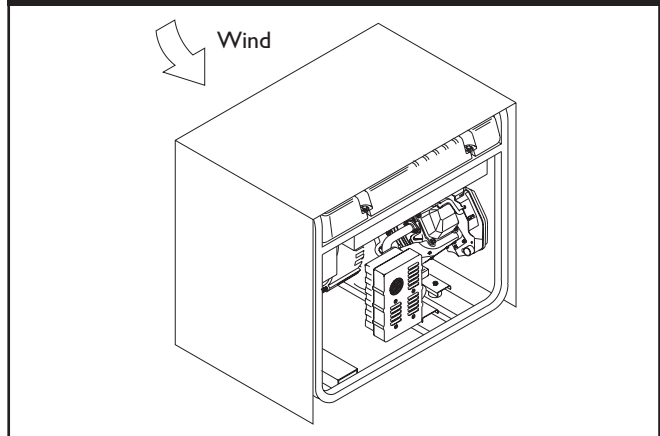
COLD WEATHER OPERATION

Under certain weather conditions (temperatures below 40°F [4°C] and a high dew point), your generator may experience icing of the carburetor and/or the crankcase breather system.

Build a structure that will enclose three sides and the top of the generator:

1. Make sure entire muffler-side of generator is exposed. Note that your generator may appear different from that shown in Figure 5.

Figure 5 — Permanent Cold Weather Shelter



2. Ensure a minimum of two feet clearance between open side of box and nearest object.
3. Face exposed end away from wind and elements.
4. Enclosure should hold enough heat created by the generator to prevent problems.

DANGER



Running generator gives off carbon monoxide, an odorless, colorless, poison gas. Breathing carbon monoxide will cause nausea, fainting or death.

- Operate generator **ONLY** outdoors.
- Keep at least 2 feet of clearance on all sides of generator for adequate ventilation.
- **DO NOT** operate generator inside any building or enclosure, including the generator compartment of a recreational vehicle (RV).
- Remove generator from shelter when temperature is above 40°F [4°C].



DON'T OVERLOAD GENERATOR

Capacity

You must make sure your generator can supply enough rated (running) and surge (starting) watts for the items you will power at the same time. Follow these simple steps:

1. Select the items you will power at the same time.
2. Total the rated (running) watts of these items. This is the amount of power your generator must produce to keep your items running. See Figure 6.
3. Estimate how many surge (starting) watts you will need. Surge wattage is the short burst of power needed to start electric motor-driven tools or appliances such as a circular saw or refrigerator. Because not all motors start at the same time, total surge watts can be estimated by adding only the item(s) with the highest additional surge watts to the total rated watts from step 2.

Example:

| Tool or Appliance | Rated (Running) Watts | Additional Surge (Starting) Watts |
|------------------------|--------------------------|-----------------------------------|
| Window Air Conditioner | 1200 | 1800 |
| Refrigerator | 800 | 1600 |
| Deep Freezer | 500 | 500 |
| Television | 500 | - |
| Light (75 Watts) | 75 | - |
| | 3075 Total Running Watts | 1800 Highest Surge Watts |

Total Rated (Running) Watts = 3075
 Highest Additional Surge Watts = 1800
 Total Generator Output Required = 4875

Power Management

To prolong the life of your generator and attached devices, it is important to take care when adding electrical loads to your generator. There should be nothing connected to the generator outlets before starting its engine. The correct and safe way to manage generator power is to sequentially add loads as follows:

1. With nothing connected to the generator, start the engine as described in this manual.
2. Plug in and turn on the first load, preferably the largest load you have.
3. Permit the generator output to stabilize (engine runs smoothly and attached device operates properly).

4. Plug in and turn on the next load.
5. Again, permit the generator to stabilize.
6. Repeat steps 4 and 5 for each additional load.

NEVER add more loads than the generator capacity. Take special care to consider surge loads in generator capacity, as described above.

Figure 6 - Wattage Reference Chart

| Tool or Appliance | Rated* (Running) Watts | Additional Surge (Starting) Watts |
|-----------------------------------|------------------------|-----------------------------------|
| Essentials | | |
| Light Bulb - 75 watt | 75 | - |
| Deep Freezer | 500 | 500 |
| Sump Pump | 800 | 1200 |
| Refrigerator/Freezer - 18 Cu. Ft. | 800 | 1600 |
| Water Well Pump - 1/3 HP | 1000 | 2000 |
| Heating/Cooling | | |
| Window AC - 10,000 BTU | 1200 | 1800 |
| Window Fan | 300 | 600 |
| Furnace Fan Blower - 1/2 HP | 800 | 1300 |
| Kitchen | | |
| Microwave Oven - 1000 Watt | 1000 | - |
| Coffee Maker | 1500 | - |
| Electric Stove - Single Element | 1500 | - |
| Hot Plate | 2500 | - |
| Family Room | | |
| DVD/CD Player | 100 | - |
| VCR | 100 | - |
| Stereo Receiver | 450 | - |
| Color Television - 27" | 500 | - |
| Personal Computer w/17" monitor | 800 | - |
| Other | | |
| Security System | 180 | - |
| AM/FM Clock Radio | 300 | - |
| Garage Door Opener - 1/2 HP | 480 | 520 |
| Electric Water Heater - 40 Gallon | 4000 | - |
| DIY/Job Site | | |
| Quartz Halogen Work Light | 1000 | - |
| Airless Sprayer - 1/3 HP | 600 | 1200 |
| Reciprocating Saw | 960 | 960 |
| Electric Drill - 1/2 HP | 1000 | 1000 |
| Circular Saw - 7 1/4" | 1500 | 1500 |
| Miter Saw - 10" | 1800 | 1800 |
| Table Planer - 6" | 1800 | 1800 |
| Table Saw/Radial Arm Saw - 10" | 2000 | 2000 |
| Air Compressor - 1-1/2 HP | 2500 | 2500 |

*Wattages listed are approximate only. Check tool or appliance for actual wattage.



GENERAL MAINTENANCE RECOMMENDATIONS

The Owner/Operator is responsible for making sure that all periodic maintenance tasks are completed on a timely basis; that all discrepancies are corrected; and that the unit is kept clean and properly stored. **NEVER operate a damaged or defective generator.**

Engine Maintenance

See engine owner's manual for instructions.

| | |
|---|----------------|
| | CAUTION |
| Avoid prolonged or repeated skin contact with used motor oil. | |
| <ul style="list-style-type: none"> • Used motor oil has been shown to cause skin cancer in certain laboratory animals. • Thoroughly wash exposed areas with soap and water. | |



KEEP OUT OF REACH OF CHILDREN. DON'T POLLUTE. CONSERVE RESOURCES. RETURN USED OIL TO COLLECTION CENTERS.

Generator Maintenance

Generator maintenance consists of keeping the unit clean and dry. Operate and store the unit in a clean dry environment where it will not be exposed to excessive dust, dirt, moisture or any corrosive vapors. Cooling air slots in the generator must not become clogged with snow, leaves or any other foreign material.

NOTE: DO NOT use a garden hose to clean generator. Water can enter engine fuel system and cause problems. In addition, if water enters generator through cooling air slots, some of the water will be retained in voids and cracks of the rotor and stator winding insulation. Water and dirt buildup on the generator internal windings will eventually decrease the insulation resistance of these windings.

| | | |
|---|--|--|
| | | WARNING |
| | | Unintentional sparking can result in fire or electric shock. |
| WHEN ADJUSTING OR MAKING REPAIRS TO YOUR GENERATOR | | |
| <ul style="list-style-type: none"> • Disconnect the spark plug wire from the spark plug and place the wire where it cannot contact spark plug. | | |

Generator Cleaning

- Use a damp cloth to wipe exterior surfaces clean.

| | |
|---|--|
| CAUTION | |
| Improper treatment of generator can damage it and shorten its life. | |
| <ul style="list-style-type: none"> • DO NOT expose generator to excessive moisture, dust, dirt, or corrosive vapors. • DO NOT insert any objects through cooling slots. | |

- Use a soft bristle brush to loosen caked on dirt or oil.
- Use a vacuum cleaner to pick up loose dirt and debris.
- Use low pressure air (not to exceed 25 psi) to blow away dirt. Inspect cooling air slots and opening on generator. These openings must be kept clean and unobstructed.



STORAGE

The generator should be started at least once every seven days and allowed to run at least 30 minutes. If this cannot be done and you must store the unit for more than 30 days, use the following guidelines to prepare it for storage.

Generator Storage

- Clean the generator as outlined in “Generator Cleaning”.
- Check that cooling air slots and openings on generator are open and unobstructed.



WARNING

Storage covers can be flammable.

- DO NOT place a storage cover over a hot generator.
- Let equipment cool for a sufficient time before placing the cover on the equipment.

Engine Storage

See engine owner’s manual for instructions.

Other Storage Tips

- To prevent gum from forming in fuel system or on essential carburetor parts, empty all three supplied fuel stabilizer containers into fuel tank and fill with fresh fuel. Run the unit for several minutes to circulate the additive through the carburetor. The unit and fuel can then be stored for up to 24 months. Additional fuel stabilizer can be purchased locally.
- DO NOT store fuel from one season to another unless it has been treated as described above.
- Replace fuel container if it starts to rust. Rust and/or dirt in fuel can cause problems if it's used with this unit.
- Store unit in a clean and dry area.



TROUBLESHOOTING

| Problem | Cause | Correction |
|--|---|--|
| No AC output is available, but generator is running. | <ol style="list-style-type: none"> One of the circuit breakers is open. Fault in generator. Poor connection or defective cord set. Connected device is bad. | <ol style="list-style-type: none"> Reset circuit breaker. Contact Authorized service facility. Check and repair. Connect another device that is in good condition. |
| Generator runs good at no-load but "bogs" down" when loads are connected. | <ol style="list-style-type: none"> Short circuit in a connected load. Generator is overloaded. Shorted generator circuit. | <ol style="list-style-type: none"> Disconnect shorted electrical load. See "Don't Overload Generator". Contact Authorized service facility. |
| Generator will not start; or starts and runs rough. | Low oil level. | Fill crankcase to proper level or place generator on level surface. |
| Generator shuts down during operation. | <ol style="list-style-type: none"> Out of fuel. Low oil level. | <ol style="list-style-type: none"> Fill fuel tank. Fill crankcase to proper level or place generator on level surface. |
| Generator lacks power. | Load is too high. | See "Don't Overload Generator". |

| NOTES |
|-------|
| |
| |
| |
| |
| |
| |
| |
| |
| |
| |



NOTES



| NOTES |
|-------|
| |
| |
| |
| |
| |
| |
| |
| |
| |
| |

NOTES

BRIGGS & STRATTON POWER PRODUCTS GROUP, LLC EQUIPMENT OWNER WARRANTY POLICY

LIMITED WARRANTY

Briggs & Stratton Power Products Group, LLC will repair or replace, free of charge, any part(s), of the equipment that is defective in material or workmanship or both. Transportation charges on parts submitted for repair or replacement under this warranty must be borne by purchaser. This warranty is effective for the time periods and subject to the conditions stated below. For warranty service, find the nearest Authorized Service Dealer in our dealer locator map at www.briggspowerproducts.com.

THERE IS NO OTHER EXPRESS WARRANTY. IMPLIED WARRANTIES, INCLUDING THOSE OF MERCHANTABILITY AND FITNESS FOR A PARTICULAR PURPOSE, ARE LIMITED TO ONE YEAR FROM PURCHASE, OR TO THE EXTENT PERMITTED BY LAW ANY AND ALL IMPLIED WARRANTIES ARE EXCLUDED. LIABILITY FOR INCIDENTAL OR CONSEQUENTIAL DAMAGES ARE EXCLUDED TO THE EXTENT EXCLUSION IS PERMITTED BY LAW. Some states or countries do not allow limitations on how long an implied warranty lasts, and some states or countries do not allow the exclusion or limitation of incidental or consequential damages, so the above limitation and exclusion may not apply to you. This warranty gives you specific legal rights and you may also have other rights which vary from state to state or country to country.

OUR EQUIPMENT*

| | | | | | |
|-----------------------|------------------------|---|---------------------------|---|------------------------|
| OUTBOARD MOTOR | PRESSURE WASHER | WATER PUMP (Not available in the USA) | PORTABLE GENERATOR | HOME GENERATOR SYSTEM (Includes Transfer Switch, if sold with equipment.) | TRANSFER SWITCH |
| | | | | Less than 10 KW | 10 KW or greater |

WARRANTY PERIOD**

| | | | | | | | |
|----------------|---------|---------|---------|---------|---------|-----------------------|--------|
| Consumer Use | 2 years | 1 year | 1 year | 2 years | 2 years | 3 years or 1500 hours | 1 year |
| Commercial Use | none | 90 days | 90 days | 1 year | 1 year | | |

* The engine and starting batteries are warranted solely by the manufacturers of those products.

** 2 years for all consumer products in the European Union. Parts only on 2nd year for consumer use of Portable Generator and Home Generator System - Less than 10 KW, outside of European Union.

The warranty period begins on the date of purchase by the first retail consumer or commercial end user, and continues for the period of time stated in the table above. "Consumer use" means personal residential household use by a retail consumer. "Commercial use" means all other uses, including use for commercial, income producing or rental purposes. Once equipment has experienced commercial use, it shall thereafter be considered as commercial use for purposes of this warranty. **Equipment used for Prime Power in place of utility are not applicable to this warranty. Electric Powered Pressure Washers used for commercial purposes are not warranted.**

NO WARRANTY REGISTRATION IS NECESSARY TO OBTAIN WARRANTY ON BRIGGS & STRATTON PRODUCTS. SAVE YOUR PROOF OF PURCHASE RECEIPT. IF YOU DO NOT PROVIDE PROOF OF THE INITIAL PURCHASE DATE AT THE TIME WARRANTY SERVICE IS REQUESTED, THE MANUFACTURING DATE OF THE PRODUCT WILL BE USED TO DETERMINE THE WARRANTY PERIOD.

ABOUT YOUR EQUIPMENT WARRANTY

We welcome warranty repair and apologize to you for being inconvenienced. Any Authorized Service Dealer may perform warranty repairs. Most warranty repairs are handled routinely, but sometimes requests for warranty service may not be appropriate. For example, warranty service would not apply if equipment damage occurred because of misuse, lack of routine maintenance, shipping, handling, warehousing or improper installation. Similarly, the warranty is void if the manufacturing date or the serial number on the equipment has been removed or the equipment has been altered or modified. During the warranty period, the Authorized Service Dealer, at its option, will repair or replace any part that, upon examination, is found to be defective under normal use and service. This warranty will not cover the following repairs and equipment:

- **Normal Wear:** Outdoor Power Equipment, like all mechanical devices, needs periodic parts and service to perform well. This warranty does not cover repair when normal use has exhausted the life of a part or the equipment.
- **Installation and Maintenance:** This warranty does not apply to equipment or parts that have been subjected to improper or unauthorized installation or alteration and modification, misuse, negligence, accident, overloading, overspeeding, improper maintenance, repair or storage so as, in our judgment, to adversely affect its performance and reliability. This warranty also does not cover normal maintenance such as adjustments, fuel system cleaning and obstruction (due to chemical, dirt, carbon, lime, etc.).
- **Other Exclusions:** This warranty excludes wear items such as quick couplers, oil gauges, belts, o-rings, filters, pump packing, etc., pumps that have been run without water supplied or damage or malfunctions resulting from accidents, abuse, modifications, alterations, or improper servicing or freezing or chemical deterioration. Accessory parts such as guns, hoses, wands and nozzles are excluded from the product warranty. Also excluded is used, reconditioned, and demonstration equipment; equipment used for prime power in place of utility power and equipment used in life support applications.



TABLA DE CONTENIDOS

| | |
|----------------------------------|-------|
| Reglas De Seguridad | 16-18 |
| Ensamblaje. | 19 |
| Funcionamiento. | 20-23 |
| Mantenimiento | 24 |
| Almacenamiento. | 25 |
| Diagnosticos De Averías. | 26 |
| Notas | 27 |
| Garantía | 28 |

DESCRIPCIÓN DEL EQUIPO



Lea este manual de manera cuidadosa y familiarícese con su generador. Conozca sus usos, sus limitaciones y cualquier peligro relacionado con el mismo.

Este generador funciona en base a un motor, de campo eléctrico giratorio y de corriente alterna (AC). Fue diseñado con la finalidad de proveer energía eléctrica para luces eléctricas, aparatos, herramientas compatibles y cargas de motor. El campo giratorio del generador funciona a una velocidad de 3,6000 rpm usando un motor con un solo cilindro.

¡PRECAUCIÓN! NO sobrepase la capacidad de vataje y amperaje del generador. Revise "No Sobrecargue Generador" en la página 23.

Se ha hecho cada esfuerzo posible para asegurarse que la información que aparece en este manual es exacta y se encuentra actualizada. Sin embargo, nosotros se reserva el derecho a cambiar, alterar o de otra manera mejorar, el producto y este documento en cualquier momento, sin previo aviso.

El Sistema de Control de Emisiones para este generador está garantizado para juegos estándares por la Agencia de Protección Ambiental. Para mayor información acerca de la garantía, consulte con el manual del propietario del motor.

En el estado de California es obligatorio, según la ley, el uso de apagachispas (Sección 4442 del Código de Recursos Públicos de California). Otros estados pueden tener leyes similares. Las leyes federales se aplican en tierras federales. Si equipa el silenciador con un apagachispas, este deberá ser mantenido en buenas condiciones de trabajo.

INSTRUCCIONES DE SEGURIDAD



Éste es el símbolo de alerta de seguridad. Sirve para advertir al usuario de un posible riesgo para su integridad física. Siga todos los mensajes de seguridad que figuren después de este símbolo para evitar lesiones o incluso la muerte.

El símbolo de alerta de seguridad () es usado con una palabra (PELIGRO, ADVERTENCIA, PRECAUCIÓN), un mensaje por escrito o una ilustración, para alertarlo acerca de cualquier situación de peligro que pueda existir. **PELIGRO** indica un riesgo el cual, si no se evita, *causará* la muerte o una herida grave.

ADVERTENCIA indica un riesgo el cual, si no se evita, *puede* causar la muerte o una herida grave. **PRECAUCIÓN** indica un riesgo, el cual, si no se evita, *puede* causar heridas menores o moderadas. **PRECAUCIÓN**, cuando se usa *sin* el símbolo de alerta, indica una situación que podría resultar en el daño del equipo. Siga los mensajes de seguridad para evitar o reducir los riesgos de heridas e inclusive la muerte.



ADVERTENCIA

El escape del motor de este producto contiene elementos químicos reconocidos en el Estado de California por producir cáncer, defectos de nacimiento u otros daños de tipo reproductivo.

Símbolos de Peligro y Significados

| | | |
|---|---|---|
|  |  |  |
| Electrocutamiento | Descarga Eléctrica | Descarga Eléctrica |
|  |  |  |
| Gases Tóxicos | Explosión | Fuego |
|  |  |  |
| Presión Explosiva | Quemaduras Química | Superficie Caliente |



⚠ PELIGRO



Al generador funcionar, se produce monóxido de carbono, un gas inodoro y venenoso. El respirar el monóxido de carbono, producirá náusea, desmayo o la muerte.

- Opere el generador SOLAMENTE al aire libre.
- Mantenga al menos 2 pies de espacio libre alrededor del generador, para la adecuada ventilación.
- NO opere el generador dentro de un edificio o lugar cerrado, incluyendo el compartimiento del generador en un vehículo recreativo o RV.

⚠ PELIGRO



Los generadores producen un voltaje muy poderoso. Si no aísla el generador de utilidades de energía, puede hacer que los trabajadores de electricidad sufran heridas graves e inclusive la muerte, debido a la retroalimentación de la energía eléctrica.

- Cuando use un generador como poder de energía auxiliar, notifique a la compañía de utilidades. Use el equipo de transferencia aprobado para aislar el generador de otra utilidad eléctrica.
- Use un interruptor para la falla del circuito de tierra (GFCI) en cualquier área bastante húmeda o que sea altamente conductiva, tales como terrazas de metal o trabajo hecho con acero.
- NO toque los alambres pelados o receptáculos.
- NO use un generador con cables eléctricos que estén malgastados, rotos, pelados o dañados de cualquier forma.
- NO opere el generador bajo la lluvia.
- NO maneje el generador o cables eléctricos mientras esté parado en agua, descalzo o cuando las manos y los pies estén mojados.
- NO permita que personas descalificadas o niños operen o sirvan al generador.

⚠ PELIGRO



Las baterías almacenadas producen hidrógeno explosivo mientras estén siendo recargadas. El hidrógeno puede permanecer cerca de la batería por un periodo largo de tiempo, después que la batería haya sido recargada. Una pequeña chispa puede encender el hidrógeno y causar una explosión. Usted puede quedar ciego o sufrir heridas muy graves.



El fluido de electrolito de la batería contiene ácido y es extremadamente cáustico. El contacto con el fluido de la batería puede causar quemaduras químicas severas.

- NO permita ninguna llama abierta, chispa, calor, o encienda un cigarrillo durante y por varios minutos después de haber recargado la batería.
- Lleve puestos las gafas protectoras, delantal y guantes de goma.

⚠ ADVERTENCIA



La gasolina y sus vapores son extremadamente inflamables y explosivos.



El fuego o una explosión pueden causar quemaduras severas e inclusive la muerte.

CUANDO AÑADA COMBUSTIBLE

- Apague el generador (posición OFF) y déjelo enfriar al menos por 2 minutos antes de remover la tapa de la gasolina. Afloje la tapa lentamente para dejar que la presión salga del tanque.
- Llene el tanque al aire libre.
- NO llene demasiado el tanque. Permita al menos espacio para la expansión del combustible.
- Mantenga la gasolina alejada de chispas, llamas abiertas, pilotos, calor y otras fuentes de ignición.
- NO encienda un cigarrillo o fume.

CUANDO OPERE EL EQUIPO

- NO incline el motor o el equipo, de tal manera que la gasolina se pueda derramar.
- Este generador no es apto para el uso en equipos móviles ni en aplicaciones marinas.

CUANDO TRANSPORTE O REPARE EL EQUIPO

- Transporte o repare el equipo con el tanque de combustible vacío, o con la válvula para apagar el combustible, apagada (posición OFF).
- Desconecte el cable de la bujía.

CUANDO ALMACENE O GUARDE EL EQUIPO CON COMBUSTIBLE EN EL TANQUE

- Almacene alejado de calderas, estufas, calentadores de agua, secadores de ropa u otros aparatos electrodomésticos que posean pilotos u otras fuentes de ignición, porque ellos pueden encender los vapores de la gasolina.

⚠ ADVERTENCIA

- Este generador no cumple la norma 33CFR-183 del cuerpo de guardacostas de EE.UU. y no debe utilizarse en aplicaciones marinas.
- El uso de un generador no homologado por cuerpo de guardacostas de EE.UU. puede provocar lesiones y daños materiales.



⚠ ADVERTENCIA

  Chispear involuntario puede tener como resultado el fuego o el golpe eléctrico.

CUANDO AJUSTE O HAGA REPARACIONES A SU GENERADOR

- Siempre desconecte el alambre de la bujía y colóquelo donde no pueda entrar en contacto con la bujía.

⚠ ADVERTENCIA

 Los motores al funcionar producen calor. La temperatura del silenciador y de las áreas cercanas puede alcanzar o pasar los 150°F (65°C). Quemaduras severas pueden ocurrir al hacer contacto.

- NO toque las superficies calientes.
- Permita que el equipo se enfríe antes de tocarlo.

⚠ PRECAUCIÓN

Las velocidades de operación en exceso, aumentan los riesgos de heridas y daños al generador.
Las velocidades bajan en exceso, imponen una carga muy pesada.

- NO cambie ninguna velocidad determinada. El generador suministra una frecuencia y un voltaje calificado cuando funciona a una velocidad determinada.
- NO modifique al generador en ninguna forma.

PRECAUCIÓN

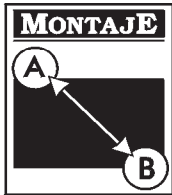
El sobrepasar la capacidad del amperaje y vataje del generador, puede dañar al generador y los aparatos eléctricos conectados al mismo.

- Vea "No sobrecargue generador" en la página 23.
- Encienda su generador y deje que el motor se establezca antes de conectar las cargas eléctricas.
- Conecte las cargas eléctricas en la posición de apagado (OFF), luego encienda (ON) para su operación.
- Apague (OFF) las cargas eléctricas y desconéctelas del generador antes de parar el generador.

PRECAUCIÓN

El tratamiento inadecuado del generador puede dañarlo y acortar su vida productiva.

- Use el generador solamente con la finalidad para el cual fue diseñado.
- Si usted tiene alguna pregunta acerca de las finalidades de uso del generador, pregúntele a su concesionario o contacte el comerciante autorizado.
- Opere el generador solamente en superficies niveladas.
- NO esponga al generador a una humedad excesiva, polvo, suciedad o vapores corrosivos.
- NO inserte cualquier objeto a través de las ranuras de enfriamiento.
- Si los aparatos conectados se sobrecalientan, apáguelos y desconéctelos del generador.
- Apague el generador si:
 - Se pierde la salida eléctrica;
 - El equipo produce chispas, humo o emite llamas;
 - La unidad vibra de una manera excesiva.



MONTAJE

Su generador requiere de ciertos procedimientos de montaje y solo estará listo para ser utilizado después de haberle suministrado servicio con el combustible y aceite recomendados.

Si usted tiene problemas con el montaje de su generador, por favor llame a la línea de ayuda para generadores al 1-800-743-4115. Si llamar para la ayuda, tiene por favor el modelo, la revisión y el número de serie de etiqueta de datos disponible.

Para Retirar el Generador de la Caja

1. Coloque la caja sobre una superficie plana y rígida, con las flechas que dicen "this side up" hacia arriba.
2. Abra con cuidado las tapas superiores de la caja de envío.
3. Corte de arriba a abajo las esquinas de uno de los lados de la caja y coloque ese lado de la caja sobre el suelo.
4. Retire todo el material de empaque, relleno, etc.
5. Saque el generador de la caja de envío.

ANTES DE DARLE ARRANQUE AL MOTOR

Agregar Aceite al Motor y Gasolina

- Coloque la generador sobre una superficie nivelada.

PRECAUCIÓN

Cualquier intento para arancar el motor antes de haberle proporcionado el mantenimiento apropiado con el aceite recomendado, podría ocasionar la falla del motor.

- Consulte el manual del propietario del motor para añadir al motor el aceite y el combustible recomendado
- El daño a la lavadora a presión, resultado de la desatención a esta precaución, no será cubierto por la garantía.
- Consulte el manual del propietario del motor para añadir al motor el aceite y el combustible recomendado.

NOTA: Verifique el aceite del motor de manera frecuente cuando éste se esfuerce demasiado. Consulte el manual del propietario del motor para conocer cuáles son las recomendaciones al respecto.

NOTA: El campo giratorio del generador se encuentra en un cojinete pre-lubricado y sellado que no requiere lubricación adicional por la vida útil del cojinete.

USO DEL GENERADOR

Tierra del Sistema

El generador dispone de una conexión a tierra del sistema que conecta los componentes del bastidor a los terminales de tierra de los enchufes hembra de salida de CA. La tierra del sistema está conectada al cable de CA neutro que, a su vez, está conectado al bastidor del generador (vea "Descripción del Equipo").

Requisitos Especiales

Es posible que haya normas u ordenanzas locales y nacionales en materia de seguridad e higiene en el trabajo aplicables al uso del generador. Consulte con un electricista cualificado, un inspector eléctrico o el organismo competente.

- En algunas zonas, es obligatorio registrar los generadores en las compañías eléctricas locales.
- Si el generador se utiliza en una obra, puede ser necesario cumplir normas y requisitos adicionales.

Conexión al Sistema Eléctrico de un Edificio

Las conexiones a efectos de alimentación de reserva al sistema eléctrico de un edificio deben ser realizadas por un electricista cualificado. La conexión debe aislar la alimentación del generador de la alimentación de la red pública y debe cumplir todas las leyes y normas eléctricas vigentes.

PELIGRO



Los generadores producen un voltaje muy poderoso. Si no aísla el generador de utilidades de energía, puede hacer que los trabajadores de electricidad sufran heridas graves e inclusive la muerte, debido a la retroalimentación de la energía eléctrica.

- Cuando use un generador como poder de energía auxiliar, notifique a la compañía de utilidades. Use el equipo de transferencia aprobado para aislar el generador de otra utilidad eléctrica.
- Use un interruptor para la falla del circuito de tierra (GFCI) en cualquier área bastante húmeda o que sea altamente conductiva, tales como terrazas de metal o trabajo hecho con acero.
- NO toque los alambres pelados o receptáculos.
- NO use un generador con cables eléctricos que estén malgastados, rotos, pelados o dañados de cualquier forma.
- NO opere el generador bajo la lluvia.
- NO maneje el generador o cables eléctricos mientras esté parado en agua, descalzo o cuando las manos y los pies estén mojados.
- NO permita que personas descalificadas o niños operen o sirvan al generador.

OPERANDO EL GENERADOR

PRECAUCIÓN

El sobrepasar la capacidad del amperaje y vataje del generador, puede dañar al generador y los aparatos eléctricos conectados al mismo.

- Vea "No sobrecargue generador" en la página 23.
- Encienda su generador y deje que el motor se estabilice antes de conectar las cargas eléctricas.
- Conecte las cargas eléctricas en la posición de apagado (OFF), luego encienda (ON) para su operación.
- Apague (OFF) las cargas eléctricas y desconéctelas del generador antes de parar el generador.

Encienda el Motor

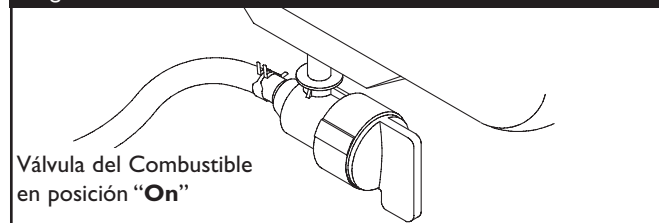
Desconecte todas las cargas eléctricas del generador. Use las siguientes instrucciones para encender:

1. Asegúrese de que la unidad está en una superficie plana.

IMPORTANTE: Si la unidad no se arranca y utiliza en una superficie plana, se pueden producir problemas de arranque y de parada durante el funcionamiento.

2. Gire la válvula del combustible a la posición "On" (Figura 7). El asidero de la válvula del combustible debe ser vertical (señalar hacia el suelo) para el combustible para fluir.

Figura 7 — Válvula de Combustible



3. Ponga en marcha el motor tal y como se explica en el manual del propietario del motor.

NOTA: Si el motor arranca después de tirar tres veces del arrancador pero no sigue funcionando, o si la unidad se para en funcionamiento, asegúrese de que la unidad está en una superficie plana y compruebe que el nivel de aceite del cigüeñal es correcto. La unidad puede equiparse con un dispositivo de protección de bajo nivel de aceite.

Conexión De Cargas Electricas

- Deje que el motor se estabilice y se caliente por unos minutos después del arranque.
- Conecte y encienda las cargas eléctricas de 120 y/o 240 Voltios AC monofásicas de 60 Hz que desee.
- NO conecte cargas de 240 Voltios a tomacorrientes de 120 Voltios.
- NO conecte cargas trifásicas al generador.



- NO CONECTE cargas de 50 Hz al generador.
- **NO SOBRECARGUE EL GENERADOR.** Vea "No Sobrecargue Generador" en la página 23.

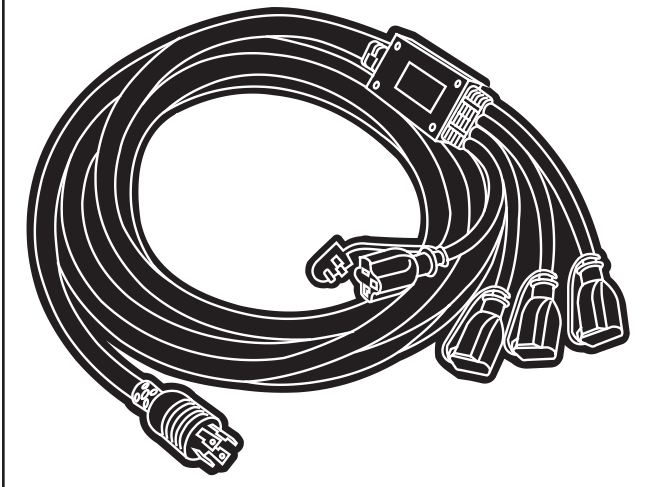
Parado Del Motor

1. Desconecte todas las cargas eléctricas de los tomacorrientes del panel del generador. NUNCA de arranque o detenga el motor con todos los dispositivos eléctricos conectados y encendidos.
2. Deje que el motor funcione sin cargas por algunos minutos para estabilizar las temperaturas internas del motor y el generador.
3. Pare el motor tal y como se explica en el manual del propietario del motor.
4. Cierre la válvula del combustible.

JUEGO DE CABLES DEL ADAPTADOR DEL GENERADOR

El generador está equipado con un Juego de Cables del Adaptador del Generador de 25 pies, diseñado para un circuito neutro a tierra de 240 voltios, 30 Amperios (Figura 8). El juego de cables del adaptador del generador provee un suministro conveniente de energía para cualquier emergencia en su propiedad, de tal manera que su generador pueda ser operado seguramente en el exterior.

Figura 8 — Juego de Cables del Adaptador del Generador



La carga máxima en cada tomacorriente es de 20 Amperios. La carga máxima total tanto en el tomacorriente de cable amarillo como el tomacorriente de cable negro, es de 30 Amperios.

NOTA: Siga todas las instrucciones de seguridad cuando conecte cualquier cable de extensión o aparato al generador.

RECEPTÁCULOS



PRECAUCIÓN

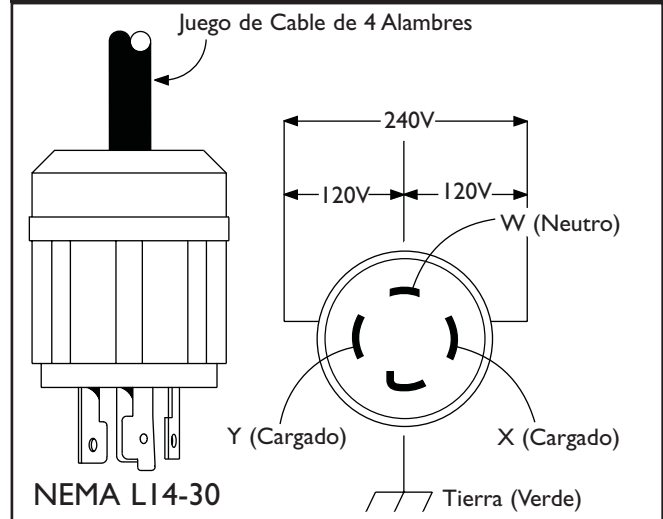
El valor nominal que se indica en los enchufes hembra puede ser superior a la capacidad de salida del generador.

- NUNCA intente suministrar corriente a un dispositivo de amperaje superior al que puede suministrar el generador o el enchufe hembra.
- NO sobrecargue el generador. Consulte el apartado "No Sobrecargue Generador".

120/240 Voltios AC, 30 Amp, Receptáculo de Seguridad

Use un tapón NEMA L14-30 con este receptáculo. Conecte un juego de cable de 4 alambres, clasificado como 250 Voltios AC a 30 Amps (o mayor) (Figura 9). Usted puede usar el mismo cable de 4-alambres si planea trabajar con una carga de 120 Voltios.

Figura 9 — 120/240 Volt AC, 30 Amp, Receptáculo de Seguridad

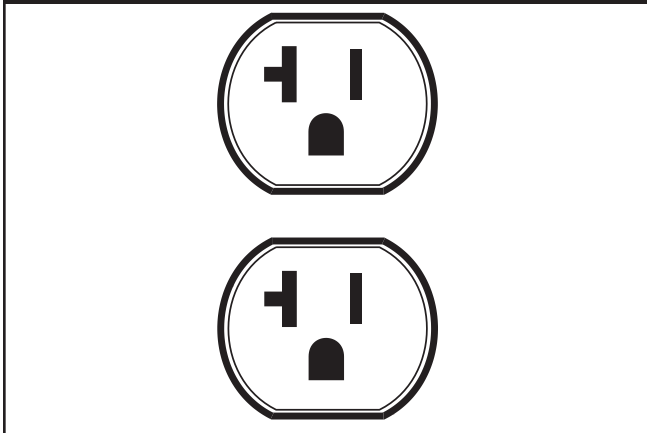


Este receptáculo le provee poder a cargas de 120/240 Voltios AC, de 60 Hz, fase sencilla, que requieren hasta 6,000 vatios de energía (6.0 kW) a 30 Amps, para 120 Voltios o 240 Voltios. La salida está protegida por un corto-circuito de, del tipo "empuje para reposicionar".

120 Volt AC, 20 Amp, Receptáculos Dobles

Cada receptáculo (Figura 10) está protegido en contra de sobrecargas por un corto-circuitos de, del tipo "empuje para reposicionar".

Figura 10 — 120 Volt AC, 20 Amp Receptáculo Doble



Use cada receptáculo para operar 120 Voltios AC, de fase sencilla, de cargas de 60Hz que requieren hasta 2,400 vatios (2.4 kW) a corrientes de 20 Amps. Use los juegos de cables que son calificados para cargas de 125 Voltios AC, a 20 Amps (o mayores).

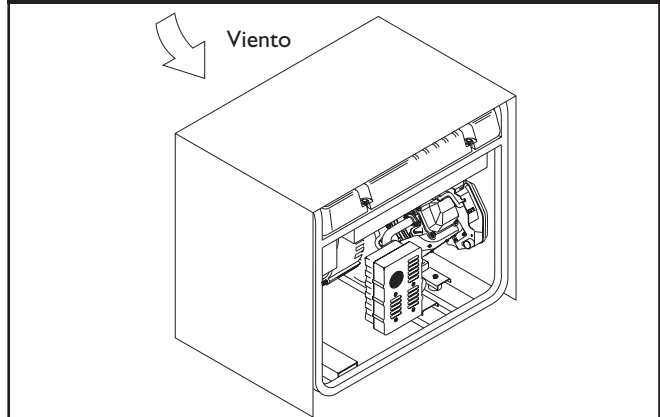
Operación Durante un Clima Frío

Bajo ciertas condiciones ambientales (temperaturas por debajo de los 40°F [4°C] y un punto alto Dew), su generador puede experimentar congelamiento del carburador y/o el sistema de respiradero del cigüeñal.

Construya una estructura que pueda cubrir los tres lados y la parte superior del generador:

1. Asegúrese que el lado del amortiguador del generador está expuesto. Aquí se muestra una unidad típica, su unidad puede tener otra apariencia, como se muestra en la Figura 11.

Figura 11 — Refugio Frío Permanente del Tiempo



2. Asegúrese que existe un espacio mínimo de dos pies entre el lado abierto de la caja y el objeto más cercano.
3. Coloque la parte abierta fuera del viento y otros elementos.
4. La cobertura debería aguantar el calor suficiente creado por el generador para prevenir problemas.

⚠ PELIGRO



Al generador funcionar, se produce monóxido de carbono, un gas inodoro y venenoso.

El respirar el monóxido de carbono, producirá náusea, desmayo o la muerte.

- Opere el generador SOLAMENTE al aire libre.
- Mantenga al menos 2 pies de espacio libre alrededor del generador, para la adecuada ventilación.
- NO opere el generador dentro de un edificio o lugar cerrado, incluyendo el compartimento del generador en un vehículo recreativo o RV.
- Retire la protección cuando la temperatura sea superior a 4° C [40° F].



NO SOBRECARGUE GENERADOR

Capacidad

Usted debe asegurarse que su generador puede proveer el suficiente vataje calificado (cuando esté funcionando) y de carga (al encender) para los aparatos a los cuales va a proveer la energía, al mismo tiempo. Siga estos pasos:

1. Seleccione los aparatos que recibirán la energía, al mismo tiempo.
2. Totalice los vatios calificados (cuando esté funcionando) de estos aparatos. Esta es la cantidad de energía que su generador debe producir para mantener esos aparatos funcionando adecuadamente. Vea la Figura 12.
3. Calcule la cantidad de vatios de carga (al encender) que usted necesitará. El vataje de carga es la cantidad mínima de electricidad, necesaria para encender herramientas o aparatos con motores eléctricos, tales como, sierras circulares o refrigeradores. Debido a que no todos los motores se encienden al mismo momento, el vataje total de carga se puede estimar al añadir solamente el(los) aparato(s) con el vataje adicional más alto, al total del vataje calificado, obtenido en el paso 2.

Ejemplo:

| Herramienta o Aparato Eléctrico | Vatios Calificados (cuando esté funcionando) | Vatios Adicionales de Carga (al encender) |
|---------------------------------|--|---|
| Aire Acondicionado de Ventana | 1200 | 1800 |
| Refrigerador | 800 | 1600 |
| Congelador industrial | 500 | 500 |
| Televisión | 500 | - |
| Luz (75 Vatios) | 75 | - |
| | Total = 3075 Vatios para funcionar | 1800 (Vatios de Carga más alto) |

Vataje Total Calificado (cuando esté funcionando) = 3075

Vataje de Carga Adicional más alto = 1800

Salida Total Requerida del Generador = 4875

Control de la Energía

Para prolongar la vida de su generador y los aparatos que estén conectados al mismo, es muy importante cuidarlo cuando se le añaden cargas eléctricas. Nada debería estar conectado a los tomacorrientes del generador antes de que su motor sea encendido. La forma correcta y más segura para controlar la energía del generador, es la de añadir en secuencias las cargas, como se describe a continuación:

1. Sin tener nada conectado al generador, encienda el motor de la manera descrita en este manual.
2. Conecte y encienda la primera carga, preferiblemente la mayor que usted tenga.
3. Permita que la salida del generador se estabilice (el motor funciona suavemente y el aparato conectado al mismo trabaja adecuadamente).

4. Conecte y encienda la próxima carga.
5. De nuevo, permita que el generador se estabilice.
6. Repita los pasos 4 y 5 para cada carga adicional que usted tenga.

NUNCA añada más cargas sobre la capacidad del generador. Tome una atención especial en considerar las cargas de corriente según la capacidad del generador, como se describe arriba.

Figura 12 - Guía de Referencia de Vataje

| Herramienta o Aparato Eléctrico | Vatios Calificados* (cuando esté funcionando) | Vatios Adicionales de Carga (al encender) |
|--|---|---|
| Esenciales | | |
| Bombilla - 75 vatios | 75 | - |
| Congelador industrial | 500 | 500 |
| Bomba de aguas negras | 800 | 1200 |
| Refrigerador / congelador - 18 pies cúbicos | 800 | 1600 |
| Bomba de agua - 1/3 HP | 1000 | 2000 |
| Calefacción / enfriamiento | | |
| Aire Acond. de ventana - 10.000 BTU | 1200 | 1800 |
| Ventilador de ventana | 300 | 600 |
| Calefactor de caldera - 1/2 HP | 800 | 1300 |
| Cocina | | |
| Horno de microondas - 1.000 Vatios | 1000 | - |
| Cafetera | 1500 | - |
| Cocina eléctrica - Elemento simple | 1500 | - |
| Calentaplatos | 2500 | - |
| Habitación Familiar | | |
| Tocador de DVD/CD | 100 | - |
| VCR | 100 | - |
| Receptor estéreo | 450 | - |
| Televisor a color - 27 pulg. | 500 | - |
| Computadora personal con monitor de 17 pulg. | 800 | - |
| Otros | | |
| Sistema de seguridad | 180 | - |
| Radio-Reloj AM/FM | 300 | - |
| Abridor de garaje - 1/2 HP | 480 | 520 |
| Calentador eléctrico de agua - 40 galones | 4000 | - |
| Taller | | |
| Luz de halógeno para trabajar | 1000 | - |
| Rociador sin aire - 1/3 HP | 600 | 1200 |
| Sierra intercambiable | 960 | 960 |
| Taladro eléctrico - 1/2 HP | 1000 | 1000 |
| Sierra circular - 7 1/4 pulg. | 1500 | 1500 |
| Sierra inglete - 10 pulg. | 1800 | 1800 |
| Mesa de planificación - 6 pulg. | 1800 | 1800 |
| Sierra de mesa / sierra de brazo radial - 10 pulg. | 2000 | 2000 |
| Compresor de aire - 1-1/2 HP = Caballo de fuerza. | 2500 | 2500 |

*El vataje que aparece en la lista es solamente una cantidad aproximada. Verifique la herramienta o aparato eléctrico para obtener el vataje verdadero.



RECOMENDACIONES GENERALES DE MANTENIMIENTO

El propietario / operador es responsable por asegurarse de que todos los trabajos periódicos de mantenimiento se lleven a cabo adecuadamente; que todos los problemas son resueltos; y que la unidad se mantiene limpia y adecuadamente almacenada. NUNCA opere un generador que esté dañado o defectuoso.

Mantenimiento del Motor

Consulte el manual del propietario del motor para las instrucciones de cómo mantener adecuadamente el motor.

| | |
|---|-------------------|
| | PRECAUCIÓN |
| Evite el contacto prolongado o repetido de piel con aceite usado de motor. | |
| <ul style="list-style-type: none"> • El aceite usado del motor ha sido mostrado al cancer de la piel de la causa en ciertos animales del laboratorio. • Completamente lavado expuso áreas con el jabón y el agua. | |



MANTENGA FUERA DE ALCANCE DE NIÑOS. NO CONTAMINE. CONSERVE los RECURSOS. VUELVA ACEITE USADO A la COLECCION CENTRA.

Mantenimiento del Generador

El mantenimiento del generador consiste en conservar la unidad limpia y seca. Opere y almacene la unidad en un ambiente limpio y seco donde no será expuesta al polvo, suciedad, humedad o vapores corrosivos. Las ranuras del aire de enfriamiento del generador no deben estar tapadas con nieve, hojas, o cualquier otro material extraños. Revise frecuentemente la limpieza del generador y límpielo cuando esté con polvo, sucio, con aceite, humedad, o cuando otras sustancias extrañas sean visibles en su superficie exterior.

NOTA: NO recomendamos el uso de mangueras de jardín para limpiar el generador. El agua podría introducirse en el sistema de combustible del motor y causar problemas. Además, si el agua se introduce al generador a través de las ranuras para aire de enfriamiento, algo del agua quedará retenida en los espacios vacíos y grietas del aislamiento del devanado del estator y rotor. La acumulación de agua y suciedad en los devanados internos del generador disminuirá eventualmente la resistencia del aislamiento de estos devanados.

| | |
|---|---|
| | ADVERTENCIA |
| | Chispear involuntario puede tener como resultado el fuego o el golpe eléctrico. |
| | |
| CUANDO AJUSTE O HAGA REPARACIONES A SU GENERADOR | |
| <ul style="list-style-type: none"> • Siempre desconecte el alambre de la bujía y colóquelo donde no pueda entrar en contacto con la bujía. | |

Para Limpiar el Generador

- Utilice un trapo húmedo para limpiar las superficies exteriores.

| |
|---|
| PRECAUCIÓN |
| El tratamiento inadecuado del generador puede dañarlo y acortar su vida productiva. |
| <ul style="list-style-type: none"> • NO esponga al generador a una humedad excesiva, polvo, suciedad o vapores corrosivos. • NO inserte cualquier objeto a través de las ranuras de enfriamiento. |

- Puede usar un cepillo de cerdas suaves para retirar la suciedad endurecida, aceite, etc.
- Puede usar una máquina aspiradora para eliminar suciedad y residuos sueltos.
- Puede usar aire a baja presión (que no exceda los 25 psi) para eliminar la suciedad. Inspeccione las ranuras para aire de enfriamiento y la apertura del generador. Estas aperturas deberán mantenerse limpias y despejadas.



ALMACENAMIENTO

El generador deberá ser encendido al menos una vez cada siete días y deberá dejarlo funcionar al menos durante 30 minutos. Si no puede hacer esto y debe almacenar la unidad por más de 30 días, siga las siguientes instrucciones para preparar su unidad para almacenamiento.

Almacenando el Generador

- Limpie el generador como está descrito en (“Para Limpiar el Generador”).
- Revise que las ranuras para el aire de enfriamiento y las aperturas del generador se encuentren abiertas y despejadas.



ADVERTENCIA

Las cubiertas para almacenamiento pueden ser inflamables.

- NO coloque una cubierta encima de un generador caliente.
- Deje que la unidad se enfríe lo suficientemente antes de que le coloque la cubierta.

Almacenando el Motor

Consulte el manual del propietario del motor para las instrucciones de cómo preparar adecuadamente el motor para su almacenamiento.

Otras Sugerencias Para el Almacenando

- Para evitar la formación de carbonilla en el circuito de combustible o en piezas esenciales del carburador, añada estabilizador de combustible al depósito de combustible y llene este de gasolina nueva. Haga funcionar la unidad durante varios minutos para que el aditivo circule a través del carburador. La unidad y el combustible se pueden almacenar durante un máximo de 24 meses. El estabilizador de combustible se puede adquirir donde se vaya a usar el equipo.
- NO almacene gasolina de una estación a otra estación, al menos que haya sido tratada como se mencionó antes.
- Reemplace la caneca de gasolina si comienza a oxidarse. El óxido y/o la suciedad en la gasolina le causará problemas.
- Almacene la unidad en un área limpia y seca.

DIAGNOSTICOS DE AVERÍAS

| Problema | Accion | Causa |
|---|---|--|
| El motor está funcionando pero no existe salida de AC disponible. | <ol style="list-style-type: none"> 1. El interruptor automático de circuito está abierto. 2. Conexión mal o defectuosa del juego de cables. 3. El dispositivo conectado está dañado. 4. Avería en el generador. | <ol style="list-style-type: none"> 1. Reposicione el interruptor. 2. Revise y repare. 3. Conecte otro dispositivo que esté buenas condiciones. 4. Contacte el distribuidor de servicio autorizado. |
| El motor funciona bien sin carga pero "funciona mal" cuando se le conectan cargas. | <ol style="list-style-type: none"> 1. Corto circuito en una de las cargas conectadas. 2. El generador está sobrecarga. 3. Circuito del generador en corto. | <ol style="list-style-type: none"> 1. Desconecte la carga eléctrica en corto. 2. Vea "No Sobrrecarque Generador". 3. Contacte el distribuidor de servicio autorizado. |
| El motor no se enciende; o se enciende y funciona mal. | Nivel de aceite insuficiente. | Llene el cárter hasta el nivel correcto o sitúe el generador en una superficie plana. |
| El motor se apaga en pleno funcionamiento. | <ol style="list-style-type: none"> 1. Sin gasolina. 2. Nivel de aceite insuficiente. | <ol style="list-style-type: none"> 1. Llene el tanque de combustible. 2. Llene el cárter hasta el nivel correcto o sitúe el generador en una superficie plana. |
| Al motor le hace falta potencia. | La carga es muy alta. | Vea "No Sobrrecarque Generador". |

| |
|--------------|
| NOTAS |
| |
| |
| |
| |
| |
| |
| |
| |
| |
| |



NOTAS

**POLÍTICA DE GARANTÍA PARA EL PROPIETARIO DE EQUIPOS
BRIGGS & STRATTON POWER PRODUCTS GROUP, LLC**

GARANTÍA LIMITADA

Briggs & Stratton Power Products Group, LLC reparará o sustituirá sin cargo alguno cualquier componente del equipo que presente defectos de materiales y/o mano de obra. Los gastos de transporte de las piezas enviadas para reparar o sustituir conforme a los términos de esta garantía correrán a cargo del comprador. El periodo de vigencia y las condiciones de esta garantía son los que se estipulan a continuación. Para obtener servicio en garantía, localice el distribuidor de servicio autorizado más próximo en nuestro mapa de distribuidores, en www.briggspowerproducts.com.

NO EXISTE NINGUNA OTRA GARANTÍA EXPLÍCITA. LAS GARANTÍAS IMPLÍCITAS, INCLUIDAS LAS DE COMERCIABILIDAD O IDONEIDAD PARA UN FIN CONCRETO, SE LIMITAN A UN AÑO DESDE LA FECHA DE COMPRA O AL LÍMITE DE TIEMPO PERMITIDO POR LA LEY. QUEDAN EXCLUIDAS TODAS LAS GARANTÍAS IMPLÍCITAS QUEDA EXCLUIDA LA RESPONSABILIDAD POR DAÑOS SECUNDARIOS Y DERIVADOS HASTA EL LÍMITE PERMITIDO POR LA LEY. Algunos países o estados no permiten limitar la duración de una garantía implícita ni excluir o limitar los daños secundarios y derivados. Por tanto, es posible que las limitaciones y exclusiones mencionadas no sean aplicables en su caso. Esta garantía le otorga determinados derechos legales y es posible que tenga otros derechos que pueden variar de un país o estado a otro.

NUESTRO EQUIPO*

| | | | | | |
|-------------------------|-----------------------------|--|---------------------------|---|--------------------|
| MOTOR FUERABORDA | LIMPIADORA A PRESIÓN | BOMBA DE AGUA (No disponible en EE.UU.) | GENERADOR PORTÁTIL | SISTEMA GENERADOR DOMÉSTICO (Incluye el conector, si se ha adquirido con el equipo.) | CONECTADOR |
| | | | | Menos de 10 kW | 10 kW ó más |

PERÍODO DE GARANTÍA**

| | | | | | | | |
|--------------------|---------|---------|---------|---------|---------|----------------------|-------|
| Uso del consumidor | 2 años | 1 año | 1 año | 2 años | 2 años | 3 años ó 1.500 horas | 1 año |
| Uso comercial | ninguno | 90 días | 90 días | ninguno | ninguno | | |

* El motor y las baterías de arranque sólo están cubiertos por la garantía de su fabricante.

** 2 años para todos los productos de consumo en la Unión Europea. Componentes sólo durante el segundo año para uso del consumidor del generador portátil y del sistema generador doméstico - Menos de 10 kW fuera de la Unión Europea.

El periodo de garantía comienza en la fecha de compra del primer consumidor o usuario comercial final y se prolonga durante el tiempo especificado en la siguiente tabla. "Uso del consumidor" significa uso doméstico personal por parte de un consumidor final. "Uso comercial" significa cualquier otro uso, incluidos los usos con fines comerciales, de generación de ingresos o alquiler. Una vez que el equipo se haya usado con fines comerciales, se considerará como equipo de uso comercial a efectos de esta garantía. **Los equipos utilizados para suministrar energía en sustitución de un servicio público no pueden acogerse a esta garantía. Las limpiadoras a presión con alimentación eléctrica para fines comerciales no están cubiertas por la garantía.**

NO ES NECESARIO REGISTRAR LA GARANTÍA PARA OBTENER SERVICIO DE BRIGGS & STRATTON PRODUCTS. GUARDE SU RECIBO DE COMPRA. SI NO APORTA LA PRUEBA DE LA FECHA DE COMPRA INICIAL, SE UTILIZARÁ LA FECHA DE FABRICACIÓN DEL PRODUCTO PARA DETERMINAR EL PERÍODO DE GARANTÍA.

ACERCA DE LA EQUIPO GARANTÍA

Esperamos que disfrute de nuestra garantía y le pedimos disculpas por las molestias causadas. Cualquier distribuidor de servicio autorizado puede llevar a cabo reparaciones en garantía. La mayoría de las reparaciones en garantía se gestionan normalmente, pero algunas veces la solicitud de servicio en garantía puede no ser procedente. Por ejemplo, la garantía no será válida si el equipo presenta daños debidos al mal uso, la falta de mantenimiento, el transporte, la manipulación, el almacenamiento o la instalación inadecuados. De manera similar, la garantía quedará anulada si se ha borrado la fecha de fabricación o el número de serie del equipo, o si el equipo ha sido alterado o modificado. Durante el periodo de garantía, el distribuidor de servicio autorizado podrá reparar o sustituir, a su libre elección, cualquier pieza que, previa inspección, sea defectuosa en condiciones normales de uso y servicio. Esta garantía no cubre las reparaciones y equipos que se detallan a continuación:

- **Desgaste normal:** Al igual que cualquier otro aparato mecánico, los equipos de uso en exteriores necesitan piezas y mantenimiento periódicos para funcionar correctamente. Esta garantía no cubre las reparaciones cuando el uso normal haya agotado la vida útil de una pieza concreta del equipo.
- **Instalación y mantenimiento:** Esta garantía no cubre los equipos ni las piezas cuya instalación sea incorrecta o no haya sido autorizada, ni aquellos que hayan sido objeto de cualquier tipo de alteración, mal uso, negligencia, accidente, sobrecarga, exceso de velocidad o mantenimiento, reparación o almacenamiento inadecuados que, a nuestro juicio, haya afectado negativamente a su funcionamiento y su fiabilidad. La garantía tampoco cubre el mantenimiento normal, como los ajustes y la limpieza, o la obstrucción del sistema de combustión (debido a materias químicas, suciedad, carbón, cal, etc.).
- **Otras exclusiones:** También quedan excluidos de esta garantía el desgaste de los artículos tales como conectores, medidores de aceite, correas, juntas tóricas, filtros, juntas de bombas, etc., las bombas que se hayan hecho funcionar sin agua y los daños derivados de accidentes, uso indebido, modificaciones, alteraciones, servicio inadecuado, congelación o deterioro químico. Los accesorios tales como pistolas, mangueras, varillas y boquillas quedan excluidos de la garantía del producto. También se excluyen los equipos usados o reacondicionados y los destinados a demostraciones; los equipos utilizados como fuente principal de energía en lugar de un servicio público y los equipos sanitarios destinados al mantenimiento de las constantes vitales.

BRIGGS & STRATTON POWER PRODUCTS GROUP, LLC
JEFFERSON, WI, EE.UU





Briggs & Stratton[®]
POWER PRODUCTS

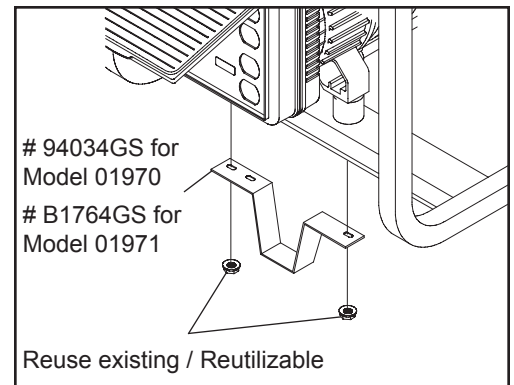
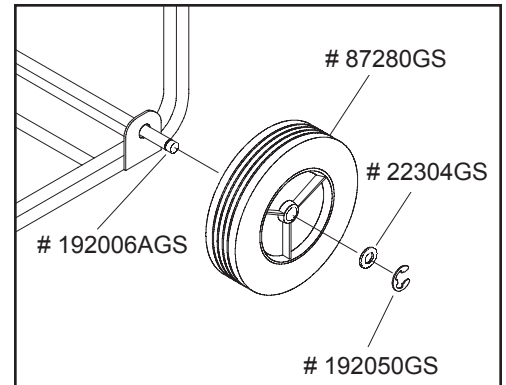
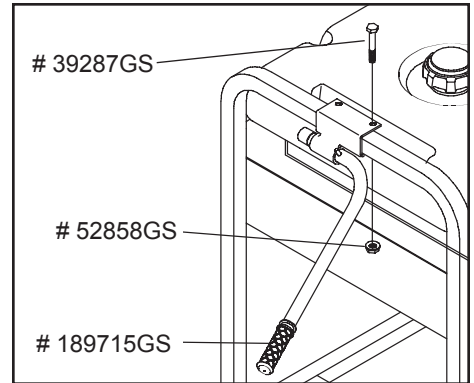
5250 running
watts

Emergency Power GENERATOR



Part Numbers Shown

Números de pieza a la vista



INSTRUCTION SHEET HOJA DE LA INSTRUCCION

Kit Features:

- 8" Wheels
- Handle
- Axle

Características del juego:

- Ruedas de 20,32 cm (8")
- Manubrio
- Eje

POWERED BY



Part No. 193470GS
Revision 1 (10/13/2003)

BRIGGS & STRATTON POWER PRODUCTS GROUP, LLC
JEFFERSON, WISCONSIN, U.S.A.





Briggs & Stratton[®]
POWER PRODUCTS

5250 running
watts

Emergency Power GENERATOR

Illustrated Parts List Las Partes ilustradas Listan

Questions? Help is just a moment away!

Preguntas? La ayuda es justa un momento lejos!

Call: **Generator Helpline - 1-800-743-4115** M-F 8-5 CT

Llamada: **Generador Helpline - 1-800-743-4115** M-F 8-5 CT



01971
(5250W)

POWERED BY

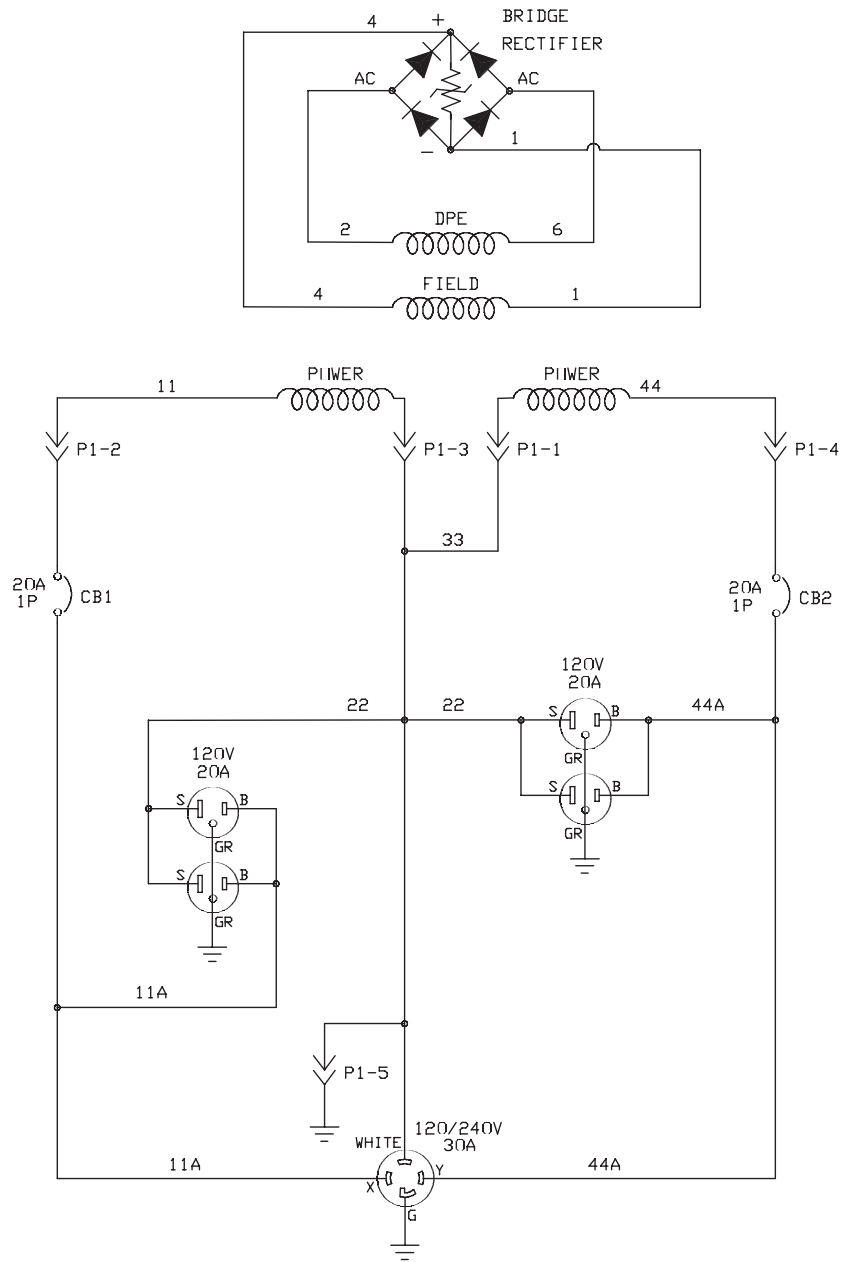


IPL No. 193465GS
Revision 2 (10/07/2003)



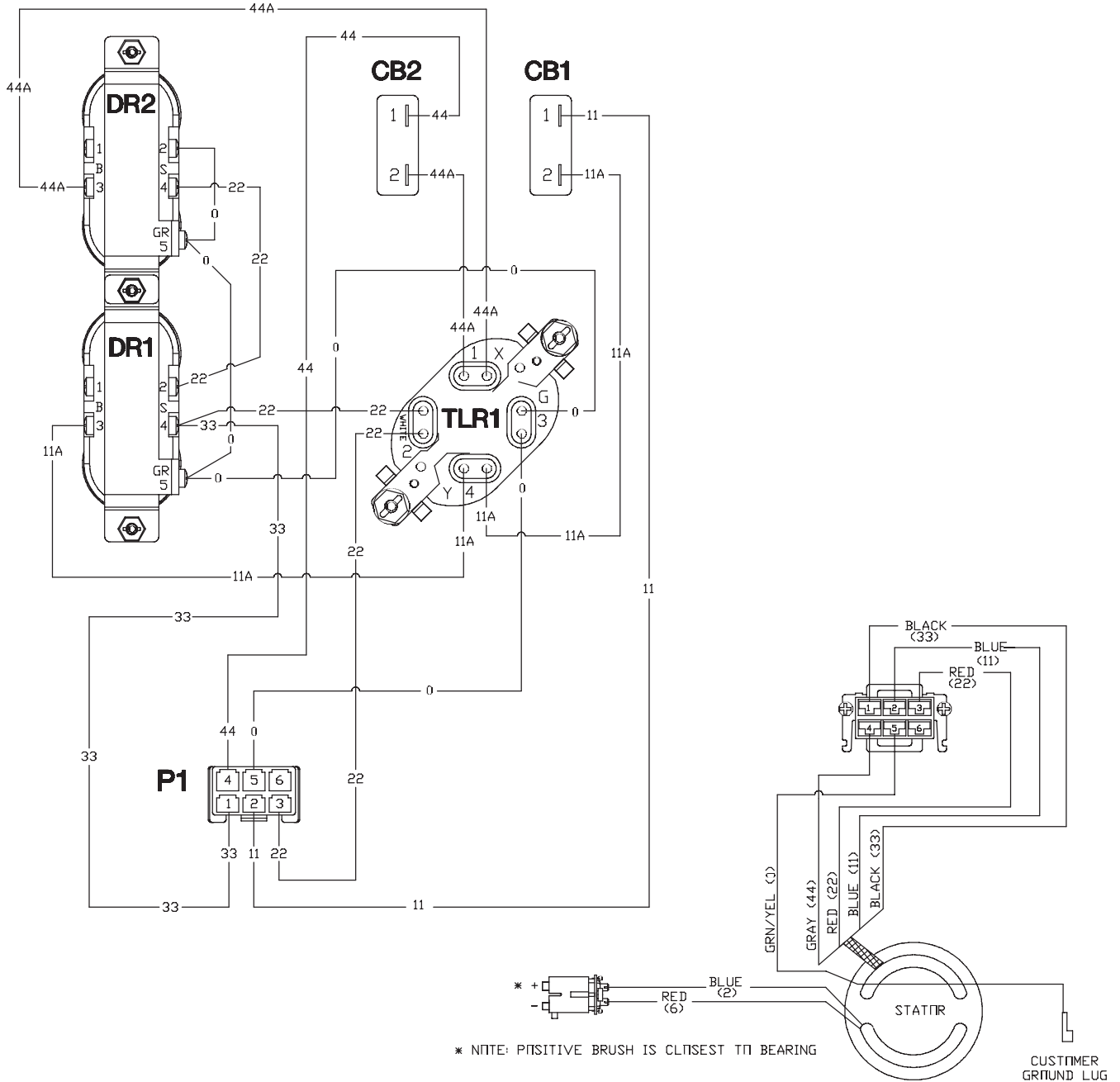
BRIGGS & STRATTON POWER PRODUCTS GROUP, LLC
JEFFERSON, WISCONSIN, U.S.A.

SCHEMATIC

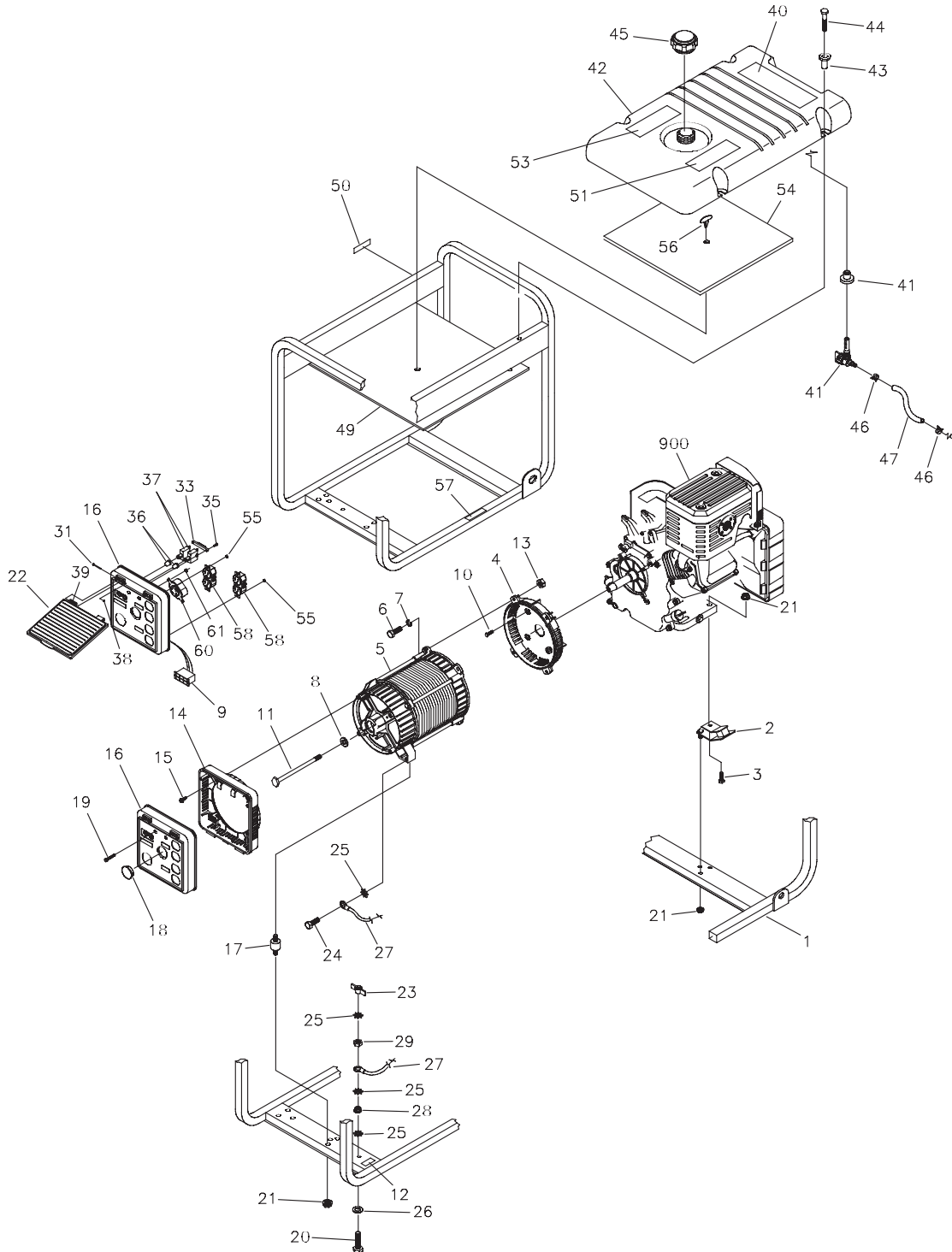


B-BRASS SCREW
 S-SILVER SCREW
 GR-GREEN SCREW

WIRING DIAGRAM



EXPLODED VIEW - MAIN UNIT



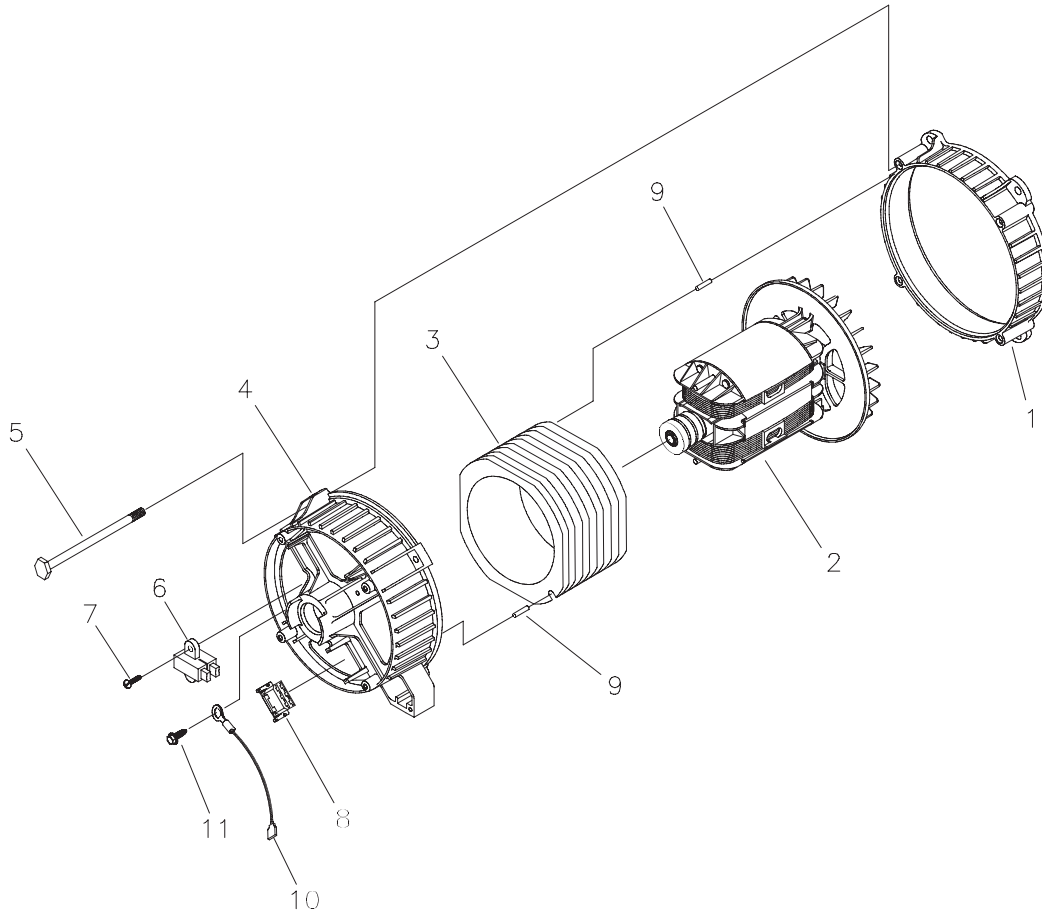
PARTS LIST - MAIN UNIT

| Item | Part # | Description | Item | Part # | Description |
|------|-----------|-------------------------|------|----------|---------------------------|
| 1 | B193458GS | CRADLE | 37 | 75207GS | BREAKER, Circuit, 20A |
| 2 | 70642GS | MOUNT,Vibration | 38 | 189167GS | CLIP, Hinge Pin Retainer |
| 3 | 84346GS | SCREW | 39 | 189182GS | SPRING, Hinge Pin |
| 4 | 190220GS | HOUSING, Engine Adapter | 40 | 189235GS | DECAL, Start Instructions |
| 5 | NSP | ASSY,Alternator | 41 | 192980GS | KIT,Valve, Fuel |
| 6 | 43107GS | SCREW | 42 | 193500GS | ASSY,Tank, Fuel |
| 7 | 22129GS | WASHER, Lock | 43 | 83465GS | GROMMET,Tank |
| 8 | 96796GS | WASHER | 44 | 78831BGS | SCREW |
| 9 | 22695GS | HOUSING, Receptacle | 45 | 90878GS | CAP, Fuel |
| 10 | 190274BGS | SCREW | 46 | 48031CGS | CLAMP, Hose, Band |
| 11 | 47480GS | SCREW | 47 | 30340GS | HOSE, Fuel |
| 12 | B4986GS | DECAL, Ground, Green | 49 | 193452GS | SHIELD, Heat |
| 13 | 45771GS | NUT | 50 | 191435GS | DECAL, Fuel Shut-off |
| 14 | 191427GS | ADAPTER PANEL | 51 | 92982GS | DECAL, Danger |
| 15 | 74908GS | SCREW | 53 | 188333GS | DECAL, Gas Fill |
| 16 | 191332AGS | PANEL, Control | 54 | 92665GS | INSULATION |
| 17 | 85652GS | MOUNT,Vibration | 55 | 189165GS | NUT |
| 18 | 191190GS | CAP | 56 | 85000GS | CLIP, Insulation |
| 19 | 191521GS | SCREW | 57 | 191436GS | DECAL, Hot Muffler |
| 20 | 45757GS | SCREW | 58 | 68759GS | OUTLET, 120V, 20A |
| 21 | 67989GS | NUT | 60 | 43437GS | OUTLET, 120/240V, 30A |
| 22 | 191426GS | COVER, Control Panel | 61 | 189164GS | NUT |
| 23 | 87680GS | NUT,Wing | 900 | NSP | ENGINE |
| 24 | 43146GS | SCREW | | | |
| 25 | 26850GS | WASHER | | | |
| 26 | 22473GS | WASHER | | | |
| 27 | 186790EGS | WIRE, Ground | | | |
| 28 | 77395GS | NUT, Lock | | | |
| 29 | 49813GS | NUT | | | |
| 31 | 189166GS | PIN, Hinge Cover | | | |
| 33 | 93857GS | BAR, Retaining | | | |
| 35 | 84543CGS | SCREW | | | |
| 36 | 84198GS | CAP, Circuit Breaker | | | |

Parts Not Illustrated

| | |
|----------|--------------------|
| 193449GS | MANUAL, Owners |
| MS6669 | MANUAL, Engine |
| BB3061GS | BOTTLE, Oil |
| 188971GS | CORD, Ext. |
| 193552GS | KIT, Decal Service |
| 189208GS | STABILIZER, Fuel |
| 193465GS | MANUAL, IPL |

EXPLODED VIEW AND PARTS LIST - ALTERNATOR



| Item | Part # | Description |
|------|-----------|---------------------------------|
| 1 | 186059GS | ADAPTER, Mounting, Alternator |
| 2 | 193623GS | ROTOR |
| 3 | 191042AGS | STATOR |
| 4 | 186060GS | RBC, with O-Ring (p/n 189197GS) |
| 5 | 86308CGS | SCREW |
| 6 | 91825GS | ASSY, Holder, Rectifier/Brush |
| 7 | 66849GS | SCREW |
| 8 | 22694GS | RECEPTACLE, 6 pin |
| 9 | 81917GS | PIN, Roll |
| 10 | 193428AGS | ASSY, Wire, Ground |
| 11 | 74908GS | SCREW |

NOTES

NOTES

