



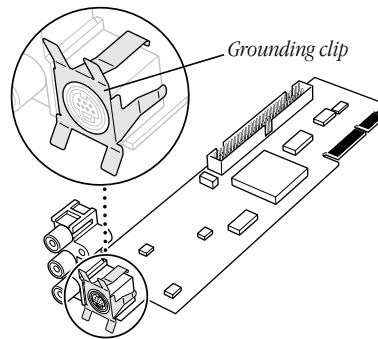
Update to Your Manual

This document contains five sections that update your manual. When you reach the corresponding sections in your manual, return to this update first for information.

The information in this update applies to you whether your manual is the *Apple TV/Video System User's Guide* or the *Apple Video System User's Guide*.

What you should have

In addition to the items shown in your manual in the section "What You Should Have," in Chapter 1, look for the metal grounding clip for the video input card (as shown below).



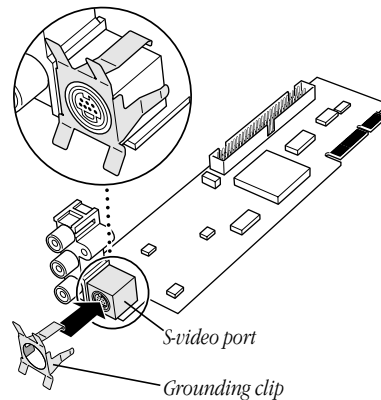
Note: The grounding clip may be attached to the video input card, or it may be a separate piece in your package.

Installing the video input card

Before you install the video input card in your Macintosh computer, make sure that the metal grounding clip is attached to the S-video port on the card. Without the grounding clip, devices attached to the S-video port might not receive sufficient power.

The following instructions apply whether you are installing the card in a compact computer (a computer with a built-in monitor) or in a modular computer (a computer with a separate monitor).

- 1** Follow the instructions in your manual up to and including the step (in the section called “Installing the Video Input Card” in Chapter 1) that tells you to remove the video input card from its static-proof bag. Then return to this update.
- 2** Attach the grounding clip to the S-video port of the video input card, if it isn't attached already.



- 3** Continue the installation process as shown in your manual. Start with the step following the one where you removed the card from the static-proof bag. Make sure the grounding clip stays attached to the video input card when you install it.

Installing the software

When you get to the section “Installing the Software,” in Chapter 1 of your manual, follow these updated instructions to install the Apple Video Player application.

- 1 Start the computer.
- 2 Insert the first disk of the *Video Software Installer* disk set into the floppy disk drive.
- 3 Double-click the disk icon to open it.
- 4 Double-click the Installer icon.



- 5 Click Install.
- 6 Follow the instructions on the screen.

The instructions on the screen tell you when you need to insert other disks.

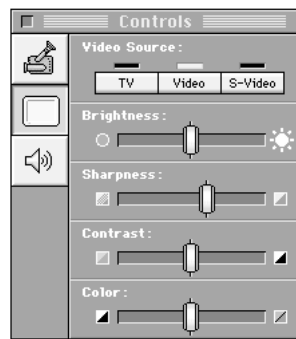
- 7 When the installation is complete, click Restart.

You can now find the Apple Video Player icon in the Apple Video Player folder, in the Apple Extras folder on your hard disk.



Adjusting the picture

The video controls in the Apple Video Player software that comes in your package look a little different from what is shown in the manual. Instead, they look like those shown here:



Although these controls look different from those in your manual, they work just as your manual says: you drag the sliders to adjust the picture to your liking.

Troubleshooting

Your manual contains a chapter called “Troubleshooting” that gives you instructions for what to do if you have problems using the hardware and software in this package.

If you can't find the solution to your problem in the Troubleshooting chapter (or anywhere else in the manual), you may be able to find it here.

You don't hear any sound.

- Adjust the volume slider in the video window, or the volume controls on the front of your computer if you have them.
- Check the sound-related control panel on your computer to see if the volume has been turned off. For instructions on turning the sound back on in the control panel, choose Macintosh Guide from the Guide (📖) menu. (Make sure that you're in the Finder first.) If you don't have Macintosh Guide, see the manuals that came with your computer for information on your computer's sound-related control panel.

The following items apply if you have video equipment (such as a VCR) connected to the video input card:

The image is too white or too dark.

- Adjust the video screen controls. (Choose Show Controls Window from the Windows menu and click the video screen icon.)
- If you have a VCR connected to your video input card, make sure you're not having a problem with the videotape or the VCR itself. (Connect the VCR back to your TV and play the tape to see if the image is still bad.)

- The voltage output of your video equipment may be too high or too low for the video input card. Therefore, your video equipment may be sending video signals that are too strong (causing a white picture) or too weak (causing a very dark picture) for the video input card. Try connecting different video equipment to the card.

You have a dark or “rolling” picture.

- Adjust the video screen controls. (Choose Show Controls Window from the Windows menu and click the video screen icon.)
- If you have a VCR connected to your video input card, make sure you’re not having a problem with the videotape or the VCR itself. (Connect the VCR back to your TV and play the tape to see if the image is still bad.)
- If your VCR is connected to a TV monitor *and* to the video input card, make sure that your cables go in this order: the first cable must go from the Video Out port on the VCR to the video in port on the TV monitor; the second cable must go from the TV monitor video out port (or loop-through video input port, whichever your TV monitor has) to the computer’s video input card. (The connection must *end* at the video input card, not the TV monitor.) Also check that your TV monitor is set to loop-through (also known as “Hi-Z”) input.

The sound is intermittent or clipped.

- Turn down the volume controls on your video equipment. They may be set too high for the video input card.
- The voltage output of your video equipment may be too high for the video input card. Therefore, your video equipment may be sending signals that are too strong for the video input card. Try connecting different video equipment to the card.

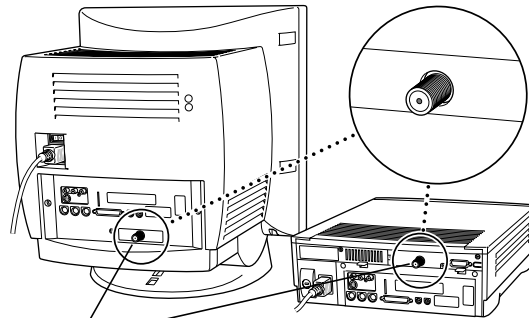
The sound is full of static.

- Be sure your video equipment is securely connected to the appropriate ports on the video input card.
- Adjust the sound controls in the Controls window. (Choose Show Controls Window from the Windows menu and click the sound icon.)
- Turn up the volume controls on your video equipment.

You're playing a videotape with closed captions, but the closed captions do not appear.

- To view a videotape with closed captions, you must connect your VCR to a TV tuner port, not the video input card. If you do not have a TV tuner card in your computer, you can purchase one from an Apple-authorized dealer. Then follow the instructions that come with the TV tuner card to see how to view closed captions on videotape.

If your computer has a built-in monitor, the TV tuner port (if you have one) is as shown in the computer on the left. If your computer has a separate monitor, the TV tuner port is as shown in the computer on the right.



*If this port is present, then a TV tuner card is installed.
(The ports on your computer may look different.)*

© 1996 Apple Computer, Inc. All rights reserved.
Apple, the Apple logo, Apple Video Player, and Macintosh are trademarks of
Apple Computer, Inc., registered in the U.S. and other countries.

030-9106-A