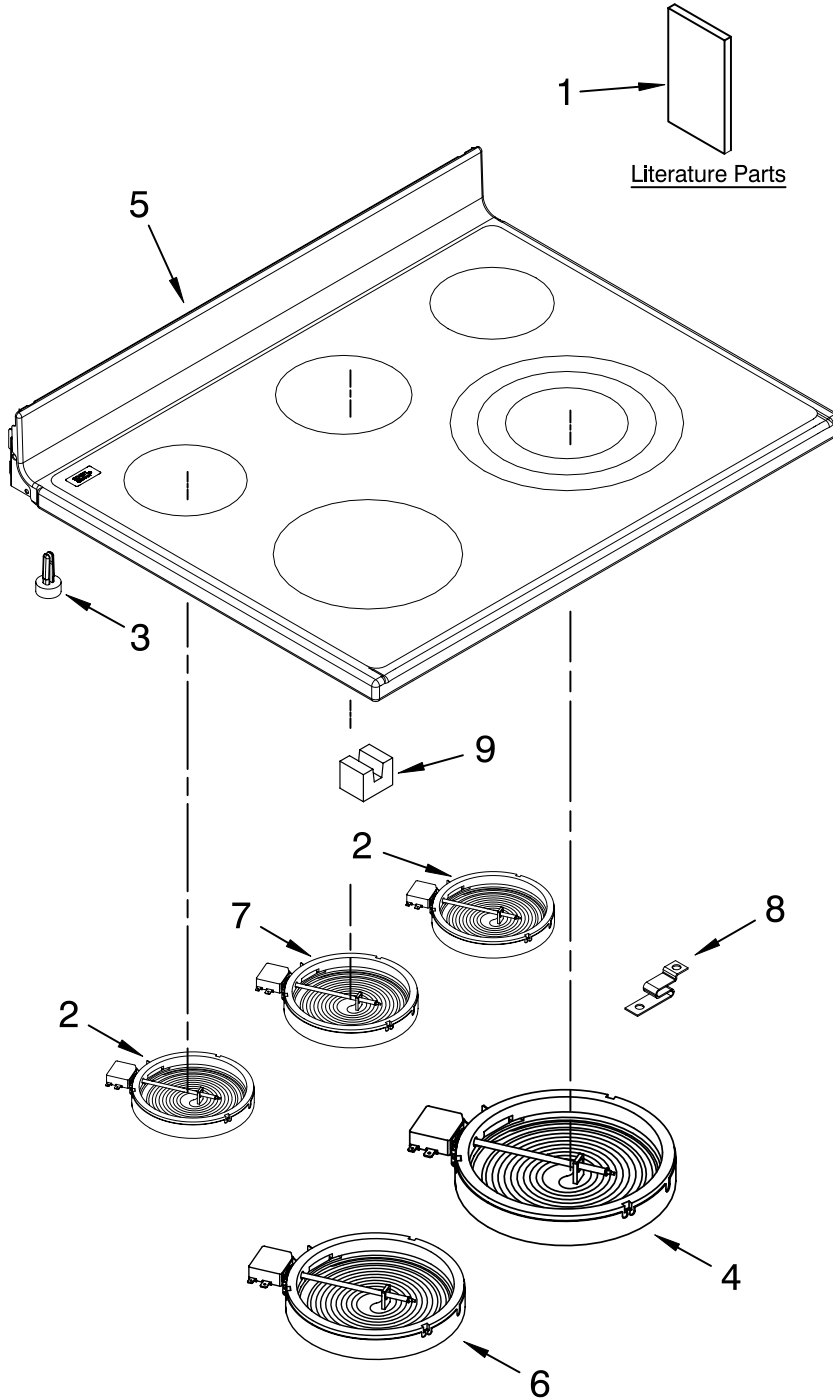


COOKTOP PARTS
 For Models: MER6775BAS18
 (Stainless)

30" ELECTRIC FREESTANDING
 SELF CLEAN RANGE
 CONVECT OVEN

The model(s) number shown may be different than what is printed on the model/serial tag of your product. The number(s) shown combine the model number and the first two digits of the serial number from the product tag.

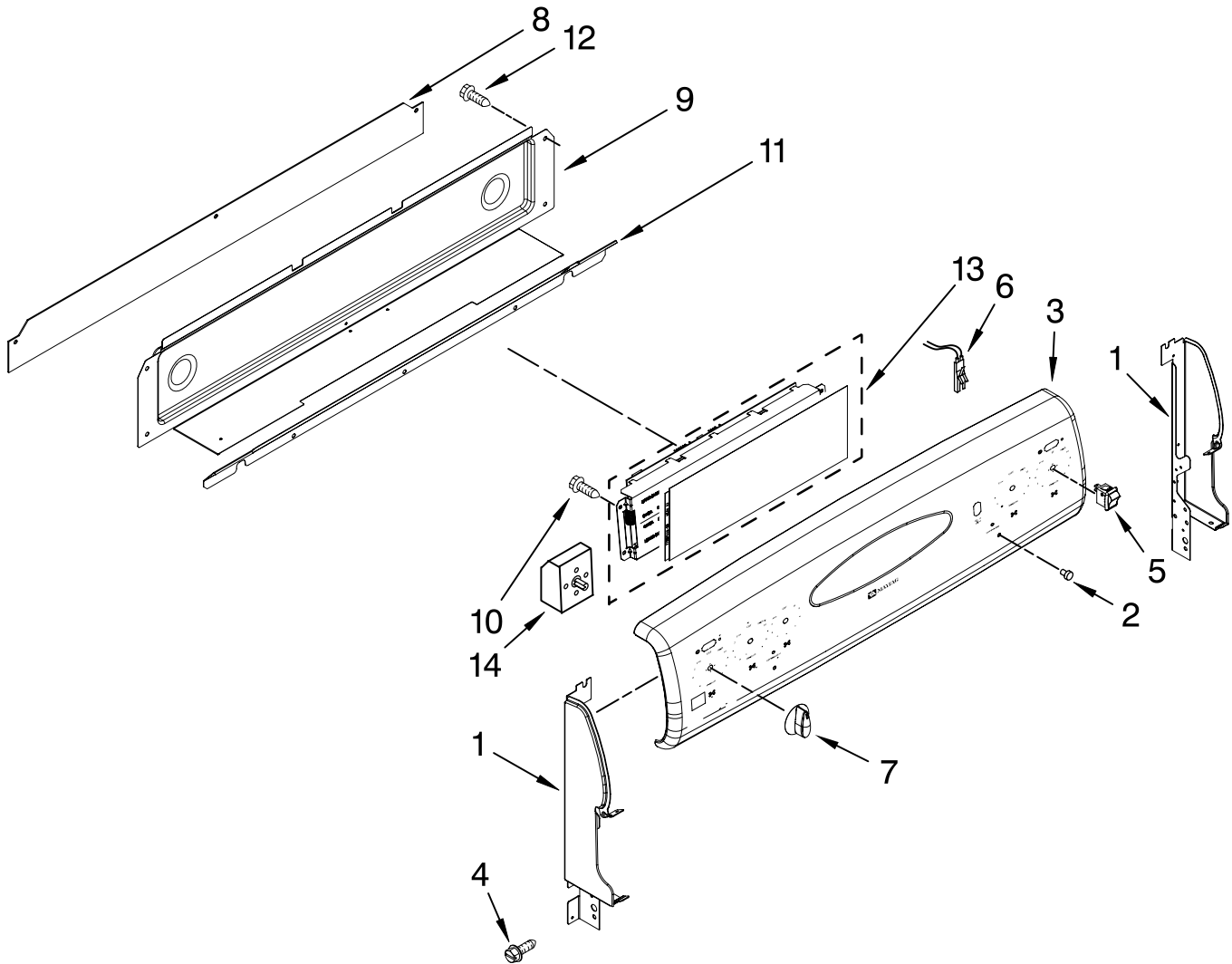


Illus. No.	Part No.	DESCRIPTION
1	8101P630-60	Literature Parts Installation Instructions
	8113P709-60	Owners Manual
	9762761	Tips, Brochure Safe Cooking
2	8273994	Element (RR,LR)
3	8016P022-60	Glide, Main Top
4	W10204682	Element (RF)
5	5706X616-09	Cooktop
6	W10187837	Element (LF)
7	7406P497-60	Element (CTR)
8	8004P093-60	Support, Element
9	8255P412-60	Block, Element Support

CONTROL PANEL PARTS

For Models: MER6775BAS18
(Stainless)

The model(s) number shown may be different than what is printed on the model/serial tag of your product. The number(s) shown combine the model number and the first two digits of the serial number from the product tag.



Illus. No.	Part No.	DESCRIPTION
1	3807F734-70	Support, Backguard Left
	3807F733-70	Right
2	7730P011-60	Lens, Indicator
3	7704P100-60	Panel, Control
4	7101P633-60	Screw
5	7403P985-60	Switch, Rocker
6	7407P136-60	Light, Indicator

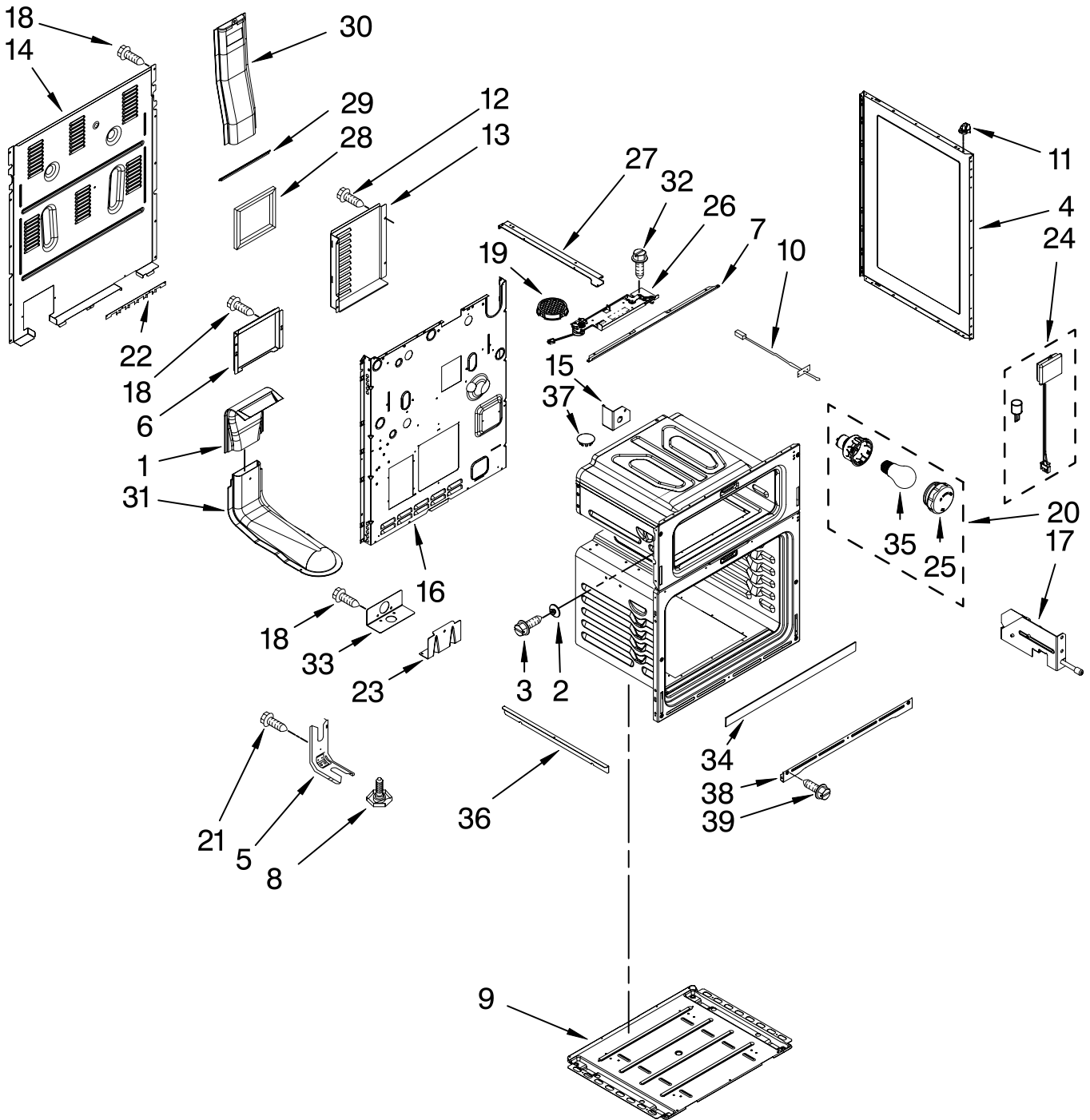
Illus. No.	Part No.	DESCRIPTION
7	7737P232-60	Knobs
8	3604F387-51	Shield, Sight
9	4005F803-51	Cover, Rear Wire
10	7101P500-60	Screw
11	3604F405-51	Shield, Wire
12	7101P434-60	Screw

Illus. No.	Part No.	DESCRIPTION
13		Control Assy (Incl. Membrane)
14		Switch, Infinite
	7450P095-60	LF
	7403P877-60	LR,RR
	7403P011-60	RF

CHASSIS PARTS

For Models: MER6775BAS18
(Stainless)

The model(s) number shown may be different than what is printed on the model/serial tag of your product. The number(s) shown combine the model number and the first two digits of the serial number from the product tag.



CHASSIS PARTS

For Models: MER6775BAS18
(Stainless)

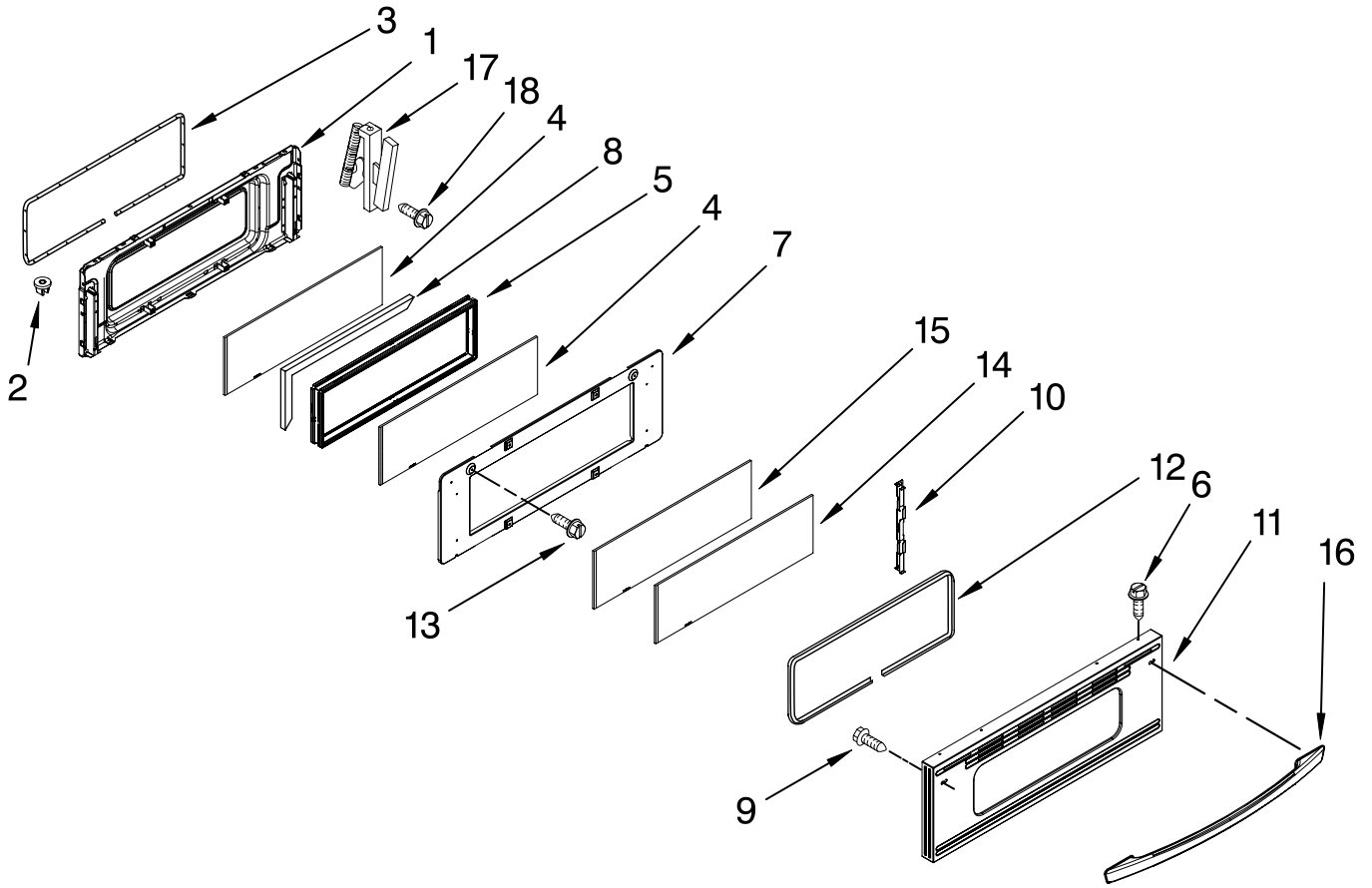
The model(s) number shown may be different than what is printed on the model/serial tag of your product. The number(s) shown combine the model number and the first two digits of the serial number from the product tag.

Illus. No.	Part No.	DESCRIPTION	Illus. No.	Part No.	DESCRIPTION	Illus. No.	Part No.	DESCRIPTION
1	8026P082-60	Extension, Vent	16	4002F332-51	Back, Main	32	7101P375-60	Screw
2	8004P024-60	Spacer, Side Panel	17	7450P108-60	Switch, Assy	33	W10190166	Bracket, Pwr Sply
3	7101P618-60	Screw, Shoulder	18	7101P376-60	Screw	34	7212P066-60	Seal, Frame
4	2618F194-70	Panel, Side (2)	19	8034P008-60	Screen, Smoke	35	7407P114-60	Bulb, Oven
5	3801F656-51	Brack, Anti-Tip	20	7407P168-60	Oven Light Assy	36	3823F015-51	Spacer, Side Panel (Long)
6	4005F747-51	Cover, Access	21	7101P485-60	Screw	37	7718P030-60	Plug, Hole
7	3801F924-80	Bracket, Cooktop	22	8036P012-60	Sheild, Cord	38	3608F091-70	Trim, Kickplate
8	7101P507-60	Foot, Leveler (4)	23	3807F580-51	Support, Lwr Oven	39	7101P633-60	Screw (2)
9	4003F070-51	Base, Gemini	24	7407P179-60	Light Assy. (Upper)	INSULATION		
10		Sensor, Oven	25	209429	Lens, Bulb			Insulation, Wrap
	7430P044-60	Upper Oven	26	8002P077-60	Latch, Door Lock	7002P490-60		Upper Oven
	7430P042-60	Lower Oven	27		Bottom, Burner Box	7002P233-60		Lower Oven
11		Spacer, Top		4011F524-51	Right			Insulation, Back
	8010P088-60	Right		4011F525-51	Left	7002P434-60		Upper Oven
	8010P087-60	Left	28	7201P089-60	Gasket, Vent	7002P233-60		Lower Oven
12	7101P388-60	Screw	29	3604F335-51	Sheild, Door Lock			
13	4005F592-51	Cover, Bottom Wire	30	4022W017-45	Vent, Oven			
14	W10167412	Cover, Upper Wire	31		Vent, Box			
15		Bracket		4006W129-45	Lower			
	3801F705-51	Right		4006W139-45	Upper			
	3801F706-51	Left						

UPPER DOOR PARTS

For Models: MER6775BAS18
(Stainless)

The model(s) number shown may be different than what is printed on the model/serial tag of your product. The number(s) shown combine the model number and the first two digits of the serial number from the product tag.



UPPER DOOR PARTS

For Models: MER6775BAS18
(Stainless)

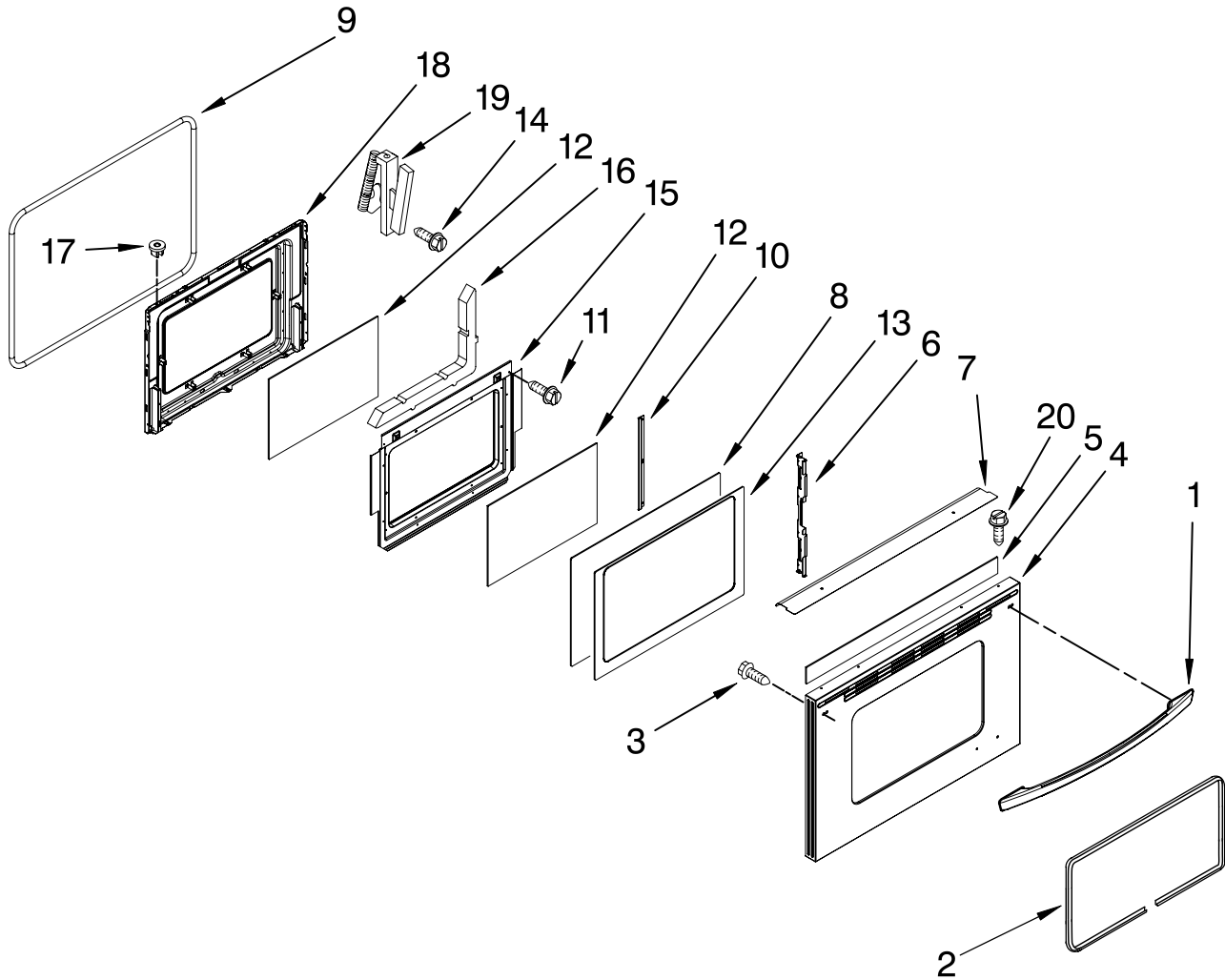
The model(s) number shown may be different than what is printed on the model/serial tag of your product. The number(s) shown combine the model number and the first two digits of the serial number from the product tag.

Illus.	Part	
No.	No.	DESCRIPTION
1	2402W248-19	Lining, Door
2	7103P141-60	Nut, Snap
3	7201P091-60	Gasket, Door
4	7902P521-60	Glass, Inner (2)
5	7907P034-60	Frame, Glass
6	7101P388-60	Screw
7	3601F354-45	Baffle, Door
8	7002P488-60	Insulation, Door
9	7101P633-60	Screw
10	3804F184-45	Retainer, Glass
11	7760P150-60	Panel, Door
12	7201P141-60	Gasket, Window
13	7101P376-60	Screw
14	7902P751-60	Glass, Outer Door
15	7902P542-60	Glass, Inner Door
16	7701P526-60	Handle, Door
17	7106P148-60	Hinge, Door (2)
18	7101P282-60	Screw (4)

LOWER DOOR PARTS

For Models: MER6775BAS18
(Stainless)

The model(s) number shown may be different than what is printed on the model/serial tag of your product. The number(s) shown combine the model number and the first two digits of the serial number from the product tag.



LOWER DOOR PARTS

For Models: MER6775BAS18
(Stainless)

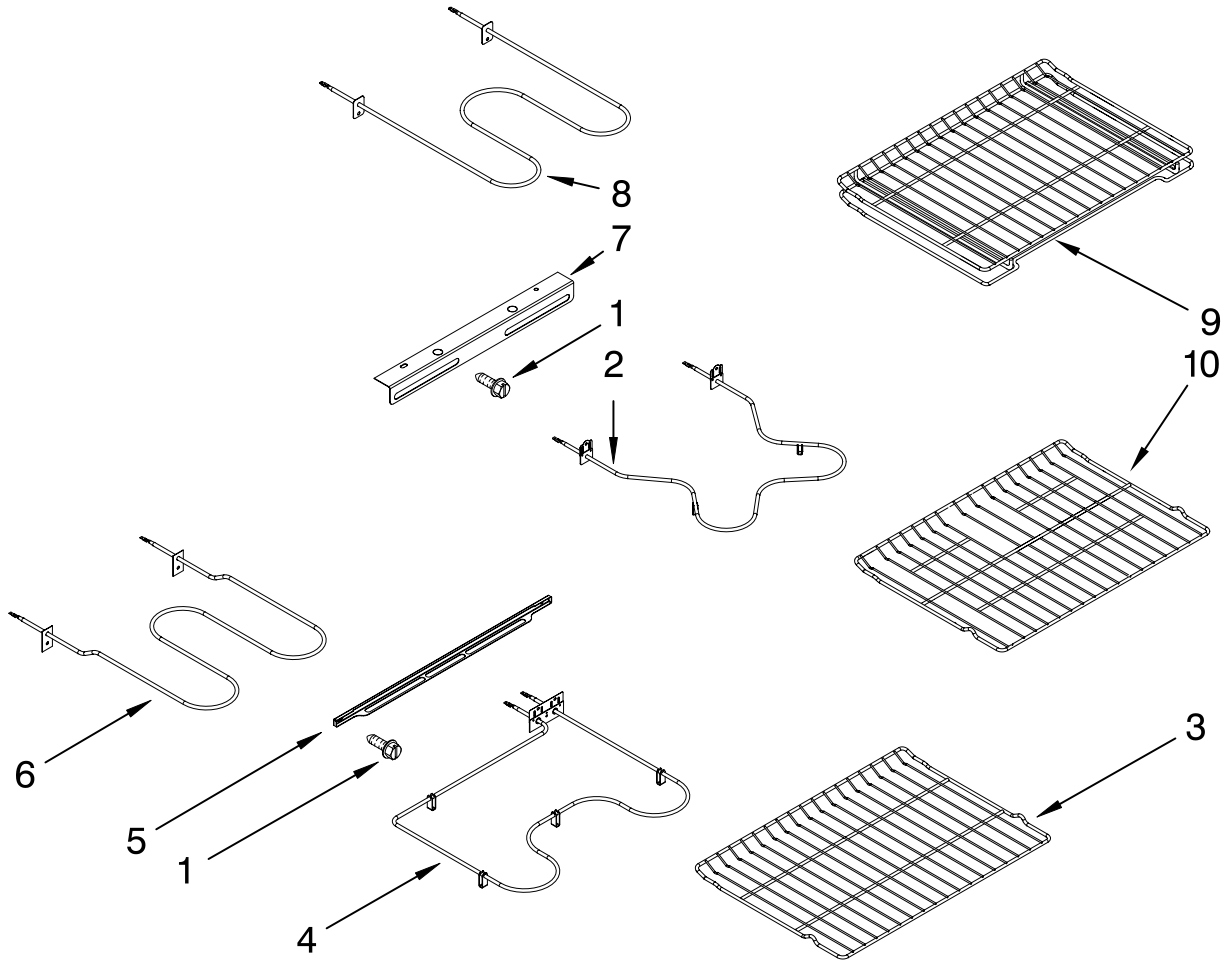
The model(s) number shown may be different than what is printed on the model/serial tag of your product. The number(s) shown combine the model number and the first two digits of the serial number from the product tag.

Illus. No.	Part No.	DESCRIPTION
1	7701P526-60	Handle, Door
2	7201P141-60	Gasket, Window
3	7101P388-60	Screw
4	7760P154-60	Panel, Door
5	7002P427-60	Insulation, Foil
6	3804F265-45	Retainer, Glass Support (2)
7	3604F441-51	Shield, Door
8	7902P468-60	Glass, Door
9	W10162384	Gasket, Door
10	3801F886-51	Bracket, Glass
11	7101P376-60	Screw
12	7902P436-60	Glass, Inner (2)
13	7760P154-60	Glass, Door Outer
14	7101P282-60	Screw
15	3601F373-51	Baffle, Door
16	7002P246-60	Insulation, Door
17	7103P141-60	Nut, Snap
18	2402W312-19	Lining, Door
19	7106P141-60	Hinge, Door (2)
20	7101P633-60	Screw

RACK AND ELEMENT PARTS

For Models: MER6775BAS18
(Stainless)

The model(s) number shown may be different than what is printed on the model/serial tag of your product. The number(s) shown combine the model number and the first two digits of the serial number from the product tag.



Illus. No.	Part No.	DESCRIPTION
1	7101P376-60	Screw
2	7406P427-60	Element, Bake (Upper)
3	7801P173-60	Rack, Oven
4	7406P428-60	Element, Bake Lower
5	3807F494-45	Support, Broil Element
6	7406P205-60	Element, Broil
7	3807F749-45	Support, Broil Element (Upper)
8	7406P474-60	Element, Broil (Upper)
9	W10251904	Rack, Telescoping
10	7908P159-60	Rack, Oven (Upper)

OPTIONAL PARTS (NOT INCLUDED)

For Models: MER6775BAS18
(Stainless)

The model(s) number shown may be different than what is printed on the model/serial tag of your product. The number(s) shown combine the model number and the first two digits of the serial number from the product tag.

Illus. No.	Part No.	DESCRIPTION	Illus. No.	Part No.	DESCRIPTION	Illus. No.	Part No.	DESCRIPTION
<u>Following Parts Not Illustrated</u>			<u>PAINT, TOUCH-UP (1/2oz.)</u>			<u>ACCESSORY PARTS</u>		
<u>REFINISHING MATERIAL</u>			72017 White			241430 Foil, Aluminum		
799832 Kit, Porcelain Repair (White)			72032 Black			Oven (18" x 25')		
242756 Touch-Up Self-Clean(1/2 Pt)			511873 White Porcelain (2 Oz.)			<u>WIRING HARNESS PARTS</u>		
261582 Grease			<u>PAINT, PRESSURIZED SPRAY (12 oz.)</u>			5171P925-60 Harness, Main Harness, Inf.Sw.		
<u>INSULATION</u>			350930 White			5171P920-60 Left		
261514 Insulation, Fiberglass (1-1/2" x 24" x 120")			350939 Black			5171P859-60 Right		
240132 Insulation, Fiberglass (2-1/2" x 22" x 120")			285006 Superior Black			5171P467-60 Harness, Side Mount Lock		
			206922 Primer (White)			5171P462-60 Harness, Sensor		
			<u>PAINT, BULK (1 qt.)</u>			W10196184 Harness, Ceran		
			799344 White (Uncut)			5175P365-60 Harness, Door Position		
			799340 Black (Uncut)			5171P715-60 Harness, Upper Light		
						7101P027-60 Screw, Ground		
						8019P013-60 Clip, Wire		