

KENWOOD

DPX503 DPX303

DUAL DIN SIZED CD RECEIVER

INSTRUCTION MANUAL

RECEPTEUR CD FORMAT DUAL DIN

MODE D'EMPLOI

RECEPTOR DUAL DE CD TAMAÑO DIN

MANUAL DE INSTRUCCIONES

Kenwood Corporation



Take the time to read through this instruction manual.

Familiarity with installation and operation procedures will help you obtain the best performance from your new DUAL DIN SIZED CD RECEIVER.

For your records

Record the serial number, found on the back of the unit, in the spaces designated on the warranty card, and in the space provided below. Refer to the model and serial numbers whenever you call upon your Kenwood dealer for information or service on the product.

Model DPX503/DPX303 Serial number _____

US Residence Only

Register Online

Register your Kenwood product at
www.Kenwoodusa.com

Contents

Before use	3	Audio Adjustments	19
Basic Operation	4	Cabin selection	
General functions		DTA (Digital Time Alignment) setting	
Tuner functions		X'Over setting	
Disc & Audio file play functions		Equalizer Control	
Function Control	6	Preset position selection	
Display Settings	8	Manual position setting	
About Display Type		Audio Preset Memory	
Text Display Selection		Audio Preset Recall	
Illumination Color Selection		Audio Control	
Illumination Color Preset Memory		Audio Setup	
Illumination Color Preset Recall		Speaker Setting	
Auxiliary Input Display Setting		Audio Preset Memory	
Station/Disc Naming (SNPS/DNPS)		Audio Preset Recall	
Opening message edit		Satellite Radio tuner control (Optional)	25
Music disc/Audio file Operation	13	Basic Operation	
Music Select		Category and Channel Search	
Direct Music Search		Direct Access Tuning	
Direct Disc Search		Preset Memory	
Basic Operation of Disc Changer (Optional)		Preset Tuning	
Tuner Operation	15	Basic Operations of remote control	27
Station Preset Memory		Appendix	28
Preset Tuning		Accessories/ Installation Procedure	31
Direct Access Tuning		Connecting Wires to Terminals	32
PTY (Program Type)		Installing the Escutcheon	33
Program Type preset		Installation	34
Registration of a station as a PTY		Troubleshooting Guide	35
Other Functions	17	Specifications	37
Activating Security Code			
Deactivating Security Code			
Manual Clock Adjustment			
Date Adjustment			
Demonstration mode setting			

- iPod is a trademark of Apple, Inc., registered in the U.S. and other countries.
- The "AAC" logo is trademark of Dolby Laboratories.

Before use

▲WARNING

To prevent injury or fire, take the following precautions:

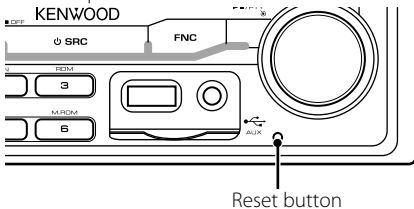
- To prevent a short circuit, never put or leave any metallic objects (such as coins or metal tools) inside the unit.

Before using this unit for the first time

This unit is initially set on the Demonstration mode. When using this unit for the first time, cancel the <Demonstration mode Setting> (page 18).

How to reset your unit

- If this unit or the connected unit (disc auto changer, etc.) fails to operate properly, press the Reset button. The unit returns to factory settings when the Reset button is pressed.



Cleaning the Unit

If the faceplate of this unit is stained, wipe it with a dry soft cloth such as a silicon cloth. If the faceplate is stained badly, wipe the stain off with a cloth moistened with neutral cleaner, then wipe it again with a clean soft dry cloth.



- Applying spray cleaner directly to the unit may affect its mechanical parts. Wiping the faceplate with a hard cloth or using a volatile liquid such as thinner or alcohol may scratch the surface or erase characters.

Lens Fogging

When you turn on the car heater in cold weather, dew or condensation may form on the lens in the CD player of the unit. Called lens fogging, this condensation on the lens may not allow CDs to play. In such a situation, remove the disc and wait for the condensation to evaporate. If the unit still does not operate normally after a while, consult your Kenwood dealer.

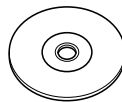
- If you experience problems during installation, consult your Kenwood dealer.
- When you purchase optional accessories, check with your Kenwood dealer to make sure that they work with your model and in your area.
- Characters that conform to ISO 8859-1 can be displayed.
- In this document, the description indicator will light means a status is displayed. Refer to <About Display Type> (page 8) for the details of the status display.
- The illustrations of the display, the function icon and the panel appearing in this manual are examples used to explain more clearly how the controls are used. Therefore, what appears on the display in the illustrations may differ from what appears on the display on the actual equipment, and some of the illustrations on the display may be inapplicable.


Handling CDs

- Do not touch the recording surface of the CD.
- Do not stick tape etc. on the CD, or use a CD with tape stuck on it.
- Do not use disc type accessories.
- Clean from the center of the disc and move outward.
- When removing CDs from this unit, pull them out horizontally.
- If the CD center hole or outside rim has burrs, use the CD only after removing the burrs with a ballpoint pen etc.

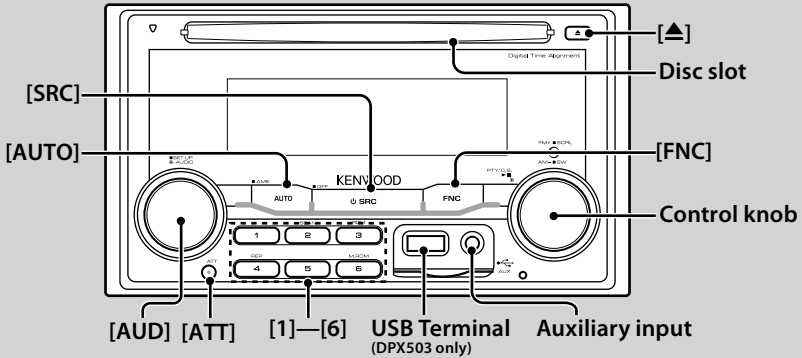
CDs that cannot be used

- CDs that are not round cannot be used.



- CDs with coloring on the recording surface or CDs that are dirty cannot be used.
- This unit can only play the CDs with . This unit may not correctly play discs which do not have the mark.
- You cannot play a CD-R or CD-RW that has not been finalized. (For the finalization process refer to your CD-R/CD-RW writing software, and your CD-R/CD-RW recorder instruction manual.)

Basic Operation



General functions

Power/Source Select button: [SRC]

Turns on the power.

When the power is ON, select a source.

SRC Select mode 1: Press the [SRC] button and then turn the Control knob or push it toward left or right. To determine the selected source, press the Control knob.

SRC Select mode 2: Pressing this button each time switches between sources.

Tuner ("TUNER"), USB or iPod ("USB" or "iPod") (DPX503 only), CD ("Compact Disc"), Auxiliary input ("AUX"), and Standby ("STANDBY")

Press at least 1 second to turn off the power.



- The SRC Select mode can be set in "MENU" > "SRC Select" of <Function Control> (page 6).
- When an optional accessory is connected, the source name for each device appears.
- When connection of the iPod is recognized, the source display changes from "USB" to "iPod". (DPX503 only)

Volume control: [AUD]

Turn the knob to adjust the volume.

Attenuator: [ATT]

Turning the volume down quickly.

When the volume is reduced, the "ATT" indicator flashes.

Muting volume upon reception of phone call

When there is a call, "CALL" is displayed and the audio system is paused.

When the call ends, "CALL" disappears and the audio system comes back on.

The audio system comes back on when [SRC] is pressed during a call.



- To use the TEL Mute feature, you need to hook up the MUTE wire to your telephone using a commercial telephone accessory. Refer to <Connecting Wires to Terminals> (page 32).

Auxiliary input: Auxiliary input

Connect a portable audio device with mini-plug cable (ø3.5 mm).



- Use the mini-plug cable which is stereo type and does not have any resistance.
- The auxiliary input requires the setting made in "MENU" > "Built in AUX" of <Function Control> (page 6).

Subwoofer output: Control knob

Switches between ON ("SUBWOOFER ON") and OFF ("SUBWOOFER OFF") each time pushing toward down for at least 2 seconds.

Function Control: [FNC]

Pressing this button allows you to set various functions using the Control knob. Refer to <Function Control> (page 6).

Category	Function of setup item
MENU	Allows you to set up the environment.
SOUND*	Allows you to set up the sound environment.
DISP	Allows you to set up the display.
COLOR*	Allows you to set up the illumination color.

*Function of DPX503

Text/Title scroll: Control knob

Scrolls the CD and audio file text display when pushing toward up for at least 2 seconds.

Tuner functions

Band select: Control knob

Switches between FM1, FM2, and FM3 each time pushing toward up.

Switches to AM when pushing toward down.

Tuning: Control knob

Changes the frequency when pushing toward left or right.



- During reception of stereo stations the “ST” indicator is ON.

Tuning mode select: [AUTO]

Switches as follows each time this button is pressed.

Tuning mode	Display	Operation
Auto seek	“Auto1”	Automatic search for a station.
Preset station seek	“Auto2”	Search in order of the stations in the Preset memory. (page 5/15)
Manual	“Manual”	Normal manual tuning control.

Auto memory entry: [AUTO]

Memorizes six stations with good reception automatically when pressed for at least 2 seconds.

Preset memory: [1] - [6]

Memorize the station selected when pressing for at least 2 seconds.

Preset tuning: [1] - [6]

Recalls the memorized station.

Disc & Audio file play functions

Disc play: Disc slot

Starts playing when a disc is inserted.

When a CD is inserted, the “IN” indicator is ON.



- 3 inch CD cannot be used. Attempt to insert using an adapter can cause malfunction.

Disc ejection: [▲]



- You can eject the disc for 10 minutes after switching off the engine.

USB device/iPod play (Function of DPX503): USB Terminal

Connecting a USB device starts playback.



- For the playable audio file, media, and devices, refer to <About Audio file> (page 28).

Pause and play: Control knob

Switches between pause and play each time the center is pressed.

USB device removing (DPX503 only): [▲]

Press this button for 2 seconds or longer to select the remove mode, and the remove the USB device.

During the remove mode, the “USB REMOVE” indicator is ON.

Music search: Control knob

Changes the music when pushing toward left or right. Fast reverses or forwards the music while keeping pushing toward left or right. (No sound is output while playing audio file.)

Folder search: Control knob

Changes the folder containing the audio file when pushing toward up or down.

Track/ File/ Folder repeat play: [4]

Switches between Track Repeat (“Repeat ON”) and OFF when pressed while playing a CD.

Switches between File Repeat (“File Repeat ON”), Folder Repeat (“Folder Repeat ON”), and OFF when pressed while playing an audio file.



- The folder repeat operation cannot be performed while iPod is playing.

Scan play: [2]

Successively plays the intro of the music in the disc or folder.

Switches between ON (“Scan ON”/ “File Scan ON”) and OFF each time this button is pressed.



- The Scan play operation cannot be performed while iPod/ “Media Editor” media is playing.

Random play: [3]

Randomly plays the music in the disc or folder.

Switches between ON (“Disc Random ON”/ “Folder RDM ON”) and OFF each time this button is pressed.

Function Control

Functions in the table below can be set up by using Function Control.

Category	Item	Setting	Entry	Setting overview	Condition	Page
MENU	"Security Set"/ "Security Clear"		1 sec.	Sets/Resets security code	SB	17
	"SRC Select"	"1"/"2"		Sets the source selection method.	SB	29
	"iPod Mode"*1	"OFF"/"ON"*		When set to "ON", allows you to select music in the manner similar to that of the iPod.	iPod	13
	"AT COL CHG"*1	"OFF"/"iPod"*		When the iPod source is used, sets whether the illumination color is changed by the iPod.	iPod	29
	"Beep"	"OFF"/"ON"*		Setting the operation check sound (beep sound) ON/OFF.	SB	
	"Clock Adjust"		1 sec.	Sets the clock.	—	18
	"Date Adjust"		1 sec.	Sets the date.	SB	18
	"Date Mode"	7 types	1 sec.	Sets the date display mode.	SB	
	"SYNC"*1	"OFF"/"ON"*		Synchronizing the RDS station time data and this unit's clock.	SB	
	"DSI"	"OFF"/"ON"*		A red indicator will blink on the unit after the ACC is set to OFF, warning potential thieves.	SB	
	"Display"	"OFF"/"ON"*		Turns off the display when no operation is performed.	—	29
	"Dimmer"	"OFF"/"ON"*		Dims the display part in conjunction with the light switch of the vehicle.	SB	
	"ILM Dimmer"	"AUTO"/"MNAL"/ "OFF"		Sets whether the illumination is dimmed in conjunction with the light switch of the vehicle or it is dimmed constantly.	SB	29
	"ILM Effect"	"OFF"/"ON"*		Sets whether the illumination color is changed in conjunction with the key operation.	SB	
	"ILM MSC SYNC"	"OFF"/"ON"		Sets whether the key illumination color is changed in conjunction with the sound volume.	—	
	"ILM Color"*2	"Blue"/"Red"/ "Green"		Sets the button illumination color.	SB	
	"SWPRE"	"Rear"/"Sub-W"		Sets the preout output.	SB	29
	"AMP"	"OFF"/"ON"*		Turns on/off the built-in amplifier.	SB	29
	"Zone2"	"Rear"/"Front"		Specifies the destination of AUX input sound when the Dual Zone function is turned on.	EZONE	29
	"Supreme"	"OFF"/"ON"*		Turns ON/OFF the Supreme function.	AF-2	29
	"TI"*1	"OFF"/"ON"		Switches to the traffic information automatically when the traffic bulletin starts.	SB	
	"CRSC"	"OFF"/"ON"*		Switches to Monaural to decrease noise when reception is poor.	FM	
	"Receive Mode"	"Auto"/"Digital"/ "Analog"	1 sec.	Sets the receive mode of HD Radio.	HDR	29
	"ESN="			Displays the Electronic Serial Number of satellite radio.	SAT	
	"Name Set"		1 sec.	Sets the station name (SNPS)/ disc name (DNPS)/ AUX name.		11
	"Scroll"	"Auto"/"Manual"		Specifies whether the text is scrolled automatically.	—	
	"Built in AUX"	"OFF"/"ON"*		Sets whether to display AUX during source selection.	SB	
	"CD Read"	"1"/"2"		Sets the CD read mode.	SB	29
	"Audio Preset"*2		1 sec.	Presets the setting value of the audio control. The preset value is retained after resetting.	SB	24
	"DISP REVERSE"	"POS1"/"POS2"/ "NEGA 1"/"NEGA 2"		Switches the panel display between positive or negative.	—	30
	"CONTRAST"	"1"—"10"		Adjusting the display contrast.	—	

Category	Item	Setting	Entry	Setting overview	Condition	Page
	"OPENING MSGE Edit"		1 sec.	Sets the opening message displayed when the power is turned on.	SB	12
	"DEMO Mode"	"OFF"/"ON"*	2 sec.	Specifies whether to enable demonstration.	—	18
SOUND*1	"S-SET" "CABIN"	"Compact1" etc.		Selects the car type to compensate the distance difference between each speaker.	SB	19 /30
	"DTA"			Makes fine adjustment of the compensation value specified at Cabin.	SB	19/30
	"XOVER"			Makes fine adjustment of the X'Over value specified at Speaker.	SB	20
	"S-CTRL" "EQ"			Sets the sound quality.	SB	20
	"POSIT"			Compensates the sound environment in accordance with the listening position.	SB	20 /21
	"LOUD"	"OFF**"/"ON"		Compensates high and low pitch sound at lower volume.	SB	
	"PRESET"			Presets the setting value of the audio control. The preset value is retained after resetting.	SB	21
DISP	"TYPE"	A/B/C/D		Sets the display pattern.	—	8
	"GRAPH"	Spectrum Analyzer 1-2		Sets the Type D spectrum analyzer display.	D	
	"SIDE"	Text icon/ Source icon/ OFF		Sets the Type A/B side icon display.	A B	
	"TEXT"			Sets the text display.	A B C	9
Color*1			Sets the Panel illumination color.	Illumi	10	
P.MEM			Presets a station.	→	15	
SCAN*3		"ON"/ —		When set to "ON", plays the intro of the music in the folder successively.	AF-2	
RDM		"ON"/ —		When set to "ON", plays the music in the folder randomly.	AF-1	
FIREP		"ON"/ —		When set to "ON", plays the music repeatedly.	AF-1	
FoREP		"ON"/ —		When set to "ON", plays the music in the folder repeatedly.	AF-2	
SCAN		"ON"/ —		When set to "ON", plays the intro of the music on the disc successively.	DISC	
RDM		"ON"/ —		When set to "ON", plays the music on the disc randomly.	DISC	
M.RDM		"ON"/ —		When set to "ON", plays the music in the disc changer randomly.	CH	
T.REP		"ON"/ —		When set to "ON", plays the music repeatedly.	DISC	
D.REP		"ON"/ —		When set to "ON", plays the music on the disc repeatedly.	CH	

*Factory setting

*1 Function of DPX503.

*2 Function of DPX303.

Displayed item is depending on currently selected source or mode. The mark in Condition column shows the condition to which the item is displayed.

SB : Can be set in other than standby state.

SB : Can be set in standby state.

AF-1 : Can be set while Audio file source of CD/USB/iPod.

AF-2 : Can be set while Audio file source of CD/USB (excluding iPod).

DISC : Can be set while CD/ Disc changer source.

CH : Can be set while Disc changer source.

FM : Can be set during FM reception.

HDR : Can be set while HD Radio source.

SAT : Can be set during Satellite radio source.

iPod : Can be set only during playback of the iPod source. (USB source used when the iPod is connected)

2ZONE : Can be set for sources other than the standby source

by setting "2 ZONE" of <Audio Setup> (page 23) to "ON".

Illumi : Sets "ILM MSC SYNC" and "AT COL CHG" in the menu to "OFF".

→ : Refer to the reference page.

A-D : Can be set when the specified type is selected for Display Type.

— : Can be set during all sources.



• Refer to the respective page for information on how to set the items with reference page number.

• Only the items available to the current source are displayed.

• Strong electrical fields (such as from power lines) may cause unstable sound quality when CRSC is turned ON. In such a situation, turn it OFF.

Next page ▶

English | 7

Function Control

1 Enter Function Control mode

Press the [FNC] button.

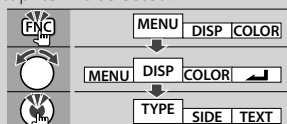
Function icon is displayed.

2 Select your desired setup item

Operation type	Operation
Movement between items	Turn the Control knob.
Selection of item	Press the Control knob.
Return to previous item	Press the [FNC] button or "↶" icon.

Repeat selection and determination until your desired setup item is selected.

Example:



In this manual, the above selection is indicated as

Select "DISP" ➤ "TYPE".

3 Make a setting

Turn the Control knob to select a setting value, and then press the Control knob.

- The value of items with ◀(○)▶ mark can be set by pushing the Control knob towards right or left.
- Some items require you to keep pressing the Control knob for 1 or 2 seconds so that you can make a setting. For these items, the time during which you need to keep pressing the Control knob is displayed in the Entry column in seconds.
- For the functions accompanied by the description of the setting procedure and so forth, the reference page numbers are displayed.

4 Exit Function Control mode

Press the [FNC] button for at least 1 second.



- *3 Location played with "File Scan"
 - Audio file: First 10 seconds
 - Music Editor media: First 10 seconds or the part picked by Intro Skip.
 During Intro Skip, turn the control knob left or right to change the song.
 The scan method depends on the Music Editor setting. See the Music Editor help for details.

Display Settings

About Display Type

Shown below are examples of display types.

Display	Display Type
"TYPE [A]"	
"TYPE [B]"	
"TYPE [C]"	
"TYPE [D]"	

- ① Text display part
- ② Status display
- ③ Icon display part
- ④ Display (varied depending on the source)
- ⑤ Clock display
- ⑥ Spectrum Analyzer display

Text Display Selection

Changing the text display.

In Tuner source

Information	Display
SNPS	"SNPS"
Title & Artist name* (FM)	"Title/Artist"/"TITLE/ART"
Station name* (FM)	"Station Name"/"ST NAME"
Radio text plus* (FM)	"Radio Text Plus"/"R-TEXT+"
Radio text (FM)*	"Radio Text"/"R-TEXT"
Frequency	"Frequency"/"FREQ"
Spectrum Analyzer & Clock	"Speana/Clock"/"SPEANA"
Date	"Date"/"DATE"
Blank	"Blank"/"BLANK"

* Information of Radio text plus is displayed. (DPX503 only)

In CD & External disc source

Information	Display
Disc title	"Disc Title"/"D-TITLE"
Track title	"Track Title"/"T-TITLE"
Play time & Track number	"P-Time"/"P-TIME"
Disc name	"DNPS"
Spectrum Analyzer & Clock	"Speana/Clock"/"SPEANA"
Date	"Date"/"DATE"
Blank	"Blank"/"BLANK"

In Audio file source

Information	Display
Music title & Artist name	"Title/Artist"/"TITLE"
Album name & Artist name	"Album/Artist"/"ALBUM"
Folder name	"Folder Name"/"FOLDER"
File name	"File Name"/"FILE"
Play time & Music number	"P-Time"/"P-TIME"
Spectrum Analyzer & Clock	"Speana/Clock"/"SPEANA"
Date	"Date"/"DATE"
Blank	"Blank"/"BLANK"

In Standby

Information	Display
Standby	"Source Name"/"SRC NAME"
Clock	"Clock"/"CLOCK"
Date	"Date"/"DATE"
Blank	"Blank"/"BLANK"

In Auxiliary input source

Information	Display
Auxiliary input name	"Source Name"/"SRC NAME"
Spectrum Analyzer & Clock	"Speana/Clock"/"SPEANA"
Date	"Date"/"DATE"
Blank	"Blank"/"BLANK"

In HD Radio source (Optional)

Information	Display
Station name	"Station Name"/"ST NAME"
Title	"Title"/"TITLE"
Frequency	"Frequency"/"FREQ"
Spectrum Analyzer & Clock	"Speana/Clock"/"SPEANA"
Date	"Date"/"DATE"
Blank	"Blank"/"BLANK"

In SIRIUS/ SAT source (Optional)

Information	Display
Channel Name	"Channel Name"/"CH NAME"
Music Title	"Song Title"/"SONG"
Artist Name	"Artist Name"/"ARTIST"
Composer name	"Composer Name"/"COMPOSER"
Category Name	"Category Name"/"CATEGORY"
Label Name	"Label Name"/"LABEL"
Comment	"Comment"/"COMMENT"
Band & Channel Number	"Channel Number"/"CH NUM"
Spectrum Analyzer & Clock	"Speana/Clock"/"SPEANA"
Date	"Date"/"DATE"
Blank	"Blank"/"BLANK"

In XM source (Optional)

Information	Display
Channel Name	"CHANNEL NAME"/"CH NAME"
Title	"TITLE"
Name	"NAME"
Category Name	"CATEGORY"
Band & Channel Number	"CHANNEL NUMBER"/"CH NUM"
Spectrum Analyzer & Clock	"Speana/Clock"/"SPEANA"
Date	"Date"/"DATE"
Blank	"Blank"/"BLANK"

Next page ►

Display Settings

1 Enter Text Display Selection mode (In Display Type A/ B/ C)

Select "DISP" > "TEXT".

For how to select Function Control item, refer to <Function Control> (page 6).

2 Select the text display part

Push the Control knob towards up or down.

The selected text display part blinks.

3 Select the text

Turn the Control knob or push it towards left or right.

4 Exit Text Display Selection mode

Press the [FNC] button.



- If the selected display item does not have any information, alternative information is displayed.
- Some items cannot be selected depending on the display type and row.
- When selecting "Folder Name" while playing with iPod, names will be displayed depending on currently selected browsing items.
- When Display Type C is selected, "Speana" is displayed instead of "Speana/Clock."
- "Frequency" can be selected only on the first line while setting the text.

Function of DPX503

illumination Color Selection

Selecting the Illumination Color of the panel.

1 Enter Illumination Color Selection mode

Select "Color".

For how to select Function Control item, refer to <Function Control> (page 6).

2 Select the place where you want to set the Illumination Color

Place	Display
All	"All Color"
Display	"Display Color"
Button	"Key Color"
Volume knob	"Left Knob Color"
Control knob	"Right Knob Color"
Save and recall the Illumination Colors you selected for each place	
"Color Preset"	

Turn the Control knob and push the center when the desired item is displayed.

3 Select the Illumination Color

Turn the Control knob and push the center when the desired item is displayed.

Select the color from "Variable Scan"/ "Color1" — "Color 10"/ "User".

Creating "User" color

You can create your original color during the selection from "Color1" — "Color10."

The color you created can be called when you select "User".

1. Press the Control knob for at least 1 second.

Enter the detail color adjustment mode.

2. Set the color.

Operation type	Operation
To select the color to adjust. (red, green, or blue)	Push the Control knob towards right or left.
To adjust color. (Range: 0 – 9)	Turn the Control knob or push it towards up or down.

3. Press the Control knob.

Exit the detail color adjustment mode.

4 Exit Key Color Selection mode

Press the [FNC] button.



- When you select "PRESET", you can save the combination of the Illumination Colors selected for each place. For how to save Illumination Colors, refer to <Illumination Color Preset Memory> (page 11).

Function of DPX503

Illumination Color Preset Memory

Saving the combination of the Illumination Colors selected for each place. The memory cannot be erased by the Reset button.

1 Set the Illumination Color for each place

Refer to <Illumination Color Selection> (page 10).

2 Enter Illumination Color Preset Memory mode Select "COLOR" > "PRESET" > "MEMO".

For how to select Function Control item, refer to <Function Control> (page 6).

3 Put the Illumination Color Preset in the memory

Press the Control knob.

"Memory?" is displayed.

4 Turn the Control knob to select "YES", and then press the Control knob.

"Memory Completed" is displayed.

5 Exit Illumination Color Preset mode

Press the [FNC] button.



- Register 1 pair of Illumination Color Preset Memory.
- If you press the Reset button, the value in the memory will be default setting value of "Illumination Color Selection."

Function of DPX503

Illumination Color Preset Recall

Recalling the selection you saved in Illumination Color Preset mode.

1 Enter Audio Preset Recall mode

Select "COLOR" > "PRESET" > "RECALL".

For how to select Function Control item, refer to <Function Control> (page 6).

2 Recall the Illumination Color Preset

Press the Control knob.

"Recall?" is displayed.

3 Turn the Control knob to select "YES", and then press the Control knob.

"Recall Completed" is displayed.

4 Exit Illumination Color Preset Recall mode

Press the [FNC] button.



- When you recall Illumination Color Preset, the current Illumination Color settings will be replaced with the preset selection.

Auxiliary Input Display Setting

Selects the display below when changing to Auxiliary input source.

1 Select Auxiliary input display setting item during Menu mode (In AUX mode)

Select the "Name Set" display.

For how to select Function Control items, refer to <Function Control> (page 6).

2 Enter Auxiliary input display setting mode Press the Control knob for at least 1 second.

The presently selected Auxiliary input display is displayed.

3 Select the Auxiliary input display

Turn the Control knob or push it towards up or down.

"AUX"/"DVD"/"PORTABLE"/"GAME"/"VIDEO"/"TV"

4 Exit Auxiliary input display setting mode Press the [FNC] button.



- When operation stops for 10 seconds, the name at that time is registered, and the Auxiliary input display setting mode closes.
- The Auxiliary input display can be set only when the built-in auxiliary input or the auxiliary input of optional KCA-S220A is used. On the KCA-S220A, "AUX EXT" is displayed by default.

Display Settings

Station/Disc Naming (SNPS/DNPS)

Attaching a title to a Station or CD.

1 Receive/play the station/disc you want to attach a title to

2 Select Name set mode item during Menu mode

Select the "Name Set" display.

For how to select Function Control items, refer to <Function Control> (page 6).

3 Enter Name set mode

Press the Control knob for at least 1 second.

4 Enter the name

Operation type	Operation
Move the cursor to the enter character position	Push the Control knob towards right or left.
Select the character type*	Press the Control knob.
Select the characters	Turn the Control knob or push it towards up or down.

* Each time you press the knob, the character type alternates between the types shown in the table below.

Character type	Operation
Alphabet upper case	
Alphabet lower case	
Numbers and symbols	
Special characters (Accent characters)	



- Enter characters by using a remote control with numbers buttons.

Example: If you are entering "DANCE".

Character	"D"	"A"	"N"	"C"	"E"
Button	[3] [▶▶]	[2] [▶▶]	[6] [▶▶]	[2] [▶▶]	[3]
Times pressed	1	1	2	3	2

5 Exit Menu mode

Press the [FNC] button.



- A title cannot be attached to Audio file media.
- When operation stops for 10 seconds the name at that time is registered, and Name Set mode closes.
- Memory numbers
 - FM/AM: 30 stations
 - Internal CD player: 10 discs
 - External CD changer/ player: Varies according to the CD changer/ player. Refer to the CD changer/ player manual.
- Change the title of station/CD by the same operation used to name it.

Opening message edit

Setting the opening message to be displayed when the power is turned on.

1 Select Opening message edit item during Menu mode

Select "OPENING MSGE Edit".

For how to select Function Control items, refer to <Function Control> (page 6).

2 Enter Opening message edit mode

Press the Control knob for at least 1 second.

3 Enter the character

Operation type	Operation
Move the cursor to the enter character position	Push the Control knob towards right or left.
Select the character type*	Press the Control knob.
Select the characters	Turn the Control knob or push it towards up or down.

* Each time you press the knob, the character type alternates between the types shown in the table below.

Character type	Operation
Alphabet upper case	
Alphabet lower case	
Numbers and symbols	

4 Press the Control knob for at least 2 seconds.

"Completed" is displayed.

5 Exit Menu mode

Press the [FNC] button.



- The Opening message can be displayed up to 8 characters.

Music disc/Audio file Operation

Function of Audio file/ Internal CD source

Music Select

Selecting the music you want to listen to from the device or media being played now.

1 Enter Music Select mode Turn the Control knob.

The music list is displayed.

2 Search for music Select the category item using the Control knob.

iPod source (when "iPod Mode" is "ON") (Function of DPX503)

Operation type	Operation
Movement between items	Turn the Control knob.
Selection of item	Press the Control knob.
Return to previous item	Push the Control knob towards up.
Return to first item	Push the Control knob towards up for at least 1 second.

Other source

Audio file (including iPod source while "iPod Mode" is "OFF")

Operation type	Operation
Movement between items	Turn the Control knob or push it towards up or down.
Selection of item	Push the Control knob towards right.
Return to previous item	Push the Control knob towards left.
Return to first item	Push the Control knob towards left for at least 1 second.

Internal CD source

Operation type	Operation
Movement between track	Turn the Control knob or push it towards up or down.
Selection of track	Press the Control knob.
Return to first track	Push the Control knob towards left for at least 1 second.

The "◀" or "▶" symbol shown beside the displayed item indicates that the item is preceded or followed by another item.

Selecting a music will play it from the beginning.

Cancelling Music Select Press the [FNC] button.



- Music Select cannot be performed during Random play.
- Set the iPod mode in "MENU" > "iPod Mode" of <Function Control> (page 6).

Function of remote control

Direct Music Search

Searchs the music by entering the track number.

1 Enter the music number Press the number buttons on the remote control.

2 Search the music Press the [◀◀] or [▶▶] button.

Cancelling Direct Music Search

Press the [▶II] button.



- Direct Music Search cannot be performed during playing of iPod, "Music Editor" media, Random play, or scan play.

Function of disc changers with remote control

Direct Disc Search

Searchs the disc by entering the disc number.

1 Enter the disc number Press the number buttons on the remote control.

2 Search the disc Press the [FM] or [AM] button.

Cancelling Direct Disc Search

Press the [▶II] button.



- Direct Disc Search cannot be performed during playing of Random play or scan play.

Music disc/Audio file Operation

Basic Operation of Disc Changer (Optional)

Selecting CD changer source

Press the [SRC] button.

Select the "CD Changer" display.

For how to select source item, refer to <Power/Source Select button> of <Basic Operation> (page 4).

Music search

Push the Control knob towards right or left.

Disc Search

Push the Control knob towards up or down.

Playing the Current Song or Disc Repeatedly. (Repeat play)

Press the [4] button.

Pressing the button repeatedly selects Track Repeat play on ("Track Repeat ON"), Disc Repeat play on ("Disc Repeat ON"), and Repeat play off ("Repeat OFF") sequentially.

Randomly plays the music in the disc changer. (Magazine random play)

Press the [6] button.

Pressing the button toggles the setting between Magazine random play on ("Magazine RDM ON") and off ("Magazine RDM OFF").

Tuner Operation

Station Preset Memory

Putting a station in the memory.

- 1 Select the frequency to put in the memory**
Push the Control knob towards right or left.
- 2 Enter Preset Memory mode**
Select "P.MEM"
For how to select Function Control item, refer to <Function Control> (page 6).
- 3 Select the number to put in the memory**
Turn the Control knob.
- 4 Determine the number to put in the memory**
Press the Control knob.
- 5 Allow the determined number to take effect**
Press the Control knob.

Canceling the Preset Memory mode

Press the [FNC] button.



- This function can be operated with [1] — [6] button.
Refer to <Basic Operation> (page 4).

Preset Tuning

Recalling the stations in the memory.

- 1 Enter Preset Tuning Select mode**
Turn the Control knob.
A station list is displayed.
- 2 Select a desired station in the memory**
Turn the Control knob.
- 3 Recall the station**
Press the Control knob.

Canceling Preset Tuning

Press the [FNC] button.



- This function can be operated with [1] — [6] button.
Refer to <Basic Operation> (page 4).

Function of remote control

Direct Access Tuning

Entering the frequency and tuning.

- 1 Enter Direct Access Tuning mode**
Press the [DIRECT] button on the remote control.
"---" is displayed.

- 2 Enter the frequency**

Press the number buttons on the remote control.

Example:

Desired frequency	Press button
92.1 MHz (FM)	[0], [9], [2], [1]
810 kHz (AM)	[0], [8], [1], [0]

Canceling Direct Access Tuning

Press the [DIRECT] button on the remote control.



- You can enter the FM band frequency in steps of a minimum of 0.1 MHz.

Tuner Operation

Function of DPX503

PTY (Program Type)

Selecting the Program Type below and searching for a station;

Program Type	Display	Program Type	Display
Speech	"All Speech"	Jazz	"Jazz"
Music	"All Music"	Classical	"Classical"
News	"News"	R & B	"Rhythm & Blues"
Information	"Information"	Soft R & B	"Soft R & B"
Sports	"Sports"	Language	"Foreign Language"
Talk	"Talk"	Religious Music	"Religious Music"
Rock	"Rock"	Religious Talk	"Religious Talk"
Classic Rock	"Classic Rock"	Personality	"Personality"
Adult Hits	"Adult Hits"	Public	"Public"
Soft Rock	"Soft Rock"	College	"College"
Top 40	"Top 40"	Weather	"Weather"
Country	"Country"		
Oldies	"Oldies"		
Soft	"Soft"		
Nostalgia	"Nostalgia"		

- Speech and Music include the Program type shown below.
- Music: Black character item.
- Speech: White character item.

1 Enter PTY mode

Press the Control knob.

"PTY Select" is displayed.

2 Select the Program Type

Turn the Control knob or push it towards up or down.

3 Search for the selected Program Type station

Push the Control knob towards right or left.

4 Exit PTY mode

Press the Control knob.



- This function cannot be used during a traffic bulletin or AM reception.
- When the selected Program Type is not found, "No PTY" is displayed. Select another Program Type.

Function of DPX503

Program Type preset

Putting the Program Type in the Preset button memory and quick recall.

Presetting the Program Type

1 Select the Program Type to preset

Refer to <PTY (Program Type)> (page 16).

2 Preset the Program Type

Press the desired [1] — [6] button for at least 2 seconds.

Recalling the preset Program Type

1 Enter PTY mode

Refer to <PTY (Program Type)> (page 16).

2 Recall the Program Type

Press the desired [1] — [6] button.

Function of DPX503

Registration of a station as a PTY

Registering a Program Type for stations with no PTY data.

1 Receive the station you want to register

2 Select the Program Type to register

Refer to <PTY (Program Type)> (page 16).

3 Register the Program Type

Press the [AUTO] button for at least 2 seconds.

Confirming the Program Type

Press the [AUTO] button.

The Program Type is displayed for 3 seconds.

4 Exit PTY mode

Press the Control knob.

Other Functions

Activating Security Code



- You can set the Security Code with a 4 digit number of your choice.
- The Security Code cannot be displayed or referenced. Make a note of the Security Code and treasure it up.

1 Select Security Code item during Menu mode (In Standby mode)

"Security Set" is displayed.

For how to select Function Control items, refer to <Function Control> (page 6).

2 Enter Security Code mode

Press the Control knob for at least 1 second.

When "Enter" is displayed, "SECURITY SET" is also displayed.

3 Enter Security Code

Operation type	Operation
Select the digits to enter	Push the Control knob towards right or left.
Select the Security Code numbers	Turn the Control knob or push it towards up or down.

4 Confirm the Security Code

Press the Control knob for at least 3 seconds.

When "Re-Enter" is displayed, "SECURITY SET" is also displayed.

5 Do the step 3 through 4 operation, and reenter the Security Code.

"Approved" is displayed.

The Security Code function activates.



- If you enter the wrong Code in steps 3 through 4, repeat from step 3.

6 Exit Security Code mode

Press the [FNC] button.

Entering Security Code

The Security Code is required to use the audio unit when the unit is first used after removed from the battery power source or the Reset button is pressed.

1 Turn the power ON.

2 Do the step 3 through 4 operation, and enter the Security Code.

"Approved" is displayed.

Now, you can use the unit.

Deactivating Security Code

To deactivate the Security Code function.

1 Select Security Code item during Menu mode (In Standby mode)

Select the "Security Clear" display.

For how to select Function Control items, refer to <Function Control> (page 6).

2 Enter Security Code mode

Press the Control knob for at least 1 second.

When "Enter" is displayed, "SECURITY CLEAR" is also displayed.

3 Enter Security Code

Operation type	Operation
Select the digits to enter	Push the Control knob towards right or left.
Select the Security Code numbers	Turn the Control knob or push it towards up or down.

4 Press the Control knob for at least 3 seconds.

"Clear" is displayed.

The Security Code function deactivates.

5 Exit Security Code mode

Press the [FNC] button.



- If a wrong security code is entered, "Error" is displayed. Enter a correct security code.

Other Functions

Manual Clock Adjustment

1 Select Clock Adjustment item during Menu mode

Select the "Clock Adjust" display.
For how to select Function Control items, refer to <Function Control> (page 6).

2 Enter Clock adjustment mode Press the Control knob for at least 1 second.

The clock display blinks.

3 Adjusting Clock

Operation type	Operation
Selecting the item (hours or minutes)	Push the Control knob towards right or left.
Adjust each item	Turn the Control knob or push it towards up or down.

4 Exit Clock adjustment mode Press the [FNC] button.



- You can do this adjustment when "MENU" > "SYNC" in <Function Control> (page 6) is set to "OFF". (DPX503 only)

Date Adjustment

1 Select Date Adjustment item during Menu mode

Select the "Date Adjust" display.
For how to select Function Control items, refer to <Function Control> (page 6).

2 Enter Date adjustment mode Press the Control knob for at least 1 second.

The date display blinks.

3 Adjusting Date

Operation type	Operation
Selecting the item (month, day, or year)	Push the Control knob towards right or left.
Adjust each item	Turn the Control knob or push it towards up or down.

4 Exit Date adjustment mode Press the [FNC] button.

Demonstration mode setting

Turning the demonstration mode ON/OFF.

1 Select Demonstration item during Menu mode

Select the "DEMO Mode" display.
For how to select Function Control items, refer to <Function Control> (page 6).

2 Set the Demonstration mode Press the Control knob for at least 2 seconds.

Pressing this button for 2 seconds or longer toggles the setting between "ON" and "OFF".

3 Exit Demonstration mode Press the [FNC] button.

Audio Adjustments

Function of DPX503

Cabin selection

You can compensate the delay of the sound arrival time, which is caused by the installation position of the speakers, by selecting your environment from the following car types;

Car type (rear speaker position)	Display
Not compensating.	"OFF"
Compact car (rear door)	"Compact1"
Compact car (cargo)	"Compact2"
Full size car (rear door)	"Full Size Car1"
Full size car (cargo)	"Full Size Car2"
Station wagon (rear door)	"Wagon1"
Station wagon (cargo)	"Wagon2"
Minivan (rear door)	"Minivan1"
Minivan (cargo)	"Minivan2"
Sport-utility vehicle (rear door)	"SUV1"
Sport-utility vehicle (cargo)	"SUV2"
Minivan Long (rear door)	"Minivan(Long)1"
Minivan Long (cargo)	"Minivan(Long)2"
Calls the value adjusted at <DTA> (page 19).	"User"

1 Enter Cabin select mode

Select "SOUND" > "S-SET" > "CABIN".

For how to select Function Control item, refer to <Function Control> (page 6).

2 Select the car type

Turn the Control knob and push the center when the desired item is displayed.

3 Exit Cabin select mode

Press the [FNC] button.



- You can compensate the distances in more details by using <DTA> (page 19) function. In addition, the value specified at <DTA> can be called by selecting "User".

Function of DPX503

DTA (Digital Time Alignment) setting

Adjusting fine tuning of the speaker position compensation value specified at <Cabin selection> (page 19).

1 Enter DTA setting mode

Select "SOUND" > "S-SET" > "DTA".

For how to select Function Control item, refer to <Function Control> (page 6).

2 Select the speaker you want to set

Setting speaker	Display
Front speaker	"DTA-Front"
Rear speaker	"DTA-Rear"
Subwoofer	"DTA-Sub"

Turn the Control knob and push the center when the desired item is displayed.

3 Set the compensation value of the speaker position

Turn the Control knob.

Adjust between 0 and 14.44 feet.

Refer to <Appendix> (page 30) on how to set the compensation value.

4 Exit DTA setting mode

Press the [FNC] button.

Audio Adjustments

Function of DPX503

X'Over setting

You can set a X'Over value for the speakers;

Adjustment Item	Display	Range
Front High Pass Filter	"HPF-Front"	Through/40/60/80/100/120/ 150/180/220 Hz
Rear High Pass Filter	"HPF-Rear"	Through/40/60/80/100/120/ 150/180/220 Hz
Low Pass Filter	"LPF"	50/60/80/100/120/Through Hz
Subwoofer level	"SUB-W LEVEL"	-15 — +15
Subwoofer Phase	"SW PHASE"	Reverse (180°)/ Normal (0°)

1 Enter X'Over setting mode

Select "SOUND" > "S-SET" > "XOVER".

For how to select Function Control item, refer to <Function Control> (page 6).

2 Select the item you want to set

Turn the Control knob and push the center when the desired item is displayed.

3 Set the X'Over value

Turn the Control knob.

4 Exit X'Over setting mode

Press the [FNC] button.

Function of DPX503

Equalizer Control

You can adjust following Equalizer Control items ;

Adjustment Item	Display	Range
System Q	"Preset EQ"	"NATURAL" (Natural)/ "USER" (User setting)/ "ROCK" (Rock)/ "POPS" (Pops)/ "EASY" (Easy)/ "TOP40" (Top 40)/ "JAZZ" (Jazz)/ "GAME" (Game)
Bass level*	"Bass"	-8 — +8
Middle level*	"Middle"	-8 — +8
Treble level*	"Treble"	-8 — +8

* Source tone memory: Puts the set up value in the memory per source.



- "USER": The ranges selected lastly for Bass level, Middle level, and Treble level are recalled automatically.

1 Enter Equalizer Control mode

Select "SOUND" > "S-CTRL" > "EQ".

For how to select Function Control item, refer to <Function Control> (page 6).

2 Select the item you want to set

Turn the Control knob.

3 Set the value

Turn the Control knob.

4 Exit Equalizer Control mode

Press the [FNC] button.

Function of DPX503

Preset position selection

According to the listening position, select the position from the following settings so that the normal position of the sound environment can be compensated in accordance with the selected position;

Compensation seat	Range
Not compensating.	"All"
Front-Left seat	"FrontLeft"
Front-Right seat	"FrontRight"
Front seat	"FrontAll"
Calls the value adjusted at <Manual position setting> (page 21).	"USER"

1 Enter Position setting mode

Select "SOUND" > "S-CTRL" > "POSIT" > "P-POSI".

For how to select Function Control item, refer to <Function Control> (page 6).

2 Select the seat you want to compensate

Turn the Control knob.

3 Exit Position setting mode

Press the [FNC] button.

Manual position setting

Making fine adjustment of the value specified at Preset position selection per speaker.

1 Enter Position setting mode

Select "SOUND" > "S-CTRL" > "POSIT" > "M-POSI".

For how to select Function Control item, refer to <Function Control> (page 6).

2 Select the speaker you want to adjust

Item	Setting overview
"Front Lch"	Front Left speaker
"Front Rch"	Front Right speaker
"Rear Lch"	Rear Left speaker
"Rear Rch"	Rear Right speaker
"Sub Lch"	Subwoofer Left
"Sub Rch"	Subwoofer Right

Turn the Control knob and push the center when the desired item is displayed.

3 Adjust the speaker

Turn the Control knob.

Adjust between 0 and 5.58 feet.

4 Exit Position setting mode

Press the [FNC] button.



- When you select "USER" at <Preset position selection> (page 20), the adjusted setting value will be recalled.

Audio Preset Memory

Registering the value setup by Sound Control. The memory cannot be erased by the Reset button.

1 Setup Sound Control

Refer to the following operations to setup the Sound Control.

- Cabin selection (page 19)
- DTA (Digital Time Alignment) setting (page 19)
- X'Over setting (page 20)
- Equalizer Control (page 20)
- Preset position selection (page 20)
- Manual position setting (page 21)

2 Enter Audio Preset Memory mode

Select "SOUND" > "PRESET" > "MEMO".

For how to select Function Control item, refer to <Function Control> (page 6).

3 Put the Audio Preset in the memory

Press the Control knob.

"Memory?" is displayed.

4 Turn the Control knob to select "YES", and then press the Control knob.

"Memory Completed" is displayed.

5 Exit Audio Preset mode

Press the [FNC] button.



- Register 1 pair of Audio Preset Memory. You cannot register by the source.
- When you press the Reset, all the sources will be the setting value which is registered.

Audio Adjustments

Function of DPX503

Audio Preset Recall

Recalling the sound setup registered by <Audio Preset Memory> (page 24).

1 Select the source

For how to select source item, refer to <Power/Source Select button> of <Basic Operation> (page 4).

2 Enter Audio Preset Recall mode

Select **"SOUND" > "PRESET" > "RECALL"**.

For how to select Function Control item, refer to <Function Control> (page 6).

3 Recall the Audio Preset

Press the Control knob.

"Recall?" is displayed.

4 Turn the Control knob to select "YES", and then press the Control knob.

"Recall Completed" is displayed.

5 Exit Audio Preset Recall mode

Press the [FNC] button.



- The User memory of "SYSTEM Q" in <Equalizer Control> (page 20) is changed to the value which was recalled.
- The source tone memory item of <Equalizer Control> (page 20) is changed to the value which was recalled by the selected source.

Audio Control

You can adjust following Audio Control items ;

Adjustment Item	Display	Range
Rear volume	"REAR VOLUME"	0 — 35
Subwoofer level*	"SUB-W LEVEL"	-15 — +15
System Q*	"NATURAL"/ "USER"/"ROCK"/ "POPS"/"EASY"/ "TOP40"/"JAZZ"/ "GAME"	Natural/User setting/Rock/ Pops/Easy/Top 40/Jazz/Game
Bass level*	"BASS LEVEL"	-8 — +8
Middle level*	"MIDDLE LEVEL"	-8 — +8
Treble level*	"TREBLE LEVEL"	-8 — +8
Balance	"BALANCE"	Left 15 — Right 15
Fader	"FADER"	Rear 15 — Front 15

Exit Audio Control mode (Volume control mode)

*Function of DPX303.



- Source tone memory: You can set Bass, Middle, and Treble for each source.
- "USER": The ranges selected lastly for Bass level, Middle level, and Treble level are recalled automatically.

1 Select the source to adjust

For how to select source item, refer to <Power/Source Select button> of <Basic Operation> (page 4).

2 Enter Audio Control mode

Press the [AUD] knob.

3 Select the Audio item to adjust

Press the [AUD] knob.

4 Adjust the Audio item

Turn the [AUD] knob.

5 Exit Audio Control mode

Press any button.

Press a button other than the [AUD] knob or [▲] and [ATT] button.

Audio Setup

You can set Sound system , such as follows;

Adjustment Item	Display	Range
Front High Pass Filter*	"HPF-F"	Through/40/60/80/100/120/ 150/180/220 Hz
Rear High Pass Filter*	"HPF-R"	Through/40/60/80/100/120/ 150/180/220 Hz
Low Pass Filter*	"LPF"	50/60/80/100/120/Through Hz
Subwoofer Phase*	"SW PHASE"	Reverse (180°)/ Normal (0°)
Volume offset	"VOL-OFFSET"	-8 — ±0 (AUX: -8 — +8)
Loudness*	"LOUD"	OFF/ON
Dual Zone System	"2 ZONE"	OFF/ON

*Function of DPX303.



- Volume offset: Sets each source's volume as a difference from the basic volume.
- Loudness: Compensates for low and high tones during low volume. (Only the low tone is compensated for when the tuner is selected as a source.)
- Dual Zone System
Main source and sub source (Auxiliary input) output Front channel and Rear channel separately.
 - Set up the channel of sub source by "Zone2" of <Function Control> (page 6).
 - Select Main source by [SRC] button.
 - Adjust the volume of Front channel by [AUD] knob.
 - Adjust the volume of Rear channel by <Audio Control> (page 22) or [▲]/[▼] button on the remote control (page 27).
 - The Audio Control has no effect on sub source.

1 Select the source to adjust

For how to select source item, refer to <Power/ Source Select button> of <Basic Operation> (page 4).

2 Enter Audio Setup mode

Press the [AUD] knob for at least 1 second.

3 Select the Audio Setup item to adjust

Press the [AUD] knob.

4 Adjust the Audio setup item

Turn the [AUD] knob.

5 Exit Audio Setup mode

Press the [AUD] knob for at least 1 second.

Speaker Setting

Fine-tuning so that the System Q value is optimal when setting the speaker type as follows;

Speaker type	Display
OFF	"OFF"
For 5 & 4 in. speaker	"5/4inch"
For 6 & 6x9 in. speaker	"6x9/6inch"
For the OEM speaker	"O.E.M."

1 Enter Standby

Select the "STANDBY" display.

For how to select source item, refer to <Power/ Source Select button> of <Basic Operation> (page 4).

2 Enter Speaker Setting mode

Press the [AUD] knob.

"SP SEL" is displayed.

3 Select the Speaker type

Turn the [AUD] knob.

4 Exit Speaker Setting mode

Press the [AUD] knob.

Audio Adjustments

Function of DPX303

Audio Preset Memory

Registering the value setup by Sound Control. The memory cannot be erased by the Reset button.

1 Setup Sound Control

Refer to the following operations to setup the Sound Control.

- <Audio Control> (page 22)
- <Audio Setup> (page 23)

2 Select Audio Preset item during Menu mode (Other than Standby mode)

Select the "Audio Preset" display.

For how to select Function Control items, refer to <Function Control> (page 6).

3 Enter Audio Preset mode

Press the Control knob for at least 1 second.

4 Select the Audio Preset Memory

Turn the Control knob.

Select the "Memory" display.

5 Determine whether to put the Audio Preset in the memory

Press the Control knob.

"Memory?" is displayed.

6 Put the Audio Preset in the memory

Turn the Control knob to select "YES", and then press the Control knob.

"Memory Completed" is displayed.

7 Exit Audio Preset mode

Press the [FNC] button.



- Register 1 pair of Audio Preset Memory. You cannot register by the source.
- When you press the Reset, all the sources will be the setting value which is registered.
- The following items cannot be registered.
Volume, Balance, Fader, Loudness, Volume offset, Dual Zone System, Rear Volume

Function of DPX303

Audio Preset Recall

Recalling the sound setup registered by <Audio Preset Memory> (page 24).

1 Select the source

For how to select source item, refer to <Power/Source Select button> of <Basic Operation> (page 4).

2 Select Audio Preset item during Menu mode (Other than Standby mode)

Select the "Audio Preset" display.

For how to select Function Control items, refer to <Function Control> (page 6).

3 Enter Audio Preset mode

Press the Control knob for at least 1 second.

4 Select the Audio Preset Recall

Turn the Control knob.

Select the "Recall" display.

5 Determine whether to recall the Audio Preset

Press the Control knob.

"Recall?" is displayed.

6 Recall the Audio Preset

Turn the Control knob to select "YES", and then press the Control knob.

"Recall Completed" is displayed.

7 Exit Audio Preset mode

Press the [FNC] button.



- The User memory of "SYSTEM Q" in <Audio Control> (page 22) is changed to the value which was recalled.
- The source tone memory item of <Audio Control> (page 22) is changed to the value which was recalled by the selected source.

Satellite Radio tuner control (Optional)

Basic Operation

Selecting Satellite Radio source

Press the [SRC] button.

Select the "SAT"/"SIRIUS"/"XM" display.

For how to select source item, refer to <Power/Source Select button> of <Basic Operation> (page 4).



- You need to register to the service provider to receive the service by Satellite Radio. Consult the service provider if "CALL ... TO SUBSCRIBE" appears.
- The radio may take a little time to start receiving after you select the Satellite Radio source.
- If the signal reception fails, "Acquiring Signal"/"No Signal" appears.

Switching Seek Mode

Press the [AUTO] button.

Display	Operation
"Channel"	Normal manual seeking control.
"Preset"	Search in order of the channels in the Preset memory.

Select the channel

Push the Control knob towards right or left.

Selecting the Preset Band

Push the Control knob toward up.

Each time you push the knob, the preset band alternates between the SR1, SR2, SR3 and SR4.

Channel Scan (SIRIUS only)

Press the [AUTO] button for at least 2 seconds.

Pressing this button for 2 seconds or longer allows you to check individual channel for 10 seconds each. Pressing this button again for 2 seconds or longer allows you to exit this mode.

Category and Channel Search

Selecting the channel and category you want to receive.

1 Enter Category and Channel Search mode

Press the Control knob.

2 Select the Category

Push the Control knob towards up or down.

3 Select the Channel

Push the Control knob towards right or left.

Cancelling Category and Channel Search mode

Press the Control knob.



- You cannot Channel search until the category information is acquired.

Function of remote control

Direct Access Tuning

Entering the channel and tuning.

1 Enter Direct Access Tuning mode

Press the [DIRECT] button on the remote control.

2 Enter the channel

Press the number buttons.

3 Do Channel Search

Press the [◀◀] or [▶▶] button.

Cancelling Direct Access Tuning

Press the [DIRECT] button on the remote control.



- If you make no button operation for 10 seconds, the Direct Access Tuning mode is automatically canceled.
- If you cannot receive any signal in the input Channel due to bad conditions on radio wave or other such problems, "Acquiring Signal"/"No Signal" appears.

Satellite Radio tuner control (Optional)

Preset Memory

Putting the channel in the memory.

1 Select the channel to put in the memory

Push the Control knob towards right or left.

2 Enter Preset Memory mode

Select "P.MEM"

For how to select Function Control item, refer to <Function Control> (page 6).

3 Select the number to put in the memory

Turn the Control knob.

4 Determine the number to put in the memory

Press the Control knob.

5 Allow the determined number to take effect

Press the Control knob.

Canceling the Preset Memory mode

Press the [FNC] button.



- Only the channel number is stored. Category information is not stored.

Preset Tuning

Recalling the channels in the memory.

1 Enter Preset Tuning Select mode

Turn the Control knob.

A list is displayed.

2 Select a desired station in the memory

Turn the Control knob.

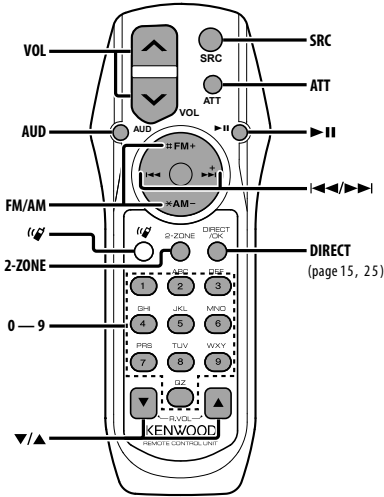
3 Recall the station

Press the Control knob.

Canceling Preset Tuning

Press the [FNC] button.

Basic Operations of remote control



General control

- Volume control [VOL]
- Source select [SRC]
- Volume reduce [ATT]

In Audio control

- Audio item select [AUD]
- Adjusts the Audio item [VOL]



- Refer to <Audio Control> (page 22) for the operation method, such as the procedures for Audio control and others operations.

Dual Zone control

- Dual zone system on and off [2-ZONE]
- Rear channel volume control [▲]/[▼]

In Tuner/HD Radio source

- Band select [FM]/[AM]
- Station select [◀]/[▶]
- Recall preset stations [1] — [6]

In CD/USB source

- Music select [◀]/[▶]
- Folder/Disc select [FM]/[AM]
- Pause/Play [▶II]

In Satellite Radio tuner source

- Preset band select [FM]
- Channel select [◀]/[▶]
- Recall preset channels [1] — [6]



About

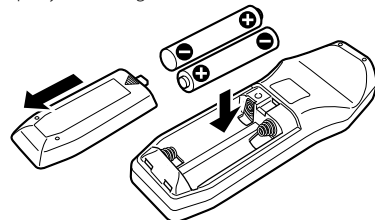
This button is used when Bluetooth HANDS FREE BOX is connected. For more information, refer to the instruction manual of Bluetooth HANDS FREE BOX.



- Do not set the remote control in hot places such as on the dashboard.

Loading and Replacing battery

Use two "AA"/"R6"-size batteries. Slide the cover while pressing downwards to remove it as illustrated. Insert the batteries with the + and - poles aligned properly, following the illustration inside the case.



Appendix

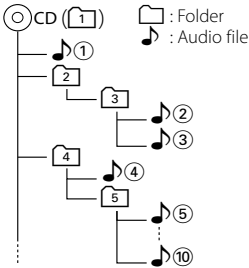
About Audio file

- **Playable Audio file**
AAC-LC (.m4a), MP3 (.mp3), WMA (.wma)
- **Playable disc media**
CD-R/RW/ROM
- **Playable disc file format**
ISO 9660 Level 1/2, Joliet, Romeo, Long file name.
- **USB device Playable Model**
DPX503
- **Playable USB device**
USB mass storage class
- **Playable USB device file system**
FAT16, FAT32

Although the audio files are complied with the standards listed above, the play maybe impossible depending on the types or conditions of media or device.

• Playing order of the Audio file

In the example of folder/file tree shown below, the files are played in the order from ① to ⑩.



An online manual about audio files is put on the site, www.kenwood.com/audiofile/. On this online manual, detailed information and notes which are not written in this manual are provided. Make sure to read through the online manual as well.



- In this manual, the word "USB device" is used for flash memories and digital audio players which have USB terminals.
- The word "iPod" appearing in this manual indicates the iPod connected with the iPod connection cable (optional accessory). The iPod connected with the iPod connection cable can be controlled from this unit. iPods that can be connected with the iPod connection cable are the iPod nano, Fifth Generation iPod, iPod classic, and iPod touch. Other iPods cannot be connected.

About USB device

- If you start playback after connecting the iPod, the music that has been played by the iPod is played first.
In this case, "RESUMING" is displayed without displaying a folder name, etc. Changing the browse item will display a correct title, etc.
- When the iPod is connected to this unit, "KENWOOD" or "✓" is displayed on the iPod to indicate that you cannot operate the iPod.
- When the USB device is connected to this unit, it can be charged up provided that this unit is powered.
- Install the USB device in the place where it will not prevent you from driving your vehicle properly.
- You cannot connect a USB device via a USB hub and Multi Card Reader.
- Take backups of the audio files used with this unit. The files can be erased depending on the operating conditions of the USB device.
We shall have no compensation for any damage arising out of erasure of the stored data.
- No USB device comes with this unit. You need to purchase a commercially available USB device.
- When connecting the USB device, usage of the CA-U1EX (option) is recommended.
Normal playback is not guaranteed when a cable other than the USB compatible cable is used.
Connecting a cable whose total length is longer than 5 m can result in abnormal playback.

About KENWOOD "Music Editor" of PC application

- "Music Editor" is recorded in the CD-ROM attached to this unit.
- Refer to the user's manual recorded in the installation CD-ROM and Help of "Music Editor" for the operation method of "Music Editor".
- The unit can play USB device created by "Music Editor".
- Information about "Music Editor" upgrade is put on the site, www.kenwood.com.

About Satellite Radio tuner (Optional)

This unit supports Satellite Radio tuners which are released by SIRIUS and XM.
Refer to the instruction manual of Satellite radio tuner.

About HD Radio (Optional)

When you connect an HD Radio, Tuner features of the unit are disabled and changed to HD Radio tuner features.

With the HD Radio tuner, you can use the similar functions of Tuner features. Refer to Tuner features for how to use the functions.

For operating KCA-BT100 (Optional)

However, the following control methods of the function for this unit may be different from the Instruction manual; therefore, refer to the following supplemental instruction.

<Deleting a Registered Cell-Phone>

- 1–3. Operation is the same. Refer to the instruction manual of KCA-BT100.
4. Press the Control knob.
5. Select "YES" using the Control knob.
6. Press the Control knob.
7. Press the [FNC] button.

<Menu System>

For how to operate Menu, refer to <Function Control> in this instruction manual.

About display

Cell-Phone Status is displayed in the status display of this unit.

Moreover, some displays are different from the description of KCA-BT100 Instruction Manual.

Displays of KCA-BT100 Instruction Manual	Actual displays on this unit
"Disconnect"	"HF Disconnect"
"Connect"	"HF Connect"
"Phone Delete"	"Device Delete"
"Phone Status"	"BT DVC Status"

BT : Displays the bluetooth connection status.

This indicator turns on when a cell-phone is connected to this unit.

Function Control Glossary

• SRC Select

Setting up the Source Select mode.

1 : Displays source icons for your choice.

2 : Allows you to select sources one after another.

• Display

If this unit is not operated at least 5 seconds with "OFF" selected, the display turns off. During a setup mode, the display will not turn off even if 5 seconds lapse.

• ILM Dimmer (illumination dimmer)

Reduces the key illumination brightness.

AUTO: Dims the illumination in conjunction with the Light switch of the vehicle.

MNAL: Dims the illumination constantly.

OFF: Does not dim the illumination.

• AT COL CHG (Automatic illumination color change)

Selecting "iPod" changes the key illumination automatically according to the color of the iPod body during playback of the iPod source.

* The color of key illumination is only a recommended color by our company. It does not necessarily match the body color of iPod.

Compatible iPod models:

iPod (5th generation), iPod classic, iPod touch, iPod nano (1st/2nd/3rd generation), Fifth Generation iPod (iPod with video)

• SWPRE (Switching Preout)

Switches the preout between rear output ("Rear") and subwoofer output ("Sub-W").

• AMP

Selecting "OFF" turns off the built-in amplifier. Turning off the built-in amplifier improves the quality of the sound from Preout.

• Zone2 (Dual Zone)

Set the destination (front speaker "Front" or rear speaker "Rear") of the sub source (AUX IN) when the Dual Zone function is turned on.

• Supreme

Technology to extrapolate and supplement with proprietary algorithm, the high-frequency range that is cut off when encoding at low bit rate (less than 128Kbps, Sampling frequency is 44.1kHz). Supplementing is optimized by compression format (AAC, MP3 or WMA) and processed according to bit rate.

The effect is negligible with music that is encoded at high bit rate, variable bit rate or has minimal high frequency range.

• Receive Mode (Receive mode Setting)

Sets the receive mode of the HD Radio.

Auto: Automatically tunes to analog broadcast when there is no digital broadcast.

Digital: Digital broadcasts only.

Analog: Analog broadcasts only.

• CD Read

Sets the method for reading CD.

When unable to play special format CD, set this function to "2" to force playing. Note that some music CD may be unplayable even when set to "2". In addition, audio files cannot be played when set to "2". Normally, keep this set to "1".

1 : Automatically distinguishes between audio file disc and music CD when playing disc.

2 : Forces playing as music CD.

Appendix

- **DISP REVERSE**

Switches the panel display between positive or negative. In addition, you can reverse it in conjunction with the interior light.

POSI 1 : Displays the text in the positive.

POSI 2 : When the interior light is off, the text is displayed in the positive; when the interior light is on, the text is displayed in the negative.

NEGA 1 : Displays the text in the negative.

NEGA 2 : When the interior light is off, the text is displayed in the negative; when the interior light is on, the text is displayed in the positive.

- **Cabin**

The position of front and rear speakers may not have the same distance from the center of the vehicle interior.

For example, when a car type has the front speaker nearer to the center of the vehicle interior than the rear speaker, you hear a delayed sound from the rear speaker.

This function allows the sound of the nearer speaker to the center of the vehicle interior to be output with delays and compensates the sound arrival time from the front and rear speakers to be heard at the same time.

The sound arrival time can be compensated simply by selecting the car type you want to use, because the compensation values for typical cars have been preset.

You can specify the more suitable compensation values for your vehicle by using <DTA> (page 19) function.

You can also compensate the listening positions (such as front and rear) in accordance with scenes by specifying the positions at <Preset position selection> (page 20).

- **DTA (Digital Time Alignment)**

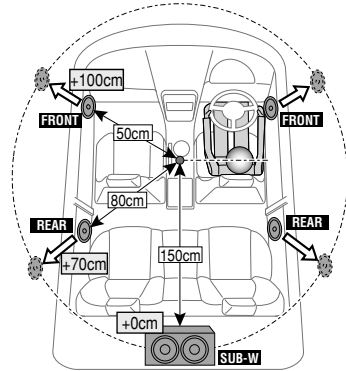
Make fine adjustment of the delay time of the speaker output specified at <Cabin selection> (page 19) to have a more suitable environment for your vehicle.

The settings of the delay time are automatically identified and compensated by specifying the distances of each speaker from the center of the vehicle interior.

1 Set the front and rear positions and the height of the reference point to the position of the ears of the person sitting in the front seat, and set the right and left positions to the center of the vehicle interior.

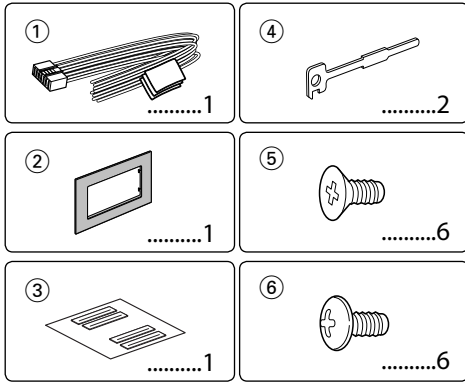
2 Measure the distances from the reference point to the speakers.

3 Calculate the distance difference in accordance with the farthest speaker.



Accessories/ Installation Procedure

Accessories



Installation Procedure

1. To prevent a short circuit, remove the key from the ignition and disconnect the \ominus battery.
2. Make the proper input and output wire connections for each unit.
3. Connect the speaker wires of the wiring harness.
4. Connect the wiring harness wires in the following order: ground, battery, ignition.
5. Connect the wiring harness connector to the unit.
6. Install the unit in your car.
7. Reconnect the \ominus battery.
8. Press the reset button.

▲WARNING

If you connect the ignition wire (red) and the battery wire (yellow) to the car chassis (ground), you may cause a short circuit, that in turn may start a fire. Always connect those wires to the power source running through the fuse box.



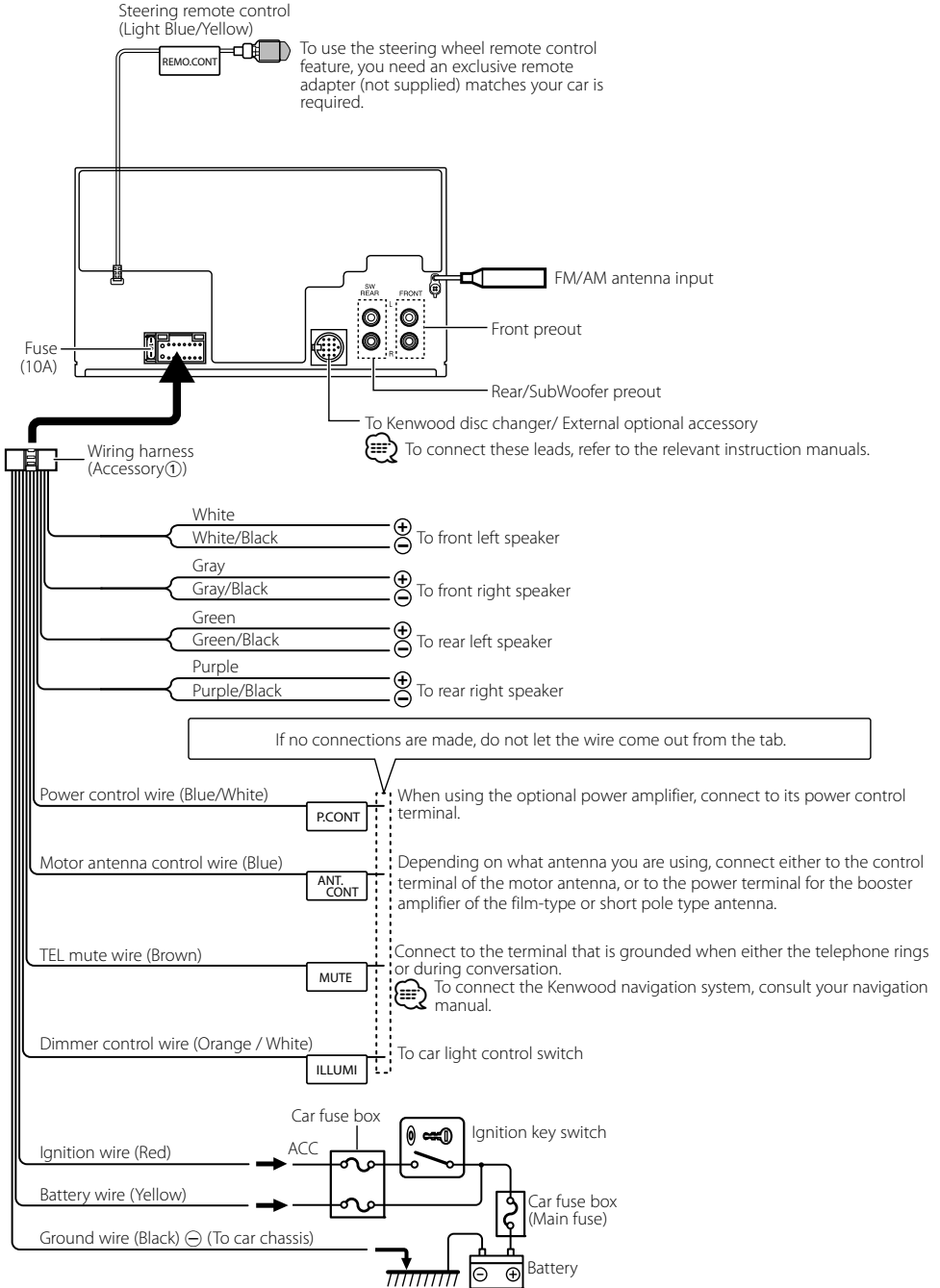
- Mounting and wiring this product requires skills and experience. For safety's sake, leave the mounting and wiring work to professionals.
- Make sure to ground the unit to a negative 12V DC power supply.
- Do not install the unit in a spot exposed to direct sunlight or excessive heat or humidity. Also avoid places with too much dust or the possibility of water splashing.
- Do not use your own screws. Use only the screws provided. If you use the wrong screws, you could damage the unit.
- If the power is not turned ON ("Protect" is displayed), the speaker wire may have a short-circuit or touched the chassis of the vehicle and the protection function may have been activated. Therefore, the speaker wire should be checked.
- If your car's ignition does not have an ACC position, connect the ignition wires to a power source that can be turned on and off with the ignition key. If you connect the ignition wire to a power source with a constant voltage supply, as with battery wires, the battery may die.
- If the console has a lid, make sure to install the unit so that the faceplate will not hit the lid when closing and opening.
- If the fuse blows, first make sure the wires aren't touching to cause a short circuit, then replace the old fuse with one with the same rating.
- Insulate unconnected wires with vinyl tape or other similar material. To prevent a short circuit, do not remove the caps on the ends of the unconnected wires or the terminals.
- Connect the speaker wires correctly to the terminals to which they correspond. The unit may be damaged or fail to work if you share the \ominus wires or ground them to any metal part in the car.
- When only two speakers are being connected to the system, connect the connectors either to both the front output terminals or to both the rear output terminals (do not mix front and rear). For example, if you connect the \oplus connector of the left speaker to a front output terminal, do not connect the \ominus connector to a rear output terminal.
- After the unit is installed, check whether the brake lamps, blinkers, wipers, etc. on the car are working properly.
- Mount the unit so that the mounting angle is 30° or less.

About CD players/disc changers connected to this unit

If the CD player/ disc changer has the "O-N" switch, set it to the "N" position.

The functions you can use and the information that can be displayed may differ depending on the models being connected.

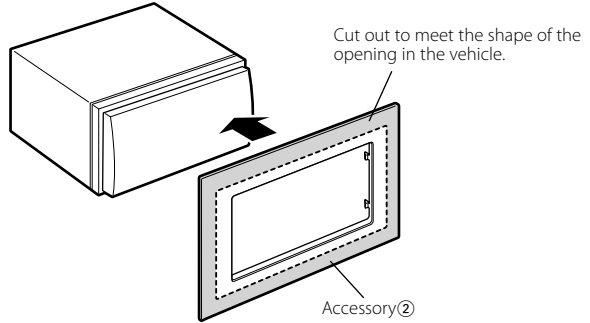
Connecting Wires to Terminals



Installing the Escutcheon

For General Motors

- 1 Refer to the section <Removing the Hard Rubber Frame> and then remove the hard rubber frame.
- 2 Cut out accessory ② to meet the shape of the opening of the center console.
- 3 Attach accessory ② to the unit.

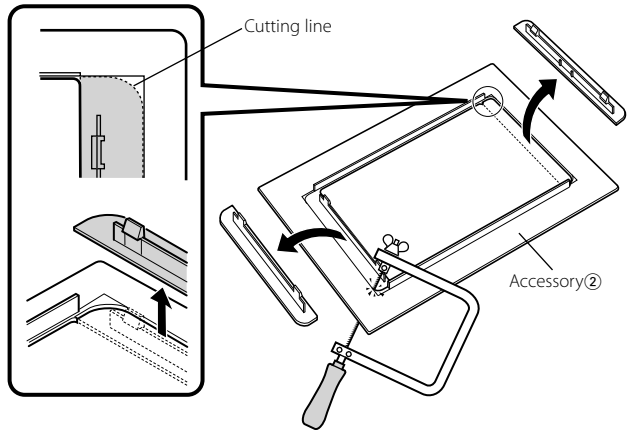


For TOYOTA/ SCION

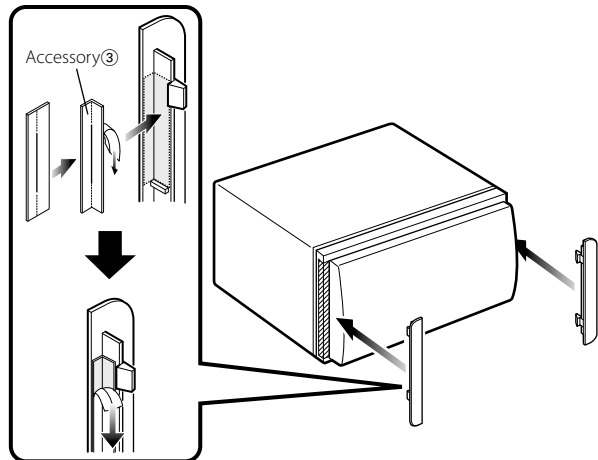
- 1 Refer to the section <Removing the Hard Rubber Frame> and then remove the hard rubber frame.
- 2 Cut out accessory ② as illustrated.



- When cutting out accessory ②, make sure it fits the opening of the center console.

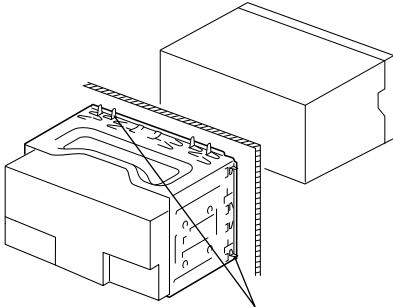


- 3 Fold double-sided adhesive (accessory ③) along the slit and attach it to accessory ② cut-out against the center rib as illustrated. Use 2 pieces of accessory ③ for 1 accessory ② cut-out.
- 4 Attach accessory ② cut-out to the unit.



Installation

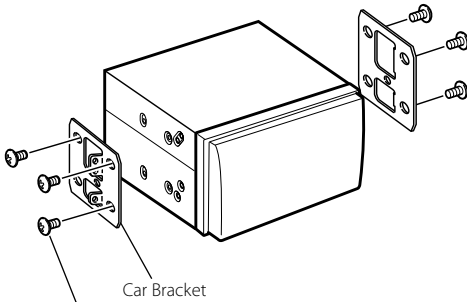
Installing the Unit



Bend the tabs of the mounting sleeve with a screwdriver or similar utensil and attach it in place.

Installing in Japanese-Made Cars and General Motors Cars

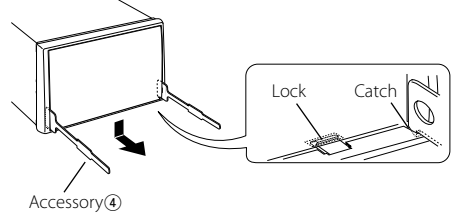
Install onto the car bracket using the supplied screws (M5 × 6 mm, M5 × 7 mm). The holes of the car bracket to use will differ depending on the car model.



Accessory⑤ (M5 × 7 mm)
or Accessory⑥ (M5 × 6 mm)

Removing the hard rubber frame

1 Engage the catch pins on the removal tool and remove the two locks on the upper level. Upper the frame and pull it forward as shown in the figure.



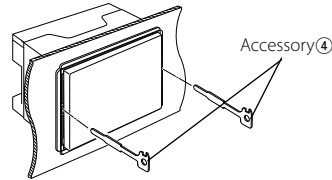
2 When the upper level is removed, remove the lower two locations.



• The frame can be removed from the bottom side in the same manner.

Removing the Unit

- 1 Refer to the section <Removing the hard rubber frame> and then remove the hard rubber frame.
- 2 Insert the two removal tools deeply into the slots on each side, as shown.
- 3 Lower the removal tool toward the bottom, and pull out the unit halfway while pressing towards the inside.



• Be careful to avoid injury from the catch pins on the removal tool.

4 Pull the unit all the way out with your hands, being careful not to drop it.

Troubleshooting Guide

Some functions of this unit may be disabled by some settings made on this unit.

- !** • **Cannot set up the subwoofer.**
- **Cannot set up the High Pass Filter.**
- **Cannot set up the Fader.**
- **No Audio control effect on AUX.**
- **Cannot set up the subwoofer position of Manual position setting.**
 - ▶ Preout is not set to subwoofer. **☞** "MENU" > "SWPRE" of <Function Control> (page 6)
 - <Subwoofer output> of <Basic Operation> (page 4) is not set to On.
 - The Dual zone function is enabled. **☞** <Audio Setup> (page 23)

- !** • **Cannot set up the subwoofer phase.**
 - ▶ The Low Pass Filter is set to Through. **☞** <Audio Setup> (page 23), <X'Over setting> (page 20)

- !** • **Cannot select the output destination of the subsource in the Dual zone.**
- **Cannot adjust the volume of the rear speakers.**
 - ▶ The Dual zone function is disabled. **☞** <Audio Setup> (page 23)

- !** • **Cannot register a security code.**
- **Cannot set up Display Illumination Control.**
 - ▶ <Demonstration mode Setting> (page 18) is not turned off.

What might seem to be a malfunction in your unit may just be the result of slight misoperation or miswiring. Before calling service, first check the following table for possible problems.

General

? The Touch Sensor Tone does not sound.

- ✓ The preout jack is being used.
 - ☞** The Touch Sensor Tone cannot be output from the preout jack.

? The illumination flashes when the knob or button is operated.

- ✓ This is the key illumination effect.
 - ☞** You set this effect in "MENU" > "ILM Effect" of <Function Control> (page 6).

? The key illumination effect brought about in conjunction with the sound volume is small.

- ✓ The key illumination effect may be insufficient depending on the sound volume and sound quality.

Tuner source

? Radio reception is poor.

- ✓ The car antenna is not extended.
 - ☞** Pull the antenna out all the way.

Disc source

? The specified disc does not play, but another one plays instead.

- ✓ The specified CD is quite dirty.
 - ☞** Clean the CD, referring to the CD cleaning of the section on <Handling CDs> (page 3).
- ✓ The disc is loaded in a different slot from that specified.
 - ☞** Eject the disc magazine and check the number for the specified disc.
- ✓ The disc is severely scratched.
 - ☞** Try another disc instead.

Audio file source

? The sound skips when an Audio file is being played.

- ✓ The media is scratched or dirty.
 - ☞** Clean the media, referring to the CD cleaning of the section on <Handling CDs> (page 3).
- ✓ The recording condition is bad.
 - ☞** Record the media again or use another media.

? Noise is heard when carrying out Folder Search.

- ✓ Noise may be produced if folders without audio files exist continuously in the playing media.
 - ☞** Do not make folders without audio files.

Troubleshooting Guide

The messages shown below display your systems condition.

- TOC Error:**
- No disc has been loaded in the disc magazine.
 - The CD is quite dirty. The CD is upside-down. The CD is scratched a lot.
- Error 05:** The disc is unreadable.
- Error 77:** The unit is malfunctioning for some reason.
- ✦ Press the reset button on the unit. If the "Error 77" code does not disappear, consult your nearest service center.
- Mecha Error/ Mecha ERR:**
- Something is wrong with the disc magazine. Or the unit is malfunctioning for some reason.
- ✦ Check the disc magazine. And then press the reset button on the unit. If the "Mecha Error" code does not disappear, consult your nearest service center.
- IN (Blink):** The CD player section is not operating properly.
- ✦ Reinsert the CD. If the CD cannot be ejected or the display continues to flash even when the CD has been properly reinserted, please switch off the power and consult your nearest service center.
- Protect:** The speaker wire has a short-circuit or touches the chassis of the vehicle, and then the protection function is activated.
- ✦ Wire or insulate the speaker cable properly and press the reset button. If the "Protect" code does not disappear, consult your nearest service center.
- Unsupported File:**
- An Audio file is played with a format that this unit can't support.
- Copy Protect/ Copy Protection/ COPY PRO:**
- A copy-protected file is played.
- Read Error:** The file system of the connected USB device is broken.
- ✦ Copy the files and folders for the USB device again. If the error message is still displayed, initialize the USB device or use other USB devices.
- No Device:** The USB device is selected as a source although no USB device is connected.
- ✦ Change the source to any source other than USB. Connect an USB device, and change the source to USB again.
- N/A Device:** An unsupported USB device is connected.
- No Music Data/ No Music/ Error 15:**
- The connected USB device contains no playable audio file.
 - Media was played that does not have data recorded that the unit can play.
- USB ERROR (Blink):**
- Some trouble may have occurred to the connected USB device.
- ✦ Remove the USB device, then cycle the power switch to ON. If the same display is repeated, use another USB device.
- iPod Error:** Connection to the iPod has failed.
- ✦ Check that the connected iPod is an iPod that is supported. See <About Audio file> (page 28) for information on supported iPods.
 - ✦ Remove the USB device and then reconnect it.
 - ✦ Confirm that the software for the iPod is the latest version.
- USB REMOVE:** The Remove mode has been selected for the USB device/iPod. You can remove the USB device/iPod safely.

Specifications

FM tuner section

- Frequency range (200 kHz space)
 - : 87.9 MHz – 107.9 MHz
- Usable sensitivity (S/N = 30dB)
 - : 9.3dBf (0.8 μ V/75 Ω)
- Quieting Sensitivity (S/N = 50dB)
 - : 15.2dBf (1.6 μ V/75 Ω)
- Frequency response (\pm 3 dB)
 - : 30 Hz – 15 kHz
- Signal to Noise ratio (MONO)
 - : 70 dB
- Selectivity (\pm 400 kHz)
 - : \geq 80 dB
- Stereo separation (1 kHz)
 - : 40 dB

AM tuner section

- Frequency range (10 kHz space)
 - : 530 kHz – 1700 kHz
- Usable sensitivity (S/N = 20dB)
 - : 28 dB μ (25 μ V)

CD player section

- Laser diode
 - : GaAlAs
- Digital filter (D/A)
 - : 8 Times Over Sampling
- D/A Converter
 - : 24 Bit
- Spindle speed
 - : 500 – 200 rpm (CLV)
- Wow & Flutter
 - : Below Measurable Limit
- Frequency response (\pm 1 dB)
 - : 10 Hz – 20 kHz
- Total harmonic distortion (1 kHz)
 - : 0.008 %
- Signal to Noise ratio (1 kHz)
 - : 105 dB
- Dynamic range
 - : 93 dB
- MP3 decode
 - : Compliant with MPEG-1/2 Audio Layer-3
- WMA decode
 - : Compliant with Windows Media Audio
- AAC decode
 - : AAC-LC ".m4a" files

USB Interface (DPX503)

- USB Standard
 - : USB1.1/ 2.0
- Maximum Supply current
 - : 500 mA
- File System
 - : FAT16/ 32
- MP3 decode
 - : Compliant with MPEG-1/2 Audio Layer-3
- WMA decode
 - : Compliant with Windows Media Audio
- AAC decode
 - : AAC-LC ".m4a" files

Audio section

- Maximum output power
 - : 50 W x 4
- Full Bandwidth Power (at less than 1% THD)
 - : 22 W x 4
- Speaker Impedance
 - : 4 – 8 Ω
- Tone action
 - Bass : 100 Hz \pm 8 dB
 - Middle : 1 kHz \pm 8 dB
 - Treble : 10 kHz \pm 8 dB
- Preout level / Load (CD)
 - : 2500 mV/10 k Ω
- Preout impedance
 - : \leq 600 Ω

Auxiliary input

- Frequency response (\pm 1 dB)
 - : 20 Hz – 20 kHz
- Input Maximum Voltage
 - : 1200 mV
- Input Impedance
 - : 100 k Ω

General

- Operating voltage (11 – 16V allowable)
 - : 14.4 V
- Current consumption
 - : 10 A
- Installation Size (W x H x D)
 - : 182 x 112 x 160 mm
 - 7-3/16 x 4-7/16 x 6-5/16 inch
- Weight
 - : 3.5 lbs (1.6 kg)

▲CAUTION

Use of controls or adjustments or performance of procedures other than those specified herein may result in hazardous radiation exposure. In compliance with Federal Regulations, following are reproductions of labels on, or inside the product relating to laser product safety.

Kenwood Corporation
2967-3, ISHIKAWA-MACHI,
HACHIOJI-SHI
TOKYO, JAPAN

KENWOOD CORP. CERTIFIES THIS EQUIPMENT
CONFORMS TO DHHS REGULATIONS NO.21 CFR
1040. 10, CHAPTER 1, SUBCHAPTER J.

Location : Bottom Panel

FCC WARNING

This equipment may generate or use radio frequency energy. Changes or modifications to this equipment may cause harmful interference unless the modifications are expressly approved in the instruction manual. The user could lose the authority to operate this equipment if an unauthorized change or modification is made.

FCC NOTE

This equipment has been tested and found to comply with the limits for a Class B digital device, pursuant to Part 15 of the FCC Rules. These limits are designed to provide reasonable protection against harmful interference in a residential installation. This equipment may cause harmful interference to radio communications, if it is not installed and used in accordance with the instructions. However, there is no guarantee that interference will not occur in a particular installation. If this equipment does cause harmful interference to radio or television reception, which can be determined by turning the equipment off and on, the user is encouraged to try to correct the interference by one or more of the following measures:

- Reorient or relocate the receiving antenna.
- Increase the separation between the equipment and receiver.
- Connect the equipment into an outlet on a circuit different from that to which the receiver is connected.
- Consult the dealer or an experienced radio/TV technician for help.

Table des matières

Avant l'utilisation	41	Réglages audio	57
Fonctionnement basique	42	Sélection de la cabine	
Fonctions générales		Réglage de la fonction DTA (Digital Time Alignment ou Alignement chronologique numérique)	
Fonctions du tuner		Réglage du répartiteur	
Fonctions de lecture du disque et des fichiers audio		Commande de l'égaliseur	
Commande de fonction	44	Sélection de la position préséglée	
Réglages de l'affichage	46	Réglage manuel de la position	
À propos du type d'affichage		Mémoire de préséglage audio	
Sélection de texte pour l'affichage		Rappel de préséglage audio	
Sélection de la couleur d'éclairage		Commande du son	
Mémoire de préséglage des couleurs d'éclairage		Réglage audio	
Rappel du préséglage de la couleur d'éclairage		Réglage des enceintes	
Réglage de l'affichage d'entrée auxiliaire		Mémoire de préséglage audio	
Nommer une station/un disque (SNPS/DNPS)		Rappel de préséglage audio	
Édition du message d'accueil		Commande du tuner Satellite Radio (Optionnel)	63
Fonctionnement des disques audio/ fichiers audio	51	Fonctionnement basique	
Sélection d'un morceau		Recherche de catégorie et de canal	
Recherche directe d'un morceau		Syntonisation à accès direct	
Recherche directe de disque		Mémoire préséglée	
Fonctionnement de base du changeur de disque (Optionnel)		Syntonisation préséglée	
Fonctionnement du tuner	53	Opérations de base de la télécommande	65
Mémoire de préséglage des stations		Appendice	66
Syntonisation préséglée		Accessoires/ Procédure d'installation	69
Syntonisation à accès direct		Connexion des câbles aux bornes	70
PTY (Type de Programme)		Installation de l'écusson	71
Préréglage du type de programme		Installation	72
Enregistrement d'une station comme PTY		Guide de dépannage	73
Autres fonctions	55	Caractéristiques techniques	75
Activation du code de sécurité			
Désactivation du code de sécurité			
Réglage manuel de l'horloge			
Réglage de la date			
Réglage du mode de démonstration			

- iPod is a trademark of Apple, Inc., registered in the U.S. and other countries.
- The "AAC" logo is trademark of Dolby Laboratories.

Avant l'utilisation

▲AVERTISSEMENT

Pour éviter toute blessure et/ou incendie, veuillez prendre les précautions suivantes:

- Pour éviter les court-circuits, ne jamais mettre ou laisser d'objets métalliques (comme une pièce de monnaie ou un outil en métal) à l'intérieur de l'appareil.

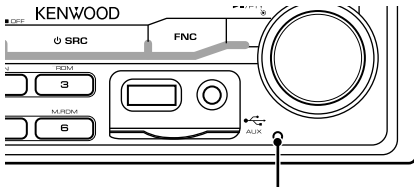
Avant d'utiliser l'appareil pour la première fois

Cet appareil est réglé au préalable sur le mode de démonstration.

Lors de la première utilisation de cet appareil, annuler le <Réglage du mode de démonstration> (page 56).

Comment réinitialiser votre appareil

- Si cet appareil ou l'appareil connecté (échangeur automatique de disques, etc.) ne fonctionne pas correctement, appuyer sur la touche de réinitialisation. L'appareil retourne aux réglages de l'usine quand la touche de réinitialisation est enfoncée.



Touche de réinitialisation

Nettoyage de l'appareil

Si le panneau avant de cet appareil est taché, essayez-le avec un chiffon sec et doux, par exemple un chiffon au silicone.

Si le panneau avant est très taché, essayez-le avec un chiffon imbibé d'un produit de nettoyage neutre et essayez ensuite toute trace de ce produit.



- La pulvérisation directe de produit de nettoyage sur l'appareil risque d'affecter les pièces mécaniques. L'utilisation d'un chiffon rugueux ou d'un liquide volatil tel qu'un solvant ou de l'alcool pour essuyer le panneau avant peut rayer la surface ou effacer des caractères.

Condensation sur la lentille

Juste après avoir mis le chauffage de la voiture par temps froid, de l'humidité risque de se former sur la lentille à l'intérieur du lecteur CD. Cette condensation peut rendre la lecture de CD impossible. Dans ce cas, retirez le disque et attendez que l'humidité s'évapore. Si l'appareil ne fonctionne toujours pas normalement après quelques temps, consultez votre revendeur Kenwood.

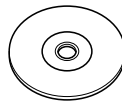
- Si vous rencontrez des problèmes pendant l'installation, consultez votre revendeur Kenwood.
- Lorsque vous achetez des accessoires en option, vérifiez auprès de votre revendeur Kenwood que ces accessoires fonctionnent avec votre modèle dans votre région.
- Les caractères conformes à la norme ISO 8859-1 peuvent être affichés.
- Dans ce document, l'allumage d'un indicateur signifie l'affichage d'un statut. Référez-vous au chapitre <À propos du type d'affichage> (page 46) pour obtenir des détails sur l'affichage du statut.
- Les illustrations de l'affichage, des icônes de fonctions et du panneau apparaissant dans ce manuel sont des exemples utilisés pour expliquer avec plus de clarté comment les commandes sont utilisées. Il est donc possible que les illustrations d'affichage puissent être différentes de ce qui est réellement affiché sur l'appareil et aussi que certaines illustrations représentent des choses impossibles à réaliser en cours de fonctionnement.


Manipulation des CD

- Ne pas toucher la surface d'enregistrement d'un CD.
- Ne pas coller de ruban adhésif, etc. sur les CD et ne pas utiliser de CD avec du ruban adhésif collé dessus.
- Ne pas utiliser d'accessoires type disque.
- Nettoyer le disque en partant du centre vers l'extérieur.
- Pour retirer des CD de cet appareil, les tirer horizontalement.
- Si le trou central ou la bordure externe du CD possède des ébarbures, n'utiliser le CD qu'après avoir enlevé les ébarbures à l'aide d'un stylo à bille etc.

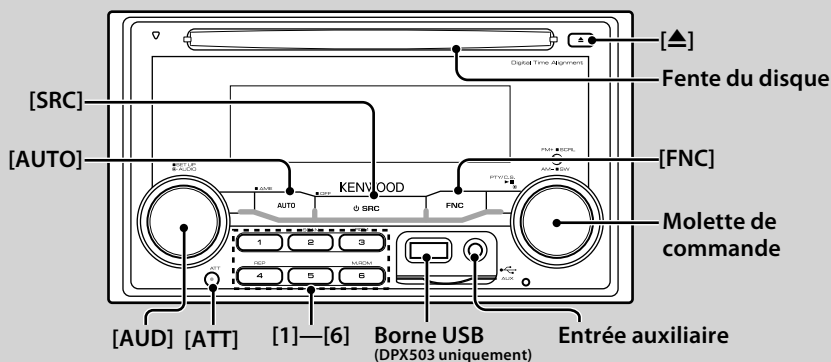
CD qui ne peuvent être utilisés

- Les CD non circulaires ne peuvent être utilisés.



- Les CD comportant des colorations sur la surface d'enregistrement ou qui sont sales ne peuvent être utilisés.
- Cet appareil ne peut lire que les CD comportant . Il ne peut jouer les disques qui ne comportent pas cette marque.
- Un CD-R ou CD-RW qui n'a pas été finalisé ne peut être lu. (Pour le procédé de finalisation, veuillez consulter votre programme de gravure de CD-R/CD-RW et les instructions du manuel d'utilisation de votre graveur de CD-R/CD-RW.)

Fonctionnement basique



Fonctions générales

Touche d'alimentation/Sélection de la source: [SRC]

Mise en marche.

Lorsque l'appareil est sous tension, sélectionnez une source.

Mode de sélection SRC 1: Appuyez sur la touche [SRC] puis tournez la molette de commande ou poussez-la vers la gauche ou la droite. Pour déterminer la source sélectionnée, appuyez sur la molette de commande.

Mode de sélection SRC 2: A chaque fois que vous appuyez sur cette touche, la source change.

Tuner ("TUNER"), USB ou iPod "USB" ou "iPod") (DPX503 uniquement), CD ("Compact Disc"), Entrée auxiliaire ("AUX"), et Veille ("STANDBY")

Appuyez pendant au moins 1 seconde pour éteindre l'autoradio.



- Le mode de sélection SRC peut être réglé dans la rubrique "MENU" > "SRC Select" de la section <Commande de fonction> (page 44).
- Lorsqu'un accessoire optionnel est connecté, le nom de la source apparaît pour chaque appareil.
- Une fois la connexion de l'iPod reconnue, l'affichage de la source passe de "USB" à "iPod". (DPX503 uniquement)

Commande du volume: [AUD]

Tourner la molette pour régler le volume.

Atténuateur: [ATT]

Baisser le volume rapidement.

Une fois le volume réduit, le témoin "ATT" clignote.

Mise en sourdine du volume lors de la réception d'un appel téléphonique

Lors d'un appel, "CALL" s'affiche et le système audio est mis en pause.

Lorsque l'appel se termine, "CALL" disparaît et le système audio est réactivé.

Le système audio peut être réactivé pendant un appel en appuyant sur la touche [SRC].



- Pour utiliser la fonction de sourdine TEL, vous devez connecter le fil MUTE à votre téléphone à l'aide d'un accessoire de téléphone commercial. Reportez-vous à <Connexion des câbles aux bornes> (page 70).

Entrée auxiliaire: Entrée auxiliaire

Connectez un appareil audio portable à l'aide d'un câble à mini-prise (ø 3,5 mm).



- Utilisez un câble à mini-prise stéréo et sans résistance.
- L'entrée auxiliaire nécessite le réglage réalisé dans la rubrique "MENU" > "Built in AUX" de la <Commande de fonction> (page 44).

Sortie Subwoofer: Molette de commande

Permet d'activer ("SUBWOOFER ON") et de désactiver ("SUBWOOFER OFF") à chaque fois que vous poussez vers le bas pendant au moins 2 secondes.

Commande de fonction: [FNC]

Appuyez sur cette touche pour pouvoir paramétrer divers fonctions à l'aide de la molette de commande. Reportez-vous à la section <Commande de fonction> (page 44).

Catégorie	Fonction de l'élément de configuration
MENU	Permet de configurer l'environnement.
SOUND*	Permet de configurer l'environnement sonore.
DISP	Permet de configurer l'affichage.
COLOR*	Permet de configurer la couleur de l'éclairage.

*Fonction du DPX503

Défilement du Texte/Titre: Molette de commande

Le texte du CD et du fichier audio défile lorsque vous poussez la molette vers le haut pendant au moins 2 secondes.

Fonctions du tuner

Sélection de la bande: Molette de commande

Commute entre FM1, FM2, et FM3 à chaque fois que vous poussez la molette de commande vers le haut. Passe à AM à chaque fois que vous poussez vers le bas.

Syntonisation: Molette de commande

Change la fréquence en poussant vers la gauche ou vers la droite.



- Pendant la réception de stations stéréo, le témoin "ST" est allumé.

Sélection du mode de syntonisation: [AUTO]

Alterne comme indiqué ci-dessous à chaque pression de cette touche.

Mode de syntonisation	Affichage	Opération
Recherche automatique	"Auto1"	Recherche automatique d'une station.
Recherche de station pré-réglée	"Auto2"	Recherche dans l'ordre des stations présentes dans la mémoire de pré-réglage. (page 43/53)
Manuel	"Manual"	Commande normale manuelle de la syntonisation.

Entrée de la mémoire automatique: [AUTO]

Permet de mémoriser automatiquement six stations ayant une réception de bonne qualité en appuyant pendant au moins 2 secondes.

Mémoire pré-réglée: [1] - [6]

Permet de mémoriser la station sélectionnée en appuyant pendant au moins 2 secondes.

Syntonisation pré-réglée: [1] - [6]

Rappelle la station mémorisée.

Fonctions de lecture du disque et des fichiers audio

Lecture du disque: Fente du disque

Commence la lecture lorsqu'un disque est inséré. Lorsqu'un CD est inséré, le témoin "IN" s'allume.



- Les CD 3" ne sont pas supportés. Vous risquez de provoquer un dysfonctionnement en essayant d'un insérer un à l'aide d'un adaptateur.

Éjection du disque: [▲]



- Il est possible d'éjecter le disque 10 minutes après l'arrêt du moteur.

Lecture du périphérique USB/iPod (Fonction du DPX503): Borne USB

La lecture commence dès la connexion d'un appareil USB.



- Pour plus de détail sur les fichiers audio, supports, et périphériques qui peuvent être reproduits, reportez-vous à <À propos des fichiers audio> (page 66).

Pause et lecture: Molette de commande

Alterne entre pause et lecture à chaque pression de la partie centrale.

Retrait du périphérique USB (DPX503 uniquement): [▲]

Appuyer sur cette touche pendant 2 secondes ou plus pour sélectionner le mode retrait, et retirer le dispositif USB.

Pendant le mode retrait, l'indicateur "USB REMOVE" est allumé.

Recherche de morceaux: Molette de commande

Change la musique en poussant vers la gauche ou vers la droite.

Retour ou avance rapide de la musique en poussant et en restant vers la gauche ou vers la droite. (Aucun son n'est émis pendant la lecture du fichier audio.)

Recherche de dossiers: Molette de commande

Change le dossier contenant le fichier audio en poussant vers le haut ou vers le bas.

Lecture répétée de Piste/Fichier/Dossier: [4]

Commute entre la répétition d'une piste ("Repeat ON") et OFF ("Repeat") en appuyant pendant la lecture d'un CD.

Commute entre la répétition d'un fichier ("File Repeat ON"), d'un dossier ("Folder Repeat ON"), et OFF ("Repeat") en appuyant pendant la lecture d'un fichier audio.



- La commande de répétition du dossier ne peut être exécutée pendant que l'iPod en lecture.

Lecture par balayage: [2]

Lit successivement le début des pistes du disque ou du dossier.

Commute entre ON ("Scan ON"/ "File Scan ON") et OFF à chaque fois que vous appuyez sur la touche.



- L'opération de lecture par balayage ne peut pas être exécutée pendant la lecture d'un support iPod/ "Media Editor".

Lecture aléatoire: [3]

Lire de façon aléatoire la musique contenue sur le disque ou dans le dossier.

Commute entre ON ("Disc Random ON"/ "Folder RDM ON") et OFF à chaque fois que vous appuyez sur la touche.

Commande de fonction

Les fonctions présentes dans le tableau ci-dessous peuvent être configuré en utilisant la Commande de fonction.

Catégorie	Élément	Réglage	Entrée	Aperçu du réglage	Condition	Page
MENU	"Security Set"/ "Security Clear"		1 s	Permet de régler/réinitialiser le code de sécurité	SB	55
	"SRC Select"	"1"/"2"	◀○	Définit la méthode de sélection de la source.	SB	67
	"iPod Mode"*1	"OFF"/"ON"	◀○	Lorsqu'elle est réglée sur "ON", cette fonction vous permet de sélectionner de la musique de manière similaire à un iPod.	iPod	51
	"AT COL CHG"*1	"OFF"/"iPod"	◀○	Lorsque la source iPod est utilisée, cette fonction permet de définir si la couleur d'éclairage sera ou non modifiée par l'iPod.	iPod	67
	"Beep"	"OFF"/"ON"	◀○	Vous pouvez activer/désactiver le signal sonore de contrôle d'opération (bip).	SB	
	"Clock Adjust"		1 s	Règle l'horloge.	—	56
	"Date Adjust"		1 s	Permet de définir la date.	SB	56
	"Date Mode"	7 types	1 s	Permet de définir le mode d'affichage de la date.	SB	
	"SYNC"*1	"OFF"/"ON"	◀○	Vous pouvez synchroniser les données temps de la station RDS avec l'horloge de cet appareil.	SB	
	"DSI"	"OFF"/"ON"	◀○	Un indicateur rouge clignote sur l'appareil une fois que le contact est coupé, afin de dissuader les voleurs potentiels.	SB	
	"Display"	"OFF"/"ON"	◀○	Permet d'éteindre l'affichage lorsqu'aucune opération n'est exécutée.	—	67
	"Dimmer"	"OFF"/"ON"	◀○	Permet d'atténuer l'éclairage de l'affichage en conjonction avec l'allumage des phares de votre véhicule.	SB	
	"ILM Dimmer"	"AUTO"/"MNAL"/ "OFF"	◀○	Permet de choisir si l'éclairage sera atténué en fonction du commutateur des phares des véhicules ou s'il sera atténué constamment.	SB	67
	"ILM Effect"	"OFF"/"ON"	◀○	Permet de déterminer si la couleur de l'éclairage sera modifiée ou non en conjonction avec l'utilisation de la clé.	SB	
	"ILM MSC SYNC"	"OFF"/"ON"	◀○	Permet de déterminer si la couleur de l'éclairage des touches sera modifiée ou non en conjonction avec le volume sonore.	—	
	"ILM Color"*2	"Blue"/"Red"/ "Green"	◀○	Permet de définir la couleur d'éclairage des touches.	SB	
	"SWPRE"	"Rear"/"Sub-W"	◀○	Règle la sortie de la pré-sortie.	SB	67
	"AMP"	"OFF"/"ON"	◀○	Allume/éteint l'amplificateur intégré.	SB	67
	"Zone2"	"Rear"/"Front"	◀○	Permet de spécifier la destination du son de l'entrée AUX lorsque la fonction Double zone est activée.	2ZONE	67
	"Supreme"	"OFF"/"ON"	◀○	Active et désactive la fonction Supreme.	AF2	67
	"TI"*1	"OFF"/"ON"		Permet de diffuser les informations routières automatiquement lorsque le bulletin d'information commence.	SB	
	"CRSC"	"OFF"/"ON"	◀○	Active le mode mono pour réduire le bruit lorsque la réception est médiocre.	FM	
	"Receive Mode"	"Auto"/"Digital"/ "Analog"	1 s	Permet de définir le mode de réception de la radio HD.	HDR	67
	"ESN="		◀○	Affiche le numéro de série électronique de radio satellite.	SAT	
	"Name Set"		1 s	Permet de définir le nom de station (SNPS)/ nom de disque (DNPS)/ nom AUX.	→	49
	"Scroll"	"Auto"/"Manual"	◀○	Spécifie si le texte défile automatiquement.	—	
	"Built in AUX"	"OFF"/"ON"	◀○	Détermine si AUX doit être affiché pendant la sélection de la source.	SB	
	"CD Read"	"1"/"2"	◀○	Active le mode de lecture de CD.	SB	67
	"Audio Preset"*2		1 s	Permet de pré-régler la valeur de réglage de la commande audio. La valeur de pré-réglage est conservée après la réinitialisation.	SB	62
	"DISP REVERSE"	"POSI 1"/"POSI 2"/ "NEGA 1"/"NEGA 2"	◀○	Permet de faire basculer l'affichage du panneau entre affichage positif et affichage négatif.	—	68
	"CONTRAST"	"1"–"10"	◀○	Permet d'ajuster le contraste de l'affichage.	—	
	"OPENING MSGE Edit"		1 s	Permet de définir le message d'accueil affiché à la mise sous tension.	SB	50
	"DEMO Mode"	"OFF"/"ON"	2 s	Spécifie si la démonstration doit être activée.	—	56
SOUND*1	"S-SET" "CABIN"	"Compact" etc.		Permet de sélectionner le type de voiture afin de compenser la différence de distance entre les différentes enceintes.	SB	57/68

Catégorie	Élément	Réglage	Entrée	Aperçu du réglage	Condition	Page
	"DTA"			Permet de réaliser un réglage fin de la valeur de compensation spécifiée au niveau de la Cabine.	SB	57/68
	"XOVER"			Permet de réaliser un réglage fin de la valeur du répartiteur au niveau de l'Enceinte.	SB	58
	"S-CTRL" "EQ"			Permet de définir la qualité sonore.	SB	58
	"POSIT"			Permet de compenser l'environnement sonore en fonction de la position d'écoute.	SB	58/59
	"LOUD"	"OFF"/"ON"		Permet de compenser les graves et les aigus à faible volume.	SB	
	"Preset"			Permet de pré-régler la valeur de réglage de la commande audio. La valeur de pré-réglage est conservée après la réinitialisation.	SB	59
DISP	"TYPE"	A/ B/ C/ D		Permet de définir le motif d'affichage.	—	46
	"GRAPH"	Analyseur de spectre 1-2		Permet de définir l'affichage de l'analyseur de spectre de type D.	D	
	"SIDE"	Icône texte/ Icône source/ OFF		Permet de définir l'affichage de l'icône latérale de type A/B.	A B	
	"TEXT"			Permet de définir l'affichage du texte.	A B C	47
Color*1				Permet de définir la couleur d'éclairage du Panneau.	illumi	48
P/MEM				Permet de pré-régler une station.	→	53
SCAN*3		"ON"/ —		Lorsqu'elle est réglée sur "ON", cette fonction permet de lire successivement le début des pistes du dossier.	AF2	
RDM		"ON"/ —		Lorsqu'elle est réglée sur "ON", cette fonction permet de lire dans un ordre aléatoire les pistes du dossier.	AF1	
FIREP		"ON"/ —		Lorsqu'elle est réglée sur "ON", cette fonction permet de lire les pistes de manière répétée.	AF1	
FoREP		"ON"/ —		Lorsqu'elle est réglée sur "ON", cette fonction permet de lire les pistes du dossier de manière répétée.	AF2	
SCAN		"ON"/ —		Lorsqu'elle est réglée sur "ON", cette fonction permet de lire successivement le début des pistes du disque.	DISC	
RDM		"ON"/ —		Lorsqu'elle est réglée sur "ON", cette fonction permet de lire dans un ordre aléatoire les pistes du disque.	DISC	
M.RDM		"ON"/ —		Lorsqu'elle est réglée sur "ON", cette fonction permet de lire dans un ordre aléatoire les pistes du changeur de disque.	CH	
T.REP		"ON"/ —		Lorsqu'elle est réglée sur "ON", cette fonction permet de lire les pistes de manière répétée.	DISC	
D.REP		"ON"/ —		Lorsqu'elle est réglée sur "ON", cette fonction permet de lire les pistes du disque de manière répétée.	CH	

* Réglage d'usine
*1 Fonction du DPX503.
*2 Fonction du DPX303.

L'élément affiché dépend du mode ou de la source actuellement sélectionnés. La marque située dans la colonne Condition indique la condition dans laquelle l'élément est affiché.

- SB** : Peut être réglé dans un état autre que veille.
- SB** : Peut être réglé en état de veille.
- AF1** : Peut être réglé avec une source de fichier audio du CD/USB/iPod.
- AF2** : Synchronisation pré-réglée CD/USB (pas avec un iPod).
- DISC** : Peut être réglé avec une source CD/ Changeur de disque.
- CH** : Peut être réglé avec la source Changeur de disque.
- FM** : Peut être réglé pendant la réception FM.
- HDR** : Peut être réglé avec la source Radio HD.
- SAT** : Peut être réglé avec la source Radio Satellitte.
- iPod** : Peut être réglé uniquement pendant la lecture de la source iPod. (Source USB utilisée lorsque l'iPod est connecté)

2ZONE : Peut être réglé pour les sources autres que la source veille en réglant "2 ZONE" dans <Réglage audio> (page 61) sur "ON".

illumi : Règle sur "OFF" les paramètres "LM MSC SYNC" et "AT COL CHG" du menu.

→ : Reportez-vous à la page de référence.

A-D : Peut être réglé lorsque le type spécifié est sélectionné pour le Type d'affichage.

— : Peut être réglé pendant les sources.



- Reportez-vous à la page respective pour savoir comment régler les éléments avec le numéro de page de référence.
- Seuls les éléments disponibles pour la source actuelle sont affichés.
- Les champs électriques puissants (comme les lignes électriques) peuvent causer une instabilité de la qualité sonore lorsque le système CRSC est activé. Dans ce type de situation, désactivez-le.

Page suivante ►

Commande de fonction

1 Entrer en mode de commande de fonction

Appuyez sur la touche [FNC].

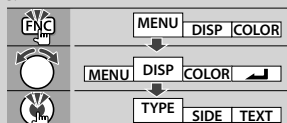
L'icône de fonction est affichée.

2 Sélectionner l'élément à régler

Type d'opération	Opération
Mouvement entre les éléments	Tournez la molette de commande.
Sélection de l'élément	Appuyez sur la molette de commande.
Retour à l'élément précédent	Appuyez sur la touche [FNC] ou sur l'icône "◀".

Répétez la sélection et la détermination jusqu'à ce que l'élément que vous voulez configurer soit sélectionné.

Exemple:



Dans ce manuel, la sélection ci-dessus est indiquée par

Sélectionnez "DISP" ➤ "TYPE".

3 Faire un réglage

Tournez la molette de commande pour sélectionner une valeur de réglage puis appuyez sur la molette de commande.

- La valeur des éléments accompagnés de la marque ◀○▶ peut être définie en poussant la molette de commande vers la droite ou la gauche.
- Certains éléments nécessitent que vous appuyiez sur la molette de commande pendant 1 ou 2 secondes pour pouvoir réaliser un réglage. Pour ces éléments, le temps de pression sur la molette de commande est affiché en secondes dans la colonne Entrée.
- Pour les fonctions accompagnées de la description de la procédure de réglage et ainsi de suite, les numéros des pages de référence sont affichés.

4 Quitter le mode de commande de fonction

Appuyez sur la touche [FNC] pendant au moins 1 seconde.



- *3 Emplacement lu avec "File Scan"
 - Fichier audio: 10 premières secondes
 - Support Music Editor: 10 premières secondes ou la partie sélectionnée par la fonction Intro Skip.Pendant l'activation d'Intro Skip, tournez la molette de commande de la gauche vers la droite pour changer de morceau.
- La méthode de balayage dépend des réglages de Music Editor. Reportez-vous à l'aide de Music Editor pour de plus amples détails.

Réglages de l'affichage

À propos du type d'affichage

Voici ci-dessous des exemples de types d'affichage.

Affichage	Type d'affichage
"TYPE [A]"	
"TYPE [B]"	
"TYPE [C]"	
"TYPE [D]"	

- ① Section d'affichage de texte
- ② Affichage de l'état
- ③ Section d'affichage d'icône
- ④ Affichage (varie en fonction de la source)
- ⑤ Affichage de l'horloge
- ⑥ Affichage de l'analyseur de spectre

Sélection de texte pour l'affichage

Vous pouvez changer l'affichage de texte.

En source tuner

Information	Affichage
SNPS	"SNPS"
Titre et nom de l'artiste* (FM)	"Title/Artist"/"TITLE/ART"
Nom de la station* (FM)	"Station Name"/"ST NAME"
Texte radio plus* (FM)	"Radio Text Plus"/"R-TEXT+"
Texte radio (FM)*	"Radio Text"/"R-TEXT"
Fréquence	"Frequency"/"FREQ"
Analyseur de spectre & Horloge	"Speana/Clock"/"SPEANA"
Date	"Date"/"DATE"
Vierge	"Blank"/"BLANK"

* Les informations relatives au texte radio plus sont affichées. (DPX503 uniquement)

En source CD et disque externe

Information	Affichage
Titre du disque	"Disc Title"/"D-TITLE"
Titre de la piste	"Track Title"/"T-TITLE"
Temps de lecture & Numéro de piste	"P-Time"/"P-TIME"
Nom du disque	"DNPS"
Analyseur de spectre & Horloge	"Speana/Clock"/"SPEANA"
Date	"Date"/"DATE"
Vierge	"Blank"/"BLANK"

En source de fichier audio

Information	Affichage
Titre du morceau & Nom d'artiste	"Title/Artist"/"TITLE"
Nom d'album & Nom d'artiste	"Album/Artist"/"ALBUM"
Nom du dossier	"Folder Name"/"FOLDER"
Nom du fichier	"File Name"/"FILE"
Temps de lecture & Numéro du morceau	"P-Time"/"P-TIME"
Analyseur de spectre & Horloge	"Speana/Clock"/"SPEANA"
Date	"Date"/"DATE"
Vierge	"Blank"/"BLANK"

En veille

Information	Affichage
Veille	"Source Name"/"SRC NAME"
Horloge	"Clock"/"CLOCK"
Date	"Date"/"DATE"
Vierge	"Blank"/"BLANK"

En source d'entrée auxiliaire

Information	Affichage
Nom de l'entrée auxiliaire	"Source Name"/"SRC NAME"
Analyseur de spectre & Horloge	"Speana/Clock"/"SPEANA"
Date	"Date"/"DATE"
Vierge	"Blank"/"BLANK"

En source radio HD (Optionnel)

Information	Affichage
Nom de la station	"Station Name"/"ST NAME"
Titre	"Title"/"TITLE"
Fréquence	"Frequency"/"FREQ"
Analyseur de spectre & Horloge	"Speana/Clock"/"SPEANA"
Date	"Date"/"DATE"
Vierge	"Blank"/"BLANK"

Dans la source SIRIUS/ SAT (Optionnel)

Information	Affichage
Nom de canal	"Channel Name"/"CH NAME"
Titre du morceau	"Song Title"/"SONG"
Nom de l'artiste	"Artist Name"/"ARTIST"
Nom du compositeur	"Composer Name"/"COMPOSER"
Nom de catégorie	"Category Name"/"CATEGORY"
Identification d'étiquette	"Label Name"/"LABEL"
Commentaire	"Comment"/"COMMENT"
Numéro de bande et de canal	"Channel Number"/"CH NUM"
Analyseur de spectre & Horloge	"Speana/Clock"/"SPEANA"
Date	"Date"/"DATE"
Vierge	"Blank"/"BLANK"

Dans la source XM (Optionnel)

Information	Affichage
Nom de canal	"CHANNEL NAME"/"CH NAME"
Titre	"TITLE"
Nom	"NAME"
Nom de catégorie	"CATEGORY"
Numéro de bande et de canal	"CHANNEL NUMBER"/"CH NUM"
Analyseur de spectre & Horloge	"Speana/Clock"/"SPEANA"
Date	"Date"/"DATE"
Vierge	"Blank"/"BLANK"

Réglages de l'affichage

1 Entrer en mode de sélection de texte d'affichage (Dans le Type d'affichage A/ B/ C) Sélectionnez "DISP" > "TEXT"

Pour savoir comment sélectionner un élément de commande de fonction, référez-vous à la section <Commande de fonction> (page 44).

2 Sélectionner la section d'affichage de texte Poussez la molette de commande vers le haut ou vers le bas.

La section d'affichage de texte sélectionnée clignote.

3 Sélectionner le texte

Tournez la molette de commande ou poussez-la vers la droite ou vers la gauche.

4 Quitter le mode de sélection de texte d'affichage

Appuyez sur la touche [FNC].



- Si l'élément affiché sélectionné ne possède aucune information, une information alternative s'affiche.
- Certains éléments ne peuvent pas être sélectionnés en fonction du type d'affichage et de la rangée.
- Lors de la sélection de "Folder Name" pendant la lecture sur iPod, les noms s'afficheront en fonction des éléments à parcourir sélectionnés en cours.
- Lorsque l'affichage de Type C est sélectionné, "Speana" apparaît à la place de "Speana/Clock".
- Vous ne pouvez sélectionner "Frequency" que sur la première ligne lors de la définition du texte.

Fonction du DPX503

Sélection de la couleur d'éclairage

Sélectionner la couleur d'éclairage du panneau.

1 Entrer en mode de sélection de la couleur d'éclairage Sélectionnez "Color"

Pour savoir comment sélectionner un élément de commande de fonction, référez-vous à la section <Commande de fonction> (page 44).

2 Sélectionner l'endroit où l'on souhaite définir la couleur d'éclairage

Endroit	Affichage
Partout	"All Color"
Affichage	"Display Color"
Touche	"Key Color"
Molette de volume	"Left Knob Color"
Molette de commande	"Right Knob Color"
Pour enregistrer et rappeler les couleurs d'éclairage que vous avez sélectionnées pour chaque endroit	"Color Preset"

Tournez la molette de commande et appuyez au centre lorsque l'élément souhaité est affiché.

3 Sélectionner la couleur d'éclairage

Tournez la molette de commande et appuyez au centre lorsque l'élément souhaité est affiché.

Sélectionnez la couleur parmi "Variable Scan"/ "Color1" — "Color 10"/ "User".

Création d'une couleur "User"

Vous pouvez créer votre propre couleur originale lors d'une sélection de "Color1" à "Color10". La couleur que vous avez créée peut être rappelée lorsque vous sélectionnez "User".

1. Appuyez sur la molette de commande pendant au moins 1 seconde.

Entrez en mode d'ajustement détaillé de la couleur.

2. Configurez la couleur.

Type d'opération	Opération
Pour sélectionner la couleur à régler. (rouge, vert ou bleu)	Poussez la molette de commande vers la droite ou vers la gauche.
Pour ajuster la couleur. (Gamme : 0 – 9)	Tournez la molette de commande ou poussez-la vers le haut ou vers le bas.

3. Appuyez sur la molette de commande.

Sortir du mode d'ajustement détaillé de la couleur.

4 Sortir du mode de sélection de couleur des touches

Appuyez sur la touche [FNC].



- Lorsque vous sélectionnez "PRESET", vous pouvez enregistrer la combinaison de couleurs d'éclairage sélectionnées pour chaque endroit. Pour savoir comment enregistrer les couleurs d'éclairage, reportez-vous à la section <Mémoire de pré-réglage des couleurs d'éclairage> (page 49).

Mémoire de pré réglage des couleurs d'éclairage

Enregistrer la combinaison de couleurs d'éclairage sélectionnées pour chaque endroit. La mémoire ne peut pas être effacée par la touche de réinitialisation.

1 Configurer la couleur d'éclairage pour chaque endroit

Reportez-vous à la section <Sélection de la couleur d'éclairage> (page 48).

2 Entrer en mode mémoire de pré réglage des couleurs d'éclairage

Sélectionnez "COLOR" > "PRESET" > "MEMO".

Pour savoir comment sélectionner un élément de commande de fonction, référez-vous à la section <Commande de fonction> (page 44).

3 Enregistrer dans la mémoire le pré réglage des couleurs d'éclairage

Appuyez sur la molette de commande.

"Memory?" s'affiche.

4 Tournez la molette de commande pour sélectionner "YES" puis appuyez sur la molette de commande.

"Memory Completed" s'affiche.

5 Sortir du mode mémoire de pré réglage des couleurs d'éclairage

Appuyez sur la touche [FNC].



- Enregistrez 1 paire de mémoires de pré réglage des couleurs d'éclairage.
- Lorsque vous appuyez sur la touche de réinitialisation, la valeur en mémoire sera la valeur par défaut du paramètre "Sélection de la couleur d'éclairage".

Rappel du pré réglage de la couleur d'éclairage

Rappeler la sélection que vous avez enregistrée dans le mode de pré réglage de la couleur d'éclairage.

1 Entrer en mode de rappel de pré réglage audio

Sélectionnez "COLOR" > "PRESET" > "RECALL". Pour savoir comment sélectionner un élément de commande de fonction, référez-vous à la section <Commande de fonction> (page 44).

2 Rappeler le pré réglage de la couleur d'éclairage

Appuyez sur la molette de commande.

"Recall?" s'affiche.

3 Tournez la molette de commande pour sélectionner "YES" puis appuyez sur la molette de commande.

"Recall Completed" s'affiche.

4 Sortir du mode de rappel du pré réglage de la couleur d'éclairage

Appuyez sur la touche [FNC].



- Lorsque vous rappelez un pré réglage de la couleur d'éclairage, les réglages actuels de la couleur d'éclairage sont remplacés par la sélection pré réglée.

Réglage de l'affichage d'entrée auxiliaire

Sélectionner l'affichage ci-dessous lors du changement de source d'entrée auxiliaire;

1 Sélectionner l'élément de réglage de l'écran de l'entrée auxiliaire dans le mode menu (Dans le mode AUX)

Sélectionnez l'affichage "Name Set".

Pour savoir comment sélectionner des éléments de commande de fonction, référez-vous à la section <Commande de fonction> (page 44).

2 Entrer en mode de réglage de l'affichage d'entrée auxiliaire

Appuyez sur la molette de commande pendant au moins 1 seconde.

L'affichage d'entrée auxiliaire actuellement sélectionné est affiché.

3 Sélectionner la source d'entrée auxiliaire

Tournez la molette de commande ou poussez-la vers le haut ou vers le bas.

"AUX"/"DVD"/"PORTABLE"/"GAME"/"VIDEO"/"TV"

4 Sortir du mode de réglage de l'affichage d'entrée auxiliaire

Appuyez sur la touche [FNC].



- Lorsque le fonctionnement s'arrête pendant 10 secondes, le nom en cours est enregistré et le mode de réglage de l'affichage d'entrée auxiliaire se ferme.
- L'affichage de l'entrée auxiliaire ne peut être activé que lorsque l'entrée auxiliaire intégrée ou l'entrée auxiliaire du KCA-S220A optionnel est utilisée. Sur le KCA-S220A s'affiche "AUX EXT" par défaut.

Réglages de l'affichage

Nommer une station/un disque (SNPS/DNPS)

Vous pouvez attribuer un nom à une station ou à un CD.

1 Recevoir/lire la station/le disque auquel vous voulez attribuer un nom

2 Sélectionner l'élément du mode de réglage de nom dans le menu mode

Sélectionnez l'affichage "Name Set".

Pour savoir comment sélectionner des éléments de commande de fonction, référez-vous à la section <Commande de fonction> (page 44).

3 Entrer en mode de définition du nom Appuyez sur la molette de commande pendant au moins 1 seconde.

4 Entrer le nom

Type d'opération	Opération
Mettre le curseur en position de saisie de caractère	Poussez la molette de commande vers la droite ou vers la gauche.
Sélectionner le type de caractère*	Appuyez sur la molette de commande.
Sélectionner les caractères	Tournez la molette de commande ou poussez-la vers le haut ou vers le bas.

* À chaque fois que la molette est enfoncée, le type de caractère change comme indiqué ci-dessous.

Type de caractère	Opération
Alphabet haut de casse	
Alphabet bas de casse	
Chiffres et symboles	
Caractères spéciaux (Caractères accentués)	



• Les caractères peuvent être saisis à l'aide d'une télécommande à touches numérotées. Exemple: Si l'on saisit "DANCE".

Caractère	"D"	"A"	"N"	"C"	"E"
Touche	[3] [▶▶] [2] [▶▶] [6] [▶▶] [2] [▶▶] [3]				
Nombre de pressions	1	1	2	3	2

5 Sortir du mode menu

Appuyez sur la touche [FNC].



- Il est impossible d'ajouter un titre à un support de fichier Audio.
- Lorsque l'opération est interrompue pendant 10 secondes, le nom alors présent est enregistré et le mode de définition de nom est fermé.
- Numéros de mémoire
 - FM/AM: 30 stations
 - Lecteur CD interne: 10 disques
 - Changeur/Lecteur de CD externe: Cela varie en fonction du changeur/lecteur de CD. Reportez-vous au manuel du changeur/lecteur de CD.

- Le titre de la station/du CD peut être changé en suivant la même procédure que pour le nommer.

Édition du message d'accueil

Définir le message d'accueil affiché à la mise sous tension.

1 Sélectionnez l'élément édition du message d'accueil dans le mode Menu

Sélectionnez "OPENING MSG Edit".

Pour savoir comment sélectionner des éléments de commande de fonction, référez-vous à la section <Commande de fonction> (page 44).

2 Entrer en mode édition du message d'accueil Appuyez sur la molette de commande pendant au moins 1 seconde.

3 Saisir les caractères

Type d'opération	Opération
Mettre le curseur en position de saisie de caractère	Poussez la molette de commande vers la droite ou vers la gauche.
Sélectionner le type de caractère*	Appuyez sur la molette de commande.
Sélectionner les caractères	Tournez la molette de commande ou poussez-la vers le haut ou vers le bas.

* À chaque fois que la molette est enfoncée, le type de caractère change comme indiqué ci-dessous.

Type de caractère	Opération
Alphabet haut de casse	
Alphabet bas de casse	
Chiffres et symboles	

4 Appuyez sur la molette de commande pendant au moins 2 secondes.

"Completed" s'affiche.

5 Sortir du mode menu

Appuyez sur la touche [FNC].



- Le message d'accueil peut comprendre jusqu'à 8 caractères.

Fonctionnement des disques audio/fichiers audio

Fonction de source fichier audio/CD interne

Sélection d'un morceau

Pour sélectionner les morceaux que vous souhaitez écouter et qui se trouvent sur le périphérique ou sur le support en cours d'utilisation.

1 Entrer en mode de sélection de morceau

Tournez la molette de commande.

La liste de morceaux est affichée.

2 Rechercher un morceau

Sélectionnez un élément de catégorie à l'aide de la molette de commande.

Source iPod (lorsque l'élément "iPod Mode" est réglé sur "ON") (Fonction du DPX503)

Type d'opération	Opération
Mouvement entre les éléments	Tournez la molette de commande.
Sélection de l'élément	Appuyez sur la molette de commande.
Retour à l'élément précédent	Poussez la molette de commande vers le haut.
Retour au premier élément	Appuyez sur la molette de commande vers le haut pendant au moins 1 seconde.

Autre source

Fichier audio (y-compris la source lorsque l'élément "iPod Mode" est réglé sur "OFF")

Type d'opération	Opération
Mouvement entre les éléments	Tournez la molette de commande ou poussez-la vers le haut ou vers le bas.
Sélection de l'élément	Poussez la molette de commande vers la droite.
Retour à l'élément précédent	Poussez la molette de commande vers la gauche.
Retour au premier élément	Appuyez sur la molette de commande vers la gauche pendant au moins 1 seconde.

Source CD interne

Type d'opération	Opération
Déplacement entre les pistes	Tournez la molette de commande ou poussez-la vers le haut ou vers le bas.
Sélection de piste	Appuyez sur la molette de commande.
Retour à la première piste	Appuyez sur la molette de commande vers la gauche pendant au moins 1 seconde.

Le symbole "◀" ou "▶" qui se trouve à côté de l'élément affiché indique que cet élément est précédé ou suivi d'un autre élément.

Si vous sélectionnez un morceau, celui-ci sera reproduit depuis le début.

Annuler la sélection de morceaux

Appuyez sur la touche [FNC].



- La sélection de morceaux ne peut pas être exécutée pendant la lecture aléatoire.
- Réglez le mode iPod dans "MENU" > "iPod Mode" de la section <Commande de fonction> (page 44).

Fonction de la télécommande

Recherche directe d'un morceau

Recherche la musique en saisissant le numéro de piste.

1 Entrer le numéro du morceau

Appuyez sur les touches numérotées de la télécommande.

2 Recherche la musique

Appuyez sur la touche [◀◀] ou [▶▶].

Annulation de la recherche directe d'un morceau

Appuyez sur la touche [▶▶].



- La recherche directe de morceau ne peut pas être exécutée pendant la lecture d'un iPod, d'un support "Music Editor", pendant la lecture aléatoire et pendant la lecture par balayage.

Fonction de changeurs de disques avec télécommande

Recherche directe de disque

Recherche le disque en saisissant le numéro du disque.

1 Entrer le numéro de disque

Appuyez sur les touches numérotées de la télécommande.

2 Recherche d'un disque

Appuyez sur la touche [FM] ou [AM].

Annulation d'une recherche directe de disque

Appuyez sur la touche [▶▶].



- La recherche de disque directe ne peut être exécutée pendant la lecture aléatoire ou la lecture par balayage.

Fonctionnement des disques audio/fichiers audio

Fonctionnement de base du changeur de disque (Optionnel)

Sélectionner la source du changeur de CD

Appuyez sur la touche [SRC].

Sélectionnez l'affichage "CD Changer".

Pour savoir comment sélectionner la source, reportez-vous à la section <Touche d'alimentation/Sélection de la source> du Chapitre <Fonctionnement basique> (page 42).

Rechercher un morceau

Poussez la molette de commande vers la droite ou vers la gauche.

Recherche de disque

Poussez la molette de commande vers le haut ou vers le bas.

Lecture répétée de la chanson ou du disque en cours. (Répéter la lecture)

Appuyez sur la touche [4].

Appuyer sur la touche de manière répétée sélectionne la lecture répétée d'une piste sur ("Track Repeat ON"), d'un disque sur ("Disc Repeat ON"), et désactive la répétition ("Repeat OFF") séquentiellement.

Lit de façon aléatoire la musique contenue dans le changeur de disque. (Lecture aléatoire des titres en magasin)

Appuyer sur la touche [6].

Appuyer sur la touche bascule le réglage entre l'activation de la lecture aléatoire du magasin ("Magazine RDM ON") et sa désactivation ("Magazine RDM OFF").

Fonctionnement du tuner

Mémoire de pré réglage des stations

Vous pouvez mettre une station en mémoire.

- 1 Sélectionner la fréquence à mettre en mémoire**
Poussez la molette de commande vers la droite ou vers la gauche.
- 2 Entrer en mode de pré réglage en mémoire**
Sélectionnez "P.MEM".
Pour savoir comment sélectionner un élément de commande de fonction, référez-vous à la section <Commande de fonction> (page 44).
- 3 Sélectionner le numéro à mettre en mémoire**
Tournez la molette de commande.
- 4 Déterminer le numéro à mettre en mémoire**
Appuyez sur la molette de commande.
- 5 Attendre le temps nécessaire pour que le numéro déterminé prenne effet**
Appuyez sur la molette de commande.

Pour annuler le mode de pré réglage en mémoire

Appuyez sur la touche [FNC].



- Cette fonction peut être utilisée à l'aide des touches [1] — [6].
Reportez-vous à la section <Fonctionnement basique> (page 42).

Syntonisation pré réglée

Vous pouvez rappeler les stations mises en mémoire.

- 1 Entrer en mode de sélection du pré réglage de syntonisation**
Tournez la molette de commande.
Une liste de stations est affichée.
- 2 Sélectionner une station souhaitée dans la mémoire**
Tournez la molette de commande.
- 3 Rappeler la station**
Appuyez sur la molette de commande.

Annuler la syntonisation pré réglée

Appuyez sur la touche [FNC].



- Cette fonction peut être utilisée à l'aide des touches [1] — [6].
Reportez-vous à la section <Fonctionnement basique> (page 42).

Fonction de la télécommande

Syntonisation à accès direct

Vous pouvez entrer la fréquence et syntoniser.

- 1 Entrer en mode de syntonisation à accès direct**
Appuyez sur la touche [DIRECT] de la télécommande.
"----" est affiché.
- 2 Saisir la fréquence**
Appuyez sur les touches numérotées de la télécommande.
Exemple:

Fréquence souhaitée	Appuyez sur la touche
92,1 MHz (FM)	[0], [9], [2], [1]
810 kHz (AM)	[0], [8], [1], [0]

Annulation de la syntonisation à accès direct

Appuyez sur la touche [DIRECT] de la télécommande.



- L'entrée de fréquences de bande FM se fait par étapes de 0,1 MHz minimum.

Fonctionnement du tuner

Fonction du DPX503

PTY (Type de Programme)

Sélection du type de programme ci-dessous et recherche d'une station.

Type de programme	Affichage	Type de programme	Affichage
Discours	"All Speech"	Jazz	"Jazz"
Musique	"All Music"	Musique classique	"Classical"
Informations	"News"	R & B	"Rhythm & Blues"
Information	"Information"	R & B douce	"Soft R & B"
Sport	"Sports"	Langue	"Foreign Language"
Conversation	"Talk"	Musique religieuse	"Religious Music"
Rock	"Rock"	Discours religieux	"Religious Talk"
Rock classique	"Classic Rock"	Personnalités	"Personality"
Hits adultes	"Adult Hits"	Public	"Public"
Soft Rock	"Soft Rock"	Université	"College"
Top 40	"Top 40"	Météo	"Weather"
Musique Country	"Country"		
Musique Rétro	"Oldies"		
Musique douce	"Soft"		
Musique nostalgique	"Nostalgia"		

- Discours et Musique incluent les types de programmes ci-dessous.
Musique: Élément en caractères noirs.
Discours: Élément en caractères blancs.

1 Entrer en mode PTY

Appuyez sur la molette de commande.

"PTY Select" est affiché.

2 Sélectionner le type de programme

Tournez la molette de commande ou poussez-la vers le haut ou vers le bas.

3 Rechercher la station du type de programme sélectionné

Poussez la molette de commande vers la droite ou vers la gauche.

4 Sortir du mode PTY

Appuyez sur la molette de commande.



- Cette fonction ne peut pas être utilisée pendant un bulletin d'informations routières ou une réception AM.
- Lorsque le type de programme sélectionné n'est pas trouvé, "No PTY" s'affiche. Sélectionnez un autre type de programme.

Fonction du DPX503

Préréglage du type de programme

Vous pouvez mettre le type de programme dans la mémoire des touches préréglées et le rappeler rapidement.

Préréglage du type de programme

1 Sélectionner le type de programme à préréglé

Reportez-vous à la section <PTY (Type de Programme)> (page 54).

2 Préréglage du type de programme

Appuyez sur la touche [1] — [6] de votre choix pendant au moins 2 secondes.

Rappel du type de programme préréglé

1 Entrer en mode PTY

Reportez-vous à la section <PTY (Type de Programme)> (page 54).

2 Rappeler le type de programme

Appuyez sur la touche souhaitée [1] — [6].

Fonction du DPX503

Enregistrement d'une station comme PTY

Vous pouvez enregistrer un type de programme pour des stations n'ayant pas de données PTY.

1 Capter la station que vous désirez enregistrer

2 Sélectionner le type de programme à enregistrer

Reportez-vous à la section <PTY (Type de Programme)> (page 54).

3 Enregistrer le type de programme

Appuyez sur la touche [AUTO] pendant au moins 2 secondes.

Confirmation du type de programme

Appuyez sur la touche [AUTO].

Le type de programme est affiché pendant 3 secondes.

4 Sortir du mode PTY

Appuyez sur la molette de commande.

Autres fonctions

Activation du code de sécurité



- Vous pouvez définir le code de sécurité avec un numéro à 4 chiffres de votre choix.
- Le code de sécurité ne peut pas être affiché ou indiqué. Notez le code de sécurité et conservez-le dans un endroit sûr.

1 Sélectionner l'élément du code de sécurité pendant le mode menu (En mode de veille)

"Security Set" est affiché.

Pour savoir comment sélectionner des éléments de commande de fonction, référez-vous à la section <Commande de fonction> (page 44).

2 Entrer en mode code de sécurité Appuyez sur la molette de commande pendant au moins 1 seconde.

Lorsque "Enter" s'affiche, "SECURITY SET" s'affiche également.

3 Saisir le code de sécurité

Type d'opération	Opération
Sélectionner les chiffres à saisir	Poussez la molette de commande vers la droite ou vers la gauche.
Sélectionner les numéros du code de sécurité	Tournez la molette de commande ou poussez-la vers le haut ou vers le bas.

4 Confirmer le code de sécurité

Appuyez sur la molette de commande pendant au moins 3 secondes.

Lorsque "Re-Enter" s'affiche, "SECURITY SET" s'affiche également.

5 Effectuez les opérations des étapes 3 à 4 et saisissez à nouveau le code de sécurité.

"Approved" s'affiche.

La fonction code de sécurité est activée.



- Lorsqu'un code erroné est saisi aux étapes 3 à 4, répétez la procédure depuis l'étape 3.

6 Sortez du mode de code de sécurité Appuyez sur la touche [FNC].

Saisir le code de sécurité

Le code de sécurité est nécessaire lorsque l'autoradio est utilisé pour la première fois après avoir été retiré de la source d'alimentation de la batterie ou lorsque la touche réinitialisation est enfoncée .

1 Allumez l'appareil.

2 Effectuez les opérations des étapes 3 à 4 et entrez le code de sécurité.

"Approved" s'affiche.

Vous pouvez à présent utiliser l'appareil.

Désactivation du code de sécurité

Pour désactiver la fonction de code de sécurité.

1 Sélectionner l'élément du code de sécurité pendant le mode menu (En mode de veille)

Sélectionnez l'affichage "Security Clear".

Pour savoir comment sélectionner des éléments de commande de fonction, référez-vous à la section <Commande de fonction> (page 44).

2 Entrer en mode code de sécurité Appuyez sur la molette de commande pendant au moins 1 seconde.

Lorsque "Enter" s'affiche, "SECURITY CLEAR" s'affiche également.

3 Saisir le code de sécurité

Type d'opération	Opération
Sélectionner les chiffres à saisir	Poussez la molette de commande vers la droite ou vers la gauche.
Sélectionner les numéros du code de sécurité	Tournez la molette de commande ou poussez-la vers le haut ou vers le bas.

4 Appuyez sur la molette de commande pendant au moins 3 secondes.

"Clear" s'affiche.

La fonction code de sécurité est désactivée.

5 Sortez du mode de code de sécurité Appuyez sur la touche [FNC].



- Si un code de sécurité incorrect est entré, "Error" s'affiche. Entrez un code de sécurité correct.

Autres fonctions

Réglage manuel de l'horloge

1 Sélectionner le réglage de l'horloge dans le mode menu

Sélectionner l'affichage "Clock Adjust".

Pour savoir comment sélectionner des éléments de commande de fonction, référez-vous à la section <Commande de fonction> (page 44).

2 Entrer en mode de réglage de l'horloge Appuyez sur la molette de commande pendant au moins 1 seconde.

L'affichage de l'horloge clignote.

3 Réglage de l'horloge

Type d'opération	Opération
Sélectionner l'élément (heures ou minutes)	Poussez la molette de commande vers la droite ou vers la gauche.
Régler chaque élément	Tournez la molette de commande ou poussez-la vers le haut ou vers le bas.

4 Sortir du mode de réglage de l'horloge

Appuyez sur la touche [FNC].



- Vous pouvez réaliser cet ajustement lorsque l'élément "MENU" > "SYNC" de la section <Commande de fonction> (page 44) est réglé sur "OFF". (DPX503 uniquement)

Réglage de la date

1 Sélectionner le réglage de la date dans le mode menu

Sélectionnez l'affichage "Date Adjust".

Pour savoir comment sélectionner des éléments de commande de fonction, référez-vous à la section <Commande de fonction> (page 44).

2 Entrer en mode de réglage de la date Appuyez sur la molette de commande pendant au moins 1 seconde.

L'affichage de la date clignote.

3 Régler la date

Type d'opération	Opération
Sélectionner l'élément (mois, jour ou année)	Poussez la molette de commande vers la droite ou vers la gauche.
Régler chaque élément	Tournez la molette de commande ou poussez-la vers le haut ou vers le bas.

4 Sortir du mode de réglage de la date

Appuyez sur la touche [FNC].

Réglage du mode de démonstration

Activation/désactivation du mode démonstration.

1 Sélectionner l'élément du mode démonstration dans le menu mode

Sélectionnez l'affichage "DEMO Mode".

Pour savoir comment sélectionner des éléments de commande de fonction, référez-vous à la section <Commande de fonction> (page 44).

2 Régler le mode de démonstration Appuyez sur la molette de commande pendant au moins 2 secondes.

Appuyer sur cette touche pendant 2 secondes ou plus bascule le réglage entre "ON" et "OFF".

3 Sortir du mode démonstration

Appuyez sur la touche [FNC].

Réglages audio

Fonction du DPX503

Sélection de la cabine

Vous pouvez compenser le délai d'arrivée du son causé par la position d'installation des enceintes en sélectionnant votre environnement parmi les types de véhicules suivants;

Type de véhicule (position des enceintes arrières)	Affichage
Pas de compensation.	"OFF"
Voiture compacte (portière arrière)	"Compact1"
Voiture compacte (coffre)	"Compact2"
Grosse voiture (portière arrière)	"Full Size Car1"
Grosse voiture (coffre)	"Full Size Car2"
Familiale (portière arrière)	"Wagon1"
Familiale (coffre)	"Wagon2"
Fourgonnette (portière arrière)	"Minivan1"
Fourgonnette (coffre)	"Minivan2"
Véhicule utilitaire sport (portière arrière)	"SUV1"
Véhicule utilitaire sport (coffre)	"SUV2"
Fourgonnette longue (portière arrière)	"Minivan(Long)1"
Fourgonnette longue (coffre)	"Minivan(Long)2"
Permet de rappeler la valeur réglée pour la fonction <DTA> (page 57).	"User"

1 Entrer en mode de sélection de la cabine

Sélectionnez "SOUND" > "S-SET" > "CABIN".

Pour savoir comment sélectionner un élément de commande de fonction, référez-vous à la section <Commande de fonction> (page 44).

2 Sélectionner le type de véhicule

Tournez la molette de commande et appuyez au centre lorsque l'élément souhaité est affiché.

3 Sortir du mode de sélection de la cabine

Appuyez sur la touche [FNC].



- Vous pouvez compenser les distances de manière plus précise en utilisant la fonction <DTA> (page 57). De plus, la valeur spécifiée pour la fonction <DTA> peut être rappelée en sélectionnant "User".

Fonction du DPX503

Réglage de la fonction DTA (Digital Time Alignment ou Alignement chronologique numérique)

Ajuster le réglage fin de la valeur de compensation de position des enceintes spécifiée à la section <Sélection de la cabine> (page 57).

1 Entrer en mode de réglage DTA

Sélectionnez "SOUND" > "S-SET" > "DTA".

Pour savoir comment sélectionner un élément de commande de fonction, référez-vous à la section <Commande de fonction> (page 44).

2 Sélectionner l'enceinte à régler

Enceinte à régler	Affichage
Enceinte avant	"DTA-Front"
Enceinte arrière	"DTA-Rear"
Subwoofer	"DTA-Sub"

Tournez la molette de commande et appuyez au centre lorsque l'élément souhaité est affiché.

3 Régler la valeur de compensation de position de l'enceinte

Tournez la molette de commande.

Choisissez un réglage entre 0 et 14,44 pieds. Reportez-vous à la section <Annexe> (page 68) pour savoir comment régler la valeur de compensation.

4 Sortir du mode de réglage DTA

Appuyez sur la touche [FNC].

Réglages audio

Fonction du DPX503

Réglage du répartiteur

Vous pouvez régler la valeur du répartiteur pour les enceintes;

Élément de réglage	Affichage	Gamme
Filtre passe-haut avant	"HPF-Front"	Aucun/40/60/80/100/120/150/180/220 Hz
Filtre passe-haut arrière	"HPF-Rear"	Aucun/40/60/80/100/120/150/180/220 Hz
Filtre passe bas	"LPF"	50/60/80/100/120/Aucun Hz
Niveau subwoofer	"SUB-W LEVEL"	-15 — +15
Phase du subwoofer	"SW PHASE"	Inverse (180°)/ Normal (0°)

1 Entrer en mode de réglage du répartiteur

Sélectionnez "SOUND" > "S-SET" > "XOVER".

Pour savoir comment sélectionner un élément de commande de fonction, référez-vous à la section <Commande de fonction> (page 44).

2 Sélectionner l'élément à régler

Tournez la molette de commande et appuyez au centre lorsque l'élément souhaité est affiché.

3 Régler la valeur du répartiteur

Tournez la molette de commande.

4 Sortir du mode de réglage du répartiteur

Appuyez sur la touche [FNC].

Fonction du DPX503

Commande de l'égaliseur

Vous pouvez régler les éléments de commande de l'égaliseur suivants;

Élément de réglage	Affichage	Gamme
Système Q	"Preset EQ"	"NATURAL" (Naturel)/"USER" (Réglage utilisateur setting)/"ROCK" (Rock)/"POPS" (Pop)/"EASY" (Ambiance)/"TOP40" (Top 40)/"JAZZ" (Jazz)/"GAME" (Jeu)
Niveau des graves*	"Bass"	-8 — +8
Niveau des fréquences moyennes*	"Middle"	-8 — +8
Niveau des aigus*	"Treble"	-8 — +8

* Mémoire de tonalité source: La valeur configurée est mise en mémoire par source.



• "USER": les derniers réglages de graves, fréquences moyennes et aigus sont automatiquement activés.

1 Entrer en mode de commande de l'égaliseur

Sélectionnez "SOUND" > "S-CTRL" > "EQ".

Pour savoir comment sélectionner un élément de commande de fonction, référez-vous à la section <Commande de fonction> (page 44).

2 Sélectionner l'élément à régler

Tournez la molette de commande.

3 Définir la valeur

Tournez la molette de commande.

4 Sortir du mode de commande de l'égaliseur

Appuyez sur la touche [FNC].

Fonction du DPX503

Sélection de la position prééglée

En fonction de la position d'écoute, sélectionnez la position parmi les réglages suivants de sorte que la position normale de l'environnement d'écoute puisse être compensée en fonction de la position sélectionnée;

Siège de compensation	Gamme
Pas de compensation.	"All"
Siège avant gauche	"FrontLeft"
Siège avant droit	"FrontRight"
Siège avant	"FrontAll"
Permet de rappeler la valeur réglée pour le <Réglage manuel de la position> (page 59).	"USER"

1 Entrer en mode de réglage de la position

Sélectionnez "SOUND" > "S-CTRL" > "POSIT" > "P-POS!".

Pour savoir comment sélectionner un élément de commande de fonction, référez-vous à la section <Commande de fonction> (page 44).

2 Sélectionner le siège à compenser

Tournez la molette de commande.

3 Sortir du mode de réglage de la position

Appuyez sur la touche [FNC].

Réglage manuel de la position

Réaliser un réglage fin de la valeur spécifiée pour la sélection de la position pré-réglée pour chaque enceinte.

1 Entrer en mode de réglage de la position

Sélectionnez "SOUND" > "S-CTRL" > "POSIT" > "M-POSI".

Pour savoir comment sélectionner un élément de commande de fonction, référez-vous à la section <Commande de fonction> (page 44).

2 Sélectionner l'enceinte à ajuster

Élément	Aperçu du réglage
"Front Lch"	Enceinte avant gauche
"Front Rch"	Enceinte avant droite
"Rear Lch"	Enceinte arrière gauche
"Rear Rch"	Enceinte arrière droite
"Sub Lch"	Subwoofer gauche
"Sub Rch"	Subwoofer droit

Tournez la molette de commande et appuyez au centre lorsque l'élément souhaité est affiché.

3 Ajuster l'enceinte

Tournez la molette de commande.

Choisissez un réglage entre 0 et 5,58 pieds.

4 Sortir du mode de réglage de la position

Appuyez sur la touche [FNC].



- Lorsque vous sélectionnez "USER" à la section <Sélection de la position pré-réglée> (page 58), la valeur ajustée est rappelée.

Mémoire de pré-réglage audio

Enregistrement de la configuration de valeur par la commande du son. La mémoire ne peut pas être effacée par la touche de réinitialisation.

1 Configuration de la commande du son

Reportez-vous aux opérations suivantes pour configurer la commande du son.

- Sélection de la cabine (page 57)
- Réglage de la fonction DTA (Digital Time Alignment ou Alignement chronologique numérique) (page 57)
- Réglage du répartiteur (page 58)
- Commande de l'égaliseur (page 58)
- Sélection de la position pré-réglée (page 58)
- Réglage manuel de la position (page 59)

2 Entrer en mode de mémorisation de pré-réglage audio

Sélectionnez "SOUND" > "PRESET" > "MEMO".

Pour savoir comment sélectionner un élément de commande de fonction, référez-vous à la section <Commande de fonction> (page 44).

3 Enregistrer le pré-réglage audio dans la mémoire

Appuyez sur la molette de commande.

"Memory?" s'affiche.

4 Tournez la molette de commande pour sélectionner "YES" puis appuyez sur la molette de commande.

"Memory Completed" s'affiche.

5 Sortir du mode de présélection audio

Appuyez sur la touche [FNC].



- Enregistrez 1 paire de mémoires de pré-réglage audio. Vous ne pouvez pas enregistrer par la source.
- Lorsque vous appuyez sur la réinitialisation, toutes les sources deviennent la valeur qui a été enregistrée.

Réglages audio

Fonction du DPX503

Rappel de préréglage audio

Vous pouvez rappeler le réglage sonore enregistré par la <Mémoire de préréglage audio> (page 62).

1 Sélectionner la source

Pour savoir comment sélectionner la source, reportez-vous à la section <Touche d'alimentation/Sélection de la source> du Chapitre <Fonctionnement basique> (page 42).

2 Entrer en mode de rappel de préréglage audio

Sélectionnez "SOUND" > "PRESET" > "RECALL". Pour savoir comment sélectionner un élément de commande de fonction, référez-vous à la section <Commande de fonction> (page 44).

3 Rappeler le préréglage audio

Appuyez sur la molette de commande.

"Recall?" s'affiche.

4 Tournez la molette de commande pour sélectionner "YES" puis appuyez sur la molette de commande.

"Recall Completed" s'affiche.

5 Sortir du mode de rappel de préréglage audio

Appuyez sur la touche [FNC].



- La mémoire utilisateur du "SYSTEM Q" dans <Commande de l'égaliseur> (page 58) devient la valeur qui a été rappelée.
- L'élément de mémoire de tonalité de source de <Commande de l'égaliseur> (page 58) devient la valeur qui a été rappelée par la source sélectionnée.

Commande du son

Vous pouvez régler les éléments de commande audio suivants;

Élément de réglage	Affichage	Gamme
Volume arrière	"REAR VOLUME"	0 — 35
Niveau subwoofer*	"SUB-W LEVEL"	-15 — +15
Système Q*	"NATURAL"/ "USER"/"ROCK"/ "POPS"/"EASY"/ "TOP40"/"JAZZ"/ "GAME"	Naturel/Réglage utilisateur setting/Rock/ Pop/Ambiance/Top 40/ Jazz/Jeux
Niveau des graves*	"BASS LEVEL"	-8 — +8
Niveau des fréquences moyennes*	"MIDDLE LEVEL"	-8 — +8
Niveau des aigus*	"TREBLE LEVEL"	-8 — +8
Balance	"BALANCE"	Gauche 15 — Droite 15
Balance avant/arrière	"FADER"	Arrière 15 — Avant 15

Sortez du mode de commande du son (mode de contrôle du volume)

*Fonction du DPX303.



- Mémoire de tonalité source: Pour chaque source, vous pouvez régler les fréquences graves, moyennes et aiguës.
- "USER": les derniers réglages de graves, fréquences moyennes et aigus sont automatiquement activés.

1 Sélectionner la source à régler

Pour savoir comment sélectionner la source, reportez-vous à la section <Touche d'alimentation/Sélection de la source> du Chapitre <Fonctionnement basique> (page 42).

2 Entrer en mode de commande du son Appuyez sur la molette [AUD].

3 Sélectionnez l'élément audio à régler Appuyez sur la molette [AUD].

4 Réglez l'élément audio Tournez la molette [AUD].

5 Sortez du mode de commande du son Appuyez sur n'importe quelle touche.

Appuyez sur une touche autre que la molette [AUD] ou les touches [▲] et [ATT].

Réglage audio

Vous pouvez régler le système audio, comme suit:

Élément de réglage	Affichage	Gamme
Filtre passe-haut avant*	"HPF-F"	Aucun/40/60/80/100/120/150/180/220 Hz
Filtre passe-haut arrière*	"HPF-R"	Aucun/40/60/80/100/120/150/180/220 Hz
Filtre passe bas*	"LPF"	50/60/80/100/120/Aucun Hz
Phase du subwoofer*	"SW PHASE"	Inverse (180°)/ Normal (0°)
Compensation du volume	"VOL-OFFSET"	-8 — ±0 (AUX : -8 — +8)
Contour*	"LOUD"	Désactivé/Activé
Système double zone	"2 ZONE"	Désactivé/Activé

*Fonction du DPX303.



- Compensation du volume: Le volume de chaque source peut être réglé différemment du volume de base.
- Contour: Compense les graves et les aigus lorsque le volume est bas. (Seules les graves sont compensées lorsque le syntoniseur est sélectionné en tant que source.)
- Système double zone
La source principale et la source secondaire (entrée auxiliaire) génèrent le canal avant et le canal arrière séparément.
 - Réglez le canal de la source secondaire sur "Zone2" dans la section <Commande de fonction> (page 44).
 - La source principale est sélectionnée par la touche [SRC].
 - Le volume du canal avant est réglé par la molette [AUD].
 - Le volume du canal arrière est réglé à l'aide de la <Commande du son> (page 60) ou de la touche [▲]/[▼] de la télécommande (page 65).
 - La commande audio n'a pas d'effet sur la source auxiliaire.

1 Sélectionner la source à régler

Pour savoir comment sélectionner la source, reportez-vous à la section <Touche d'alimentation/Sélection de la source> du Chapitre <Fonctionnement basique> (page 42).

2 Entrer en mode de configuration du son

Appuyez sur la molette [AUD] pendant au moins 1 seconde.

3 Sélectionner l'élément de configuration du son à régler

Appuyez sur la molette [AUD].

4 Régler l'élément de configuration du son

Tournez la molette [AUD].

5 Sortir du mode de configuration du son

Appuyez sur la molette [AUD] pendant au moins 1 seconde.

Réglage des enceintes

Syntonisation de manière à optimiser la valeur du Système Q lors du réglage de l'enceinte comme suit:

Type d'enceinte	Affichage
Désactivée	"OFF"
Pour enceinte 5 & 4 pouces	"5/4inch"
Pour enceinte 6 & 6x9 pouces	"6x9/6inch"
Pour enceinte OEM	"O.E.M."

1 Entrer en Veille

Sélectionnez l'affichage "STANDBY".
Pour savoir comment sélectionner la source, reportez-vous à la section <Touche d'alimentation/Sélection de la source> du Chapitre <Fonctionnement basique> (page 42).

2 Entrer en mode de réglage des enceintes

Appuyez sur la molette [AUD].

"SP SEL" s'affiche.

3 Sélectionner le type d'enceinte

Tournez la molette [AUD].

4 Sortir du mode de réglage des enceintes

Appuyez sur la molette [AUD].

Réglages audio

Fonction du DPX303

Mémoire de pré réglage audio

Enregistrement de la configuration de valeur par la commande du son. La mémoire ne peut pas être effacée par la touche de réinitialisation.

1 Configuration de la commande du son

Reportez-vous aux opérations suivantes pour configurer la commande du son.
- <Commande du son> (page 60)
- <Réglage audio> (page 61)

2 Sélectionner l'élément de pré réglage audio dans le mode menu (Autre mode que Veille)

Sélectionnez l'affichage "Audio Preset".
Pour savoir comment sélectionner des éléments de commande de fonction, référez-vous à la section <Commande de fonction> (page 44).

3 Entrer en mode de pré réglage audio

Appuyez sur la molette de commande pendant au moins 1 seconde.

4 Sélectionner la mémoire de pré réglage audio

Tournez la molette de commande.

Sélectionnez l'affichage "Memory".

5 Déterminer s'il faut mettre le pré réglage audio en mémoire

Appuyez sur la molette de commande.
"Memory?" s'affiche.

6 Enregistrer le pré réglage audio dans la mémoire

Tournez la molette de commande pour sélectionner "YES" puis appuyez sur la molette de commande.

"Memory Completed" s'affiche.

7 Sortir du mode de présélection audio

Appuyez sur la touche [FNC].



- Enregistrez 1 paire de mémoires de pré réglage audio. Vous ne pouvez pas enregistrer par la source.
- Lorsque vous appuyez sur la réinitialisation, toutes les sources deviennent la valeur qui a été enregistrée.
- Les éléments suivants ne peuvent pas être enregistrés. Volume, Balance, Balance avant/arrière, Contour, Compensation du volume, Système Double zone, Volume arrière

Fonction du DPX303

Rappel de pré réglage audio

Vous pouvez rappeler le réglage sonore enregistré par la <Mémoire de pré réglage audio> (page 62).

1 Sélectionner la source

Pour savoir comment sélectionner la source, reportez-vous à la section <Touche d'alimentation/Sélection de la source> du Chapitre <Fonctionnement basique> (page 42).

2 Sélectionner l'élément de pré réglage audio dans le mode menu (Autre mode que Veille)

Sélectionnez l'affichage "Audio Preset".
Pour savoir comment sélectionner des éléments de commande de fonction, référez-vous à la section <Commande de fonction> (page 44).

3 Entrer en mode de pré réglage audio

Appuyez sur la molette de commande pendant au moins 1 seconde.

4 Sélectionner le rappel de pré réglage audio

Tournez la molette de commande.
Sélectionnez l'affichage "Recall".

5 Déterminer s'il faut rappeler le pré réglage audio

Appuyez sur la molette de commande.
"Recall?" s'affiche.

6 Rappeler le pré réglage audio

Tournez la molette de commande pour sélectionner "YES" puis appuyez sur la molette de commande.

"Recall Completed" s'affiche.

7 Sortir du mode de présélection audio

Appuyez sur la touche [FNC].



- La mémoire utilisateur du "SYSTEM Q" dans <Commande du son> (page 60) devient la valeur qui a été rappelée.
- L'élément de mémoire de tonalité de source de <Commande du son> (page 60) devient la valeur qui a été rappelée par la source sélectionnée.

Commande du tuner Satellite Radio (Optionnel)

Fonctionnement basique

Sélectionner la source Satellite Radio

Appuyez sur la touche [SRC].

Sélectionnez l'affichage "SAT"/"SIRIUS"/"XM".

Pour savoir comment sélectionner la source, reportez-vous à la section <Touche d'alimentation/Sélection de la source> du Chapitre <Fonctionnement basique> (page 42).



- Il vous faut vous inscrire auprès du fournisseur de service afin de pouvoir recevoir la radio satellite. Consultez le fournisseur du service si la mention "CALL ... TO SUBSCRIBE" (Appeler pour souscrire) apparaît.
- Il est possible que la réception soit un peu longue à se faire après avoir sélectionné la source de radio satellite.
- Si le signal de réception échoue, "Acquiring Signal"/"No Signal" apparaît.

Mode de recherche de commutation

Appuyez sur la touche [AUTO].

Affichage	Opération
"Channel"	Commande de recherche manuelle normale.
"Preset"	Recherche dans l'ordre des canaux préregistrés en mémoire.

Sélectionner le canal

Poussez la molette de commande vers la droite ou vers la gauche.

Sélection de la bande préregistrée

Poussez la molette de commande vers le haut.

À chaque fois qu'on appuie sur la molette de commande, la bande préregistrée commute entre SR1, SR2, SR3 et SR4.

Balayage des canaux (SIRIUS uniquement)

Appuyez sur la touche [AUTO] pendant au moins 2 secondes.

Si vous appuyez sur cette touche pendant 2 secondes ou plus, vous pouvez vérifier les différents canaux pendant 10 secondes chacun. Appuyez de nouveau sur cette touche pendant 2 secondes ou plus pour quitter ce mode.

Recherche de catégorie et de canal

Vous pouvez sélectionner le canal et la catégorie que vous voulez recevoir.

1 Entrer en mode de recherche de catégorie et de canal

Appuyez sur la molette de commande.

2 Sélectionner la catégorie

Poussez la molette de commande vers le haut ou vers le bas.

3 Sélectionner le canal

Poussez la molette de commande vers la droite ou vers la gauche.

Annulation du mode de recherche de catégorie et de canal

Appuyez sur la molette de commande.



- Vous ne pouvez pas effectuer une recherche de canal avant d'avoir désigné une catégorie.

Fonction de la télécommande

Syntonisation à accès direct

Vous pouvez entrer le canal et syntoniser.

1 Entrer en mode de syntonisation à accès direct

Appuyez sur la touche [DIRECT] de la télécommande.

2 Entrer le canal

Appuyez sur les touches numérotées.

3 Effectuer une recherche de canal

Appuyez sur la touche [◀◀] ou [▶▶].

Annulation de la syntonisation à accès direct

Appuyez sur la touche [DIRECT] de la télécommande.



- Si aucune touche n'est sollicitée pendant 10 secondes, la Syntonisation à accès direct est automatiquement annulée.
- S'il est impossible de recevoir un signal dans le canal d'entrée à cause de mauvaises conditions d'ondes radio ou d'autres problèmes, le message "Acquiring Signal"/"No Signal" apparaît.

Commande du tuner Satellite Radio (Optionnel)

Mémoire préréglée

Vous pouvez mettre une station en mémoire.

- 1 Sélectionner la fréquence à mettre en mémoire**
Poussez la molette de commande vers la droite ou vers la gauche.
- 2 Entrer en mode de préréglage en mémoire**
Sélectionnez "P.MEM".
Pour savoir comment sélectionner un élément de commande de fonction, référez-vous à la section <Commande de fonction> (page 44).
- 3 Sélectionner le numéro à mettre en mémoire**
Tournez la molette de commande.
- 4 Déterminer le numéro à mettre en mémoire**
Appuyez sur la molette de commande.
- 5 Attendre le temps nécessaire pour que le numéro déterminé prenne effet**
Appuyez sur la molette de commande.

Pour annuler le mode de préréglage en mémoire

Appuyez sur la touche [FNC].



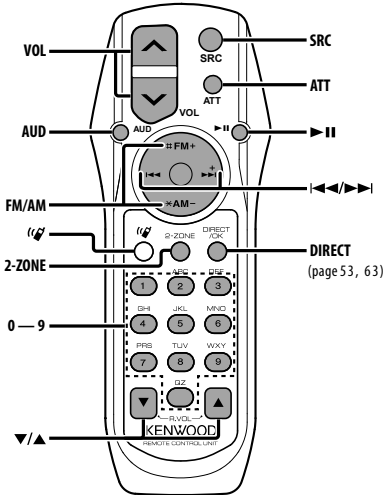
- Seul le numéro de canal est enregistré. Les informations de catégorie ne sont pas enregistrées.

Syntonisation préréglée

Rappel des stations mémorisées.

- 1 Entrer en mode de sélection du préréglage de syntonisation**
Tournez la molette de commande.
Une liste est affichée.
 - 2 Sélectionner une station souhaitée dans la mémoire**
Tournez la molette de commande.
 - 3 Rappeler la station**
Appuyez sur la molette de commande.
- Annuler la syntonisation préréglée**
Appuyez sur la touche [FNC].

Opérations de base de la télécommande



Commande générale

- Commande du volume [VOL]
- Sélection de la source [SRC]
- Réduction du volume [ATT]

En commande audio

- Sélection de l'élément audio [AUD]
- Réglage de l'élément audio [VOL]



- Reportez-vous à <Commande du son> (page 60) pour connaître le mode de fonctionnement, telles que les procédures de commande audio et autres opérations.

Commande Double Zone

Système Double Zone activé et désactivé

- [2-ZONE]

Commande de volume du canal arrière

- [▲]/ [▼]

En source tuner/HD Radio

- Sélection de la bande [FM]/[AM]
- Sélection d'une station [◀◀]/[▶▶]
- Rappel des stations préréglées [1] — [6]

Dans la source CD/USB

- Sélection d'un morceau [◀◀]/[▶▶]
- Sélection dossier/disque [FM]/[AM]
- Pause/Lecture [▶||]

En source tuner Satellite Radio

- Sélection de la bande préréglée [FM]
- Sélection du canal [◀◀]/[▶▶]
- Rappel des canaux préréglés [1] — [6]



À propos de []

Cette touche sert lorsque le HANDS FREE BOX Bluetooth est connecté. Pour plus d'informations, reportez-vous au mode d'emploi du HANDS FREE BOX Bluetooth.

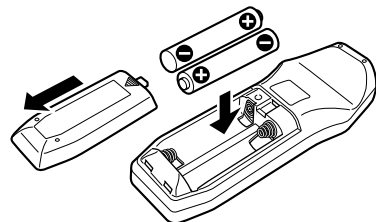


- Ne pas placer la télécommande dans des endroits exposés à la chaleur tel que le tableau de bord.

Mise en place et remplacement des piles

Utilisez deux piles "AA"/"R6".

Faire coulisser le couvercle tout en l'appuyant vers le bas pour l'enlever comme indiqué sur l'illustration. Introduire les piles en prenant soin de bien aligner les pôles + et -, en suivant l'illustration située à l'intérieur du boîtier.



Appendice

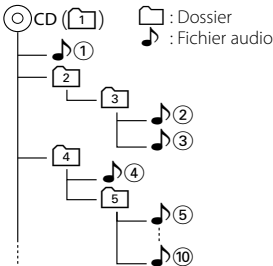
À propos des fichiers audio

- **Fichier audio reproductible**
AAC-LC (.m4a), MP3 (.mp3), WMA (.wma)
- **Supports de disque compatibles**
CD-R/RW/ROM
- **Formats de fichiers de disques compatibles**
ISO 9660 Level 1/2, Joliet, Romeo, Nom de fichier étendu.
- **Modèle de dispositif USB reproductible**
DPX503
- **Périphériques USB compatibles**
Classe de stockage de masse USB
- **Systèmes de fichier de périphérique USB compatibles**
FAT16, FAT32

Bien que les fichiers audio soient conformes aux normes établies ci-dessus, il est possible que la reproduction ne soit pas possible suivant le type ou les conditions du support ou périphérique.

• **Ordre de lecture des fichiers audio**

Dans l'exemple de l'arborescence de dossiers et de fichiers ci-dessous, les fichiers sont reproduits dans l'ordre de ① à ⑩.



Un manuel en ligne concernant les fichiers audio a été mis sur le site www.kenwood.com/audiophile/. Dans ce manuel en ligne, vous trouverez des informations et des remarques détaillées qui ne sont pas fournies dans le présent manuel. Veuillez à consulter aussi le manuel en ligne.



- Dans le présent manuel, l'expression "périphérique USB" s'utilise aussi pour les mémoires flash et les lecteurs audio numériques avec connecteur USB.
- Le mot "iPod" qui apparaît dans ce manuel indique un iPod connecté à un câble de connexion iPod (accessoire optionnel). L'iPod connecté avec un câble de connexion iPod peut être commandé depuis cet appareil. Les modèles iPod pouvant être connectés avec des câbles de connexion iPod sont les iPod nano, iPod de cinquième génération, iPod classique, et iPod touch. Les autres iPod ne peuvent pas être connectés.

À propos du périphérique USB

- Si vous démarrez la lecture après avoir connecté l'iPod, le morceau qui a été reproduit par l'iPod est lu en premier.
Dans ce cas, "RESUMING" s'affiche sans afficher de nom de dossier, etc. En changeant l'élément de recherche, le titre correct etc. s'affichera.
- Quand l'iPod est connecté à cet appareil, "KENWOOD" ou "✓" s'affiche sur l'iPod pour indiquer que vous ne pouvez pas utiliser l'iPod.
- Quand le périphérique USB est connecté à cet appareil, celui-ci peut être rechargé, pourvu que cet appareil soit mis sous tension.
- Placer le périphérique USB de façon à ce qu'il ne gêne pas la conduite du véhicule.
- Vous ne pouvez pas connecter un périphérique USB via un hub USB et un lecteur multcartes.
- Effectuer des sauvegardes des fichiers audio utilisés avec cet appareil. Les fichiers risquent d'être effacés selon les conditions de fonctionnement du dispositif USB.
Aucune compensation ne sera accordée pour les torts consécutifs à l'effacement de données enregistrées.
- Aucun périphérique USB n'est fourni avec cet appareil. Vous devez acheter un périphérique USB disponible dans le commerce.
- Pour la connexion du périphérique USB, l'utilisation du CA-U1EX (option) est recommandée.
Le bon fonctionnement de la lecture n'est pas garanti lorsqu'un autre câble que le câble compatible USB est utilisé. La connexion d'un câble dont la longueur totale dépasse 5 m peut avoir pour conséquence un fonctionnement anormal de la lecture.

À propos de KENWOOD "Music Editor" de l'application pour PC

- "Music Editor" est enregistré dans le CD-ROM joint à cet appareil.
- Veuillez vous reporter au manuel de l'utilisateur enregistré sur le CD-ROM d'installation et au programme d'aide de "Music Editor" pour la procédure d'utilisation de "Music Editor".
- Cet appareil peut reproduire des périphériques USB créés par "Music Editor".
- L'information concernant la mise à niveau de "Music Editor" se trouve sur le site www.kenwood.com.

À propos du tuner Satellite Radio (Optionnel)

Cet appareil est compatible avec les tuners de radio satellite qui sont produits par SIRIUS et XM. Veuillez vous reporter au manuel d'instructions du tuner de radio satellite.

À propos du tuner HD Radio (Optionnel)

Lorsque vous connectez un tuner HD Radio, Les fonctions de tuner de l'autoradio sont désactivées et remplacées par les fonction du tuner HD Radio. Les fonctions du tuner HD Radio sont similaires à celles du tuner de l'autoradio. Reportez-vous aux fonctions du tuner pour savoir comment utiliser ces fonctions.

Pour utiliser le KCA-BT100 (Optionnel)

Toutefois, les méthodes suivantes de contrôle de l'appareil peuvent être différentes de celles figurant dans le mode d'emploi ; par conséquent, reportez-vous aux instructions supplémentaires suivantes.

<Suppression d'un téléphone portable enregistré>

- 1-3. La procédure est la même. Veuillez vous reporter au manuel d'instructions du KCA-BT100.
4. Appuyez sur la molette de commande.
5. Sélectionnez "YES" avec la molette de commande.
6. Appuyez sur la molette de commande.
7. Appuyez sur la touche [FNC].

<Système de menu>

Pour savoir comment utiliser le Menu, référez-vous à la section <Commande de fonction> de ce manuel d'instructions.

À propos de l'affichage

L'état du téléphone portable s'affiche sur l'affichage d'état de cette unité.

De plus, certains affichages sont différents de la description du mode d'emploi KCA-BT-100.

Affichages du mode d'emploi KCA-BT100	Affichage actuel sur cet appareil
"Disconnect"	"HF Disconnect"
"Connect"	"HF Connect"
"Phone Delete"	"Device Delete"
"Phone Status"	"BT DVC Status"

BT : Affiche l'état de la connexion bluetooth. Cet indicateur s'active lorsqu'un téléphone mobile est connecté à cet appareil.

Glossaire des commandes de fonction

• SRC Select

- Pour configurer le mode de sélection de source.
- 1 : Affiche les icônes des sources parmi lesquelles choisir.
 - 2 : Vous permet de sélectionner les sources l'une après l'autre.

• Display (Affichage)

Si l'appareil n'est pas utilisé pendant au moins 5 secondes avec "OFF" sélectionné, l'affichage s'éteint. En mode configuration, l'affichage ne se désactive pas avant un laps de temps d'au moins 5 secondes.

• ILM Dimmer (atténuateur d'éclairage)

Permet de réduire la luminosité de l'éclairage des touches.

AUTO: Permet d'atténuer l'éclairage en conjonction avec l'allumage des phares de votre véhicule.

MNAL: Permet d'atténuer l'éclairage de manière constante.

OFF: N'atténue pas l'éclairage.

• AT COL CHG (Changement automatique de la couleur d'éclairage)

Lorsque vous sélectionnez "iPod", l'éclairage des touches change automatiquement en fonction de la couleur du corps de l'iPod pendant la lecture de la source iPod.

* La couleur de l'éclairage des touches est uniquement une couleur recommandée par notre société. Elle ne correspond pas forcément à la couleur du corps de l'iPod.

Modèles d'iPod compatibles:

iPod (5ème génération), iPod classique, iPod touch, iPod nano (1ère/2ème/3ème génération), iPod Cinquième génération (iPod avec vidéo)

• SWPRE (Changement de pré-sortie)

Alterne la pré-sortie entre la sortie arrière ("Rear") et sortie subwoofer ("Sub-W").

• AMP

Sélectionner "OFF" éteint l'amplificateur intégré.

Eteindre l'amplificateur intégré améliore la qualité de la sortie préampli.

• Zone2 (Zone double)

Règle la destination (enceinte avant "Front" ou enceinte arrière "Rear") de la source auxiliaire (AUX IN) lorsque le système Double zone est activé.

• Supreme

Technologie d'extrapolation et supplément avec algorithme propriétaire, la gamme haute-fréquence qui est coupée lors de l'encodage à débit binaire faible (moins de 128Kbps, la fréquence d'échantillonnage est de 44,1 kHz).

La compensation est optimisée pour chaque format de compression (AAC, MP3 ou WMA) et traité en fonction du débit.

L'effet est négligeable pour la musique codée avec un taux de transfert élevé ou variable ou dont la gamme de hautes fréquences est réduite.

• Receive Mode (Réglage du mode de réception)

Permet de définir le mode de réception du système HD Radio.

Auto: Sélectionne automatiquement l'émission analogique lorsqu'il n'y a pas d'émission numérique.

Digital: Émissions numériques uniquement.

Analog: Émissions analogiques uniquement.

Appendice

• CD Read

Définit le mode de lecture du CD.

Lorsque la lecture d'un CD de format spécial est impossible, réglez cette fonction sur "2" pour forcer la lecture. Certains CD audio risquent d'être illisibles, même réglés sur "2". En outre, les fichiers audio ne peuvent pas être lus lorsque la fonction est réglée sur "2". Conservez généralement le réglage sur "1".

1 : Distingue automatiquement les disques de fichiers audio et les disques audio pendant la lecture des disques.

2 : Force la lecture sous forme de CD audio.

• DISP REVERSE

Permet de faire basculer l'affichage du panneau entre affichage positif et affichage négatif. De plus, vous pouvez l'inverser en fonction de l'éclairage de l'habitacle.

POSI 1 : Permet d'afficher le texte en positif.

POSI 2 : Lorsque l'éclairage de l'habitacle est éteint, le texte est affiché en positif; Lorsque l'éclairage de l'habitacle est allumé, le texte est affiché en négatif.

NEGA 1 : Permet d'afficher le text en négatif.

NEGA 2 : Lorsque l'éclairage de l'habitacle est éteint, le texte est affiché en négatif; Lorsque l'éclairage de l'habitacle est allumé, le texte est affiché en positif.

• Cabin (Cabine)

La enceintes avant et arrière peuvent ne pas être situées à la même distance du centre de l'habitacle du véhicule.

Par exemple, lorsqu'un type de véhicule a son enceinte avant plus près du centre de l'habitacle que l'enceinte arrière, le son de l'enceinte arrive avec du retard.

Cette fonction permet au son de l'enceinte la plus proche du centre de l'habitacle du véhicule d'être sorti avec un certain retard et de compenser le temps d'arrivée du son provenant des enceintes avant et arrière afin qu'il vous parvienne en même temps.

Le temps d'arrivée du son peut être compensé simplement en sélectionnant le type de véhicule que vous utilisez, car les valeurs de compensation spécifiques aux différents véhicules ont été prédéfinis.

Vous pouvez également spécifier les valeurs de compensation les plus adéquates pour votre véhicule en utilisant la fonction <DTA> (page 57).

Vous pouvez également compenser les positions d'écoute (par exemple, avant et arrière) en fonction des situations en spécifiant les positions à la section <Sélection de la position préréglée> (page 58).

• DTA (Digital Time Alignment ou Alignement chronologique numérique)

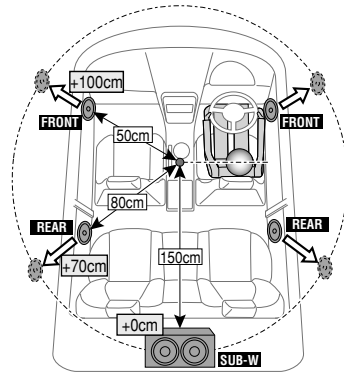
Permet de réaliser un réglage fin du temps de retard de la sortie des enceintes au niveau de la section <Sélection de la cabine> (page 57) pour obtenir un environnement plus adapté à votre véhicule.

Les réglages du temps de retard sont identifiés et compensés automatiquement lorsque vous spécifiez les distances qui séparent chaque enceinte du centre de l'habitacle.

1 Définissez les positions avant et arrière et la hauteur du point de référence en fonction de la position des oreilles de la personne assise à l'avant, et définissez les positions droite et gauche en fonction du centre de l'habitacle.

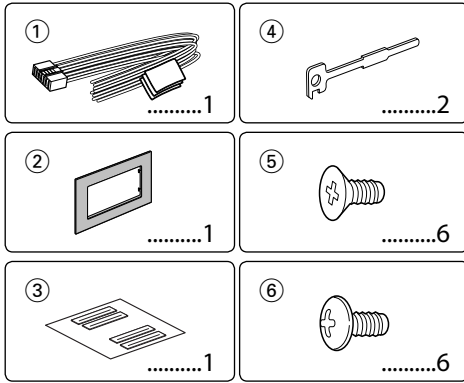
2 Mesurez les distances du point de référence aux enceintes.

3 Calculez la différence de distance par rapport à l'enceinte la plus éloignée.



Accessoires/ Procédure d'installation

Accessoires



Procédure d'installation

1. Pour éviter les courts-circuits, retirez la clef de contact et déconnectez la borne \ominus de la batterie.
 2. Effectuez correctement la connexion des câbles de sortie et d'entrée de chaque appareil.
 3. Connectez les câbles de haut-parleur du faisceau de câbles.
 4. Connectez les câbles du faisceau dans l'ordre suivant: masse, batterie, allumage.
 5. Connectez le connecteur du câblage électrique à l'appareil.
 6. Installez l'appareil dans votre voiture.
 7. Reconnectez la borne \ominus de la batterie.
 8. Appuyez sur la touche de réinitialisation.
- Si l'appareil ne parvient pas à se mettre sous tension (le message "Protect" s'affiche), cela est peut être dû à un court-circuit au niveau du cordon d'enceinte ou à un contact entre ce dernier et le châssis du véhicule, ce qui a pu activer la fonction de protection. Le câble des enceintes doit donc être vérifié.
 - Si l'allumage de votre voiture n'a pas de position ACC, connectez le câble d'allumage à une source d'alimentation qui peut être mise sous et hors tension avec la clef de contact. Si vous connectez le câble d'allumage à une source d'alimentation constante, comme un câble de batterie, la batterie risque de se décharger.
 - Si la console est équipée d'un couvercle, assurez-vous d'installer l'appareil de façon à ce que la façade ne touche pas le couvercle lors de la fermeture ou de l'ouverture.
 - Si un fusible saute, assurez-vous d'abord que les câbles n'ont pas causé de court-circuit puis remplacez le vieux fusible par un nouveau de même valeur.
 - Isolez les câbles non-connectés avec un ruban de vinyle ou d'un autre matériel similaire. Pour éviter les courts-circuits, ne retirez pas non plus les capuchons à l'extrémité des câbles non-connectés ou des prises.
 - Connectez séparément chaque câble d'enceinte à la borne correspondante. L'appareil peut être endommagé si le câble négatif \ominus pour une des enceintes ou le câble de masse entre en contact avec une partie métallique du véhicule.
 - Quand deux haut-parleurs seulement sont connectés au système, connectez les câbles soit aux prises de sortie avant, soit aux prises de sortie arrière (c.a.d. ne mélangez pas l'avant et l'arrière). Par exemple, si vous connectez le câble \oplus du haut parleur de gauche à une prise de sortie avant, ne connectez pas le câble \ominus du haut-parleur droit à la prise de sortie arrière.
 - Après avoir installé l'appareil, vérifiez si les lampes de frein, les indicateurs, les clignotants, etc. de la voiture fonctionnent correctement.
 - Monter l'unité de façon à ce que l'angle de montage soit de 30° ou moins.

⚠ AVERTISSEMENT

Si vous connectez le câble d'allumage (rouge) et le câble de batterie (jaune) au châssis de la voiture (masse), vous risquez de causer un court-circuit qui peut provoquer un incendie. Connectez toujours ces câbles à la source d'alimentation passant par le boîtier de fusibles.

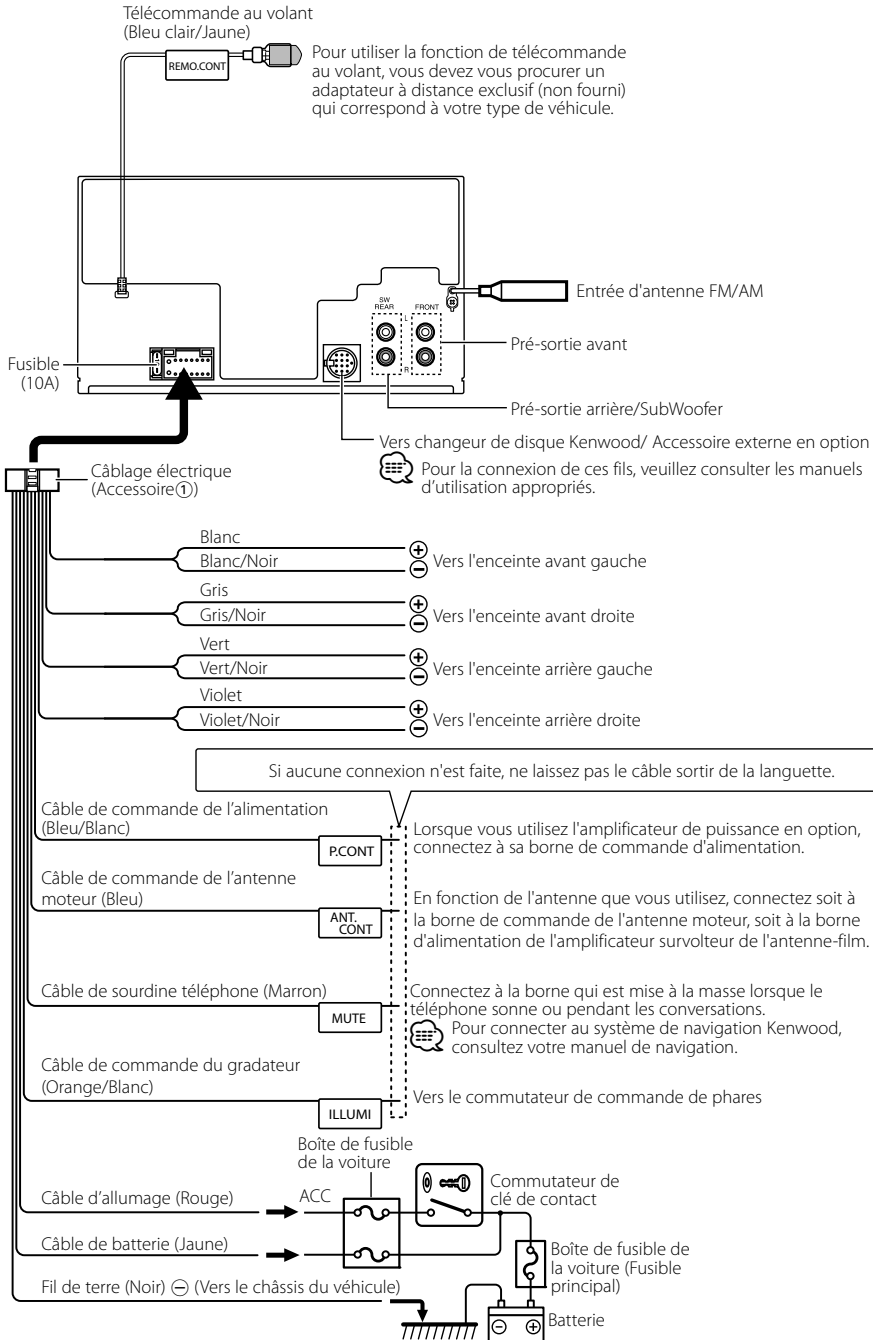


- Le montage et le câblage de ce produit nécessite des compétences et de l'expérience. Pour des raisons de sécurité, laissez un professionnel effectuer le travail de montage et de câblage.
- Assurez-vous de mettre l'appareil à la masse sur une alimentation négative de 12V CC.
- N'installez pas l'appareil dans un endroit exposé directement à la lumière du soleil, à une chaleur excessive ou à l'humidité. Évitez également les endroits trop poussiéreux ou exposés aux éclaboussures.
- N'utilisez pas vos propres vis. N'utilisez que les vis fournies. L'utilisation de vis incorrectes pourrait endommager l'appareil.

Au sujet des lecteurs de CD/changeurs de disque connectés à cet appareil

Si le lecteur de CD/ changeur de disque possède le commutateur "O-N", mettez-le dans la position "N". Les fonctions utilisables et les informations affichables diffèrent suivant les modèles connectés.

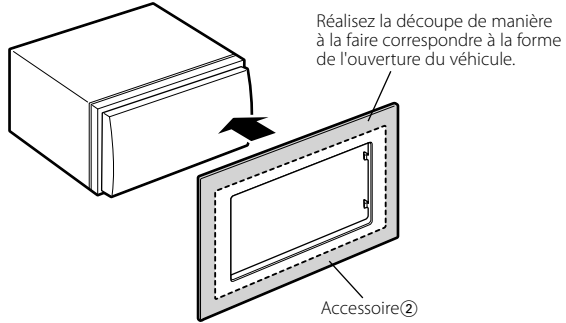
Connexion des câbles aux bornes



Installation de l'écusson

Pour General Motors

- 1 Reportez-vous à la section <Retrait du cadre en caoutchouc dur> puis retirez le cadre en caoutchouc dur.
- 2 Découpez l'accessoire ② de manière à le faire correspondre à la forme de l'ouverture du pupitre central.
- 3 Fixez l'accessoire ② à l'unité.

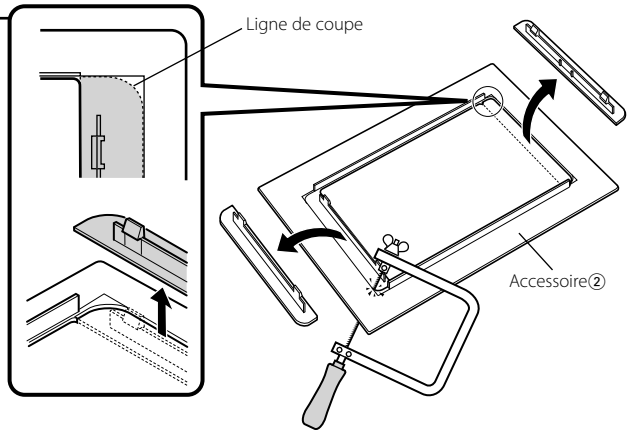


Pour TOYOTA/ SCION

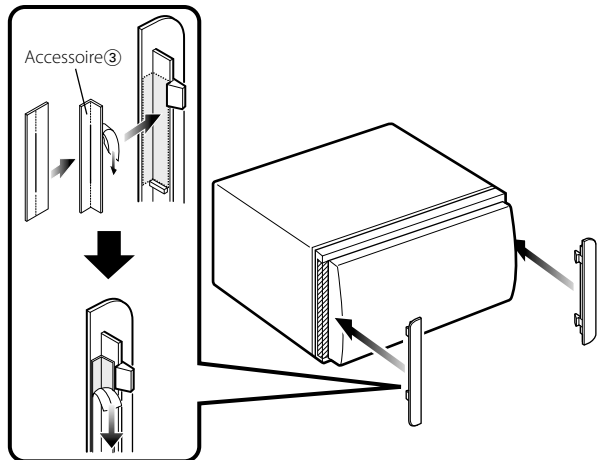
- 1 Reportez-vous à la section <Retrait du cadre en caoutchouc dur> puis retirez le cadre en caoutchouc dur.
- 2 Découpez l'accessoire ② tel qu'illustré.



- Lorsque vous découpez l'accessoire ②, assurez-vous qu'il rentre bien dans l'ouverture du pupitre central.

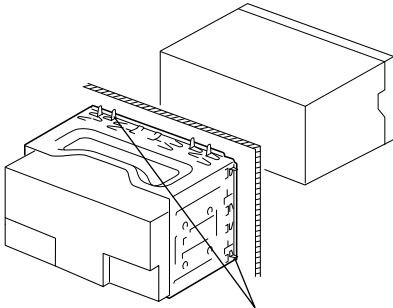


- 3 Repliez du ruban adhésif double face (accessory ③) le long de la fente et collez-le à l'accessoire ② découpé contre la nervure centrale, tel qu'illustré. Utilisez 2 morceaux de l'accessoire ③ pour 1 accessoire ② découpé.
- 4 Fixez l'accessoire ② découpé à l'unité.



Installation

Installation de l'unité

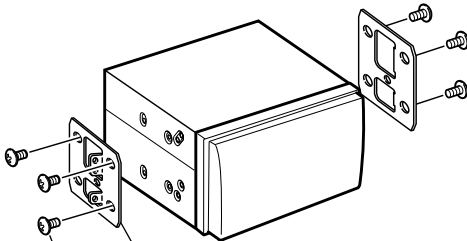


Tordre les pattes du manchon de montage avec un tournevis ou un outil similaire et fixer.

Installation dans les voitures fabriquées au Japon et dans les voitures de la marque General Motors

Installez l'unité sur le support de véhicule à l'aide des vis fournis (M5 x 6 mm, M5 x 7 mm).

Les trous se trouvant dans le support de véhicule à utiliser diffèrent en fonction du modèle du véhicule.

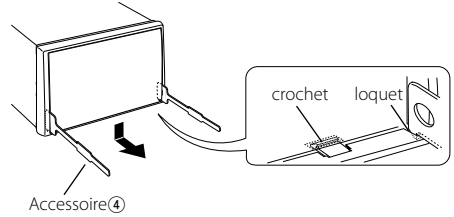


Support de véhicule

Accessoire⑥ (M5 x 7 mm)
ou Accessoire⑥ (M5 x 6 mm)

Retrait du cadre en caoutchouc dur

1 Engagez les broches de saisie sur l'outil de retrait et retirez les deux verrous du niveau supérieur. Soulevez le cadre et tirez-le vers l'avant comme indiqué sur la figure.



2 Lorsque le niveau supérieur est retiré, retirez les deux emplacements inférieurs.



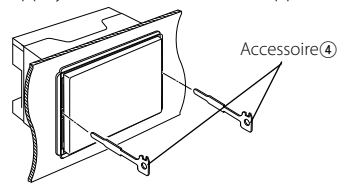
• Le châssis peut être également retiré à partir du côté arrière de la même façon.

Retrait de l'appareil

1 Référez vous à la section <Retrait du cadre en caoutchouc dur> puis retirez le cadre en caoutchouc dur.

2 Insérez les deux outils de retrait profondément dans les fentes de chaque côté, comme indiqué.

3 Poussez l'outil de retrait vers le bas tout en appuyant, et retirez à moitié l'appareil.



• Faites attention de ne pas vous blesser avec les loquets de l'outil de démontage.

4 Sortez l'appareil entièrement avec les mains, en faisant attention de ne pas le faire tomber.

Guide de dépannage

Certaines fonctions de cet appareil peuvent être désactivées lorsque certains réglages sont effectués sur l'appareil.

- !** Impossible de régler le subwoofer.
- Impossible de configurer le filtre passe-haut.
- Impossible de configurer le Fader.
- Aucun effet de commande audio sur AUX.
- Impossible de configurer la position du subwoofer avec le réglage manuel de la position.
 - La pré-sortie n'est pas réglée sur subwoofer.
 - ↳ "MENU" > "SWPRE" de la section <Commande de fonction> (page 44)
 - <Sortie Subwoofer> du Chapitre <Fonctionnement basique> (page 42) n'est pas activée (sur ON).
 - La fonction Double zone est activée. ↳ <Réglage audio> (page 61)

- !** Impossible de régler la phase subwoofer.
 - ↳ Le filtre passe-bas est réglé sur Via. ↳ <Réglage audio> (page 61), <Réglage du répartiteur> (page 58)

- !** Impossible de sélectionner la sortie de la source secondaire dans la Double Zone.
- Impossible de régler le volume des enceintes arrière.
 - ↳ La fonction Double Zone est désactivée. ↳ <Réglage audio> (page 61)

- !** Impossible d'enregistrer un code de sécurité.
- Impossible de configurer la commande d'éclairage de l'affichage.
 - ↳ <Réglage du mode de démonstration> (page 56) n'est pas désactivée.

Ce qui peut apparaître comme un mauvais fonctionnement de votre appareil n'est peut être que le résultat d'une mauvaise opération ou d'une mauvaise connexion. Avant d'appeler un centre de service, vérifiez d'abord dans le tableau suivant les problèmes possibles.

Généralités

- ?** La tonalité de touche ne s'entend pas.
 - ↳ La sortie de préampli est en cours d'utilisation.
 - ↳ La tonalité de touche ne peut être émise par le jack de préampli.

- ?** L'éclairage clignote lorsque vous actionnez la molette ou la touche.
 - ↳ C'est l'effet d'éclairage des touches.
 - ↳ Vous pouvez paramétrer cet effet dans "MENU" > "ILM Effect" dans la section <Commande de fonction> (page 44).

- ?** L'effet d'éclairage des touches lié au volume sonore est faible.
 - ↳ L'effet d'éclairage des touches peut être insuffisant selon le volume sonore et la qualité sonore.

Source tuner

- ?** La réception radio est mauvaise.
 - ↳ L'antenne de la voiture n'est pas sortie.
 - ↳ Sortez l'antenne complètement.

En source disque

- ?** Le disque spécifié n'est pas reproduit mais un autre est reproduit à sa place.
 - ↳ Le disque spécifié est très sale.
 - ↳ Nettoyez le CD en vous reportant au paragraphe relatif au nettoyage des CD de la section <Manipulation des CD> (page 41).
 - ↳ Le disque a été inséré dans une autre fente que celle spécifiée.
 - ↳ Ejectez le magasin et vérifiez le numéro du disque spécifié.
 - ↳ Le disque est très rayé.
 - ↳ Essayez un autre disque.

En source de fichier audio

- ?** Le son saute quand un fichier audio est reproduit.
 - ↳ Le support est égratigné ou sale.
 - ↳ Nettoyez le support en vous reportant au paragraphe relatif au nettoyage des CD de la section <Manipulation des CD> (page 41).
 - ↳ Les conditions d'enregistrement sont mauvaises.
 - ↳ Ré-enregistrez le support ou utilisez un autre support.

On entend du bruit lors de la recherche dans les dossiers.

- ↳ Il est possible que du bruit soit produit s'il y a des dossiers ne contenant pas de fichiers audio dans le support de lecture.
 - ↳ Ne créez pas de dossier ne contenant pas de fichiers audio.

Guide de dépannage

Les messages ci-dessous indiquent l'état de votre système.

- TOC Error:** • Aucun disque n'a été inséré dans le magasin à disques.
• Le CD est très sale. Le CD est à l'envers. Le CD est très rayé.
- Error 05:** Le disque est illisible.
- Error 77:** L'appareil fonctionne mal pour certaines raisons.
➔ Appuyez sur la touche reset sur l'appareil. Si le code "Error 77" ne disparaît pas, consultez la station technique la plus proche.
- Mecha Error/ Mecha ERR:** Il y a une anomalie dans le magasin de disque. Ou l'unité fonctionne mal pour une raison quelconque.
➔ Vérifiez le magasin à disques. Appuyez ensuite sur la touche reset de l'unité. Si le code "Mecha Error" ne disparaît pas, consultez votre centre de service le plus proche.
- IN (clignote):** Le lecteur CD ne marche pas correctement.
➔ Réinsérez le CD. Si le CD ne peut pas être éjecté ou si l'affichage continue à clignoter même si le CD a été correctement remis en place, veuillez couper le courant et consulter votre centre de service après-vente le plus proche.
- Protect:** Le fil d'enclencheur a un court-circuit ou touche le châssis du véhicule, et par conséquent la fonction de protection est activée.
➔ Disposez ou isolez le câble d'enclencheur correctement et appuyez sur la touche reset. Si le code "Protect" ne disparaît pas, consultez la station technique la plus proche.
- Unsupported File:** Le format du fichier audio lu n'est pas supporté par cette unité.
- Copy Protect/ Copy Protection/ COPY PRO:** Un fichier interdit de copie a été lu.
- Read Error:** Le système de fichier du dispositif USB connecté est cassé.
➔ Copiez les fichiers et les dossiers pour le périphérique USB de nouveau. Si le message d'erreur est toujours affiché, initialisez le dispositif USB ou utilisez un autre dispositif USB.
- No Device:** Le dispositif USB est sélectionné en tant que source bien qu'aucun dispositif USB ne soit connecté.
➔ Changez de source en utilisant n'importe quelle source autre qu'USB. Connectez un périphérique USB puis repassez à la source USB.

N/A Device: Un dispositif USB incompatible est connecté.

No Music Data/ No Music/ Error 15:

- Le dispositif USB connecté contient des fichiers audio illisibles.
- Le support utilisé ne dispose pas de données enregistrées que l'appareil peut lire.

USB ERROR (clignote):

- Un problème peut être survenu sur le périphérique USB connecté.
➔ Retirez le périphérique USB, puis mettez l'interrupteur d'alimentation sur ON. Si le même affichage se répète, utilisez un autre périphérique USB.

iPod Error:

- La connexion à l'iPod a échoué.
➔ Vérifiez que l'iPod connecté est un iPod supporté. Voir <À propos des fichiers audio> (page 66) pour obtenir des informations sur les iPod supportés.
➔ Enlevez le périphérique USB, puis reconnectez-le.
➔ Vérifiez que le logiciel de l'iPod soit de la version la plus récente.

USB REMOVE:

- Le mode Enlever a été sélectionné pour le périphérique USB/iPod. Vous pouvez enlever le périphérique USB/iPod en toute sécurité.

Caractéristiques techniques

Section tuner FM

- Bande de fréquences (par pas de 200 kHz)
 - : 87,9 MHz — 107,9 MHz
- Sensibilité utilisable (S/B = 30dB)
 - : 9,3dBf (0,8 μ V/75 Ω)
- Sensibilité silencieuse (S/N = 50dB)
 - : 15,2dBf (1,6 μ V/75 Ω)
- Réponse en fréquence (± 3 dB)
 - : 30 Hz – 15 kHz
- Taux de Signal/Bruit (MONO)
 - : 70 dB
- Sélectivité (± 400 kHz)
 - : ≥ 80 dB
- Séparation stéréo (1 kHz)
 - : 40 dB

Section tuner AM

- Bandes de fréquences (par pas de 10 kHz)
 - : 530 kHz – 1700 kHz
- Sensibilité utile (S/B = 20dB)
 - : 28 dB μ (25 μ V)

Section Disque Compact

- Diode laser
 - : GaAlAs
- Filtre numérique (D/A)
 - : 8 fois suréchantillonnage
- Convertisseur D/A
 - : 24 Bit
- Vitesse de rotation
 - : 500 – 200 t/min. (CLV)
- Pleurage et scintillement
 - : Non mesurables
- Réponse en fréquence (± 1 dB)
 - : 10 Hz – 20 kHz
- Distorsion harmonique totale (1 kHz)
 - : 0,008 %
- Taux de Signal/Bruit (1 kHz)
 - : 105 dB
- Gamme dynamique
 - : 93 dB
- Décodage MP3
 - : Compatible avec le format MP3 1/2
- Décodeur WMA
 - : Compatible Windows Media Audio
- Décode AAC
 - : Fichiers AAC-LC "m4a"

Interface USB (DPX503)

- Standard USB
 - : USB1.1/ 2.0
- Courant d'alimentation maximum
 - : 500 mA
- Système de fichiers
 - : FAT16/ 32
- Décodage MP3
 - : Compatible avec le format MP3 1/2
- Décodeur WMA
 - : Compatible Windows Media Audio
- Décode AAC
 - : Fichiers AAC-LC "m4a"

Section audio

- Puissance de sortie maximum
 - : 50 W x 4
- Pleine Puissance de Largeur de Bande (avec une DHT inférieure à 1%)
 - : 22 W x 4
- Impédance d'enceinte
 - : 4 – 8 Ω
- Action en tonalité
 - Graves : 100 Hz ± 8 dB
 - Moyennes : 1 kHz ± 8 dB
 - Aiguës : 10 kHz ± 8 dB
- Niveau de préamplification/charge (CD)
 - : 2500 mV/10 k Ω
- Impédance de pré-sortie
 - : $\leq 600 \Omega$

Entrée auxiliaire

- Réponse en fréquence (± 1 dB)
 - : 20 Hz – 20 kHz
- Tension maximum d'entrée
 - : 1200 mV
- Impédance d'entrée
 - : 100 k Ω

Généralités

- Tension de fonctionnement (entre 11 et 16V)
 - : 14,4 V
- Courant absorbé
 - : 10 A
- Dimensions d'installation (L x H x P)
 - : 182 x 112 x 160 mm
 - 7-3/16 x 4-7/16 x 6-5/16 pouces
- Poids
 - : 3,5 lbs (1,6 kg)

Índice

Antes de usar	77	Ajustes de audio	93
Funcionamiento básico	78	Selección de cabina	
Funciones generales		Ajuste DTA (Alineado Digital de Tiempo)	
Funciones del sintonizador		Ajuste del crossover	
Disco & Funciones de reproducción del archivo de audio		Control del ecualizador	
Control de función	80	Selección de posición preajustada	
Ajustes de la visualización	82	Ajuste de posición manual	
Acerca del tipo de visualización		Memoria de preajuste de audio	
Selección de pantalla de texto		Recuperación del preajuste de audio	
Selección del color de la iluminación		Control de audio	
Memoria de preajuste del color de iluminación		Configuración de audio	
Recuperación del preajuste del color de iluminación		Ajuste de altavoz	
Ajuste de la pantalla de la entrada auxiliar		Memoria de preajuste de audio	
Asignación de nombre de la emisora/disco (SNPS/DNPS)		Recuperación del preajuste de audio	
Edición del mensaje de apertura		Control del sintonizador de radio satélite (Opcional)	99
Funcionamiento de disco de música/archivo de audio	87	Funcionamiento básico	
Selección de música		Búsqueda de categoría y de canal	
Búsqueda directa de música		Sintonización de acceso directo	
Búsqueda directa de disco		Memoria de presintonización	
Funcionamiento básico del cambiador de disco (Opcional)		Sintonización preajustada	
Funcionamiento del sintonizador	89	Funciones básicas del mando a distancia	101
Memoria de presintonización de emisoras		Apéndice	102
Sintonización preajustada		Accesorios/Procedimiento de instalación	105
Sintonización de acceso directo		Conexión de cables a los terminales	106
PTY (Tipo de programa)		Instalación del marco	107
Preajuste del tipo de programa		Instalación	108
Registro de una emisora como PTY		Guía Sobre Localización De Averías	109
Otras funciones	91	Especificaciones	111
Activación del código de seguridad			
Desactivación del Código de seguridad			
Ajuste manual del reloj			
Ajuste de fecha			
Ajuste del modo de demostración			

- iPod is a trademark of Apple, Inc., registered in the U.S. and other countries.
- The "AAC" logo is trademark of Dolby Laboratories.

Antes de usar

▲ADVERTENCIA

Para evitar el riesgo de lesiones y/o fuego, observe las siguientes precauciones:

- Para evitar cortocircuitos, nunca coloque ni deje objetos metálicos (por ejemplo, monedas o herramientas metálicas) dentro de la unidad.

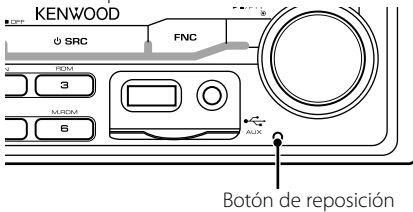
Antes de utilizar esta unidad por primera vez

Esta unidad se ajusta inicialmente al modo de demostración.

Cuando utilice esta unidad por primera vez, cancele el <Ajuste del modo de demostración> (página 92).

Cómo reposicionar su unidad

- Si esta unidad o la conectada (cambiador automático de discos, etc.) funciona incorrectamente, pulse el botón de reposición. La unidad se restaura a los ajustes de fábrica al pulsar el botón de reposición.



Limpieza de la unidad

Si la placa frontal de esta unidad está manchada, límpiela con un paño seco tal como un paño de silicona.

Si la placa frontal está muy sucia, límpiela con un paño humedecido en jabón neutro, y luego vuelva a limpiarla con un trapo suave limpio y seco.



- Si se aplica algún spray para limpiar directamente a la unidad puede que afecte a sus partes mecánicas. Si se limpia la placa frontal con un paño duro o utilizando líquido volátil tal como disolvente o alcohol puede que se raye la superficie o que se borren algunos caracteres.

Empañamiento de la lente

Inmediatamente después de encender el calefactor del automóvil en épocas de frío, se podría formar condensación o vaho sobre la lente del reproductor de CD. Este empañamiento de la lente podría hacer imposible la reproducción de CDs. En tal caso, retire el disco y espere hasta que se evapore la condensación. Si la unidad no opera de la manera normal después de un tiempo, consulte con su distribuidor Kenwood.

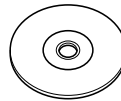
- Si tiene problemas durante la instalación, consulte con su distribuidor Kenwood.
- Cuando compre accesorios opcionales, verifique antes con su distribuidor Kenwood que dichos accesorios funcionan con su modelo en su área.
- Se pueden visualizar los caracteres que cumplen con la norma ISO 8859-1.
- En este documento, si el indicador de descripción está iluminado significa que se visualiza un estado. Consulte <Acerca del tipo de visualización> (página 82) para detalles sobre la visualización de estado.
- Las ilustraciones de la pantalla, el icono de función y el panel que aparecen en este manual son ejemplos utilizados para explicar con más claridad como utilizar los controles. Por lo tanto, las ilustraciones de la pantalla que aparecen pueden ser distintas a las que aparecen realmente en la pantalla del equipo, y algunas de las ilustraciones de la pantalla puede que representen algo imposible durante el funcionamiento actual.

Manipulación de CDs

- No toque la superficie de grabación del CD.
- No pegue cinta etc. sobre el CD. Ni tampoco utilice un CD con cinta pegada sobre el.
- No utilice accesorios de tipo disco.
- Limpie desde el centro del disco hacia el exterior.
- Cuando extraiga los CD de esta unidad, tire de estos en sentido horizontal.
- Si el agujero central del CD o el margen exterior tiene rebaba, utilícelo después de haberla quitado con un bolígrafo.

CDs que no se pueden utilizar

- No se pueden utilizar CDs que no sean redondos.



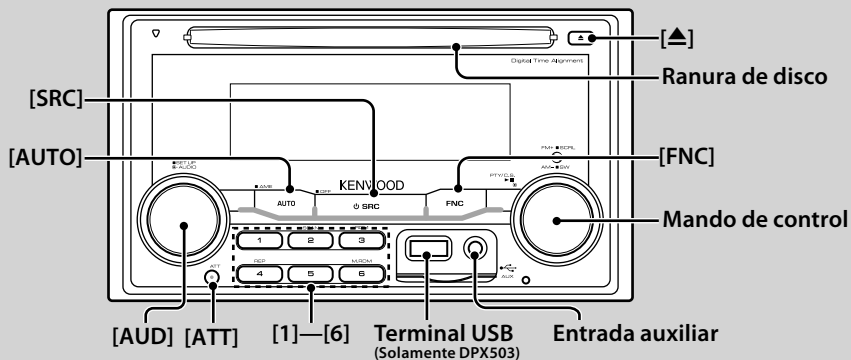
- No se pueden utilizar CDs coloreados en la superficie de grabación o que estén sucios.
- Esta unidad sólo puede reproducir los CD con



Puede que no reproduzca correctamente los discos que no tienen la marca.

- No se puede reproducir un CD-R o CD-RW que no ha sido finalizado. (Para el proceso de finalización remitase a su software escrito CD-R/CD-RW, y a su manual de instrucciones de grabador de CD-R/CD-RW.)

Funcionamiento básico



Funciones generales

Botón de selección Alimentación/Fuente: [SRC]

Activa la alimentación.

Cuando la alimentación se encuentra en ACTIVADO, seleccione una fuente.

Modo 1 de selección de SRC: Pulse el botón [SRC] y después gire el mando de control o púlselo hacia la izquierda o hacia la derecha. Para determinar la fuente seleccionada, pulse el mando de control.

Modo 2 de selección de SRC: Cada vez que pulse este botón se cambian las fuentes.

Sintonizador ("TUNER"), USB o iPod ("USB" o "iPod") (solamente DPX503), CD ("Compact Disc"), Entrada auxiliar ("AUX") y Modo de espera ("STANDBY") Púlselo por al menos 1 segundo para desactivar la alimentación.



- El modo de selección SRC se puede ajustar en "MENU" > "SRC Select" de <Control de función> (página 80).
- Cuando se conecta un accesorio opcional, aparece el nombre fuente de cada dispositivo.
- Cuando se reconoce la conexión del iPod, la pantalla de la fuente cambia de "USB" a "iPod". (Solamente DPX503)

Control de volumen: [AUD]

Gire el mando para ajustar el volumen.

Atenuador: [ATT]

Para bajar el volumen rápidamente.

Al reducir el volumen, el indicador "ATT" parpadea.

Desactivación del volumen al recibir una llamada telefónica

Cuando hay una llamada, se muestra "CALL" y el sistema de audio entra en pausa.

Cuando la llamada finaliza, "CALL" desaparece y el sistema de audio vuelve a activarse.

El sistema de audio vuelve a activarse al pulsar [SRC] durante una llamada.



- Para utilizar la función de silenciamiento de TEL, es necesario conectar el cable MUTE al teléfono mediante el uso de un accesorio telefónico comercial. Remítase a <Conexión de cables a los terminales> (página 106).

Entrada auxiliar: Entrada auxiliar

Conecte un dispositivo de audio portátil con el cable de miniconector (Ø 3,5 mm).



- Utilice el miniconector que es de tipo estéreo y no tiene ninguna resistencia.
- La entrada auxiliar requiere del ajuste realizado en "MENU" > "Built in AUX" de <Control de función> (página 80).

Salida de subwoofer: Mando de control

Cambia entre ACTIVADO ("SUBWOOFER ON") y DESACTIVADO ("SUBWOOFER OFF") cada vez que pulsa hacia abajo por al menos 2 segundos.

Control de función: [FNC]

Al pulsar este botón le permite ajustar varias funciones utilizando el mando de control. Consulte <Control de función> (página 80).

Categoría	Función del elemento de configuración
MENU	Le permite configurar el entorno.
SOUND*	Le permite configurar el entorno de sonido.
DISP	Le permite configurar la pantalla.
COLOR*	Le permite configurar el color del iluminador.

*Función de DPX503

Despliegue de texto/título: Mando de control

Desplaza el texto del CD y del archivo de audio al pulsar hacia arriba por al menos 2 segundos.

Funciones del sintonizador

Selección de banda: Mando de control

Cambia entre FM1, FM2 y FM3 cada vez que se pulsa hacia arriba.

Cambia a AM al pulsar hacia abajo.

Sintonización: Mando de control

Cambia la frecuencia al pulsar hacia la izquierda o hacia la derecha.



- Durante la recepción de emisoras en estéreo, el indicador "ST" se activa.

Selección del modo de sintonización: [AUTO]

Cambia del siguiente modo cada vez que se pulsa este botón.

Modo de sintonización	Visualización	Operación
Búsqueda automática	"Auto1"	Búsqueda automática de una emisora.
Búsqueda de emisora presintonizada	"Auto2"	Búsqueda de emisoras por orden en la memoria de presintonización. (página 79/89)
Manual	"Manual"	Control de sintonización manual normal.

Entrada de memoria automática: [AUTO]

Memoriza automáticamente seis emisoras con buena recepción al pulsar por al menos 2 segundos.

Memoria de presintonización: [1] - [6]

Memoriza la emisora seleccionada cuando se pulsa durante al menos 2 segundos.

Sintonización preajustada: [1] - [6]

Recupera la emisora memorizada.

Disco & Funciones de reproducción del archivo de audio

Reproducción de disco: Ranura de disco

Comienza la reproducción al insertar un disco.

Cuando hay un CD insertado, se activa el indicador "IN".



- No pueden utilizarse CDs de 3 pulgadas. Intentar insertar uno con un adaptador puede resultar en una avería.

Expulsión de disco: [▲]



- Puede expulsar el disco hasta 10 minutos después de haber apagado el motor.

Dispositivo USB/reproducción de iPod (Función de DPX503): Terminal USB

Al conectar un dispositivo USB inicia la reproducción.



- Para los archivos de audio reproducibles, medios y dispositivos, consulte la sección <Acerca del archivo de audio> (página 102).

Pausa y reproducción: Mando de control

Cambia entre pausa y reproducción cada vez que se pulsa la parte central.

Extracción del dispositivo USB (solamente DPX503): [▲]

Pulse este botón por 2 segundos o más para seleccionar el modo de remoción y después quite el dispositivo USB.

Durante el modo de extracción, el indicador de "USB REMOVE" se ENCIENDE.

Búsqueda de música: Mando de control

Cambia la música al pulsar hacia la izquierda o hacia la derecha.

Retrocede o avanza rápidamente la música al mantener pulsado hacia la izquierda o hacia la derecha. (No se emite ningún sonido mientras se reproduce un archivo de audio).

Búsqueda de carpeta: Mando de control

Cambia la carpeta que contiene el archivo de audio al pulsar hacia arriba o hacia abajo.

Pista/Archivo/Repetición de reproducción de Carpeta: [4]

Cambia entre Repetición de pista ("Repeat ON") y OFF (DESACTIVADO) al pulsarlo mientras se reproduce un CD. Cambia entre Repetición de archivo ("File Repeat ON"), Repetición de carpeta ("Folder Repeat ON") y OFF (DESACTIVADO) al pulsarlo mientras se reproduce un archivo de audio.



- No se puede llevar a cabo la operación de repetición de carpeta mientras se encuentra en reproducción un iPod.

Reproducción con exploración: [2]

Reproduce sucesivamente la introducción de la música en el disco o carpeta.

Cambia entre ON (ACTIVADO) ("Scan ON"/"File Scan ON") y OFF (DESACTIVADO) cada vez que se pulsa este botón.



- La función de reproducción con exploración no se puede llevar a cabo mientras se encuentre reproduciendo un iPod/"Media Editor".

Reproducción aleatoria: [3]

Reproduce aleatoriamente la música en el disco o carpeta.

Cambia entre ON (ACTIVADO) ("Disc Random ON"/"Folder RDM ON") y OFF (DESACTIVADO) cada vez que se pulsa este botón.

Control de función

Las funciones de la tabla de abajo pueden ajustarse utilizando el control de función.

Categoría	Elemento	Preajuste	Entrada	Vista general de ajustes	Condición	Página
MENU	"Security Set"/ "Security Clear"		1 sec.	Ajusta/Restaura el código de seguridad	SB	91
	"SRC Select"	"1"/"2"		Ajusta el método de selección de fuente.	SB	103
	"iPod Mode"*1	"OFF"/"ON"*		Al ajustar en "ON", le permite seleccionar la música de un modo similar al hacerlo con el iPod.	iPod	75
	"AT COL CHG"*1	"OFF"/"iPod"*		Al utilizar la fuente iPod, se ajusta si se cambia o no el color de la iluminación por medio del iPod.	iPod	103
	"Beep"	"OFF"/"ON"*		Activación/desactivación del sonido de comprobación de funcionamiento (sonido bip).	SB	
	"Clock Adjust"		1 sec.	Ajusta el reloj.	—	92
	"Date Adjust"		1 sec.	Ajusta la fecha.	SB	92
	"Date Mode"	7 tipos	1 sec.	Ajusta el modo de visualización de la fecha.	SB	
	"SYNC"*1	"OFF"/"ON"*		Sincronización de los datos horarios de la emisora RDS y el reloj de esta unidad.	SB	
	"DSI"	"OFF"/"ON"*		Un indicador rojo parpadeará en la unidad después de haber colocado ACC en OFF (APAGADO), advertencia sobre ladrones potenciales.	SB	
	"Display"	"OFF"/"ON"*		Desactiva la pantalla cuando no se lleva a cabo ninguna operación.	—	103
	"Dimmer"	"OFF"/"ON"*		Atenúa la visualización junto con el interruptor de luz del vehículo.	SB	
	"ILM Dimmer"	"AUTO"/"MANUAL"/ "OFF"		Ajusta si se atenúa la iluminación junto con el interruptor de luz del vehículo o si debe atenuarse de forma constante.	SB	103
	"ILM Effect"	"OFF"/"ON"*		Ajusta si se cambia el color de la iluminación junto con la operación de la tecla.	SB	
	"ILM MSC SYNC"	"OFF"/"ON"		Ajusta si se cambia el color de la iluminación de la tecla junto con el volumen del sonido.	—	
	"ILM Color"*2	"Blue"/"Red"/ "Green"		Ajusta el color de iluminación del botón.	SB	
	"SWPRE"	"Rear"/"Sub-W"		Ajusta la salida de preamplificación.	SB	103
	"AMP"	"OFF"/"ON"*		Enciende/apaga el amplificador incorporado.	SB	103
	"Zone2"	"Rear"/"Front"		Especifica el destino del sonido de la entrada AUX al activar la función de zona dual.	2ZONE	103
	"Supreme"	"OFF"/"ON"*		Activa o desactiva la función Supreme.	AF2	103
	"TI"*1	"OFF"/"ON"		Cambia automáticamente a la información de tráfico cuando da inicio el boletín de tráfico.	SB	
	"CRSC"	"OFF"/"ON"*		Cambia a Monoaural para reducir el ruido cuando la recepción es débil.	FM	
	"Receive Mode"	"Auto"/"Digital"/ "Analog"	1 sec.	Establece el modo de recepción de radio HD.	HDR	103
	"ESN="			Muestra el número de serie electrónico del radio satélite.	SAT	
	"Name Set"		1 sec.	Ajusta el nombre de la estación (SNPS)/ nombre del disco (DNPS)/ nombre de AUX.		85
	"Scroll"	"Auto"/"Manual"		Especifica si el texto se despliega automáticamente.	—	
	"Built in AUX"	"OFF"/"ON"*		Establece si mostrar AUX durante la selección de fuente.	SB	
	"CD Read"	"1"/"2"		Establece el modo de lectura de CD.	SB	103
	"Audio Preset"*2		1 sec.	Ajusta previamente el valor del ajuste del control de audio. El valor preestablecido se retiene después de restaurar.	SB	98
	"DISP REVERSE"	"POS1 1"/"POS1 2"/ "NEGA 1"/"NEGA 2"		Cambia la visualización del panel entre positivo y negativo.	—	104
	"CONTRAST"	"1" – "10"		Ajuste del contraste de la visualización.	—	
"OPENING MSGE Edit"		1 sec.	Ajusta el mensaje de apertura visualizado al encender la alimentación.	SB	86	
"DEMO Mode"	"OFF"/"ON"*	2 sec.	Especifica cuando habilitar la demostración.	—	92	

Categoría	Elemento	Preajuste	Entrada	Vista general de ajustes	Condición	Página
SOUND*1	"S-SET"	"CABIN"	"Compact1" etc.	Selecciona el tipo de auto para compensar la diferencia de distancia entre cada altavoz.		93/104
		"DTA"		Realiza el ajuste fino del valor de compensación especificado en Cabina.		93/104
		"XOVER"		Realiza el ajuste fino del valor de crossover especificado en Speaker (altavoz).		94
	"S-CTRL"	"EQ"		Ajusta la calidad de sonido.		94
		"POSIT"		Compensa el entorno de sonido de acuerdo a la posición de escucha.		94/95
		"LOUD"	"OFF"*/"ON"	Compensa el sonido de pitch alto y bajo con bajo volumen.		
	"Preset"			Ajusta previamente el valor del ajuste del control de audio. El valor preestablecido se retiene después de restaurar.		95
DISP	"TYPE"	A/ B/ C/ D		Ajusta el patrón de visualización.	—	82
	"GRAPH"	Analizador de espectro 1 – 2		Ajusta la visualización del analizador de espectro tipo D.		
	"SIDE"	Icono de texto/ Icono de fuente/ OFF (DESACTIVADO)		Ajusta la visualización del icono del lado tipo A/B.		
	"TEXT"			Ajusta la visualización del texto.		83
Color*1				Ajusta el color de iluminación del panel.		84
P/MEM				Preestablece una estación.		89
SCAN*3		"ON"/ —		Al ajustar en "ON", se reproduce la introducción de la música en la carpeta sucesivamente.		
RDM		"ON"/ —		Al ajustar en "ON", se reproduce la música en la carpeta aleatoriamente.		
FIREP		"ON"/ —		Al ajustar en "ON", se reproduce la música repetidamente.		
FoREP		"ON"/ —		Al ajustar en "ON", se reproduce la música en la carpeta repetidamente.		
SCAN		"ON"/ —		Al ajustar en "ON", se reproduce la introducción de la música en el disco sucesivamente.		
RDM		"ON"/ —		Al ajustar en "ON", se reproduce la música en el disco aleatoriamente.		
M.RDM		"ON"/ —		Al ajustar en "ON", se reproduce la música en el cambiador de discos aleatoriamente.		
T.REP		"ON"/ —		Al ajustar en "ON", se reproduce la música repetidamente.		
D.REP		"ON"/ —		Al ajustar en "ON", se reproduce la música en el disco repetidamente.		

* Ajuste de fábrica

*1 Función del DPX503.

*2 Función del DPX303.

El elemento visualizado depende de la fuente o el modo seleccionado actualmente. La marca en la columna de Condición muestra la condición en la cual se visualiza el elemento.

: Puede ajustarse en otro estado distinto al de en espera.

: Puede ajustarse en el estado de espera.

: Puede ajustarse mientras se encuentre en la fuente de archivo de audio de CD/USB/iPod.

: Puede ajustarse mientras sea una fuente de archivo de audio de CD/USB (excluyendo iPod).

: Puede ajustarse mientras se encuentre en la fuente del cambiador de CD/ Disc.

: Puede ajustarse mientras se encuentre en la fuente de cambiador de Disco.

: Puede ajustarse durante la recepción de FM.

: Puede establecerse estando en la fuente de Radio HD.

: Puede ajustarse durante la fuente de radio satélite.

: Puede ajustarse solamente durante la reproducción de la fuente iPod. (Fuente USB utilizada al conectar el iPod)

: Puede ajustarse para fuentes diferentes a la fuente del modo de espera ajustando "2 ZONE" de <Configuración de audio> (página 97) en "ON".

: Ajusta "ILM MSC SYNC" y "AT COL CHG" en el menú en "OFF".

: Consulte la página de referencia.

: Puede ajustarse al seleccionar el tipo especificado para el tipo de visualización.

— : Puede ajustarse en todas las fuentes.



- Consulte la página correspondiente para obtener información sobre cómo establecer los elementos con referencia al número de página.

- Solamente se visualizan los elementos disponibles en la fuente actual.

- Los campos eléctricos fuertes (como las líneas de alta tensión) pueden producir que la calidad del sonido sea inestable cuando CRSC está activado. En tal caso, desactívalo.

Página siguiente ►

Control de función

1 Ingrese al modo de control de función

Pulse el botón [FNC].

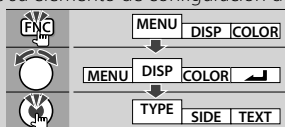
Se visualiza el icono de la función.

2 Seleccione el elemento de configuración que desee

Tipo de operación	Operación
Desplazamiento entre los elementos	Gire el mando de control.
Selección del elemento	Pulse el mando de control.
Volver al elemento anterior	Pulse el botón [FNC] o el icono "◀".

Repita la selección y determinación hasta que seleccione su elemento de configuración deseado.

Ejemplo:



En este manual, la selección de arriba se indica como

Selección "DISP" > "TYPE".

3 Realice un ajuste

Gire el mando de control para seleccionar un valor de ajuste y después pulse el mando de control.

- El valor de los elementos con el signo ◀○▶ se pueden ajustar pulsando el mando de control hacia la derecha o hacia la izquierda.
- Algunos elementos requieren que mantenga pulsado el mando de control por 1 o 2 segundos para que pueda realizar un ajuste. Para estos elementos, el tiempo durante el cual necesita mantener pulsado el mando de control se visualiza en la columna de Entrada por segundos.
- Para las funciones que acompañan la descripción del procedimiento de ajuste, etc., se visualizan los números de la página de referencia.

4 Salga del modo de control de función

Pulse el botón [FNC] durante al menos 1 segundo.



- *3 Ubicación reproducida con "File Scan"
 - Archivo de audio: Primeros 10 segundos
 - Editor de música multimedia: Primeros 10 segundos o la parte seleccionada por Salto de Intro.Durante el salto de intro, gire el mando de control a la izquierda o a la derecha para cambiar la canción. El método de escaneo depende de la configuración del editor de música. Consulte la ayuda del editor de música para obtener información detallada.

Ajustes de la visualización

Acerca del tipo de visualización

Abajo se muestran ejemplos de los tipos de visualización.

Visualización	Tipo de visualización
"TYPE [A]"	
"TYPE [B]"	
"TYPE [C]"	
"TYPE [D]"	

- ① Parte de la visualización del texto
- ② Visualización de estado
- ③ Parte de la visualización del icono
- ④ Visualización (varía dependiendo de la fuente)
- ⑤ Visualización del reloj
- ⑥ Visualización del analizador de espectro

Selección de pantalla de texto

Seleccionar el texto de visualización.

En la fuente de sintonizador

Información	Visualización
SNPS	"SNPS"
Título y nombre del artista* (FM)	"Title/Artist"/"TITLE/ART"
Nombre de la emisora* (FM)	"Station Name"/"ST NAME"
Texto de radio adicional* (FM)	"Radio Text Plus"/"R-TEXT+"
Texto de radio (FM)*	"Radio Text"/"R-TEXT"
Frecuencia	"Frequency"/"FREQ"
Analizador de espectro y reloj	"Speana/Clock"/"SPEANA"
Fecha	"Date"/"DATE"
En blanco	"Blank"/"BLANK"

* Se visualiza información de texto de radio adicional.
(Solamente DPX503)

En la fuente de CD y disco Externo

Información	Visualización
Título del disco	"Disc Title"/"D-TITLE"
Título de la pista	"Track Title"/"T-TITLE"
Tiempo de reproducción y número de la pista	"P-Time"/"P-TIME"
Nombre del disco	"DNPS"
Analizador de espectro y reloj	"Speana/Clock"/"SPEANA"
Fecha	"Date"/"DATE"
En blanco	"Blank"/"BLANK"

En la fuente de archivo de audio

Información	Visualización
Título de la música y nombre del artista	"Title/Artist"/"TITLE"
Nombre del álbum y nombre del artista	"Album/Artist"/"ALBUM"
Nombre de la carpeta	"Folder Name"/"FOLDER"
Nombre del archivo	"File Name"/"FILE"
Tiempo de reproducción y número de música	"P-Time"/"P-TIME"
Analizador de espectro y reloj	"Speana/Clock"/"SPEANA"
Fecha	"Date"/"DATE"
En blanco	"Blank"/"BLANK"

En Espera

Información	Visualización
Espera	"Source Name"/"SRC NAME"
Reloj	"Clock"/"CLOCK"
Fecha	"Date"/"DATE"
En blanco	"Blank"/"BLANK"

En la fuente entrada auxiliar

Información	Visualización
Nombre de entrada auxiliar	"Source Name"/"SRC NAME"
Analizador de espectro y reloj	"Speana/Clock"/"SPEANA"
Fecha	"Date"/"DATE"
En blanco	"Blank"/"BLANK"

En la fuente de Radio HD (Opcional)

Información	Visualización
Nombre de la emisora	"Station Name"/"ST NAME"
Título	"Title"/"TITLE"
Frecuencia	"Frequency"/"FREQ"
Analizador de espectro y reloj	"Speana/Clock"/"SPEANA"
Fecha	"Date"/"DATE"
En blanco	"Blank"/"BLANK"

En la fuente SIRIUS/ SAT (Opcional)

Información	Visualización
Nombre del canal	"Channel Name"/"CH NAME"
Título de la música	"Song Title"/"SONG"
Nombre del artista	"Artist Name"/"ARTIST"
Nombre del compositor	"Composer Name"/"COMPOSER"
Nombre de la categoría	"Category Name"/"CATEGORY"
Nombre de la etiqueta	"Label Name"/"LABEL"
Comentario	"Comment"/"COMMENT"
Banda y número de canal	"Channel Number"/"CH NUM"
Analizador de espectro y reloj	"Speana/Clock"/"SPEANA"
Fecha	"Date"/"DATE"
En blanco	"Blank"/"BLANK"

En la fuente XM (Opcional)

Información	Visualización
Nombre del canal	"CHANNEL NAME"/"CH NAME"
Título	"TITLE"
Nombre	"NAME"
Nombre de la categoría	"CATEGORY"
Banda y número de canal	"CHANNEL NUMBER"/"CH NUM"
Analizador de espectro y reloj	"Speana/Clock"/"SPEANA"
Fecha	"Date"/"DATE"
En blanco	"Blank"/"BLANK"

Ajustes de la visualización

1 Ingrese al modo de selección de pantalla de texto (En la visualización tipo A/ B/ C) Seleccione "DISP" > "TEXT".

Para saber como seleccionar un elemento del Control de función, consulte <Control de función> (página 80).

2 Seleccione la parte de pantalla de texto Pulse el mando de control hacia arriba o hacia abajo.

La parte de la visualización del texto seleccionado parpadea.

3 Seleccione el texto Gire el mando de control o púselo hacia la izquierda o la derecha.

4 Salga del modo de selección de la visualización de texto Pulse el botón [FNC].



- Si el elemento de visualización seleccionado no contiene ninguna información, se muestra información alternativa.
- Algunos elementos no pueden seleccionarse dependiendo del tipo de visualización y del renglón.
- Al seleccionar "Folder Name" mientras se reproduce un iPod, se mostrarán los nombres dependiendo de los elementos de exploración seleccionados en ese momento.
- Al seleccionar la visualización tipo C, se visualiza "Speana" en lugar de "Speana/Clock".
- "Frequency" se puede seleccionar solamente en la primera línea durante el ajuste del texto.

Función de DPX503

Selección del color de la iluminación

Selección del color de la iluminación del panel.

1 Ingrese en el modo de selección de color de la iluminación Seleccione "Color".

Para saber como seleccionar un elemento del Control de función, consulte <Control de función> (página 80).

2 Seleccione el lugar donde desea ajustar el color de la iluminación

Lugar	Visualización
Todos	"All Color"
Visualización	"Display Color"
Botón	"Key Color"
Control de volumen	"Left Knob Color"

Mando de control	"Right Knob Color"
Guardar y recuperar los colores de la iluminación que seleccionó para cada lugar	"Color Preset"

Gire el mando de control y pulse en el centro cuando visualice el elemento deseado.

3 Seleccione el color de la iluminación Gire el mando de control y pulse en el centro cuando visualice el elemento deseado.

Seleccione el color de "Variable Scan"/ "Color1" — "Color 10"/ "User".

Creación del color de "User"

Puede crear su propio color original durante la selección de "Color1" — "Color10".

El color que haya creado se podrá recuperar al seleccionar "User".

1. Pulse el mando de control por al menos 1 segundo.

Ingrese al modo de ajuste del color a detalle.

2. Ajuste el color.

Tipo de operación	Operación
Para seleccionar el color que se desea ajustar. (rojo, verde o azul)	Pulse el mando de control hacia la derecha o la izquierda.
Para ajustar el color. (Rango: 0 — 9)	Gire el mando de control o púselo hacia arriba o hacia abajo.

3. Pulse el mando de control.

Salga del modo de ajuste del color a detalle.

4 Salga del modo de selección de color de la tecla Pulse el botón [FNC].



- Al seleccionar "PRESET", puede guardar la combinación de los colores de iluminación seleccionado para cada lugar. Para saber cómo guardar los colores de iluminación, consulte <Memoria de preajuste del color de iluminación> (página 85).

Función de DPX503

Memoria de preajuste del color de iluminación

Guardar la combinación de los colores de iluminación seleccionados para cada lugar. No es posible borrar la memoria utilizando el botón de restauración.

1 Ajuste el color de iluminación para cada lugar

Consulte <Selección del color de la iluminación> (página 84).

2 Ingrese al modo de memoria de preajuste del color de iluminación

Seleccione "COLOR" > "PRESET" > "MEMO".

Para saber como seleccionar un elemento del Control de función, consulte <Control de función> (página 80).

3 Coloque el preajuste de color de iluminación en la memoria

Pulse el mando de control.

Se visualiza "Memory?".

4 Gire el mando de control para seleccionar "YES", y después pulse el mando de control.

Se visualiza "Memory Completed".

5 Salga del modo de preajuste del color de iluminación

Pulse el botón [FNC].



- Registre 1 par de memoria de preajuste del color de iluminación.
- Si pulsa el botón de restauración, el valor en la memoria será el valor de ajuste predeterminado de "Selección del color de la iluminación".

Función de DPX503

Recuperación del preajuste del color de iluminación

Recuperación de la selección que guardó en el modo de preajuste del color de iluminación.

1 Ingrese al modo de recuperación del preajuste de audio

Seleccione "COLOR" > "PRESET" > "RECALL".

Para saber como seleccionar un elemento del Control de función, consulte <Control de función> (página 80).

2 Recupere el preajuste del color de iluminación

Pulse el mando de control.

Se visualiza "Recall?".

3 Gire el mando de control para seleccionar "YES", y después pulse el mando de control.

Se visualiza "Recall Completed".

4 Salga del modo de recuperación del preajuste del color de iluminación

Pulse el botón [FNC].



- Al recuperar el preajuste del color de iluminación, los ajustes del color de iluminación actuales serán reemplazados por la selección preajustada.

Ajuste de la pantalla de la entrada auxiliar

Selecciona la pantalla de abajo al cambiar a la fuente de entrada auxiliar;

1 Seleccione el elemento de ajuste de la pantalla de entrada auxiliar durante el modo de Menú (En el modo AUX)

Seleccione "Name Set".

Para saber como seleccionar elementos del control de función, consulte <Control de función> (página 80).

2 Ingrese al modo de selección de pantalla de entrada auxiliar

Pulse el mando de control por al menos 1 segundo.

Se visualizará la pantalla de entrada auxiliar seleccionada en ese momento.

3 Seleccione la pantalla de entrada auxiliar

Gire el mando de control o púlselo hacia arriba o hacia abajo.

"AUX"/"DVD"/"PORTABLE"/"GAME"/"VIDEO"/"TV"

4 Salga del modo de ajuste de la pantalla de entrada auxiliar

Pulse el botón [FNC].



- Cuando se detiene el funcionamiento durante 10 segundos, se registra el nombre en aquel momento y se cierra el modo de ajuste de la pantalla de entrada auxiliar.
- La pantalla de entrada auxiliar puede establecerse sólo cuando se usa la entrada auxiliar incorporada o la entrada auxiliar del modelo opcional. En el modelo KCA-S220A, "AUX EXT" aparece de forma predeterminada.

Ajustes de la visualización

Asignación de nombre de la emisora/disco (SNPS/DNPS)

Asignación de un título a una emisora o CD.

1 Reciba/reproduzca la emisora/disco al que desee asignar el título

2 Seleccione el elemento del modo de ajuste del nombre en el modo de Menú

Seleccione "Name Set".

Para saber como seleccionar elementos del control de función, consulte <Control de función> (página 80).

3 Ingrese al modo de ajuste de nombre

Pulse el mando de control por al menos 1 segundo.

4 Escriba el nombre

Tipo de operación	Operación
Mueva el cursor a la posición de introducción de carácter	Pulse el mando de control hacia la derecha o la izquierda.
Seleccione el tipo de carácter*	Pulse el mando de control.
Seleccione los caracteres	Gire el mando de control o púlselo hacia arriba o hacia abajo.

* Cada vez que se pulsa el mando, el tipo de carácter cambiará como se indica en la tabla que sigue a continuación.

Visualización de tipo de carácter	Operación
Alfabeto en mayúscula	
Alfabeto minúscula	
Números y símbolos	
Caracteres especiales (caracteres de Acento)	



• Los caracteres pueden introducirse con los botones numéricos del mando a distancia.

Ejemplo: Si se introduce "DANCE".

Carácter	"D"	"A"	"N"	"C"	"E"				
Botón	[3]	[▶▶]	[2]	[▶▶]	[6]	[▶▶]	[2]	[▶▶]	[3]
Veces que es pulsado	1	1	2	3	3	2			

5 Salga del modo de menú

Pulse el botón [FNC].



- No se puede insertar un título en un medio de archivo de audio.
 - Cuando la operación se detiene durante 10 segundos, se registra el nombre de ese momento y el modo de ajuste de nombre se cierra.
 - Números de memoria
 - FM/AM: 30 emisoras
 - Reproductor de CD interno: 10 discos
 - Cambiador/reproductor de CD externo: Varía de acuerdo con el cambiador/reproductor de CD.
- Remítase al manual del cambiador/reproductor de CD.

- El título de la emisora/CD puede cambiarse mediante el mismo procedimiento utilizado para la asignación de nombre.

Edición del mensaje de apertura

Ajuste del mensaje de apertura que será visualizado al encender la alimentación.

1 Seleccione el elemento de edición del mensaje de apertura cuando se encuentre en el modo de Menú

Seleccione "OPENING MSGE Edit".

Para saber como seleccionar elementos del control de función, consulte <Control de función> (página 80).

2 Ingrese al modo de edición del mensaje de apertura

Pulse el mando de control por al menos 1 segundo.

3 Introduzca el carácter

Tipo de operación	Operación
Mueva el cursor a la posición de introducción de carácter	Pulse el mando de control hacia la derecha o la izquierda.
Seleccione el tipo de carácter*	Pulse el mando de control.
Seleccione los caracteres	Gire el mando de control o púlselo hacia arriba o hacia abajo.

* Cada vez que se pulsa el mando, el tipo de carácter cambiará como se indica en la tabla que sigue a continuación.

Visualización de tipo de carácter	Operación
Alfabeto en mayúscula	
Alfabeto minúscula	
Números y símbolos	

4 Pulse el mando de control durante al menos 2 segundos.

Se visualiza "Completed".

5 Salga del modo de menú

Pulse el botón [FNC].



- El mensaje de apertura se puede visualizar hasta en 8 caracteres.

Funcionamiento de disco de música/archivo de audio

Función del archivo de audio/ fuente CD interna

Selección de música

Selección de la música que desea escuchar del dispositivo o medio actualmente en reproducción.

1 Ingrese en el modo de selección de música Gire el mando de control.

Se visualiza la lista de música.

2 Busque la música

Seleccione el elemento de la categoría mediante el mando de control.

Fuente iPod (cuando el "iPod Mode" se encuentre en "ON") (Función del DPX503)

Tipo de operación	Operación
Desplazamiento entre los elementos	Gire el mando de control.
Selección del elemento	Pulse el mando de control.
Volver al elemento anterior	Pulse el mando de control hacia arriba.
Vuelta al primer elemento	Pulse el mando de control hacia arriba durante al menos 1 segundo.

Otra fuente

Archivo de audio (incluyendo la fuente iPod mientras "iPod Mode" se encuentre en "OFF")

Tipo de operación	Operación
Desplazamiento entre los elementos	Gire el mando de control o púlselo hacia arriba o hacia abajo.
Selección del elemento	Pulse el mando de control hacia la derecha.
Volver al elemento anterior	Pulse el mando de control hacia la izquierda.
Vuelta al primer elemento	Pulse el mando de control hacia la izquierda durante al menos 1 segundo.

Fuente CD interna

Tipo de operación	Operación
Movimiento entre las pistas	Gire el mando de control o púlselo hacia arriba o hacia abajo.
Selección de una pista	Pulse el mando de control.
Regrese a la primera pista	Pulse el mando de control hacia la izquierda durante al menos 1 segundo.

El símbolo "◀" o "▶" que se muestra al lado del elemento visualizado indica que el elemento está precedido o seguido de otro elemento.

Si selecciona una música, ésta se reproduce desde el principio.

Cancelación de la selección de música

Pulse el botón [FNC].



- La selección de música no puede llevarse a cabo durante la reproducción aleatoria.

- Ajuste el modo iPod en "MENU" > "iPod Mode" de <Control de función> (página 80).

Función del mando a distancia

Búsqueda directa de música

Busca la música introduciendo el número de pista.

1 Introduzca el número de música

Pulse los botones numéricos en el mando a distancia.

2 Busque la música

Pulse el botón [◀◀] o [▶▶].

Cancelación de la búsqueda directa de música

Pulse el botón [▶ II].



- No se puede llevar a cabo la búsqueda de música directa durante la reproducción de iPod, medio "Music Editor", Reproducción aleatoria o reproducción con exploración.

Funcionamiento de los cambiadores de disco con el mando a distancia

Búsqueda directa de disco

Busca el disco introduciendo el número de disco.

1 Introduzca el número de disco

Pulse los botones numéricos en el mando a distancia.

2 Busque el disco

Pulse el botón [FM] o [AM].

Cancelación de la búsqueda directa de disco

Pulse el botón [▶ II].



- No se puede llevar a cabo la búsqueda de disco directa durante la reproducción aleatoria o reproducción con exploración.

Funcionamiento de disco de música/archivo de audio

Funcionamiento básico del cambiador de disco (Opcional)

Selección de la fuente cambiador de CD

Pulse el botón [SRC].

Seleccione la visualización "CD Changer".

Para saber como seleccionar el elemento de la fuente, consulte <Botón de selección Alimentación/Fuente> de <Funcionamiento básico> (página 78).

Búsqueda de música

Pulse el mando de control hacia la derecha o la izquierda.

Búsqueda de discos

Pulse el mando de control hacia arriba o hacia abajo.

Reproducción de la canción actual o del disco repetidamente. (Sólo en repetición)

Pulse el botón [4].

Al pulsar repetidamente el botón, selecciona la activación de reproducción con repetición de pista ("Track Repeat ON"), activación de reproducción con repetición de disco ("Disc Repeat ON") y desactivación de la reproducción con repetición ("Repeat OFF") secuencialmente.

Reproduce aleatoriamente la música en el cambiador de disco. (Reproducción aleatoria de revista)

Pulse el botón [6].

Al pulsar este botón cambia el ajuste entre activación de reproducción aleatoria de revista ("Magazine RDM ON") y desactivación ("Magazine RDM OFF").

Funcionamiento del sintonizador

Memoria de presintonización de emisoras

Almacenamiento de emisoras en la memoria.

1 Seleccione la frecuencia que va a guardar en la memoria

Pulse el mando de control hacia la derecha o la izquierda.

2 Ingrese al modo de memoria de preajuste

Seleccione "P.MEM".

Para saber como seleccionar un elemento del Control de función, consulte <Control de función> (página 80).

3 Seleccione el número que va a guardar en la memoria

Gire el mando de control.

4 Especifique el número que va a guardar en la memoria

Pulse el mando de control.

5 Permita que el número especificado se aplique

Pulse el mando de control.

Cancelación del modo de memoria de preajuste

Pulse el botón [FNC].



- Esta función se puede utilizar con el botón [1] — [6]. Consulte <Funcionamiento básico> (página 78).

Sintonización preajustada

Recuperación de las emisoras de la memoria.

1 Ingrese al modo de selección de sintonización preajustada

Gire el mando de control.

Se visualiza una lista de estaciones.

2 Seleccione la estación que desea de la memoria

Gire el mando de control.

3 Recupere la emisora

Pulse el mando de control.

Cancelación de la sintonización preajustada

Pulse el botón [FNC].



- Esta función se puede utilizar con el botón [1] — [6]. Consulte <Funcionamiento básico> (página 78).

Función del mando a distancia

Sintonización de acceso directo

Introducción de la frecuencia y sintonización.

1 Ingrese al modo de sintonización de acceso directo

Pulse el botón [DIRECT] del mando a distancia. Se visualiza "----".

2 Introduzca la frecuencia

Pulse los botones numéricos en el mando a distancia.

Ejemplo:

Frecuencia deseada	Pulse el botón
92,1 MHz (FM)	[0], [9], [2], [1]
810 kHz (AM)	[0], [8], [1], [0]

Cancelación de la sintonización de acceso directo

Pulse el botón [DIRECT] del mando a distancia.



- Puede introducir la frecuencia de banda FM en pasos de un mínimo de 0,1 MHz.

Funcionamiento del sintonizador

Función de DPX503

PTY (Tipo de programa)

Selección del tipo de programa de abajo y búsqueda de una emisora;

Tipo de programa	Visualización	Tipo de programa	Visualización
Charlas	"All Speech"	Jazz	"Jazz"
Música	"All Music"	Clásica	"Classical"
Noticias	"News"	Rhythm & Blues	"Rhythm & Blues"
Información	"Information"	Rhythm & Blues suave	"Soft R & B"
Deportes	"Sports"	Idioma	"Foreign Language"
Habla	"Talk"	Música religiosa	"Religious Music"
Rock	"Rock"	Habla religiosa	"Religious Talk"
Rock clásico	"Classic Rock"	Personalidad	"Personality"
Éxitos para adultos	"Adult Hits"	Público	"Public"
Rock suave	"Soft Rock"	Autoaprendizaje	"College"
Top 40	"Top 40"	Boletín meteorológico	"Weather"
Country	"Country"		
Éxitos de siempre	"Oldies"		
Suave	"Soft"		
Nostalgia	"Nostalgia"		

- Los discursos y la música incluyen los siguientes tipos de programas.
Música: Elemento del caracter negro.
Charlas: Elemento del caracter blanco.

1 Ingrese al modo PTY

Pulse el mando de control.

Se visualiza "PTY Select".

2 Seleccione el tipo de programa

Gire el mando de control o púlselo hacia arriba o hacia abajo.

3 Búsqueda de la emisora del tipo de programa seleccionado

Pulse el mando de control hacia la derecha o la izquierda.

4 Salga del modo PTY

Pulse el mando de control.



- Esta función no puede utilizar durante la recepción de un boletín de tráfico o de AM.
- Cuando no se encuentre el tipo de programa seleccionado, se visualizará "No PTY". Seleccione otro tipo de programa.

Función de DPX503

Preajuste del tipo de programa

Almacenamiento del tipo de programa en la memoria de botón predefinido y recuperación rápida del mismo.

Preajuste del tipo de programa

1 Seleccione el tipo de programa que desea predefinir

Remítase a <PTY (Tipo de programa)> (página 90).

2 Predefina el tipo de programa

Pulse el botón [1] — [6] deseado durante al menos 2 segundos.

Recuperación del tipo de programa predefinido

1 Ingrese al modo PTY

Remítase a <PTY (Tipo de programa)> (página 90).

2 Recupere el tipo de programa

Pulse el botón [1] — [6] deseado.

Función de DPX503

Registro de una emisora como PTY

Registro de un tipo de programa sin datos de PTY.

1 Reciba la estación que desee registrar

2 Seleccione el tipo de programa que va a registrar

Remítase a <PTY (Tipo de programa)> (página 90).

3 Registre el tipo de programa

Pulse el botón [AUTO] durante al menos 2 segundos.

Confirmación del tipo de programa

Pulse el botón [AUTO].

El tipo de programa se visualizará durante 3 segundos.

4 Salga del modo PTY

Pulse el mando de control.

Otras funciones

Activación del código de seguridad



- Puede establecer el Código de seguridad mediante un número de 4 dígitos que elija.
- El Código de seguridad no puede visualizarse. Anote el código de seguridad y guárdelo en un lugar seguro.

1 Seleccione el elemento del código de seguridad durante el modo de Menú (En modo de espera)

Se visualiza "Security Set".

Para saber como seleccionar elementos del control de función, consulte <Control de función> (página 80).

2 Ingrese al modo de Código de seguridad Pulse el mando de control por al menos 1 segundo.

Cuando aparece "Enter", también aparece "SECURITY SET".

3 Ingrese el código de seguridad

Tipo de operación	Operación
Seleccione los dígitos para ingresar	Pulse el mando de control hacia la derecha o la izquierda.
Seleccione los números del Código de seguridad	Gire el mando de control o púlselo hacia arriba o hacia abajo.

4 Confirme el Código de seguridad Pulse el mando de control durante al menos 3 segundos.

Cuando aparece "Re-Enter", también aparece "SECURITY SET".

5 Realice los pasos del 3 al 4 y vuelva a introducir el código de seguridad.

Se visualiza "Approved".

Se activa la función de Código de seguridad.



- Cuando se ha introducido un código equivocado en los pasos 3 a 4, repita el procedimiento a partir del paso 3.

6 Salga del modo de Código de seguridad Pulse el botón [FNC].

Introducción del código de seguridad

El código de seguridad se requiere para utilizar la unidad de audio cuando la unidad se utiliza por primera vez después de haber removido la fuente de energía de la batería o al pulsar el botón de restauración.

1 Encienda la unidad.

2 Realice los pasos del 3 al 4 e introduzca el código de seguridad.

Se visualiza "Approved".

Ahora, puede utilizar la unidad.

Desactivación del Código de seguridad

Para desactivar la función de Código de seguridad.

1 Seleccione el elemento del código de seguridad durante el modo de Menú (En modo de espera)

Seleccione la pantalla "Security Clear".

Para saber como seleccionar elementos del control de función, consulte <Control de función> (página 80).

2 Ingrese al modo de Código de seguridad Pulse el mando de control por al menos 1 segundo.

Cuando aparece "Enter", también aparece "SECURITY CLEAR".

3 Ingrese el código de seguridad

Tipo de operación	Operación
Seleccione los dígitos para ingresar	Pulse el mando de control hacia la derecha o la izquierda.
Seleccione los números del Código de seguridad	Gire el mando de control o púlselo hacia arriba o hacia abajo.

4 Pulse el mando de control durante al menos 3 segundos.

Se visualiza "Clear".

La función de código de seguridad se desactiva.

5 Salga del modo de Código de seguridad Pulse el botón [FNC].



- Si se ingresa un Código de seguridad incorrecto, se muestra "Error". Introduzca el código de seguridad correcto.

Otras funciones

Ajuste manual del reloj

1 Seleccione el elemento de ajuste de reloj durante el modo de Menú

Seleccione la pantalla "Clock Adjust".

Para saber como seleccionar elementos del control de función, consulte <Control de función> (página 80).

2 Ingrese al modo de ajuste del reloj

Pulse el mando de control por al menos 1 segundo.

La indicación horaria parpadea.

3 Ajuste del reloj

Tipo de operación	Operación
Selección del elemento (horas o minutos)	Pulse el mando de control hacia la derecha o la izquierda.
Ajuste cada elemento	Gire el mando de control o púselo hacia arriba o hacia abajo.

4 Salga del modo de ajuste del reloj

Pulse el botón [FNC].



- Puede realizar este ajuste cuando "MENU" > "SYNC" en <Control de función> (página 80) se encuentre ajustado en "OFF". (Solamente DPX503)

Ajuste de fecha

1 Seleccione el elemento de ajuste de la fecha en el modo de Menú

Seleccione la visualización "Date Adjust".

Para saber como seleccionar elementos del control de función, consulte <Control de función> (página 80).

2 Ingrese en el modo de ajuste de la fecha

Pulse el mando de control por al menos 1 segundo.

La visualización de fecha parpadea.

3 Ajuste la fecha

Tipo de operación	Operación
Selección del elemento (mes, día o año)	Pulse el mando de control hacia la derecha o la izquierda.
Ajuste cada elemento	Gire el mando de control o púselo hacia arriba o hacia abajo.

4 Salga del modo de ajuste de fecha

Pulse el botón [FNC].

Ajuste del modo de demostración

ACTIVACIÓN/DESACTIVACIÓN del modo de demostración.

1 Seleccione el elemento de demostración durante el modo de Menú

Seleccione la visualización "DEMO Mode".

Para saber como seleccionar elementos del control de función, consulte <Control de función> (página 80).

2 Ajuste el modo de demostración

Pulse el mando de control durante al menos 2 segundos.

Al pulsar este botón por 2 segundos o más el ajuste cambia entre "ON" y "OFF".

3 Salga del modo de Demostración

Pulse el botón [FNC].

Ajustes de audio

Función de DPX503

Selección de cabina

Puede compensar el retraso del tiempo de llegada del sonido, lo que es ocasionado por la posición de instalación de los altavoces, seleccionando su entorno desde los siguientes tipos auto:

Tipo de auto (posición del altavoz trasero)	Visualización
Sin compensar.	"OFF"
Auto compacto (puerta trasera)	"Compact1"
Auto compacto (carga)	"Compact2"
Auto grande (puerta trasera)	"Full Size Car1"
Auto grande (carga)	"Full Size Car2"
Furgoneta (puerta trasera)	"Wagon1"
Furgoneta (carga)	"Wagon2"
Minivan (puerta trasera)	"Minivan1"
Minivan (carga)	"Minivan2"
Vehículo deportivo utilitario (puerta trasera)	"SUV1"
Vehículo deportivo utilitario (carga)	"SUV2"
Minivan grande (puerta trasera)	"Minivan(Long)1"
Minivan grande (carga)	"Minivan(Long)2"
Recupera el valor ajustado en <DTA> (página 93).	"User"

1 Ingrese en el modo de selección de cabina

Seleccione "SOUND" > "S-SET" > "CABIN".

Para saber como seleccionar un elemento del Control de función, consulte <Control de función> (página 80).

2 Seleccione el tipo de auto

Gire el mando de control y pulse en el centro cuando visualice el elemento deseado.

3 Salga del modo de selección de cabina

Pulse el botón [FNC].



- Puede compensar las distancias con más detalles utilizando la función <DTA> (página 93). En adición, el valor especificado en <DTA> se puede recuperar al seleccionar "User".

Función de DPX503

Ajuste DTA (Alineado Digital de Tiempo)

Ajuste de forma precisa del valor de compensación de la posición del altavoz especificado en <Selección de cabina> (página 93).

1 Ingrese al modo de ajuste DTA

Seleccione "SOUND" > "S-SET" > "DTA".

Para saber como seleccionar un elemento del Control de función, consulte <Control de función> (página 80).

2 Seleccione el altavoz que desea ajustar

Altavoz de ajuste	Visualización
Altavoz delantero	"DTA-Front"
Altavoz trasero	"DTA-Rear"
Subwoofer	"DTA-Sub"

Gire el mando de control y pulse en el centro cuando visualice el elemento deseado.

3 Ajuste el valor de compensación de la posición del altavoz

Gire el mando de control.

Ajuste entre 0 y 14,44 pies.

Consulte el <Apéndice> (página 104) para saber como ajustar el valor de compensación.

4 Salga del modo de ajuste DTA

Pulse el botón [FNC].

Ajustes de audio

Función de DPX503

Ajuste del crossover

Puede establecer un valor de crossover para los altavoces;

Elemento de ajuste	Visualización	Margen
Filtro de paso alto delantero	"HPF-Front"	Pasante/40/60/80/100/120/150/180/220 Hz
Filtro de paso alto trasero	"HPF-Rear"	Pasante/40/60/80/100/120/150/180/220 Hz
Filtro de paso bajo	"LPF"	50/60/80/100/120/Pasante Hz
Nivel de subwoofer	"SUB-W LEVEL"	-15 — +15
Fase del subwoofer	"SW PHASE"	Inversa (180°)/Normal (0°)

1 Ingrese al modo de ajuste de crossover

Seleccione "SOUND" > "S-SET" > "XOVER".

Para saber como seleccionar un elemento del Control de función, consulte <Control de función> (página 80).

2 Seleccione el elemento que desea ajustar

Gire el mando de control y pulse en el centro cuando visualice el elemento deseado.

3 Establezca el valor de crossover

Gire el mando de control.

4 Salga del modo de ajuste de crossover

Pulse el botón [FNC].

Función de DPX503

Control del ecualizador

Puede ajustar los siguientes elementos de control del ecualizador;

Elemento de ajuste	Visualización	Margen
System EQ	"Preset EQ"	"NATURAL" (Natural) / "USER" (Ajuste del usuario) / "ROCK" (Rock) / "POPS" (Pops) / "EASY" (Fácil) / "TOP40" (Top 40) / "JAZZ" (Jazz) / "GAME" (Juegos)
Nivel de graves*	"Bass"	-8 — +8
Nivel de medios*	"Middle"	-8 — +8
Nivel de agudos*	"Treble"	-8 — +8

* Memoria del tono de fuente: El valor de configuración se coloca en la memoria por fuente.



• "USER": Los intervalos seleccionados en último lugar para el nivel de graves, el nivel de medios y el nivel de agudos se vuelven a llamar automáticamente.

1 Ingrese al modo de control del ecualizador

Seleccione "SOUND" > "S-CTRL" > "EQ".

Para saber como seleccionar un elemento del Control de función, consulte <Control de función> (página 80).

2 Seleccione el elemento que desea ajustar

Gire el mando de control.

3 Ajuste el valor

Gire el mando de control.

4 Salga del modo de control del ecualizador

Pulse el botón [FNC].

Función de DPX503

Selección de posición preajustada

De acuerdo a la posición de escucha, seleccione la posición de los siguientes ajustes de tal modo que la posición normal del entorno de sonido se pueda compensar de acuerdo con la posición seleccionada;

Asiento de compensación	Margen
Sin compensar.	"All"
Asiento delantero izquierdo	"FrontLeft"
Asiento delantero derecho	"FrontRight"
Asiento delantero	"FrontAll"
Recupera el valor ajustado en <Ajuste de posición manual> (página 95).	"USER"

1 Ingrese al modo de ajuste de posición

Seleccione "SOUND" > "S-CTRL" > "POSIT" > "P-POS!".

Para saber como seleccionar un elemento del Control de función, consulte <Control de función> (página 80).

2 Seleccione el asiento que desea compensar

Gire el mando de control.

3 Salga del modo de ajuste de posición

Pulse el botón [FNC].

Ajuste de posición manual

Realización de ajustes de precisión del valor especificado en la selección de posición preajustada por altavoz.

1 Ingrese al modo de ajuste de posición

Seleccione "SOUND" > "S-CTRL" > "POSIT" > "M-POSI".

Para saber como seleccionar un elemento del Control de función, consulte <Control de función> (página 80).

2 Seleccione el altavoz que desea ajustar

Elemento	Vista general de ajustes
"Front Lch"	Altavoz delantero izquierdo
"Front Rch"	Altavoz delantero derecho
"Rear Lch"	Altavoz trasero izquierdo
"Rear Rch"	Altavoz trasero derecho
"Sub Lch"	Subwoofer izquierdo
"Sub Rch"	Subwoofer derecho

Gire el mando de control y pulse en el centro cuando visualice el elemento deseado.

3 Ajuste el altavoz

Gire el mando de control.

Ajuste entre 0 y 5,58 pies.

4 Salga del modo de ajuste de posición

Pulse el botón [FNC].



- Al seleccionar "USER" en <Selección de posición preajustada> (página 94), se recuperará el valor ajustado.

Memoria de preajuste de audio

Registro de la configuración del valor en el control de sonido. No es posible borrar la memoria utilizando el botón de restauración.

1 Configuración del control de sonido

Remítase a las operaciones siguientes para configurar el control de sonido.

- Selección de cabina (página 93)
- Ajuste DTA (Alineado digital de tiempo) (página 93)
- Ajuste de crossover (página 94)
- Control de ecualizador (página 94)
- Selección de posición preajustada (página 94)
- Ajuste de posición manual (página 95)

2 Ingrese al modo de memoria del preajuste de audio

Seleccione "SOUND" > "PRESET" > "MEMO".

Para saber como seleccionar un elemento del Control de función, consulte <Control de función> (página 80).

3 Ubicación del preajuste de audio en la memoria

Pulse el mando de control.

Se visualiza "Memory?".

4 Gire el mando de control para seleccionar "YES", y después pulse el mando de control.

Se visualiza "Memory Completed".

5 Salga del modo de preajuste de audio

Pulse el botón [FNC].



- Registre 1 par de memorias de preajuste de audio. No es posible registrarlas en la fuente.
- Cuando pulse el botón de restauración, todas las fuentes tendrán el valor de ajuste que fue registrado.

Ajustes de audio

Función de DPX503

Recuperación del preajuste de audio

Recuperación de la configuración del sonido registrado en <Memoria de preajuste de audio> (página 98).

1 Seleccione la fuente

Para saber como seleccionar el elemento de la fuente, consulte <Botón de selección Alimentación/Fuente> de <Funcionamiento básico> (página 78).

2 Ingrese al modo de recuperación del preajuste de audio

Seleccione "SOUND" > "PRESET" > "RECALL".

Para saber como seleccionar un elemento del Control de función, consulte <Control de función> (página 80).

3 Recupere el preajuste de audio

Pulse el mando de control.

Se visualiza "Recall?".

4 Gire el mando de control para seleccionar "YES", y después pulse el mando de control.

Se visualiza "Recall Completed".

5 Salga del modo de recuperación del preajuste de audio

Pulse el botón [FNC].



- La Memoria de usuario de "SYSTEM Q" en <Control del ecualizador> (página 94) se modifica al valor que fue recuperado.
- El elemento de memoria del tono de la fuente de <Control del ecualizador> (página 94) se modifica al valor que fue recuperado en la fuente seleccionada.

Control de audio

Puede ajustar los siguientes elementos del control de audio;

Elemento de ajuste	Visualización	Margen
Volumen posterior	"REAR VOLUME"	0 — 35
Nivel del Subwoofer*	"SUB-W LEVEL"	-15 — +15
System Q	"NATURAL"/ "USER"/"ROCK"/ "POPS"/"EASY"/ "TOP40"/"JAZZ"/ "GAME"	Natural/Ajuste del usuario/ Rock/Pops/Fácil/Top 40/Jazz/ Juegos
Nivel de graves*	"BASS LEVEL"	-8 — +8
Nivel de medios*	"MIDDLE LEVEL"	-8 — +8
Nivel de agudos*	"TREBLE LEVEL"	-8 — +8
Balance	"BALANCE"	Izquierda 15 — Derecha 15
Fader	"FADER"	Posterior 15 — Frontal 15

Salga del modo de control de audio (modo de control de volumen)

*Función del DPX303.



- Memoria del tono de fuente: Puede ajustar los bajos, medios y los agudos para cada fuente.
- "USER": Los intervalos seleccionados en último lugar para el nivel de graves, el nivel de medios y el nivel de agudos se vuelven a llamar automáticamente.

1 Seleccione la fuente para el ajuste

Para saber como seleccionar el elemento de la fuente, consulte <Botón de selección Alimentación/Fuente> de <Funcionamiento básico> (página 78).

2 Ingrese al modo de control de audio

Pulse el mando [AUD].

3 Seleccione el elemento de audio para el ajuste

Pulse el mando [AUD].

4 Ajuste el elemento de audio

Gire el mando [AUD].

5 Salga del modo de control de audio

Pulse cualquier botón.

Pulse un botón que sea diferente al mando [AUD] o [▲] y el botón [ATT].

Configuración de audio

Puede ajustar el sistema de sonido, tal como sigue;

Elemento de ajuste	Visualización	Margen
Filtro de paso alto delantero*	"HPF-F"	Pasante/40/60/80/100/120/150/180/220 Hz
Filtro de paso alto trasero*	"HPF-R"	Pasante/40/60/80/100/120/150/180/220 Hz
Filtro de paso bajo*	"LPF"	50/60/80/100/120/Pasante Hz
Fase del subwoofer*	"SW PHASE"	Inversa (180°)/Normal (0°)
Compensación de volumen	"VOL-OFFSET"	-8 — ±0 (AUX: -8 — +8)
Sonoridad*	"LOUD"	Desactivado/Activado
Sistema de zona dual	"2 ZONE"	Desactivado/Activado

*Función del DPX303.



- Compensación del volumen: El volumen de cada fuente puede ajustarse de manera diferente del volumen básico.
- Sonoridad: Compensación de los tonos graves y agudos a bajo volumen. (Sólo se compensa el tono grave cuando se selecciona el sintonizador como una fuente.)
- Sistema de zona dual

La fuente principal y la secundaria (entrada auxiliar) emiten separadamente los canales delantero y trasero.

- Ajuste el canal de la fuente secundaria por medio de "Zone2" de <Control de función> (página 80).

- Seleccione la fuente principal con el botón [SRC].

- Ajuste el volumen del canal frontal con el botón de control [AUD].

- Ajuste el volumen del canal trasero por medio de <Control de audio> (página 96) o del botón [▲]/[▼] en el mando a distancia (página 101).

- El control de audio no tiene efecto en la fuente secundaria.

1 Seleccione la fuente para el ajuste

Para saber como seleccionar el elemento de la fuente, consulte <Botón de selección Alimentación/Fuente> de <Funcionamiento básico> (página 78).

2 Ingrese al modo de configuración de audio

Pulse el mando [AUD] durante al menos 1 segundo.

3 Seleccione el elemento de configuración de audio que desea ajustar

Pulse el mando [AUD].

4 Ajuste el elemento de configuración de audio

Gire el mando [AUD].

5 Salga del modo de configuración de audio

Pulse el mando [AUD] durante al menos 1 segundo.

Ajuste de altavoz

Afine de tal manera que el valor del System Q sea el óptimo al establecer el tipo de altavoz como sigue;

Tipo de altavoz	Visualización
Desactivado	"OFF"
Para altavoz de 5 y 4 pulgadas	"5/4inch"
Para altavoz de 6 y 6x9 pulgadas	"6x9/6inch"
Para altavoz OEM	"O.E.M."

1 Ingrese al modo de espera

Seleccione "STANDBY".

Para saber como seleccionar el elemento de la fuente, consulte <Botón de selección Alimentación/Fuente> de <Funcionamiento básico> (página 78).

2 Ingrese al modo de ajuste de altavoz

Pulse el mando [AUD].

Se visualiza "SP SEL".

3 Seleccione el tipo de altavoz

Gire el mando [AUD].

4 Salga del modo de ajuste de altavoz

Pulse el mando [AUD].

Ajustes de audio

Función del DPX303

Memoria de preajuste de audio

Registro de la configuración del valor en el control de sonido. No es posible borrar la memoria utilizando el botón de restauración.

1 Configuración del control de sonido

Remítase a las operaciones siguientes para configurar el control de sonido.

- <Control de audio> (página 96)
- <Configuración de audio> (página 97)

2 Seleccione el elemento de audio preestablecido en el modo de Menú (Otro diferente al modo en espera)

Seleccione la visualización "Audio Preset".

Para saber como seleccionar elementos del control de función, consulte <Control de función> (página 80).

3 Ingrese al modo de preajuste de audio

Pulse el mando de control por al menos 1 segundo.

4 Selección de la memoria preajustada de audio

Gire el mando de control.

Seleccione la visualización "Memory".

5 Especifique si desea incluir el preajuste de audio en memoria

Pulse el mando de control.

Se visualiza "Memory?".

6 Ubicación del preajuste de audio en la memoria

Gire el mando de control para seleccionar "YES", y después pulse el mando de control.

Se visualiza "Memory Completed".

7 Salga del modo de preajuste de audio

Pulse el botón [FNC].



- Registre 1 par de memorias de preajuste de audio. No es posible registrarlas en la fuente.
- Cuando pulse el botón de restauración, todas las fuentes tendrán el valor de ajuste que fue registrado.
- Los elementos siguientes no podrán registrarse.
Volumen, balance, atenuador, sonoridad, compensación de volumen, sistema de zona dual, volumen trasero

Función del DPX303

Recuperación del preajuste de audio

Recuperación de la configuración del sonido registrado en <Memoria de preajuste de audio> (página 98).

1 Seleccione la fuente

Para saber como seleccionar el elemento de la fuente, consulte <Botón de selección Alimentación/Fuente> de <Funcionamiento básico> (página 78).

2 Seleccione el elemento de audio preestablecido en el modo de Menú (Otro diferente al modo en espera)

Seleccione la visualización "Audio Preset".

Para saber como seleccionar elementos del control de función, consulte <Control de función> (página 80).

3 Ingrese al modo de preajuste de audio

Pulse el mando de control por al menos 1 segundo.

4 Seleccione la recuperación del preajuste de audio

Gire el mando de control.

Seleccione la visualización "Recall".

5 Especifique si desea recuperar el preajuste de audio

Pulse el mando de control.

Se visualiza "Recall?".

6 Recupere el preajuste de audio

Gire el mando de control para seleccionar "YES", y después pulse el mando de control.

Se visualiza "Recall Completed".

7 Salga del modo de preajuste de audio

Pulse el botón [FNC].



- La Memoria de usuario de "SYSTEM Q" en <Control de audio> (página 96) se modifica al valor que fue recuperado.
- El elemento de memoria del tono de la fuente de <Control de audio> (página 96) se modifica al valor que fue recuperado en la fuente seleccionada.

Control del sintonizador de radio satélite (Opcional)

Funcionamiento básico

Selección de la fuente de radio satélite

Pulse el botón [SRC].

Seleccione la visualización "SAT"/"SIRIUS"/"XM".

Para saber como seleccionar el elemento de la fuente, consulte <Botón de selección Alimentación/Fuente> de <Funcionamiento básico> (página 78).



- Es necesario registrarse en el proveedor de servicio para recibir el servicio de radio por satélite. Consulte al proveedor del servicio si aparece "CALL ... TO SUBSCRIBE".
- La radio puede tardar algo de tiempo en iniciar la recepción una vez que seleccione la fuente de radio por satélite.
- Si la recepción de la señal falla, se visualizará "Acquiring Signal"/"No Signal".

Cambio del modo de búsqueda

Pulse el botón [AUTO].

Visualización	Operación
"Channel"	Control de búsqueda manual normal.
"Preset"	Búsqueda por orden de los canales de la memoria de preajuste.

Seleccionar el canal

Pulse el mando de control hacia la derecha o la izquierda.

Selección de la banda predefinida

Pulse el mando de control hacia arriba.

Cada vez que presione el mando de control, la banda de presintonización cambiará entre SR1, SR2, SR3 y SR4.

Exploración de canal (solamente SIRIUS)

Pulse el botón [AUTO] durante al menos 2 segundos.

Al pulsar este botón por 2 segundos o más le permite verificar canales individuales por 10 segundos cada uno. Al pulsar este botón otra vez por 2 segundos o más le permite salir de este modo.

Búsqueda de categoría y de canal

Selección del canal y la categoría que desea recibir.

1 Introduzca el modo de búsqueda de categoría y de canal

Pulse el mando de control.

2 Seleccione la categoría

Pulse el mando de control hacia arriba o hacia abajo.

3 Seleccionar el canal

Pulse el mando de control hacia la derecha o la izquierda.

Cancelación del modo de búsqueda de categoría y de canal

Pulse el mando de control.



- No puede buscar el canal hasta que se adquiera la información de categoría.

Función del mando a distancia

Sintonización de acceso directo

Introducción del canal y sintonización.

1 Ingrese al modo de sintonización de acceso directo

Pulse el botón [DIRECT] del mando a distancia.

2 Introduzca el canal

Pulse los botones numéricos.

3 Realice la búsqueda de canal

Pulse el botón [◀◀] o [▶▶].

Cancelación de la sintonización de acceso directo

Pulse el botón [DIRECT] del mando a distancia.



- Si no pulsa ningún botón antes de 10 segundos, el modo de sintonización de acceso directo se cancelará automáticamente.
- Si no puede recibir ninguna señal en el canal de entrada debido a malas condiciones en la onda de radio u otros problemas, aparecerá "Acquiring Signal"/"No Signal".

Control del sintonizador de radio satélite (Opcional)

Memoria de presintonización

Introducción del canal en la memoria.

1 Seleccione el canal que desee introducir en la memoria

Pulse el mando de control hacia la derecha o la izquierda.

2 Ingrese al modo de memoria de preajuste

Seleccione "P.MEM".

Para saber como seleccionar un elemento del Control de función, consulte <Control de función> (página 80).

3 Seleccione el número que va a guardar en la memoria

Gire el mando de control.

4 Especifique el número que va a guardar en la memoria

Pulse el mando de control.

5 Permita que el número especificado se aplique

Pulse el mando de control.

Cancelación del modo de memoria de preajuste

Pulse el botón [FNC].



- Sólo se guarda el número de canal. La información de categoría no se guarda.

Sintonización preajustada

Recuperación de los canales de la memoria.

1 Ingrese al modo de selección de sintonización preajustada

Gire el mando de control.

Se visualiza una lista.

2 Seleccione la estación que desea de la memoria

Gire el mando de control.

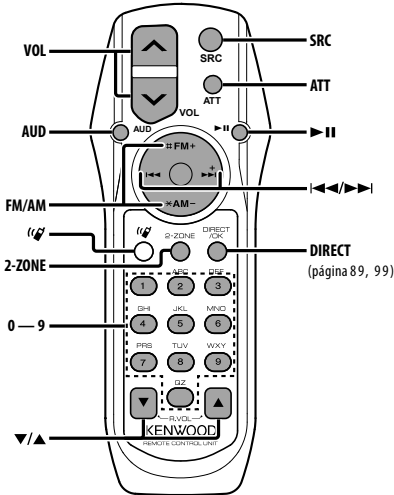
3 Recupere la emisora

Pulse el mando de control.

Cancelación de la sintonización preajustada

Pulse el botón [FNC].

Funciones básicas del mando a distancia



Control general

- Control de volumen [VOL]
- Selección de fuente [SRC]
- Reducción de volumen [ATT]

En el control de audio

- Selección del elemento de audio [AUD]
- Ajusta el elemento de audio [VOL]



- Consulte <Control de audio> (página 96) para el método de funcionamiento, como los procedimientos para el control de audio y otras operaciones.

Control de Zona Dual

Activación y desactivación del sistema de zona dual



[2-ZONE]

Control de volumen del canal trasero



[▲]/[▼]

En fuente de Sintonizador/Radio HD

- Selección de banda [FM]/[AM]
- Selección de emisora [◀◀]/[▶▶]
- Recuperación de emisoras presintonizadas [1] — [6]

En fuente de CD/USB

- Selección de música [◀◀]/[▶▶]
- Selección de Carpeta/Disco [FM]/[AM]
- Pausa/Reproducción [▶ II]

En fuente de sintonización de Radio Satélite

- Selección de banda presintonizada [FM]
- Selección de canal [◀◀]/[▶▶]
- Recuperar canales presintonizados [1] — [6]



Acerca de [📶]

Este botón se utiliza cuando está conectada la CAJA DE MANOS LIBRES Bluetooth. para obtener más información, consulte el manual de instrucciones de la CAJA DE MANOS LIBRES Bluetooth.



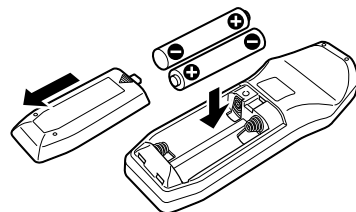
- No deje el mando a distancia en superficies calientes como el salpicadero.

Carga y sustitución de la batería

Utilice dos baterías "AA" / "R6".

Deslice la tapa mientras presiona hacia abajo para quitarla tal y como se muestra.

Inserte las baterías con los polos + y - alineados correctamente, siguiendo la ilustración dentro de la caja.



Apéndice

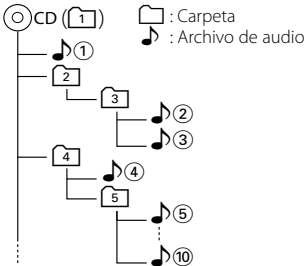
Acerca del archivo de audio

- **Archivos de audio que pueden reproducirse**
AAC-LC (.m4a), MP3 (.mp3), WMA (.wma)
- **Medio de disco reproducible**
CD-R/RW/ROM
- **Formato de archivo de disco reproducible**
ISO 9660 Nivel 1/2, Joliet, Romeo, nombre de archivo largo.
- **Modelo reproducible de dispositivo USB**
DPX503
- **Dispositivo USB reproducible**
USB del tipo de almacenamiento masivo
- **Sistema de archivos del dispositivo USB reproducible**
FAT16, FAT32

Aunque los archivos de audio cumplen los estándares anteriores, puede que no sea posible la reproducción según los tipos o condiciones del medio o dispositivo.

Orden de reproducción del archivo de audio

En el ejemplo del árbol de carpetas/archivos que se muestra a continuación, los archivos se reproducen en el orden de ① a ⑩.



En el sitio web está disponible un manual en línea acerca de los archivos de audio, www.kenwood.com/audiofile/. En este manual en línea, se proporciona información detallada y notas que no se incluyen en este manual. Asegúrese de leer también el manual en línea.



- En este manual se utiliza el término "dispositivo USB" para hacer referencia a las memorias flash y los reproductores de audio digital con terminales USB.
- El término "iPod" que aparece en este manual indica el iPod conectado con el cable de conexión de iPod (accesorio opcional). El iPod conectado con el cable de conexión de iPod puede controlarse desde esta unidad. Los iPods que no pueden conectarse con el cable de conexión son el iPod nano, iPod quinta generación, iPod classic y iPod touch. No se pueden conectar otro tipo de iPods.

Acerca del dispositivo USB

- Si inicia la reproducción después de conectar el iPod, se reproduce primero la música que se ha reproducido en el iPod.
En este caso, se muestra "RESUMING" sin que se muestre un nombre de carpeta, etc. Si se cambia el elemento de exploración se visualizará un título correcto, etc.
- Cuando se conecta el iPod a esta unidad, se muestra "KENWOOD" o "✓" en el iPod para indicar que no puede poner en funcionamiento el iPod.
- Cuando se conecta el dispositivo USB a esta unidad, puede cargarse en caso de que la unidad esté encendida.
- Instale el dispositivo USB en un lugar que no le impida conducir su vehículo correctamente.
- No puede conectar un dispositivo USB por medio de un concentrador USB y un Lector multi tarjetas.
- Realice copias de seguridad de los archivos de audio utilizados con esta unidad. Los archivos de audio podrían borrarse según las condiciones de funcionamiento del dispositivo USB.
No nos haremos responsables de ningún daño que se derive del borrado de los datos almacenados.
- Esta unidad no incluye ningún dispositivo USB. Es necesario que adquiera un dispositivo USB, disponible en tiendas.
- Al conectar el dispositivo USB, se recomienda el uso de CA-U1EX (opción).
No se garantiza una reproducción normal cuando se utilice un cable que no sea el cable USB compatible. Conectar un cable cuya longitud total sea superior a 5 m puede provocar una reproducción anormal.

Acerca de KENWOOD "Music Editor" de aplicación de PC

- "Music Editor" se graba en el CD-ROM adjunto a esta unidad.
- Remítase al manual del usuario grabado en el CD-ROM de instalación y a la Ayuda de "Music Editor" para obtener el método de funcionamiento de "Music Editor".
- La unidad puede reproducir dispositivos de USB creados con "Music Editor".
- Se muestra información acerca de la actualización de "Music Editor" en el sitio web, www.kenwood.com.

Acerca del sintonizador de radio satélite (Opcional)

Esta unidad es compatible con los sintonizadores de Radio satélite emitidos por SIRIUS y XM. Consulte el manual de instrucciones del sintonizador de Radio Satélite.

Acerca del radio HD (Opcional)

Cuando conecta una radio HD, las características de sintonización de la unidad se desactivan y cambian a las características de sintonización de radio HD. Con el sintonizador de radio HD, puede usar las funciones similares del sintonizador. Consulte las características del sintonizador para saber cómo utilizar las funciones.

Para el funcionamiento del KCA-BT100 (Opcional)

Sin embargo, los siguientes métodos de control de la función para esta unidad pueden diferir de lo especificado en el manual de instrucciones; por tal motivo, consulte la instrucción complementaria siguiente.

<Eliminación de un teléfono móvil registrado>

- 1-3. El funcionamiento es el mismo. Consulte el manual de instrucciones de KCA-BT100.
4. Pulse el mando de control.
5. Seleccione "YES" con el mando de control.
6. Pulse el mando de control.
7. Pulse el botón [FNC].

<Sistema del menú>

Para saber como operar el menú, consulte <Control de función> en este manual de instrucciones.

Acerca de la visualización

El estado del teléfono móvil se muestra en la pantalla de estado de esta unidad.

Además, algunas pantallas son diferentes de la descripción dada en el Manual de Instrucciones del KCA-BT100.

Pantallas del Manual de Instrucciones del KCA-BT100	Pantallas actuales en esta unidad
"Disconnect"	"HF Disconnect"
"Connect"	"HF Connect"
"Phone Delete"	"Device Delete"
"Phone Status"	"BT DVC Status"

BT : Muestra el estado de conexión de bluetooth. Este indicador se activa al conectar un teléfono móvil en esta unidad.

Glosario del control de función

• SRC Select

- Configuración del modo de selección de fuente.
- 1 : Muestra los iconos de la fuente para su elección.
 - 2 : Le permite seleccionar fuentes una tras otra.

• Display (Visualización)

Si la unidad no se opera por al menos 5 segundos con "OFF" seleccionado, la pantalla se apaga. Durante un modo de configuración, la pantalla se apagará incluso si han transcurrido 5 segundos.

• ILM Dimmer (atenuador de la iluminación)

- Reduce el brillo de la iluminación de la tecla.
- AUTO: Atenua la iluminación junto con el interruptor de luz del vehículo.
- MNAL: Atenua la iluminación de forma constante.
- OFF: No atenua la iluminación.

• AT COL CHG (Cambio de color de la iluminación de forma automática)

Al seleccionar "iPod" cambia automáticamente la iluminación de la tecla de acuerdo al color del cuerpo del iPod durante la reproducción de la fuente iPod.

- * El color de la iluminación de las teclas es solamente un color recomendado por nuestra compañía. No necesariamente coincide con el color del cuerpo del iPod.

Modelos de iPod compatibles:

iPod (5a generación), iPod classic, iPod touch, iPod nano (1a/2a/3a generación), iPod de quinta generación (iPod con video)

• SWPRE (Cambio de salida de preamplificador)

Cambia la preamplificación entre salida trasera ("Rear") y salida de subwoofer ("Sub-W").

• AMP

Al seleccionar "OFF" se apaga el amplificador incorporado. Al apagar el amplificador incorporado mejora la calidad de sonido de la preamplificación.

• Zone2 (Zona Dual)

Establece el destino (altavoz delantero "Front" o trasero "Rear") de la fuente secundaria (AUX IN) al activar la función de zona dual.

• Supreme

Tecnología para extrapolar y suplementar con algoritmos patentados, el rango de frecuencia alta que se corta al encodificar una velocidad de bits baja (menor a 128 Kbps, frecuencia de muestreo es 44,1 kHz).

La suplementación se optimiza por medio de un formato de compresión (AAC, MP3 o WMA) y se procesa de acuerdo a la velocidad de bits.

El efecto es insignificante con música codificada a una velocidad de transmisión de bits alta, variable o que tenga un rango de frecuencia alta mínimo.

• Receive Mode (Ajuste del modo de recepción)

- Ajusta el modo de recepción del radio HD.
- Auto: Sintoniza automáticamente la transmisión analógica cuando no hay disponible transmisión digital.
- Digital: Sólo emisiones digitales.
- Analog: Sólo emisiones analógicas.

Apéndice

• CD Read

Establece el método de lectura de CD. Cuando no se pueda reproducir un formato especial de CD, ajuste esta función en "2" para forzar la reproducción. Tenga en cuenta que algunos CDs de música puede que no se reproduzcan incluso ajustando a "2". Además, los archivos de audio no podrán reproducirse cuando el ajuste está en "2". Normalmente, mantenga este ajuste en "1".

1 : Distingue automáticamente entre disco de archivos de audio y CD de música cuando se reproduce el disco.

2 : Fuerza la reproducción como CD de música.

• DISP REVERSE (INVERTIR VISUALIZACIÓN)

Cambia la visualización del panel entre positivo y negativo. En adición, puede invertirla junto con la luz interior.

POSI 1 : Muestra el texto en el positivo.

POSI 2 : Cuando la luz interior se encuentra apagada, el texto será visualizado en el positivo; cuando la luz interior se encuentra encendida, el texto será visualizado en el negativo.

NEGA 1 : Muestra el texto en el negativo.

NEGA 2 : Cuando la luz interior se encuentra apagada, el texto será visualizado en el negativo; cuando la luz interior se encuentra encendida, el texto será visualizado en el positivo.

• Cabin (Cabin)

La posición de los altavoces delanteros y traseros podrían no tener la misma distancia desde el centro del interior del vehículo.

Por ejemplo, cuando un tipo de auto tiene el altavoz delantero más cerca al centro del interior del vehículo que el altavoz trasero, escucha un sonido con retraso en el altavoz trasero.

Esta función permite que el sonido del altavoz más cercano al centro del interior del vehículo sea emitido con retraso y compensa el tiempo de llegada del sonido desde los altavoces delanteros y traseros para que se escuchen al mismo tiempo. El tiempo de llegada de sonido se puede compensar simplemente seleccionando el tipo de auto que desea utilizar, debido a que los valores de compensación para los autos típicos han sido preajustados.

Puede especificar los valores de compensación más adecuados para su vehículo utilizando la función <DTA> (página 93).

Puede también compensar las posiciones de escucha (tales como delantera y trasera) de acuerdo a los escenarios especificando las posiciones en <Selección de posición preajustada> (página 94).

• DTA (Alineado Digital de Tiempo)

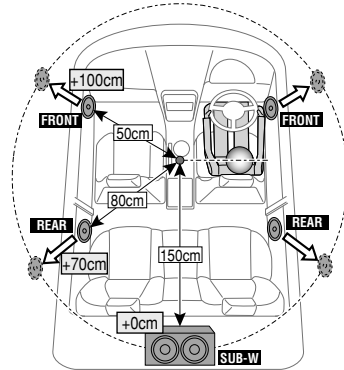
Realiza el ajuste fino del tiempo de retraso para la salida del altavoz especificada en <Selección de cabina> (página 93) para contar con un entorno más adecuado para su vehículo.

Los ajustes del tiempo de retraso se identifican automáticamente y se compensan especificando las distancias de cada altavoz a partir del centro del interior del vehículo.

1 Ajuste las posiciones delantera y trasera y la altura del punto de referencia a la posición de los oídos de la persona que se sienta en el asiento delantero y ajuste las posiciones derecha e izquierda al centro del interior del vehículo.

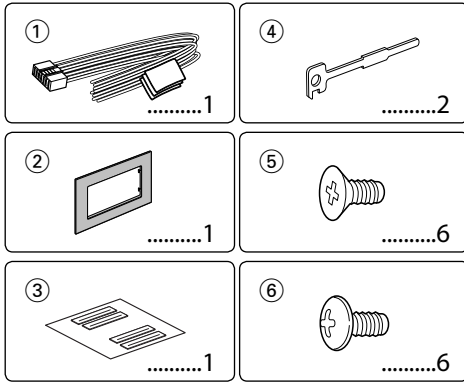
2 Mida las distancias a partir del punto de referencia a los altavoces.

3 Calcule la diferencia de distancia de acuerdo con el altavoz más lejano.



Accesorios/ Procedimiento de instalación

Accesorios



Procedimiento de instalación

1. Para evitar cortocircuitos, retire la llave del encendido y desconecte el terminal ⊖ de la batería.
2. Realice las conexiones de los cables de entrada y salida adecuadas para cada unidad.
3. Conecte los cables del altavoz del mazo de conductores.
4. Conecte los cables del mazo de conductores en el siguiente orden: tierra, batería, encendido.
5. Conecte el conector del mazo de conductores a la unidad.
6. Instale la unidad en su automóvil.
7. Vuelva a conectar el terminal ⊖ de la batería.
8. Pulse el botón de reposición.

▲ ADVERTENCIA

Si conecta el cable de encendido (rojo) y el cable de la batería (amarillo) al chasis del automóvil (tierra), podría producir un cortocircuito y esto a su vez, un incendio. Conecte siempre esos cables a la fuente de alimentación que pasa por la caja de fusibles.



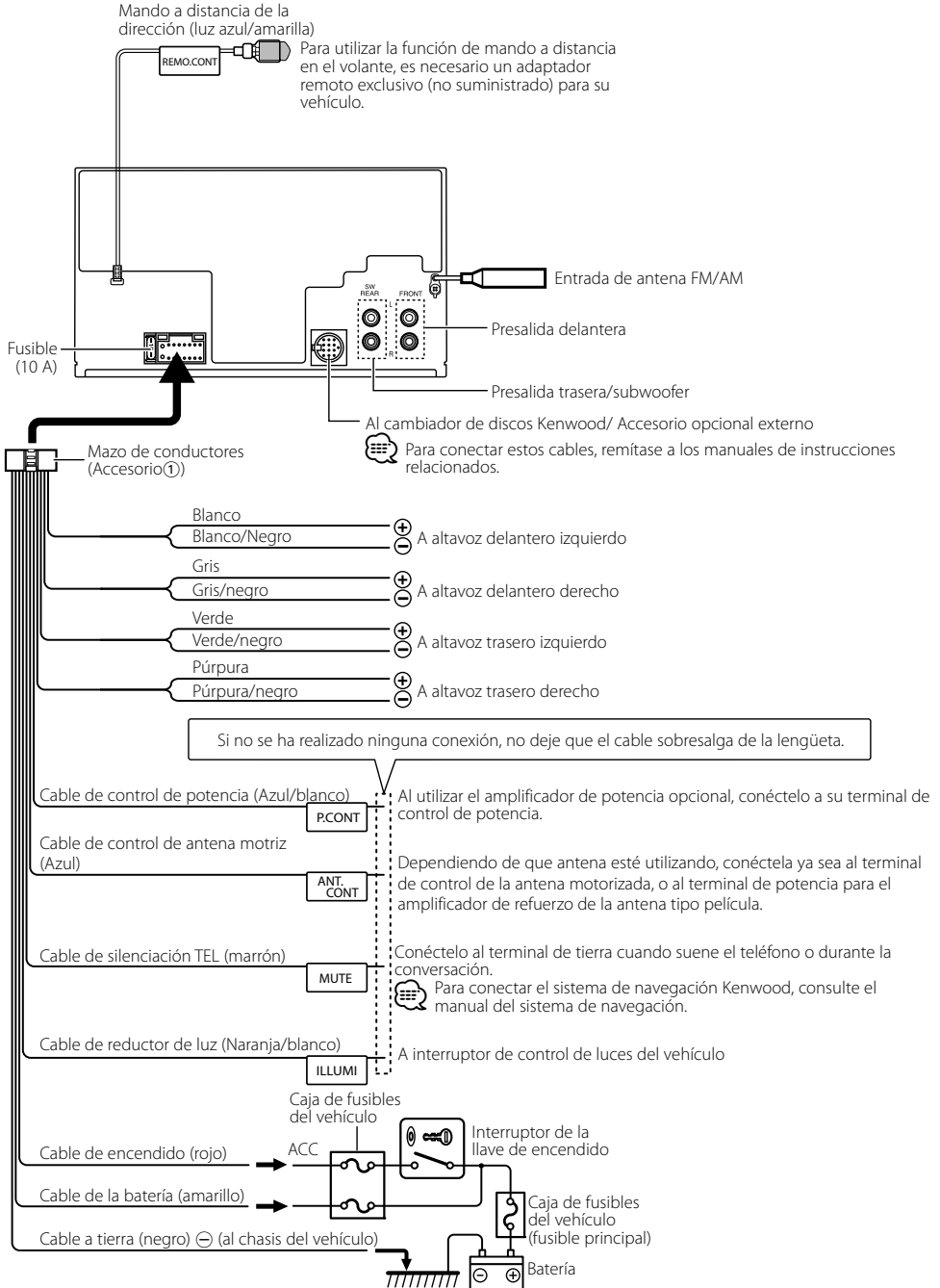
- La instalación y cableado de este producto requiere de habilidad y experiencia. Por motivos de seguridad, deja la labor de instalación y montaje en manos de profesionales.
- Asegúrese de utilizar para la unidad una fuente de alimentación de 12V CC con conexión a tierra negativa.
- No instale la unidad en un sitio expuesto a la luz directa del sol, o excesivamente húmedo o caluroso. Además deberá evitar sitios con mucho polvo o la posibilidad de que se derrame agua sobre ella.

- No utilice sus propios tornillos. Útílese sólo los tornillos incluidos. El uso de tornillos diferentes podría causar daños en la unidad principal.
- Si no se enciende la alimentación (se muestra "Protect"), el cable de altavoz puede que haya sufrido un cortocircuito o que haya tocado el chasis del vehículo y se haya activado la función de protección. Por lo tanto, el cable del altavoz debe ser revisado.
- Si el encendido de su automóvil no está provisto de la posición ACC, conecte los cables de encendido a una fuente de alimentación que pueda conectarse y desconectarse con la llave de encendido. Si conecta el cable de encendido a una fuente de alimentación que recibe un suministro constante de alimentación tales como los cables de la batería, la batería podría descargarse.
- Si la consola tiene una tapa, asegúrese de instalar la unidad de modo que la placa frontal no golpee la tapa al abrir y cerrar.
- Si se funde el fusible, en primer lugar asegúrese de que los cables no hayan causado un cortocircuito, y luego reemplace el fusible usado por otro del mismo régimen.
- Enrolle los cables no conectados con una cinta de vinilo u otro material similar para que queden aislados. Para evitar cortocircuitos, no retire las tapas de los extremos de los cables o terminales no conectados.
- Conecte los cables de los altavoces a cada uno de los terminales correspondientes. La conexión compartida de los cables ⊖ o la conexión a tierra de los mismos a cualquier parte metálica del automóvil podrá dañar la unidad o impedir su correcto funcionamiento.
- Cuando se han conectado solamente dos altavoces al sistema, conecte los conectores ya sea a ambos terminales de salida delanteros, o a ambos terminales de salida traseros (o sea, no mezcle terminales delanteros y traseros). Por ejemplo, si conecta el conector ⊕ del altavoz izquierdo a un terminal de salida delantero, no conecte el conector ⊖ del altavoz derecho a un terminal de salida trasero.
- Después de instalar la unidad, compruebe que las lámparas de freno, las luces intermitentes, el limpiaparabrisas, etc. funcionen satisfactoriamente.
- Instale la unidad en un ángulo de 30° o menos.

Acerca de los reproductores de CD/ cambiadores de discos conectados a esta unidad

Si el reproductor de CD/ cambiador de disco tiene el interruptor "O-N", ajústelo en la posición "N". Las funciones que pueden utilizarse y la información que puede visualizarse diferirán según sean los modelos que se conecten.

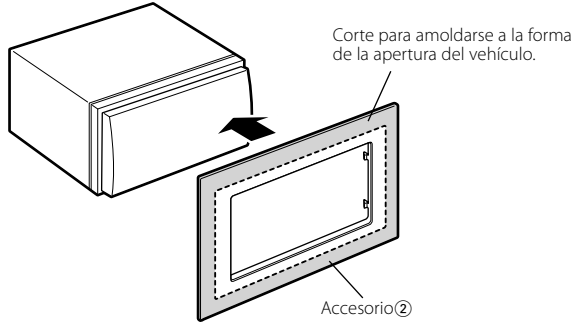
Conexión de cables a los terminales



Instalación del marco

Para General Motors

- 1 Refiérase a la sección <Extracción del marco de goma dura> y retire el marco de goma dura.
- 2 Corte el accesorio ② para moldear la forma de la apertura de la consola central.
- 3 Coloque el accesorio 2 en la unidad.

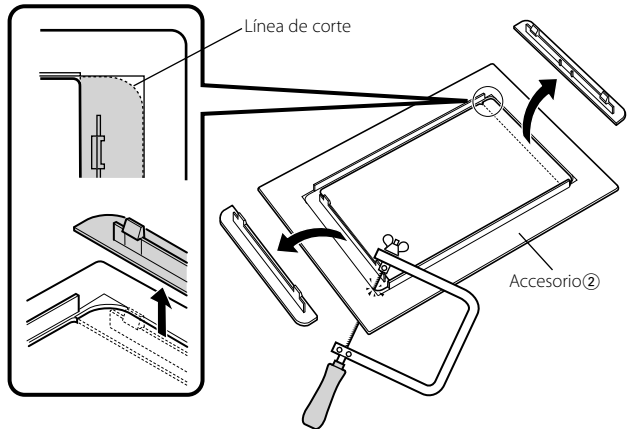


Para TOYOTA/ SCION

- 1 Refiérase a la sección <Extracción del marco de goma dura> y retire el marco de goma dura.
- 2 Corte el accesorio ② como se ilustra.

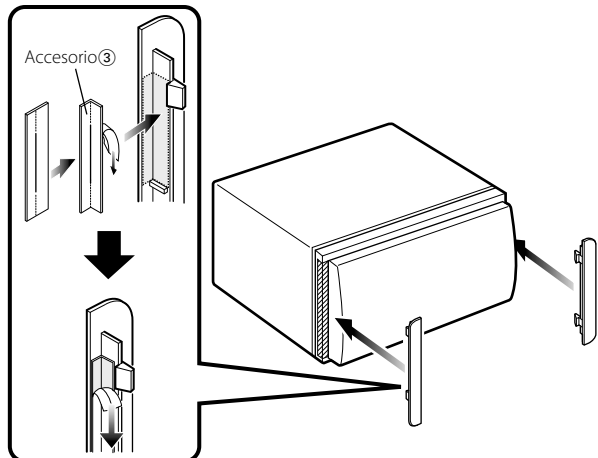


- Al cortar el accesorio ②, asegúrese que encaja con la apertura de la consola central.



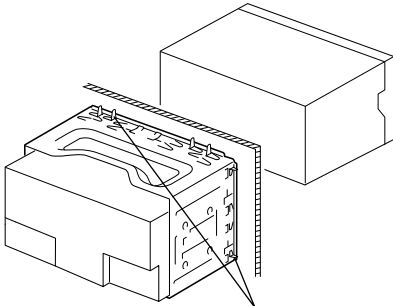
- 3 Doble el adhesivo de dos caras (accesorio ③) junto con la hendidura y colóquelo en el corte del accesorio ② contra la barra central como se ilustra. Utilice 2 piezas del accesorio ③ para 1 corte del accesorio ②.

- 4 Coloque el corte del accesorio ② en la unidad.



Instalación

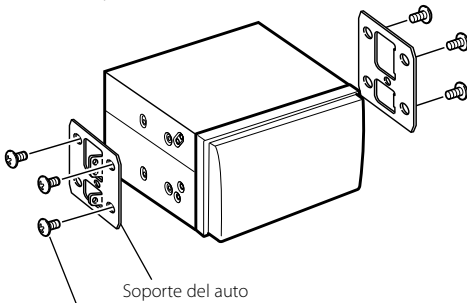
Instalación de la unidad



Doble las lengüetas del manguito de montaje con un destornillador o similar y fjelo.

Instalación en los autos hechos en Japón y en los autos General Motors

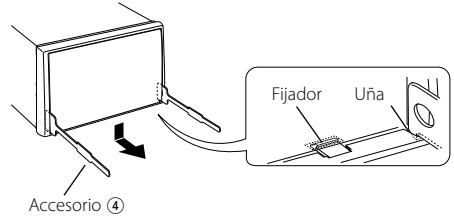
Instale en el soporte del auto utilizando los dos tornillos suministrados (M5 x 6 mm, M5 x 7 mm). Los orificios del soporte del auto que se va a utilizar diferirán dependiendo del modelo del auto.



Accesorio ⑤ (M5 x 7 mm)
o Accesorio ⑥ (M5 x 6 mm)

Extracción del marco de goma dura

- 1 Enganche las uñas de agarre en la herramienta de extracción y quite los dos enganches en el nivel superior. Suba el bastidor y tire de él hacia adelante tal como se indica en la figura.



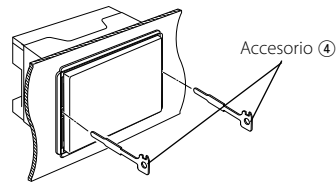
- 2 Al quitar el nivel superior, quite las dos posiciones inferiores.



- Se puede quitar el marco de la parte de abajo de la misma forma.

Desmontaje de la unidad

- 1 Refiérase a la sección <Extracción del marco de goma dura> y retire el marco de goma dura.
- 2 Inserte profundamente las dos herramientas de extracción en las ranuras de cada lado, tal como se muestra en la figura.
- 3 Empuje la herramienta de extracción hacia abajo, mientras presiona hacia adentro, y extraiga la unidad hasta la mitad.



- Preste atención para no lastimarse con las uñas de agarre de la herramienta de extracción.
- 4 Termine de sacar la unidad con las manos, prestando atención para no dejarla caer.

Guía Sobre Localización De Averías

Algunas funciones de esta unidad podrían estar deshabilitadas debido a algunos ajustes realizados en la misma.

- !** **No se puede configurar el subwoofer.**
- No se puede configurar el filtro paso alto.**
- No se puede configurar Fader.**
- No hay ningún efecto de control de audio en AUX.**
- No se puede configurar la posición del subwoofer del ajuste de posición manual.**
 - ▶ La salida de previo no está establecida en el subwoofer. **☞** "MENU" > "SWPRE" de <Control de función> (página 80)
 - ▶ <Salida de subwoofer> de <Funcionamiento básico> (página 78) no se encuentra establecido en Activado.
 - ▶ La función de zona dual está activada. **☞** <Configuración de audio> (página 97)

- !** **No se puede configurar la fase del subwoofer.**
 - ▶ El filtro paso bajo está establecido en Through. **☞** <Configuración de audio> (página 97), <Ajuste del crossover> (página 94)

- !** **No se puede seleccionar el destino de salida de la subfuente en la zona dual.**
- No se puede ajustar el volumen de los altavoces traseros.**
 - ▶ La función de zona dual está desactivada. **☞** <Configuración de audio> (página 97)

- !** **No se puede registrar un código de seguridad..**
- No se puede configurar el control de iluminación de la pantalla.**
 - ▶ El <Ajuste del modo de demostración> (página 92) no está desactivado.

Lo que podría parecer un fallo de funcionamiento de su unidad podría ser simplemente el resultado de un pequeño error de operación o de un defecto de conexión. Antes de acudir al servicio, verifique primero el siguiente cuadro sobre los problemas que se podrían presentar.

General

- ?** **El tono del sensor de toque no suena.**
 - ✓ El terminal de salida de preamplificador está siendo utilizado. **☞** El tono del sensor de toque no puede ser emitido desde el terminal de salida de preamplificador.

- ?** **La iluminación parpadea al operar el mando o el botón.**
 - ✓ Este es el efecto de la iluminación de la tecla. **☞** Ajusta este efecto en "MENU" > "ILM Effect" de <Control de función> (página 80).

- ?** **El efecto de la iluminación de la tecla llevado a cabo junto con el volumen de sonido es pequeño.**
 - ✓ El efecto de la iluminación de la tecla podría ser insuficiente dependiendo del volumen de sonido y de la calidad de sonido.

Fuente de sintonizador

- ?** **Recepción de radio deficiente.**
 - ✓ No está extendida la antena del automóvil. **☞** Extraiga completamente la antena.

Fuente de Disco

- ?** **No se reproduce el disco especificado, sino otro.**
 - ✓ El CD especificado está muy sucio. **☞** Limpie el CD, consultando el método de limpieza de CD de la sección <Manipulación de CDs> (página 77).
 - ✓ El disco está cargado en una ranura diferente de la especificada. **☞** Saque el cartucho de discos y verifique el número del disco especificado.
 - ✓ El disco está muy rayado. **☞** Pruebe otro disco.

En la fuente de archivo de audio

- ?** **El sonido se omite cuando se reproduce un archivo de audio.**
 - ✓ El medio está rayado o sucio. **☞** Limpie el medio, remitiéndose a la limpieza de CD de la sección <Manipulación de CDs> (página 77).
 - ✓ La condición de grabación no es buena. **☞** Grabe el medio de nuevo o utilice otro.
- ?** **Se escucha ruido al llevar a cabo la búsqueda de carpeta.**
 - ✓ Tal vez se produzca ruido si existen carpetas sin archivos de audio continuamente en el medio de reproducción. **☞** Procure no crear carpetas sin archivos de audio.

Guía Sobre Localización De Averías

Los mensajes mostrados a continuación presentan las condiciones de su sistema.

TOC Error:

- No se ha cargado el disco en el cartucho de discos.
- El CD está muy sucio. El CD está boca abajo. El CD está muy rayado.

Error 05: El disco no se puede leer.

Error 77: Por algún motivo, la unidad funciona en forma defectuosa.

- Pulse el botón de restauración en la unidad. Si el código "Error 77" no desaparece, consulte con el centro de servicio más cercano.

Mecha Error/ Mecha ERR:
La unidad de discos tiene algún problema. O la unidad está funcionando incorrectamente por alguna razón.

- Revise el cartucho de discos. Luego, pulse el botón de reposición de la unidad. Si el código "Mecha Error" no desaparece, consulte con el centro de servicio más cercano.

IN (Parpadeo): La sección del reproductor de CD no está funcionando apropiadamente.

- Reinserte el CD. Si el CD no se puede expulsar o si la pantalla continua relampagueando aún cuando el CD ha sido reinsertado apropiadamente, por favor desactive la alimentación y consulte con su centro de servicio más cercano.

Protect: El cable del altavoz tiene un corto circuito o toca el chasis del vehículo y por lo tanto se activa la función de protección.

- Ate o aisle el cable de altavoz debidamente y pulse el botón de reajuste. Si el código "Protect" no desaparece, consulte con el centro de servicio más cercano.

Unsupported File:
Se reproduce un archivo de audio con un formato que no es compatible con esta unidad.

Copy Protect/ Copy Protection/ COPY PRO:
Se reproduce un archivo con protección contra copias.

Read Error: El sistema de archivo del dispositivo USB conectado está roto.

- Copie los archivos y carpetas para el dispositivo USB nuevamente. Si se visualiza todavía el mensaje de error, inicialice el dispositivo USB o use otros dispositivos USB.

No Device: El dispositivo USB está seleccionado como fuente aunque no hay conectado ningún dispositivo USB.

- Cambie la fuente a cualquier otra distinta de USB. Conecte un dispositivo USB y cambie de nuevo a la fuente USB.

N/A Device: Se ha conectado un dispositivo USB no compatible.

No Music Data/ No Music/ Error 15:

- El dispositivo USB conectado no contiene archivos de audio reproducibles.
- Se reprodujeron medios que no tenían datos grabados que la unidad pudiera reproducir.

USB ERROR (Parpadeo):
Podría haberse producido algún problema en el dispositivo USB conectado.

- Quite el dispositivo USB, después gire el interruptor de encendido a ON. Si se repite la misma visualización, utilice otro dispositivo USB.

iPod Error: Se ha producido un error en la conexión del iPod.

- Compruebe que el iPod conectado sea un iPod compatible. Consulte <Acerca del archivo de audio> (página 102) para información concerniente a los iPods que son compatibles.
- Quite el dispositivo USB y, a continuación, vuelva a conectarlo.
- Confirme que el software del iPod es la última versión.

USB REMOVE: Se ha seleccionado el modo de extracción para el dispositivo USB/iPod. Puede extraer el dispositivo USB/iPod con seguridad.

Especificaciones

Sección del sintonizador de FM

- Gama de frecuencias (intervalo 200 kHz)
 - : 87,9 MHz — 107,9 MHz
- Sensibilidad útil (Relación señal/ruido = 30dB)
 - : 9,3 dBf (0,8 μ V/75 Ω)
- Sensibilidad de silenciamiento (Relación señal/ruido = 50dB)
 - : 15,2dBf (1,6 μ V/75 Ω)
- Respuesta de frecuencia (± 3 dB)
 - : 30 Hz – 15 kHz
- Relación señal a ruido (MONO)
 - : 70 dB
- Selectividad (± 400 kHz)
 - : ≥ 80 dB
- Separación estéreo (1 kHz)
 - : 40 dB

Sección del sintonizador de AM

- Gama de frecuencias (intervalo 10 kHz)
 - : 530 kHz – 1700 kHz
- Sensibilidad útil (Relación señal/ruido = 20dB)
 - : 28 dB μ (25 μ V)

Sección del reproductor de CD

- Diodo láser
 - : GaAlAs
- Filtro digital (D/A)
 - : 8 veces sobremuestreo
- Convertidor D/A
 - : 24 Bit
- Velocidad de giro
 - : 500 – 200 rpm (CLV)
- Fluctuación y trémolo
 - : Por debajo del límite medible
- Respuesta de frecuencia (± 1 dB)
 - : 10 Hz – 20 kHz
- Distorsión armónica total (1 kHz)
 - : 0,008 %
- Relación señal a ruido (1 kHz)
 - : 105 dB
- Gama dinámica
 - : 93 dB
- MP3 decodificado
 - : Compatible con MPEG-1/2 Audio Layer-3
- WMA decodificado
 - : Compatible con Windows Media Audio
- Decodificación AAC
 - : Archivos AAC-LC “.m4a”

Interfaz USB (DPX503)

- Estándar USB
 - : USB1.1/ 2.0
- Corriente de alimentación máxima
 - : 500 mA
- Sistema de archivos
 - : FAT16/ 32
- MP3 decodificado
 - : Compatible con MPEG-1/2 Audio Layer-3
- WMA decodificado
 - : Compatible con Windows Media Audio
- Decodificación AAC
 - : Archivos AAC-LC “.m4a”

Sección de audio

- Potencia de salida máxima
 - : 50 W x 4
- Potencia completa de todo el ancho de banda (a menos del 1% THD)
 - : 22 W x 4
- Impedancia del altavoz
 - : 4 – 8 Ω
- Acción tonal
 - Graves : 100 Hz ± 8 dB
 - Registro medio : 1 kHz ± 8 dB
 - Agudos : 10 kHz ± 8 dB
- Nivel de salida de preamplificador/carga (CD)
 - : 2500 mV/10 k Ω
- Impedancia de salida de preamplificador
 - : $\leq 600 \Omega$

Entrada auxiliar

- Respuesta de frecuencia (± 1 dB)
 - : 20 Hz – 20 kHz
- Voltaje de entrada máximo
 - : 1200 mV
- Impedancia de entrada
 - : 100 k Ω

General

- Voltaje de funcionamiento (11 – 16 V admisibles)
 - : 14,4 V
- Consumo
 - : 10 A
- Tamaño de instalación (An x Al x F)
 - : 182 x 112 x 160 mm
 - 7-3/16 x 4-7/16 x 6-5/16 pulgadas
- Peso
 - : 3,5 lbs (1,6 kg)

KENWOOD