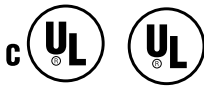


ISLAND VENT HOOD

USE AND CARE INSTALLATION INSTRUCTIONS



DCS-IVH-48
DCS-IVH-36



Dynamic Cooking Systems, Inc.

A MESSAGE TO OUR CUSTOMERS

Thank you for selecting this Dynamic Cooking Systems Professional Island Vent Hood. Because of this appliance's unique features we have developed this Installation and Use Guide. It contains valuable information on how to properly operate and maintain your new appliance for years of safe and enjoyable use.

To help serve you better, please fill out and return the Ownership Registration Card and keep this Guide handy, as it will help answer questions that may arise as you use your new vent hood.

For your convenience, product questions can be answered by a DCS Technical Support Representative by phone:
1-888-396-2665, or Fax: 714-372-7003,

or by mail:
Dynamic Cooking Systems, Inc.
Attention Customer Service,
5800 Skylab Road, Huntington Beach, CA 92647



Dynamic Cooking Systems, Inc.

Before proceeding with installation, please read this installation guide and observe all safety precautions and warnings.

- ✓ **NOTE:** Installation of this DCS Island Vent Hood must comply with all local codes.
- IMPORTANT-** Save these instructions for the Local Electrical Inspector's use.
- INSTALLER-** Please leave these instructions with the unit for the owner.
- OWNER-** Please retain these instructions for future reference.

Table of Contents

Important Safety Instructions	2
Features	3
Planning the Installation	4
Specifications	5
Site Preparation and Installation Guidelines	6
Soffit Installation	7-10
Ducting Information	11
Care and Use	12-14
Wiring Diagram	15
Warranty Information	16
Service	17

Important Safety Instructions

Follow These Precautions

- ⚠ **CAUTION-** TO REDUCE THE RISK OF ELECTRICAL SHOCK OR INJURY TO PERSONS ALL VENT HOODS MUST BE INSTALLED WITH VENTILATORS THAT HAVE BEEN APPROVED FOR USE WITH THE HOOD.

Make up air may be necessary to prevent air flowing down chimney, unsealed door, window, or fire place opening.

- ⚠ **WARNING-** TO REDUCE THE RISK OF FIRE, ELECTRICAL SHOCK, OR INJURY TO PERSONS, OBSERVE THE FOLLOWING GUIDELINES:

- A) Installation and Electrical Wiring Must Be Performed By Qualified Personnel In Accordance With All Applicable Codes & Standards, Including Fire-Rated Construction.
- B) To Prevent Back drafting, sufficient air is needed to maintain proper combustion and safe exhausting of gases through the flue (chimney) of fuel burning equipment. Follow the cooking equipment manufacturers guideline and safety standards such as those published by the National Fire Protection Association (NFPA) and the American Society for Heating, Refrigeration and Air Conditioning Engineers (ASHRAE), and the local code authorities.
- C) Use caution when cutting or drilling into walls or ceilings as not to damage electrical wiring and other hidden utilities.

- ⚠ **CAUTION-** TO REDUCE THE RISK OF FIRE AND TO PROPERLY EXHAUST AIR, BE SURE TO DUCT AIR TO OUTSIDE. -DO NOT VENT EXHAUST AIR INTO SPACES WITHIN WALLS OR CEILING, NOR INTO ATTICS, CRAWL SPACES, OR GARAGES.



NOTE- unit **MUST** be vented to the outside of the building.

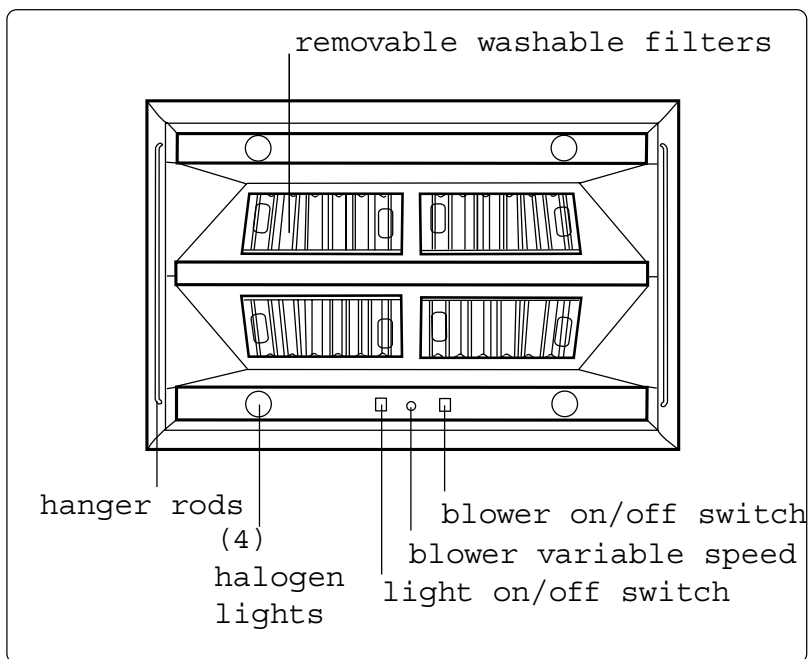


IMPORTANT: Refer to ducting information supplied on Pg. 11

Island Vent Hoods DCS-IVH-48 & DCS-IVH-36

The Dynamic Cooking Systems Island Vent Hood Models; DCS IVH 48 , DCS IVH 36, have been designed with the ultimate in household convenience in mind.

Features include a high capacity, variable speed blower with speed controller, commercial style dishwasher-safe filters, easy to clean inside grease trays and four halogen lights with Hi/Low light switch.



Planning the Installation

Backdraft Damper

We recommend that a backdraft damper be used in all Vent Hood installations. Cold weather installations necessitate the use of a backdraft damper to minimize the flow of cold air into the room. A non-metallic thermal break should also be installed to minimize conduction of outside temperatures through the ductwork. Locate the thermal break as close as possible to where the ducting enters the heated portion of the house.

Planning the Installation

Before beginning installation of the Island Vent Hood and Ventilator, PLAN OUT the entire installation procedure beforehand, considering the following areas:

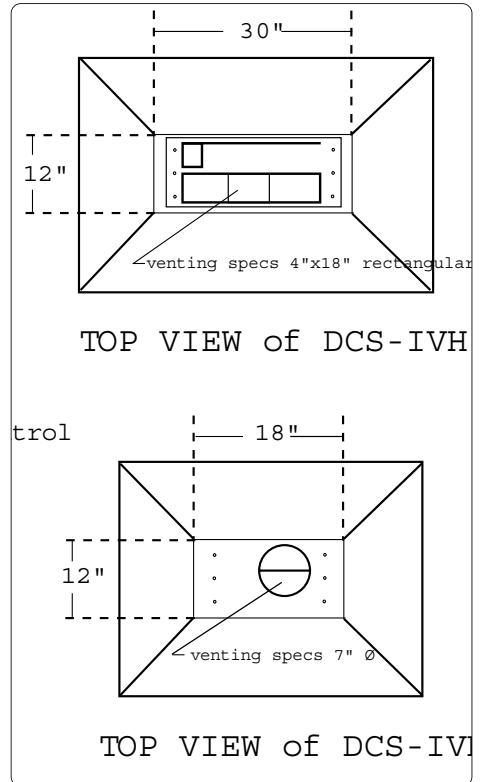
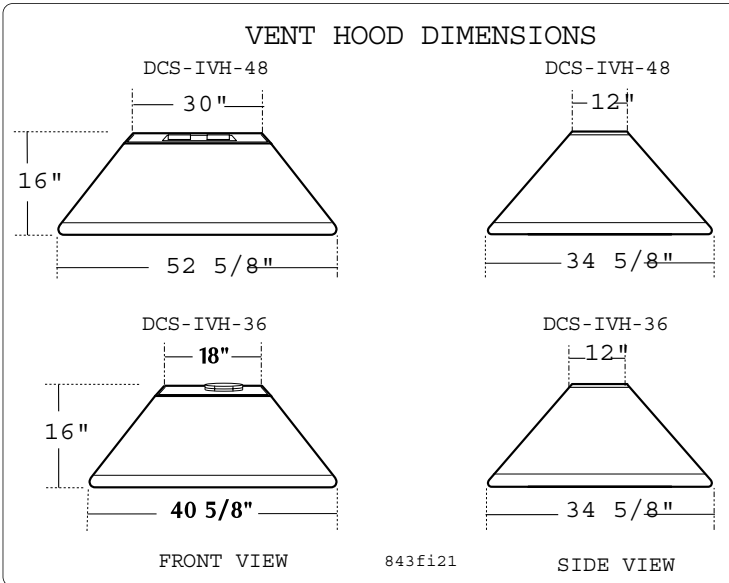
- ✓ HOOD SIZE & LOCATION- (The hood should be as wide or wider than the cooking appliance with the hood being centered on the appliance. Vertically, the bottom of the hood should be between 30"-36" above the appliance cooking surface.)
- ✓ DUCTING- (ducting transitions, air must flow to outside, use of Backdraft damper...etc.)
- ✓ ELECTRICAL REQUIREMENTS- (120 Volts, 60 Hz, 15 AMP Service, Local Codes...etc.)
- ✓ ADEQUATE MOUNTING SURFACES- (To support the weight of the vent hoods, location of ceiling studs, additional support for safe ceiling mounting...etc.)

HANDLING NOTE- This Hood has been inspected prior to shipping to be free of defects. Due to the weight of the Island Vent Hood and Ventilator; and to prevent scratching or denting the unit, we recommend the use of two installers to move, place, and secure the Vent Hood to avoid personal injury or damage to the Hood.

Product and Venting Specifications

Refer to venting specifications below when ordering the duct transition to 10" Ø for 36" Island Vent Hood.

See Page 11 for Ducting Information.



Site Preparation and Installation Guidelines

Site Preparation

You will need to create a secure soffit structure to mount the Island Vent Hood to the ceiling. We suggest using 1 1/2 " by 3 1/2 " wood cut to fit the installation as shown in the following pages. The soffit mounting to the top of the Island Vent Hood will be 10 7/8 " in length for the DCS-IVH-48 and 10 3/4 " for the DCS-IVH-36. These dimensions allow room for a 1/2 drywall duct cover. Do not deviate from these dimensions when choosing a duct cover as the soffit structure must align with the mounting holes on the Island Vent Hood. You are limited to a maximum of 1/2 inch on all sides.

✓ **NOTE:** You will need to determine which type of duct cover will be used before installation and leave enough space around the soffit for a flush mount between the duct cover material and the top of the Island Vent Hood.

⚠ **CAUTION-** When installing the ISLAND VENT HOOD directly to the ceiling, adequate structural supports are **CRITICAL** to secure the unit. The Island Vent Hood is heavy, weighing 128 LBS for the DCS-IVH 48 and 94 LBS for the DCS-IVH-36.

✓ **NOTE:** The soffit height will vary according to the ceiling height.

GENERAL INSTALLATION GUIDELINES:

- 1) Determine the location for installation.
- 2) Determine the centerline of the installation.
- 3) If drywall is installed, cut away enough drywall to expose 2 ceiling joist (1 on each side of the Hood center line)
- 4) Create your soffit structure according to ceiling height and attach soffit plates for DCS-IVH-36 or soffit brackets for DCS-IVH-48 with screws to sides (see the following pages for soffits and construction).
- 5) Attach soffit structure to existing ceiling joist.
- 6) Secure soffit with soffit braces according to model type (see diagrams page 7-10).
- 7) Attach Island Vent Hood to soffit with the six 2 inch mounting screws provided.

Finishing the Installation:

Once the Island Vent Hood has been mounted in place it will be necessary to install the electrical service. All electrical work should be done by a qualified electrician and must conform to all local standards. Refer to the wiring diagram on Pg. 13 for proper hook-up and grounding.

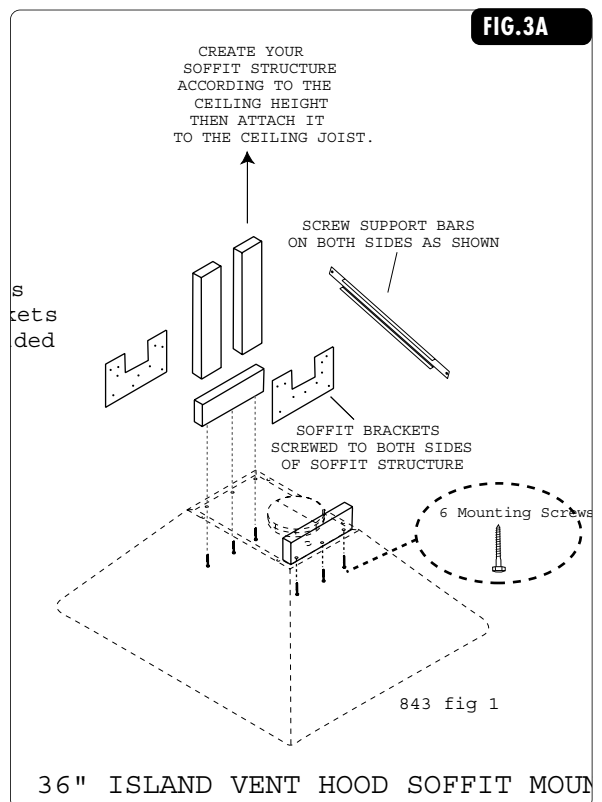
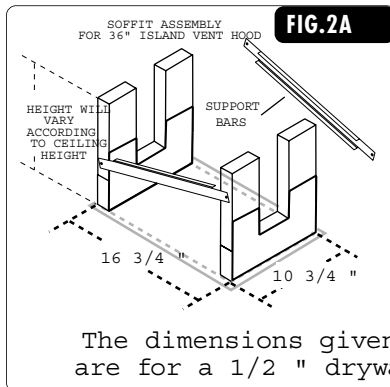
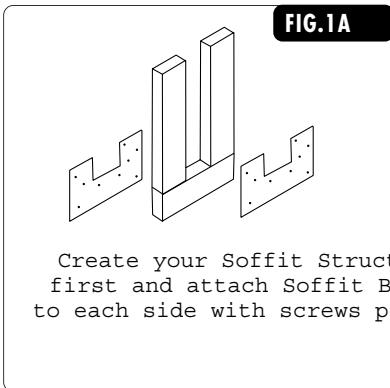
✓ **NOTE:** **Black=live, White=neutral, Green=ground**
Complete the installation by making ductwork connections, testing unit functions, and installing & finishing drywall.

Soffit for DCS-IVH-36 Island Vent Hood

THE DIMENSIONS GIVEN ARE FOR A 1/2 INCH DRYWALL.

- 1) Create a soffit structure and attach the soffit brackets as in figure 1A. Refer to the installation guidelines on Page 6.
- 2) Attach the soffit support bars as shown in figure 2A.
- 3) After securing the soffit structure adequately to the ceiling joist, attach the Island Vent Hood with the mounting screws provided, figure 3A.

Refer to page 6 on finishing the installation.

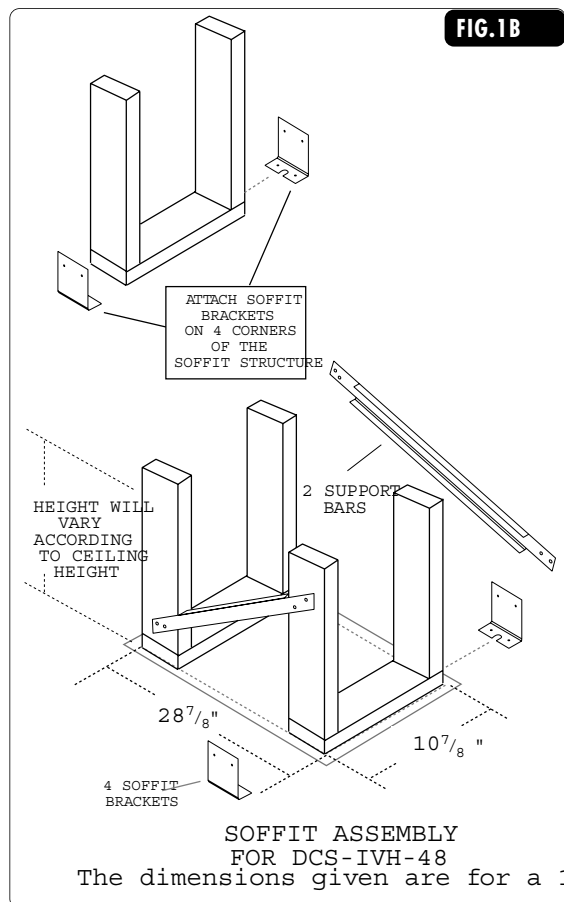


Soffit Installation

DCS-IVH-48 Island Vent Hood

THE DIMENSIONS GIVEN ARE FOR A 1/2 INCH DRYWALL DUCT COVER.

- 1) Create a soffit structure and attach the soffit brackets as illustrated in figure 1B. Refer to the installation guidelines on Page 6.
- 2) Attach the soffit support bars as shown in figure 1B.

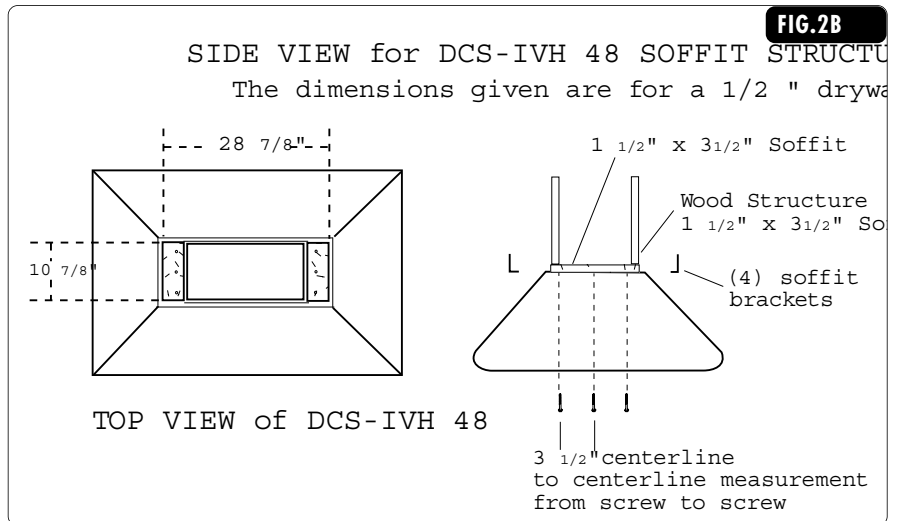


Soffit for DCS-IVH-48 Island Vent Hood

THE DIMENSIONS GIVEN ARE FOR A 1/2 INCH DRYWALL DUCT COVER.

3) After adequately securing the soffit structure to the ceiling joist, attach the Island Vent Hood with the 6 mounting screws provided, figure 2B and 3B shows the location of the mounting screws.

Figure 2B gives soffit dimensions allowing for a 1/2 inch duct cover.



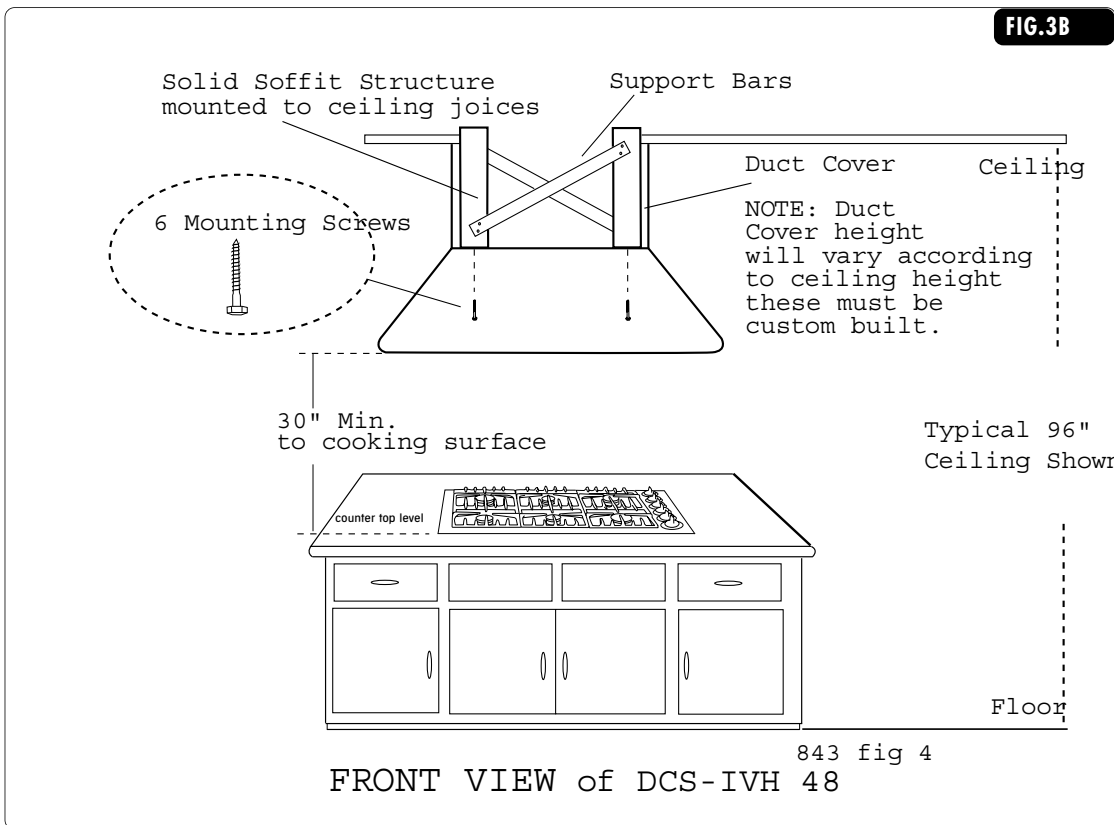
Soffit Installation

Diagrams for DCS-IVH-48 Island Vent Hood

THE DIMENSIONS GIVEN ARE FOR A 1/2 INCH DRYWALL DUCT COVER.

Figure 3B below illustrates a finished soffit structure for the DCS-IVH-48

Refer to page 6 on finishing the installation.



General

When planning the path for ducting to the outside, keep in mind the following guidelines:

- Minimize use of elbows and transitions in ductwork as to maximize air flow to outside of building. An efficient airflow path contributes to the overall efficiency of the Vent Hood.
- DCS recommends the use of "smooth wall" ducting, not flexible ductwork.
- Transitions are required from rectangular to round ducting (see transitions as shown below)
- Duct tape may be used at ducting joints.

DCS-IVH-48 Requirements

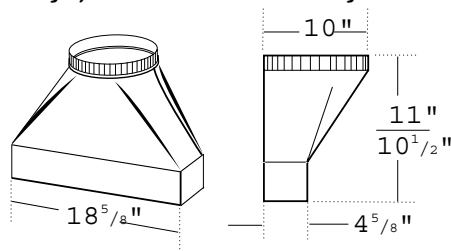
- DCS recommends the use of 10" round ducting which provides 78.6 In.² of surface area.
- See Duct Accessories below on for ratio to 10" transition.
- Alternate duct sizes in rectangular style may be used. If a rectangular duct style is used, the duct must equal at least 78.6 In.² for best results. (**Example**- 3 1/4" x 24" duct = 78 In.²)
- Maintain consistent ducting square area as to avoid reduced air flow. [ie.- With a IVH-48 Hood, connecting a 4"x13" (**52 In.²**) to a 10" round (**78.6 In.²**) is not recommended]

DCS-IVH-36 Requirements

- DCS recommends the use of 7" round ducting which provides 34.7 In.² of surface area.
- Alternate duct sizes in rectangular style may be used. If a rectangular duct style is used, the duct must equal at least 34.7 In.² for best results

Duct Accessories

- Wall Caps and Roof Caps must have free open area equal to duct size diameter.
- Note that a Sealed Back Draft Damper may reduce air delivery.
- Transition for right, left or rear air discharge also available.



Vertical Duct Transition for 48" I

Care And Use

Controls

We recommend you turn your hood on before you begin cooking to establish fresh airflow. After you have finished cooking, let the blower run for a few minutes to clear the air and help keep the kitchen fresh and clean.

Blower

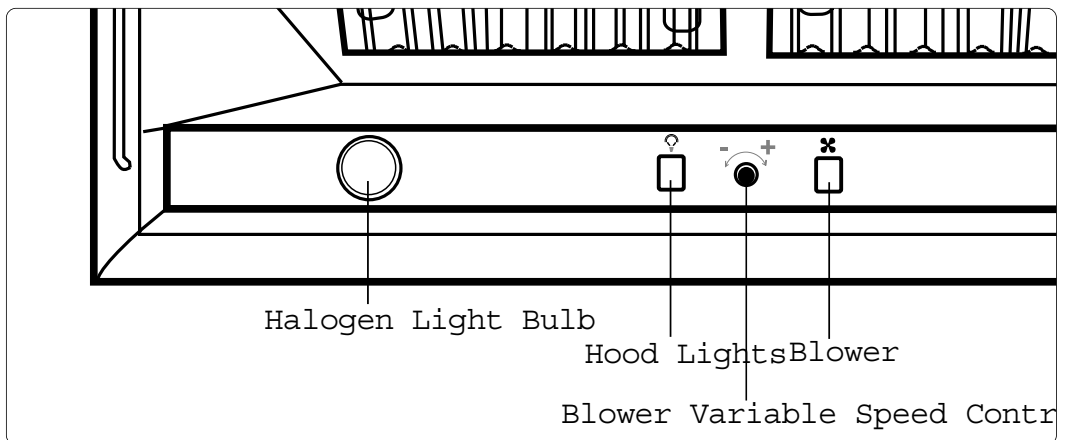
The Blower is operated with 2 controls. The switch adjacent to the speed control turns the blower on/off, while the speed control adjusts the blower speed. Turn the speed knob clockwise to increase and counterclockwise to decrease the blower speed.

Hood Lighting

A single switch controls the 4 halogen lights. The switch controls the brightness of the lights with Hi/Off/Low. Use only 50w Max. Halogen Narrow Flood replacement bulbs.

⚠ Caution! Halogen lamps are constructed of a glass bulb with a pressurized internal filament tube that operates at high temperatures and could be discharged into the fixture enclosure and/or surrounding environment, thereby creating a risk of personal injury of fire. When replacing the bulb, let the bulb cool, and assure that power to light has been turned off. Never allow a hot bulb to come into contact with water.

Do Not Touch the Hood Light Bulbs when they are in use. They may be hot enough to cause injury.



Cleaning the exterior Stainless Steel finish:

When cool the appliance can be cleaned with hot soapy water, rinsed, dried and buffed to a shine with a soft, heavy pile cloth. Always try this first, as it is the mildest form of cleaning.

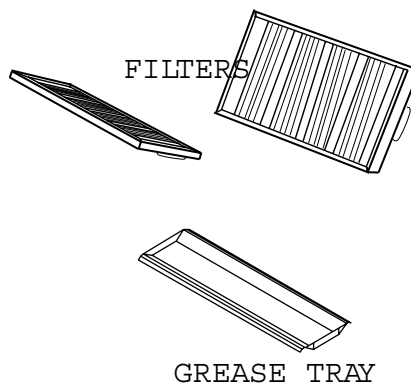
1. Some brands of cleaners are harsher than others. Read their instructions. Try on a small inconspicuous area first.
2. To avoid marring the surface always rub metal finishes in the direction of the polish lines. The cleaner will be more effective when used in the direction of the polish lines.
3. Use only clean sponges, soft cloths, paper towels, plastic non-metal soap pads for cleaning or scouring, use only soap pads with soap still in them, a dry pad can scratch the surface.
4. Be sure to rinse thoroughly and to wipe dry to avoid water marks.

Filters and Grease Trays

Filters should be cleaned frequently in a detergent solution and are dishwasher safe. Empty grease collection tray(s) regularly.

Unplug the Blower Motor before cleaning Ventilator.

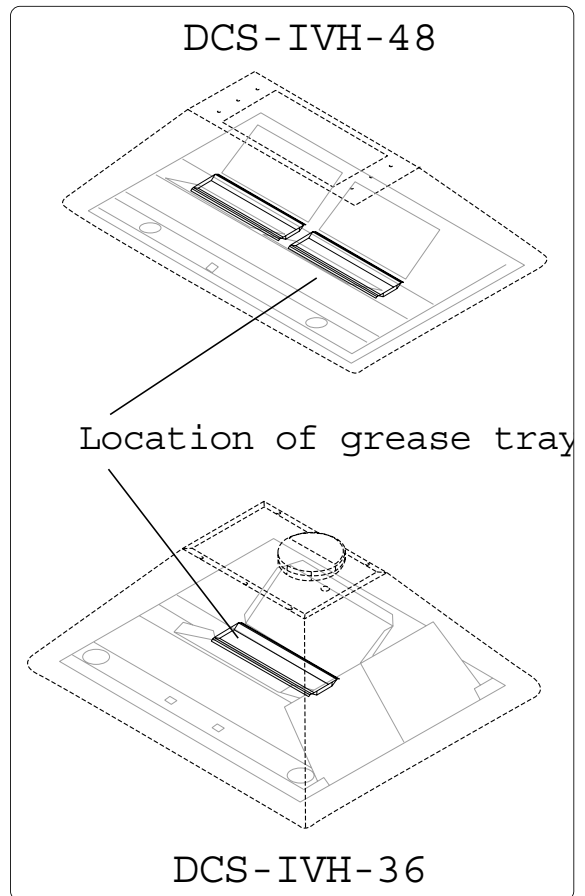
- ▶ Remove filters to access blower motor plug. Vacuum blower to clean.
- ▶ Do not immerse in water.
- ▶ Do not allow and excessive accumulation of grease.
- ▶ Use a mild detergent when cleaning.
- ▶ Do not use harsh abrasives, steel wool pads, or abrasive cloths.



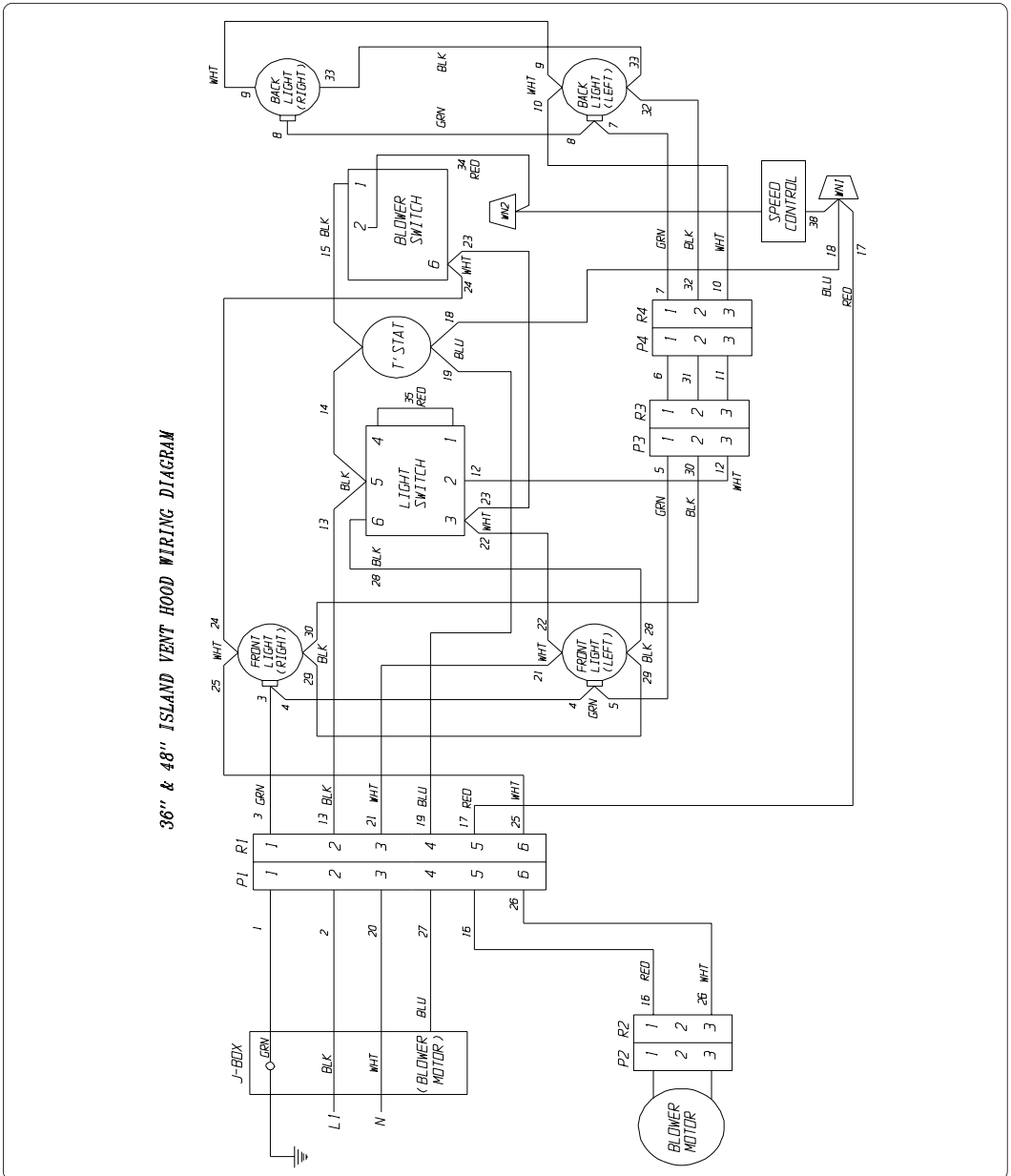
Care And Use

Cleaning the Grease Tray

Remove filter(s) by gently pulling up and out. The grease trays can easily be reached once the filters are removed. Grease collection trays are easily accessible at the center beneath the filter. See illustration below for location.



DCS-IVH-48 & DCS-IVH-36 Island Vent Hood



Warranty Information

Length of Warranty

One (1) Year Full parts and Labor Covers the entire product

Five (5) Years Limited Switches and motor

DCS Will Cover:

All repair labor and parts found to be defective due to materials or workmanship for one full year from date of purchase. Service must be provided by an **Authorized Factory Service Agent** during normal working hours.

DCS Will Not Cover:

- ▶ Installation or start-up
- ▶ General maintenance
- ▶ Shipping damage
- ▶ Service by an unauthorized agency
- ▶ Damage or repairs due to service by an unauthorized agency or the use of unauthorized parts.
- ▶ Service during other than normal working hours
- ▶ Improper installation, such as improper hook-up, etc.
- ▶ Service visit to teach you how to use the appliance; correct the installation; reset circuit breakers or replace home fuses
- ▶ Repairs due to other than normal household use.
- ▶ Damage caused from accident, abuse, alteration, misuse, incorrect installation or installation not in accordance with local codes
- ▶ Units installed in non-residential application such as day care centers, bed and breakfast centers, churches, nursing homes, restaurants, hotels, schools, etc.

This warranty applies to vent hoods used in residential applications; it does not cover their use in commercial situations.

This warranty is for products purchased and retained in the 50 states of the U.S.A., the District of Columbia and Canada. This warranty applies even if you should move during the warranty period. Should the appliance be sold by the original purchaser during the warranty period, the new owner continues to be protected until the expiration date of the original purchaser's warranty period.

This warranty gives you specific legal rights. You may also have other rights which vary from state to state.

How To Obtain Service:

For warranty service, contact your local DCS authorized service agency. Be prepared to provide the Model Number, Serial Number, and date of installation, and a brief description of the problem. If you need assistance in locating the authorized service agency in your area please contact the DCS Consumer Service Department for an authorized service agent near you: (888) 281-5698.

Your satisfaction is of the utmost importance to us. If a problem cannot be resolved to your satisfaction, please write or fax us:

Dynamic Cooking Systems Inc.,
Attention: Consumer Relations,
5800 Skylab Road, Huntington Beach, CA 92647

Fax us at: (714) 372-7003.

As product improvement is an ongoing process at DCS, we reserve the right to change specifications or design without notice.



Dynamic Cooking Systems, Inc.

Litho in USA 8-99
Part No. 10843 rev.2

5800 Skylab Road, Huntington Beach, CA. 92647
Tel: (714) 372-7000 Fax: (714) 372-7001
Parts/Customer Service (888) 281-5698