



***Home Stereo System
with AM/FM Stereo Radio,
and Full Size Stereo Phonograph***

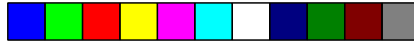


OWNER'S MANUAL

NR101TT



Visit our web site at www.emersonradio.com





CAUTION

TO PREVENT FIRE OR SHOCK HAZARD, DO NOT USE THIS PLUG WITH AN EXTENSION CORD, RECEPTACLE OR OTHER OUTLET UNLESS THE BLADES CAN BE FULLY INSERTED TO PREVENT BLADE EXPOSURE. TO PREVENT FIRE OR SHOCK HAZARD, DO NOT EXPOSE THIS APPLIANCE TO RAIN OR MOISTURE.

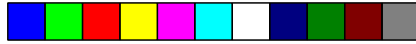
 <p>The lightning flash with arrow-head symbol, within an equilateral triangle is intended to alert the user to the presence of uninsulated 'dangerous voltage' within the product's enclosure that may be of sufficient magnitude to constitute a risk of electric shock to persons.</p>	<p style="text-align: center;">CAUTION RISK OF ELECTRIC SHOCK DO NOT OPEN</p> <p>WARNING: TO REDUCE THE RISK OF ELECTRIC SHOCK DO NOT REMOVE COVER (OR BACK), NO USER SERVICEABLE PARTS INSIDE REFER SERVICING TO QUALIFIED SERVICE PERSONNEL.</p>	 <p>The exclamation point within an equilateral triangle is intended to alert the user to the presence of important operating and maintenance (servicing) instructions in the literature accompanying the appliance.</p>
--	--	---

The Caution Marking maybe located at the bottom enclosure of the apparatus.

IMPORTANT SAFETY INSTRUCTIONS

- 1.) Read these instructions. Keep these instructions. Follow all instructions. Heed all warnings.
- 2.) Do not use this apparatus near water.
- 3.) Clean only with dry cloth.
- 4.) Do not block any ventilation openings. Install in accordance with the manufacturer's instructions.
- 5.) Do not install near any heat sources such as radiators, heat registers, stoves, or other apparatus (including amplifiers) that produce heat.
- 6.) Do not defeat the safety purpose of the polarized or grounding-type plug. A polarized plug has two blades with one wider than the other. A grounding type plug has two blades and a third grounding prong. The wide blade or the third prong is provided for your safety. If the provided plug does not fit into your outlet, consult an electrician for replacement of the obsolete outlet.
- 7.) Protect the power cord from being walked on or pinched particularly at plugs, convenience receptacles, and the point where they exit from the apparatus.
- 8.) Only use attachments / accessories specified by the manufacturer.
- 9.) Unplug this apparatus during lightning storms or when unused for long periods of time.
- 10.) Refer all servicing to qualified service personnel. Servicing is required when the apparatus has been damaged in any way, such as power-supply cord or plug is damaged, liquid has been spilled or objects have fallen into the apparatus, the apparatus has been exposed to rain or moisture, does not operate normally, or has been dropped.
- 11.) This appliance shall not be exposed to dripping or splashing water and no object filled with liquids such as vases shall be placed on the apparatus.
- 12.) Use only with the cart, stand, tripod, bracket, or table specified by the manufacturer, or sold with the apparatus. When a cart is used, use caution when moving the cart/apparatus combination to avoid injury from tip-over.
- 13.) Do not overload wall outlet. Use only power source as indicated.
- 14.) Use replacement parts as specified by the manufacturer.
- 15.) The product may be mounted to a wall only if recommended by the manufacturer.
- 16.) Upon completion of any service or repairs to this product, ask the service technician to perform safety checks.





Thank you..... for purchasing this Emerson Heritage Series home stereo system.

Inside this beautiful real wood veneer cabinet you will find a state of the art audio system that includes a stereo radio, and a full-size, 3-speed stereo phonograph, and matching wide range stereo speakers.

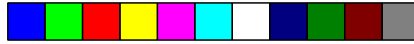
This system has been designed to provide you with many years of enjoyment and trouble-free operation with an absolute minimum of care and maintenance.

Every component in this system was in perfect working order when it left our factory. If you experience any problems with the set up or operation of this system, PLEASE DO NOT RETURN IT TO THE RETAIL STORE.

Please call the Emerson Customer Service Hotline, toll-free, at **800-898-9020**. One of our representatives will attempt to resolve the problem for you. If the problem cannot be resolved by phone you will be instructed on how to receive a replacement unit.

Please read all of the instructions in this manual to make sure you are getting the maximum benefit out of all the features included in this system. And please save this manual for future reference. It includes your warranty and important service information

Once again, thank you for purchasing this Emerson Heritage Series Stereo System.



IMPORTANT NOTES

- Avoid installing this unit in places exposed to direct sunlight or close to heat radiating appliances such as electric heaters, on top of other stereo equipment that radiates too much heat, places lacking ventilation or dusty areas, places subject to constant vibration and/or humid or moist areas.
- Do not attempt to clean this unit with chemical solvents as this might damage the finish. Use a clean dry cloth.
- Operate controls and switches as described in the manual.
- Before turning 'On' the power, make certain that AC power cord is properly installed.
- Store your phono-records in a cool area to avoid damage from heat.
- When moving the set, be sure to first disconnect the AC power cord.

FCC Information

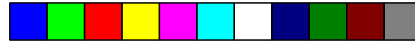
This equipment has been tested and found to comply with the limits for a Class B digital device, pursuant to Part 15 of the FCC Rules. These limits are designed to provide reasonable protection against harmful interference in a residential installation. This equipment generates, uses, and can radiate radio frequency energy and, if not installed and used in accordance with the instructions, may cause harmful interference to radio communications. However, there is no guarantee that interference will not occur in a particular installation. If this equipment does cause harmful interference to radio or television reception, which can be determined by turning the equipment off and on, the user is encouraged to try to correct the interference by one or more of the following measures:

- Reorient or relocate the receiving antenna.
- Increase the separation between the equipment and receiver.
- Connect the equipment into an outlet on a circuit different from that to which the receiver is connected.
- Consult the dealer or an experienced radio/TV technician for help.

This device complies with Part 15 of the FCC Rules. Operation is subject to the following two conditions:

- (1) This device may not cause harmful interference, and
- (2) This device must accept any interference received, including interference that may cause undesired operation.

Changes or modifications not expressly approved by the party responsible for compliance could void the user's authority to operate the equipment.

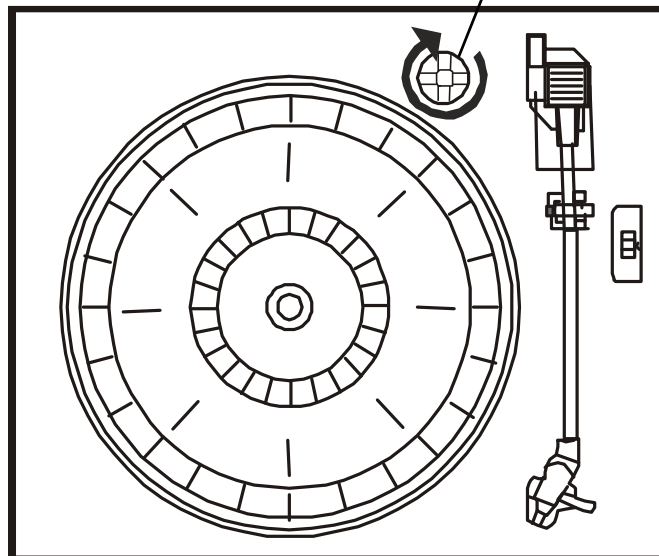


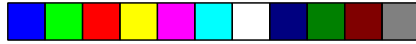
PREPARATION FOR USE

Unpacking And Set Up

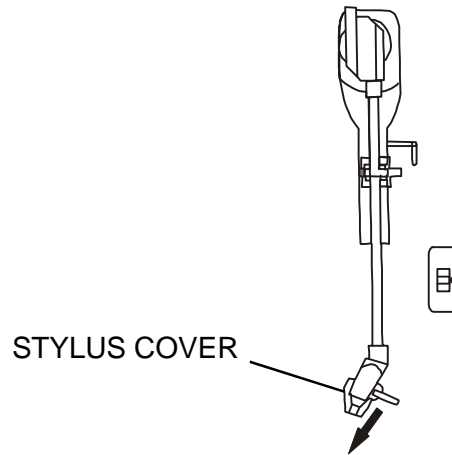
- Carefully remove the unit from the display carton and remove all packing material from the unit.
- The FM Antenna is built in the AC power cord. Unwind the AC power cord and extend it to its full length for best FM reception.
- Note the Serial Number on the back panel of your system and write this Number in the space provided on the Warranty page of this manual.
- Place the unit on a stable, level surface, convenient to an AC outlet, out of direct sunlight, and away from sources of excess heat, dust, moisture, humidity, or strong magnetic fields.
- Raise the lid to expose the phonograph. The phonograph has been secured for shipment with a transit screw. Use a coin or screwdriver to turn the transit screw clockwise. This will allow the turntable to “float”.

TRANSIT SCREW



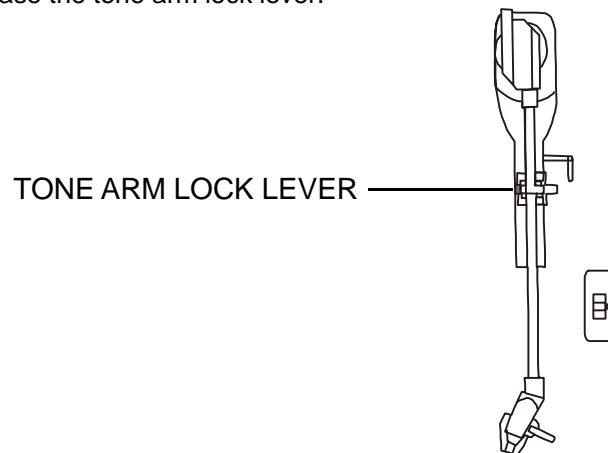


- Remove the opaque white plastic stylus cover from the phonograph stylus by sliding it in the direction of the arrow.

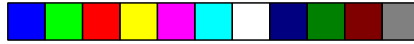


Discard the stylus cover.

- Remove the twist-tie that was used to secure the tone arm during shipment.
- Release the tone arm lock lever.



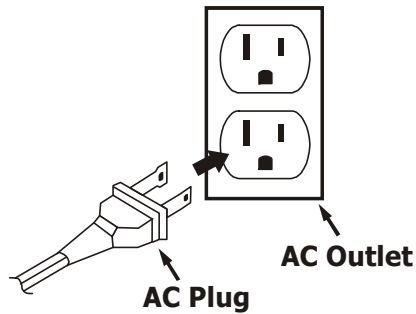
- Connect the plug to your AC outlet.



Power Source

This product is designed to operate on normal 120V 60Hz AC only. Attempting to operate this system from any other power source may cause damage to the system, and such damage is not covered by your warranty.

Note: You will note that this system is equipped with a polarized AC power plug having one blade wider than the other. This is a safety feature. If this plug does not fit into your existing AC outlet, do not try to defeat this safety feature by filing the wide blade to make it fit into your outlet. If this plug will not fit into your outlet, you probably have an out-dated non-polarized AC outlet. You should have your outlet changed by a qualified licensed electrician.



Protect Your Furniture

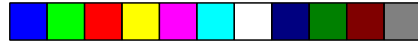
This model is equipped with non-skid rubber 'feet' to prevent the product from moving when you operate the controls. These 'feet' are made from non-migrating rubber material specially formulated to avoid leaving any marks or stains on your furniture. However certain types of oil based furniture polishes, wood preservatives, or cleaning sprays may cause the rubber 'feet' to soften, and leave marks or a rubber residue on the furniture. To prevent any damage to your furniture we strongly recommend that you purchase small self-adhesive felt pads, available at hardware stores and home improvement centers everywhere, and apply these pads to the bottom of the rubber 'feet' before you place the product on fine wooden furniture.

IMPORTANT: Raising And Lowering The Lid

To open the lid, raise it as far as it will go until the lid support bracket 'locks' in the open position.

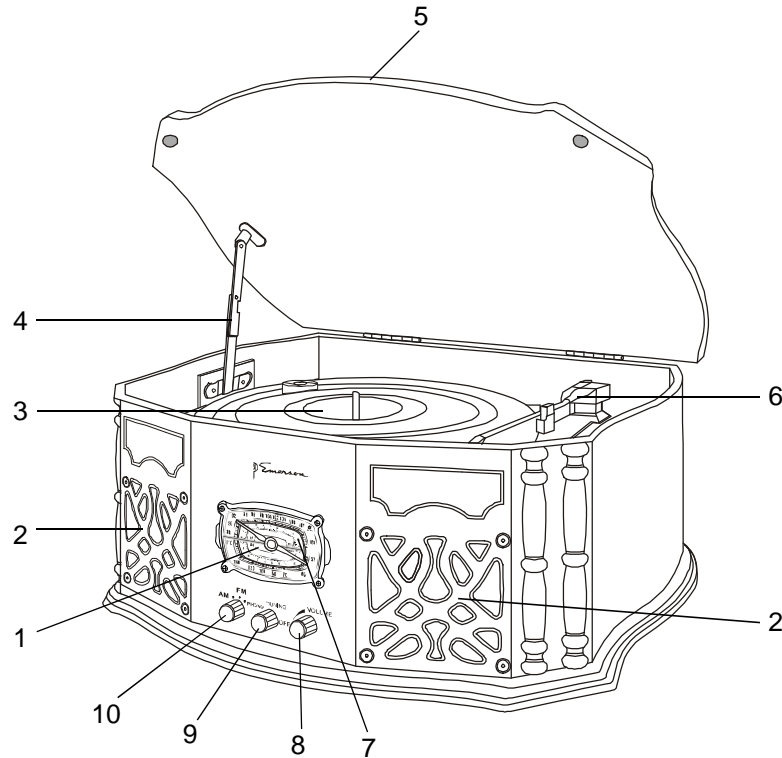
To close the lid, lift it upward slightly until the lid support bracket 'unlocks', and then gently lower the lid.

TO AVOID DAMAGING THE CABINET OR THE LID, NEVER FORCE THE LID CLOSED. ALWAYS RAISE THE LID TO RELEASE THE LID SUPPORT BRACKET.

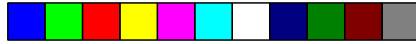


LOCATION OF CONTROLS AND INDICATORS

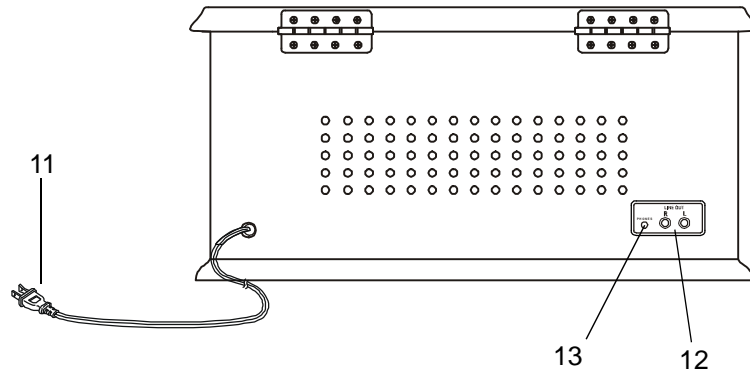
Front Panel



- 1.) **AM/FM** Radio Dial Scale.
- 2.) Speakers.
- 3.) Turntable.
- 4.) Phonograph Lid Support Bracket.
- 5.) Phonograph Lid.
- 6.) Tone Arm.
- 7.) **FM ST.** Indicator.
- 8.) Power On/**OFF-VOLUME** Control.
- 9.) **TUNING** Control.
- 10.) **AM/FM/PHONO** Selector Switch.



Back Panel

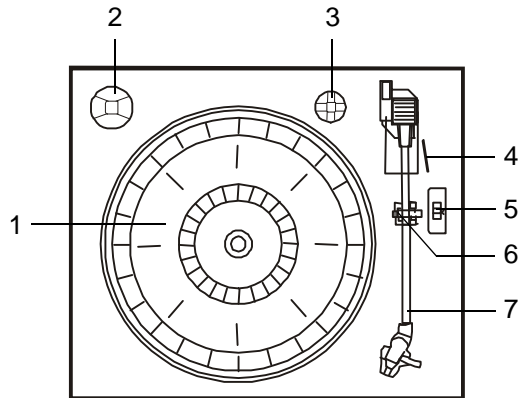


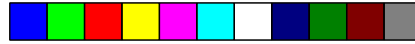
- 11.) AC Power Cord.
- 12.) **LINE OUT R/L** Jacks.
- 13.) **PHONES** (Headphone) Jack.



Phonograph

- 1.) Turntable.
- 2.) 45 rpm Adapter.
- 3.) Transit Screw.
- 4.) Cue Lever.
- 5.) Speed Selector (**33/45/78** rpm)
- 6.) Tone Arm Lock.
- 7.) Tone Arm with Stylus.





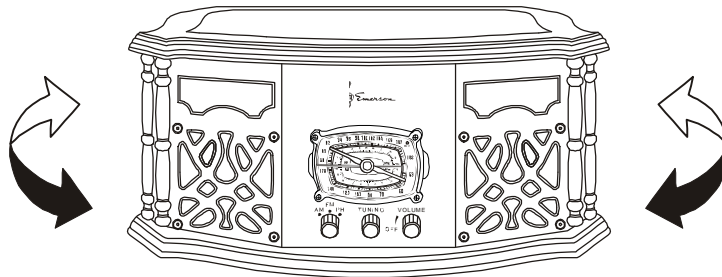
OPERATING INSTRUCTIONS

Listening To The Radio

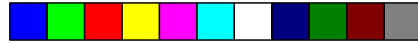
- 1.) To turn the system 'On', rotate the **OFF-VOLUME** control clockwise until a 'click' is heard, and set the Volume to a low level.
- 2.) Set the function selector (**AM/FM/PHONO**) to the **AM** or **FM** band as desired. The dial scale light comes 'On'.
- 3.) Rotate the **TUNING** control to tune to the desired radio station. If you tune to a strong FM Stereo station the **FM ST.** indicator will light and reception will be in stereo. If you tune to a weaker FM station, the reception will automatically switch to mono.
- 4.) Adjust the **OFF-VOLUME** control to the desired level.
- 5.) When you are finished listening turn the **OFF-VOLUME** control counter clockwise until a 'click' is heard. The tuning dial light go 'Off'.

Antenna Information

The AM bar antenna is inside the cabinet. If AM reception is unsatisfactory try repositioning the cabinet slightly until the internal antenna is picking up the strongest signal.



The FM antenna is built in the AC power cord. If necessary adjust the position and direction of the AC power cord until you find the position that provides the best reception.

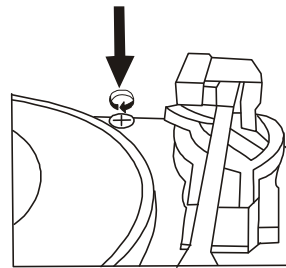


Playing Records

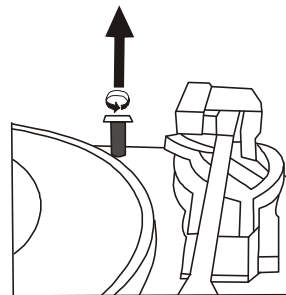
IMPORTANT!!

- TO PROTECT THE TURNTABLE FROM DAMAGE DURING TRANSPORTATION, A SILVER TRANSIT SCREW IS LOCATED AT THE UPPER RIGHT CORNER OF THE TURNTABLE PLATFORM.

- BEFORE PLAYING, PLEASE USE A SCREWDRIVER TO TURN THE TRANSIT SCREW IN CLOCKWISE DIRECTION (SCREW GOING DOWN) COMPLETELY TO UNLOCK THE TURNTABLE.



- TO LOCK THE TURNTABLE AGAIN FOR TRANSPORTATION, PLEASE TURN THE SCREW IN COUNTER-CLOCKWISE DIRECTION.



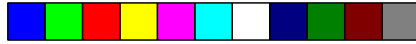


Playing Records

This system includes a full-size, 3-speed, belt-drive turntable. You can play **33**, **45**, and **78** rpm records.

- 1.) Turn the **OFF-VOLUME** control clockwise until a 'click' is heard, and set the Volume to a low level.
- 2.) Set the function (**AM/FM/PHONO**) selector to the **PHONO** position.
- 3.) Make sure that you have removed the stylus cover from the stylus and have released the Tone Arm Lock that secured the tone arm to the tone arm rest.
- 4.) Set the turntable Speed Selector to the appropriate speed, **33**, **45**, or **78** rpm. If you are playing 45 rpm 'singles', place the 45 rpm adapter on the center spindle.
- 5.) Place your record on the center spindle.
- 6.) Raise the Cue lever to lift the Tone Arm off its rest. Move the Tone Arm to the edge of the record. The turntable starts automatically. Use the Cue lever to gently lower the Tone Arm onto the record.
- 7.) Adjust the **OFF-VOLUME** control to the desired level.
- 8.) When the Tone Arm reaches the end of the record it automatically returns to the tone arm rest and the record player stops.
- 9.) To turn the system 'Off', rotate the **OFF-VOLUME** control counter clockwise until a 'click' is heard.

Note: Do not turn or stop the turntable manually. Moving or jarring the Turntable without securing the tone arm clamp could result in damage to the Tone Arm.

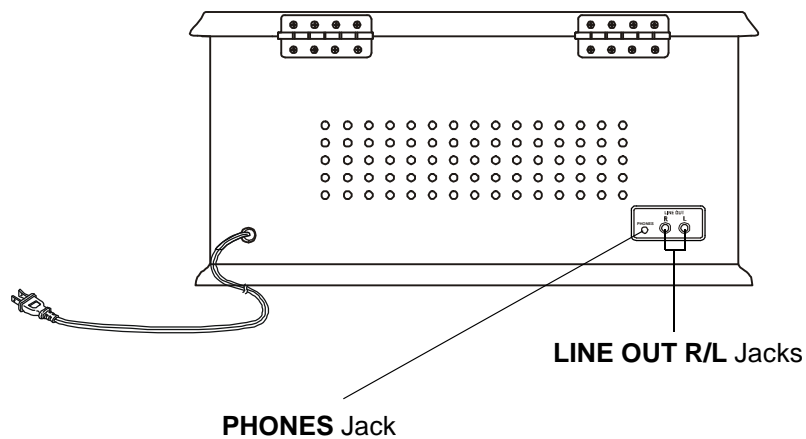


LINE OUT R/L Jacks

This system includes a set of **LINE OUT R/L** jacks which allow you to record from the Radio or Phonograph of this system to an external recording device such as a cassette recorder, Mini-Disc, etc.

Connect the **LINE OUT R/L** jacks of this system to the Record Input jacks of your external recording device. Connection cables are not included.

Refer to the instructions supplied with your external recording device for proper connection and operation. Operate the Radio or Phonograph of this system as described in this manual. The Radio or Phonograph of this system will be recorded directly onto your external recording device.

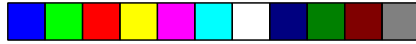


Using Stereo Headphones (Not Included)

Connect a set of stereo headphones with a 3.5mm mini-plug to the **PHONES** jack on the back panel.

Before putting on the headphones always set the **OFF-VOLUME** control to a low level. Then put the headphones on and gradually increase the Volume to a comfortable listening level. The built-in speakers automatically shut off when headphones are connected to the **PHONES** jack.





CARE AND MAINTENANCE

Care of the Cabinet

You should care for the cabinet as you would care for any piece of fine furniture. When the cabinet becomes dusty wipe it with a soft, non-abrasive dust cloth. If the cabinet becomes smudged with fingerprints you may use any good quality commercial dusting and polishing spray cleaner, however avoid spraying the plastic or metal parts of this system. We recommend that you spray the cleaner on your dust cloth, not directly on the cabinet, to avoid getting any of the spray on the plastic or metal parts.

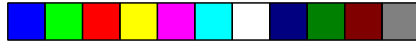


TO FIND THE LOCATION AND PHONE NUMBER OF YOUR NEAREST SERVICE CENTER PERMITTED TO PERFORM WARRANTY...

CALL TOLL FREE: 1-800-695-0098

FOR ADDITIONAL SET-UP OR OPERATING ASSISTANCE
PLEASE CALL:
1-800-898-9020

FOR CUSTOMER SERVICE, PLEASE WRITE TO:
Emerson Radio Corp.,
Consumer Affairs Dept.,
5101 Statesman Drive,
Irving, TX 75063.



LIMITED WARRANTY

Emerson Radio Corp. warrants manufacturing defects in original material, including original parts and workmanship, under normal use and conditions, for a period of ninety (90) days from the date of original purchase in the U.S. With your dated proof of purchase, we will provide repair service at no charge for labor and parts at an authorized Depot Repair Facility, or replace the product in our discretion. If your system fails to operate properly during the warranty period due to a manufacturing defect, **do not return the system to the retail store.** Please call the Emerson Customer Service Hotline toll free at 1-800-898-9020. We will diagnose the problem and instruct you how to have your system repaired or replaced, at our discretion.

This warranty does not cover damage from negligence, misuse, abuse, accident, failure to follow operating instructions, commercial use, rental, repairs by an unauthorized facility, or products purchased, used, serviced or damaged outside of the United States.

THIS WARRANTY GIVES YOU SPECIFIC LEGAL RIGHTS, AND YOU MAY ALSO HAVE OTHER RIGHTS WHICH VARY FROM STATE TO STATE.

AU898R

The Serial Number of your system is located on a label on the back panel. Please take a moment now to locate the Serial Number and write the number in the space provided below.

You may be asked to provide this number when calling for product service.

Model Number: NR101TT

Serial Number: _____



EMERSON
Part No. 16-2995
707-02

Printed in China