

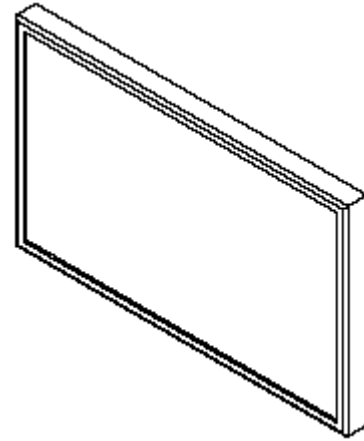
## P42XP10-BK Installation Guide

### 42" Plasma Monitor

Rev 1.2

#### Contents:

Product Description and Notes	Page 1
Tilt Angle and Rotation	Page 1
Ventilation Requirements	Page 2
Display Dimensions	
Front, Top, Bottom & Right Side	Page 3
Rear	Page 4
Cosmetic Colors	Page 4
Display Dimensions w/Optional Speakers and Stand	Page 5
Optional Stand Dimensions	Page 6
Optional Speaker Dimensions	Page 7
Dimensions w/Optional Wall Mount	Page 8
Connections	Page 9
Control Codes	Page 10



#### Product Description

Type: Plasma Monitor  
Resolution: 1024x768  
Aspect Ratio: 16:9

Screen Surface: Anti-Reflective  
Dimensions: 40.79"(W) x 25.36"(H) x 5.00"(D)  
Weight: 81.6 lbs  
FCC: Class B

#### Notes

This document is intended to be used as a reference guide to supply useful information for a design or installation. It is not intended to be a step-by step procedure for installation.

Any ceilings or walls must be strong enough to support the monitor and the installation must be in accordance with any local building codes. All mounts should make secure contact to wood studs.

4:3 sources can be displayed on the 16:9 screen in either normal aspect ratio with bars on the left or right, or stretched horizontally to fill the screen using the menus (see "Aspect Modes" in menus and user manual).

Distances are in inches, for millimeters multiply by 25.4.

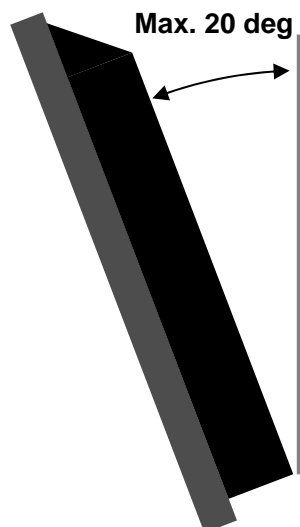
Distances may vary  $\pm 5\%$ .

#### Tilt Angle and Rotation

Below are the maximum angles that the monitor can be tilted in the landscape position only.

Do not install in the portrait position.

Landscape 20deg



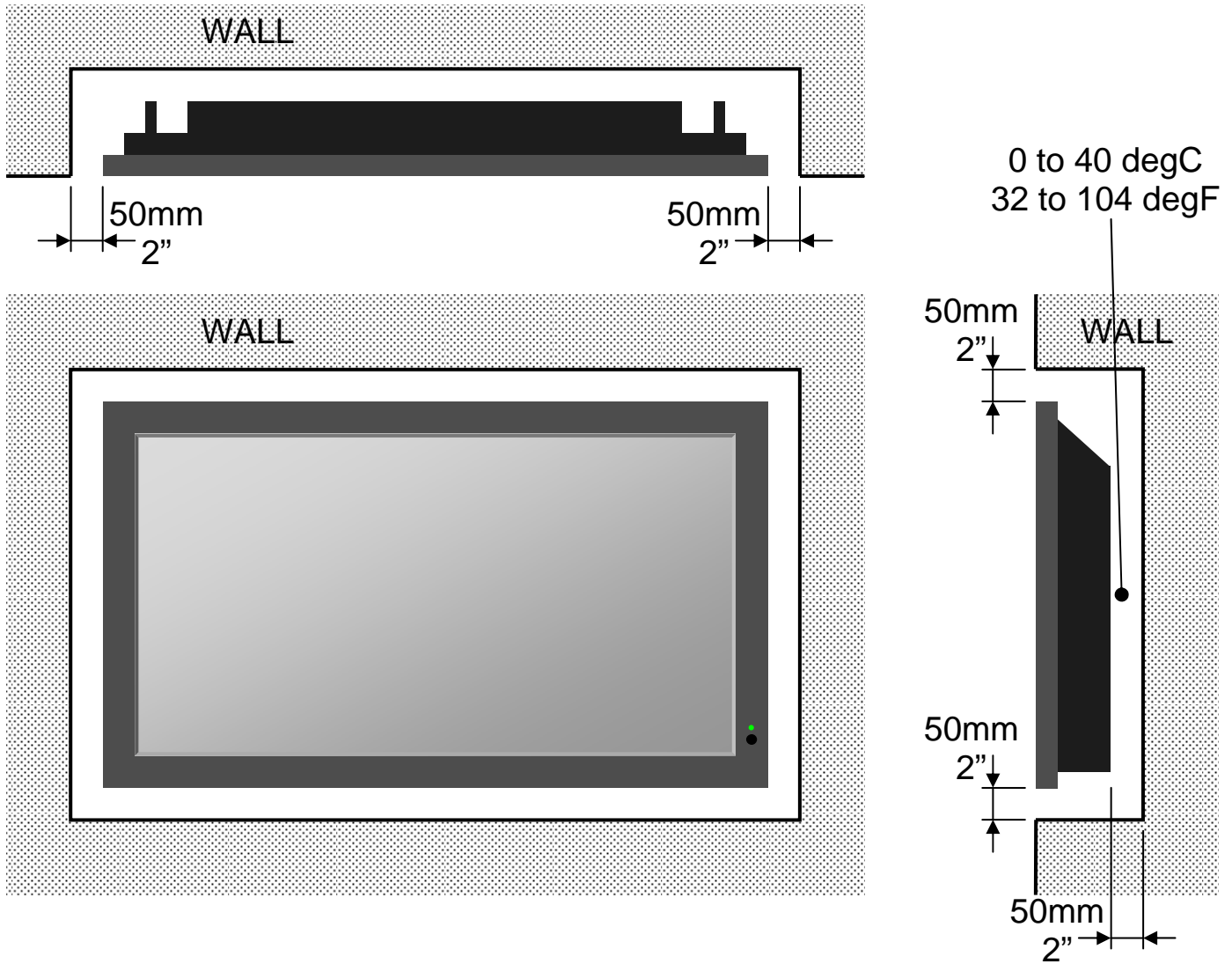
## P42XP10-BK Installation Guide

42" Plasma Monitor

Rev 1.2

### Ventilation Requirements (all models)

Dimensions below are minimum required for proper ventilation.



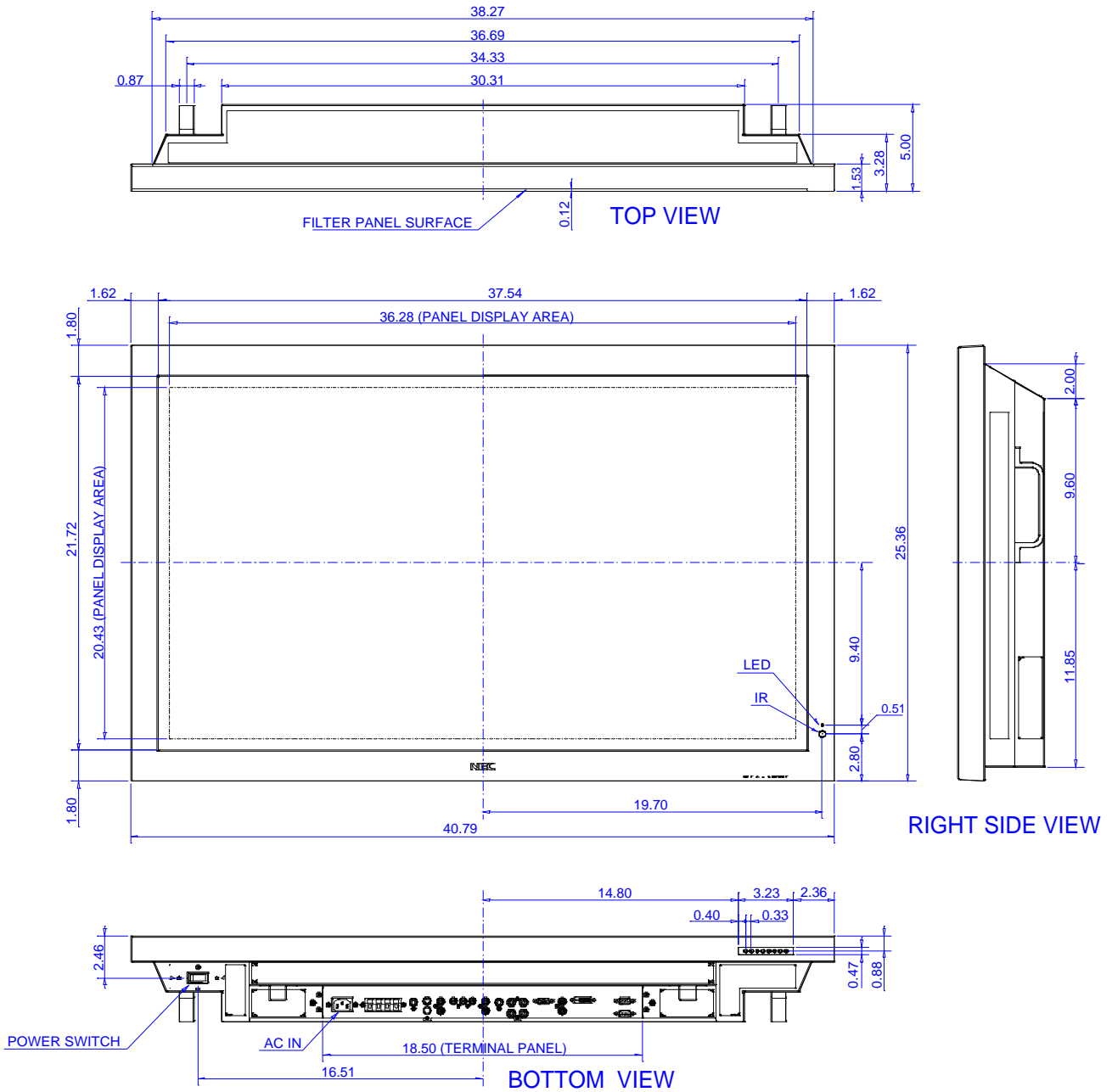
**NOTE:** The ventilation space should not be covered or closed off at the front of the opening. If for some reason the opening needs to be covered, other means of ventilation will need to be incorporated into the design. Contact NEC for design review and recommendations.

## P42XP10-BK Installation Guide

42" Plasma Monitor

Rev 1.2

### Display dimensions

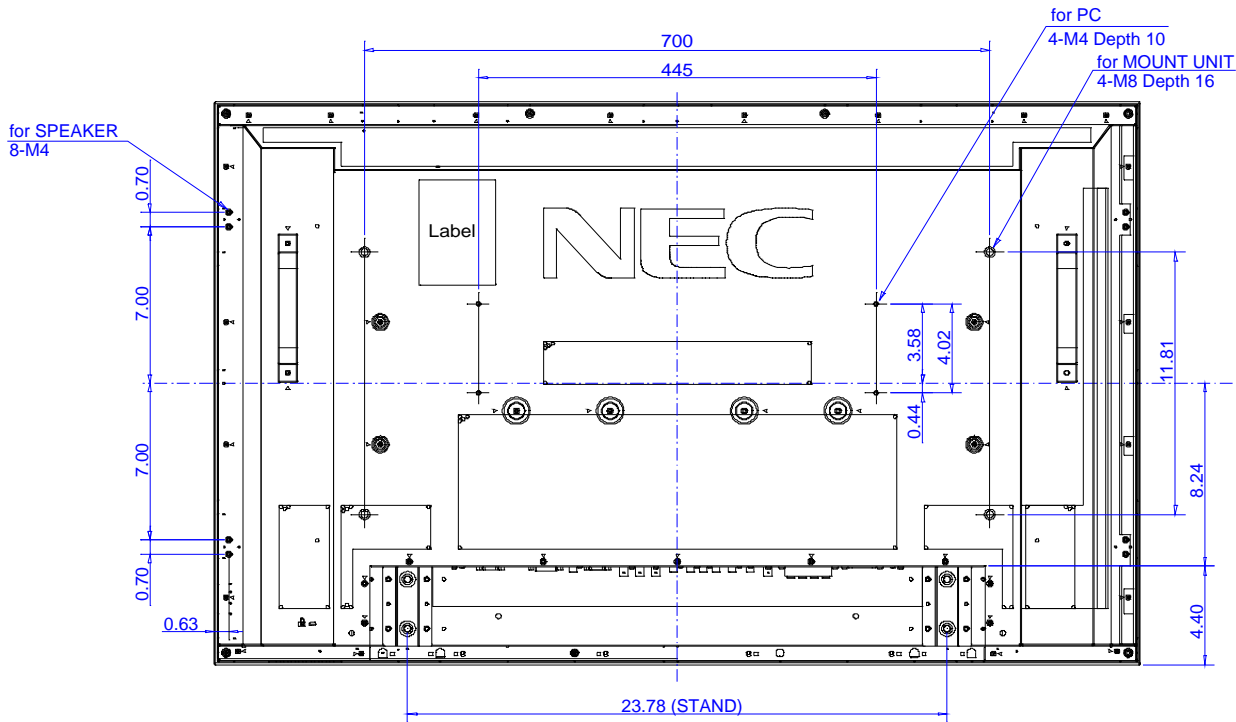


## P42XP10-BK Installation Guide

42" Plasma Monitor

Rev 1.2

### Display dimensions (cont.)



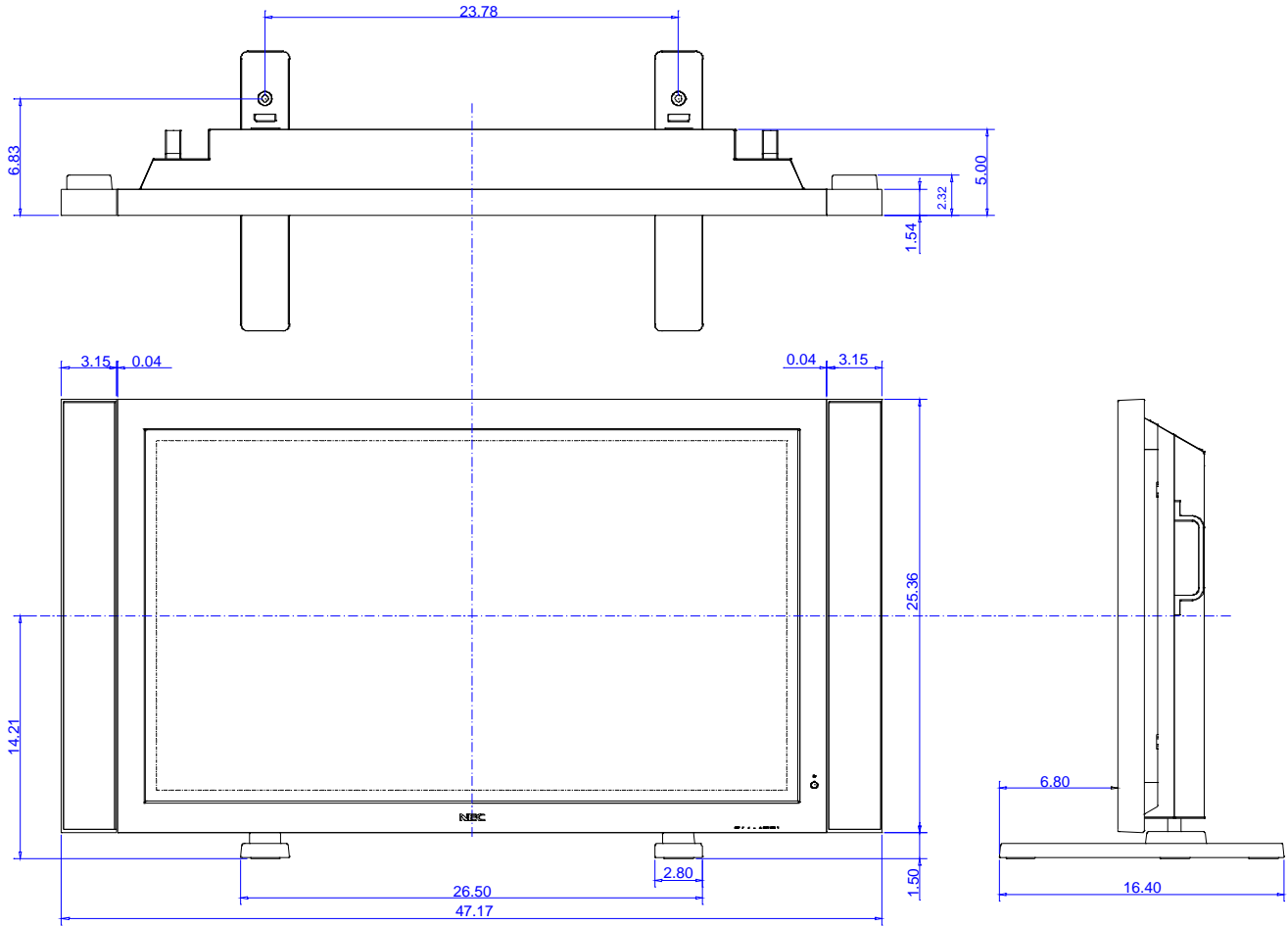
REAR VIEW

## P42XP10-BK Installation Guide

42" Plasma Monitor

Rev 1.2

### Dimensions with optional speakers and stand



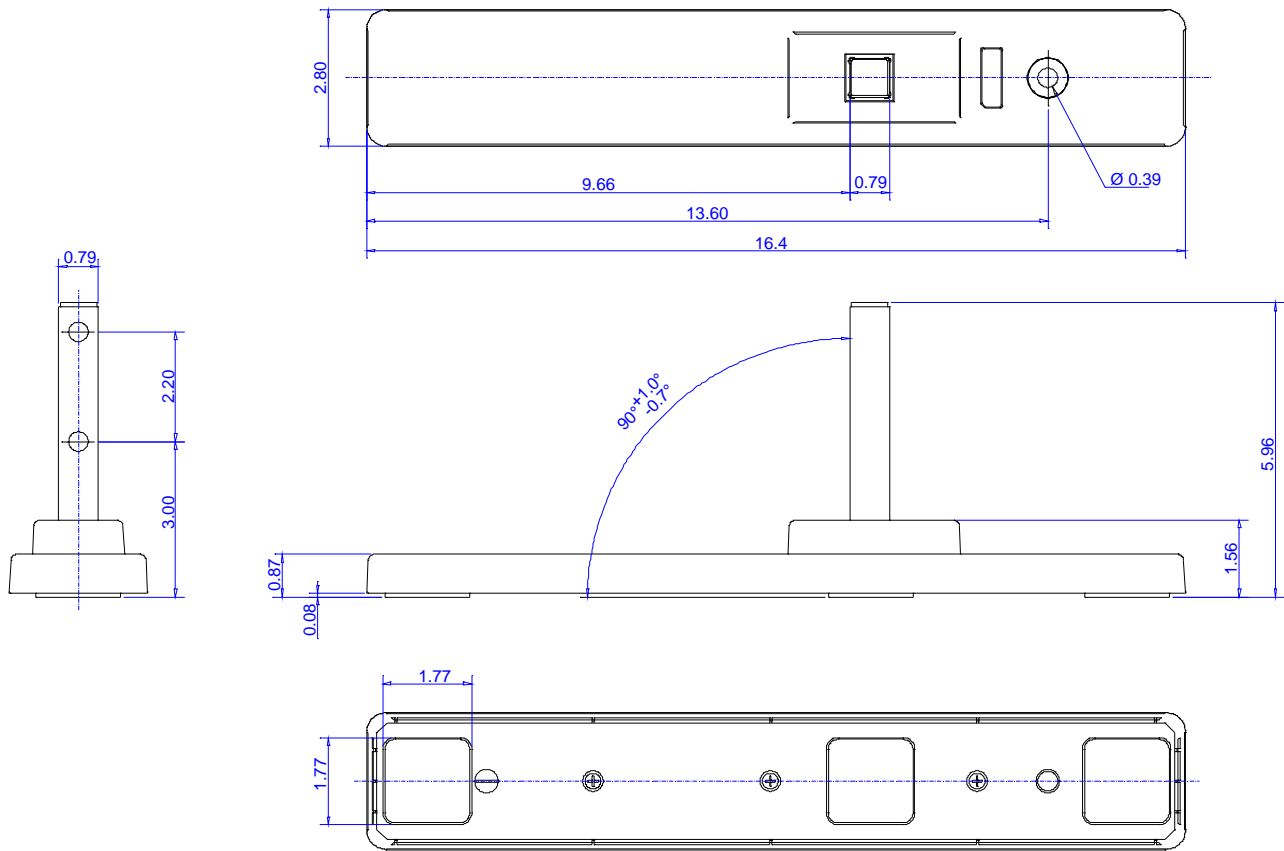
## P42XP10-BK Installation Guide

42" Plasma Monitor

Rev 1.2

### Optional Stand Dimensions (ST-P42P1)

Table Top Stand  
ST-P42P1

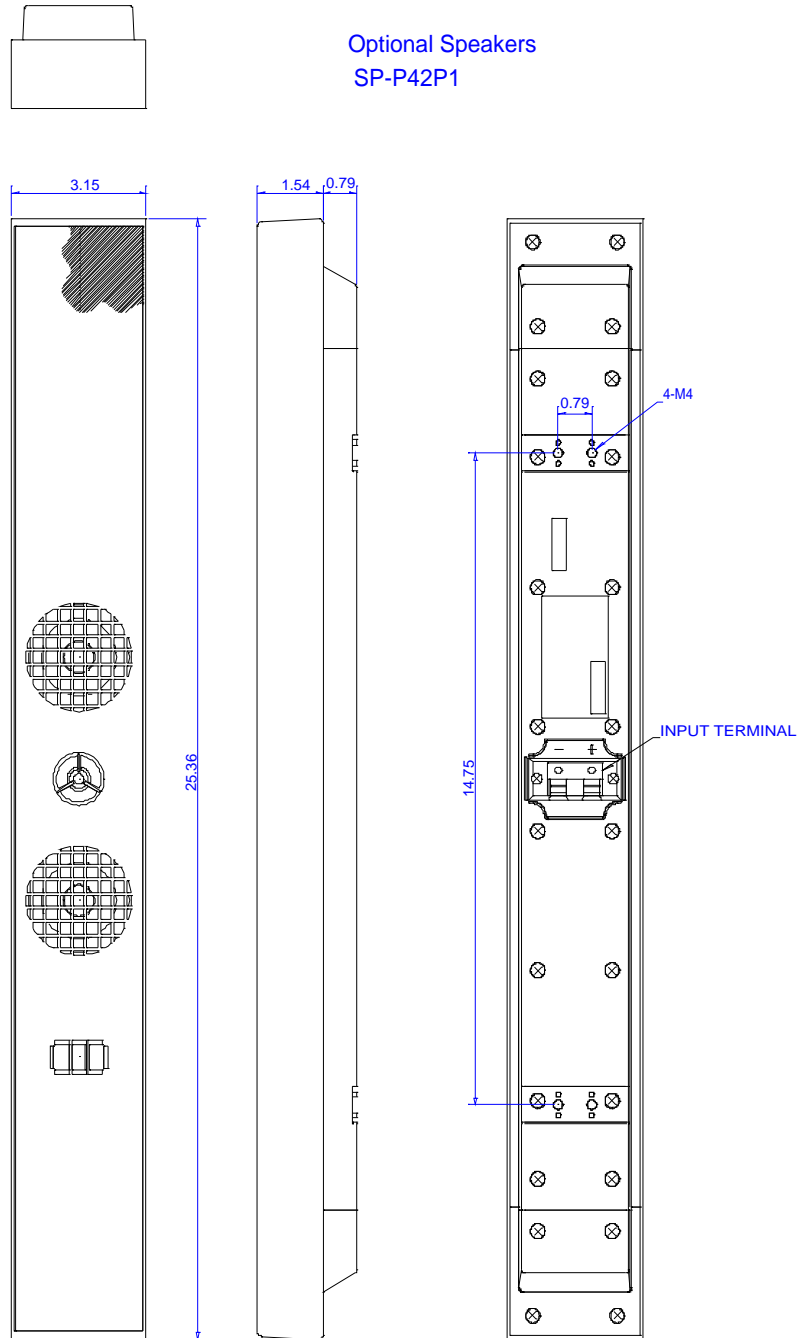


## P42XP10-BK Installation Guide

42" Plasma Monitor

Rev 1.2

### Optional Speaker Dimensions (SP-P42P1)

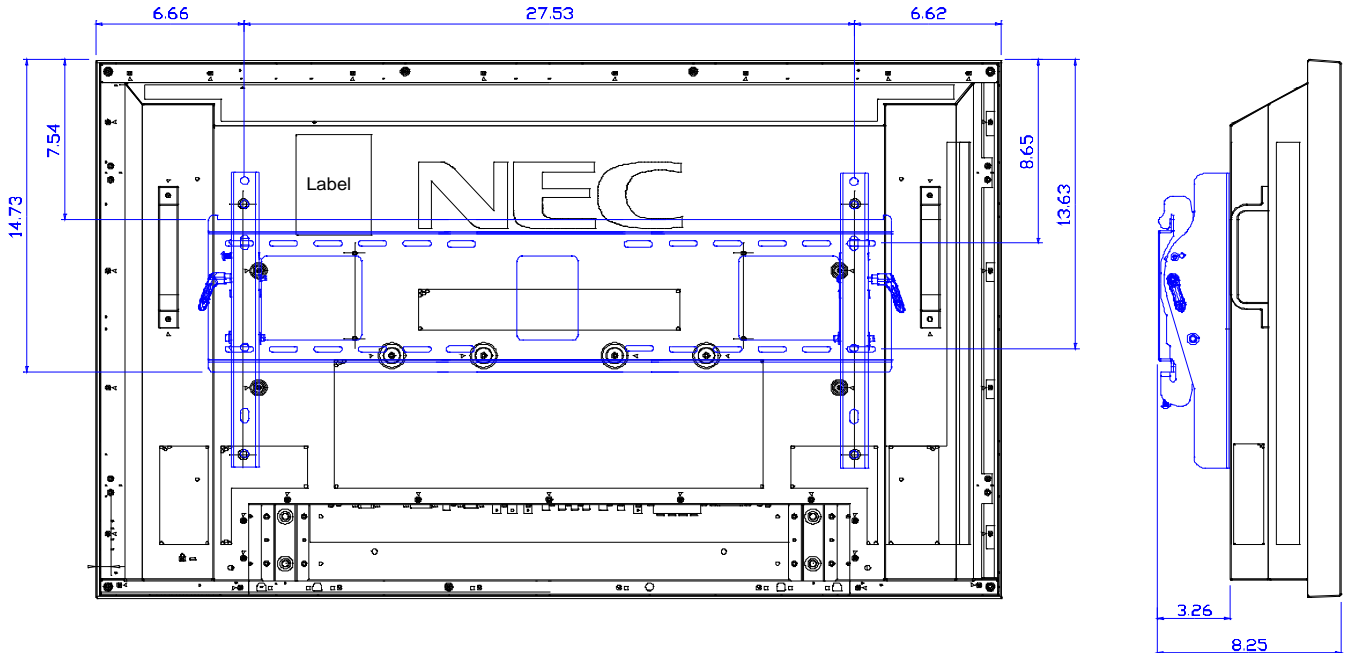


## P42XP10-BK Installation Guide

42" Plasma Monitor

Rev 1.2

### Dimensions with optional Wall Mount Kit (WMK3260-L)





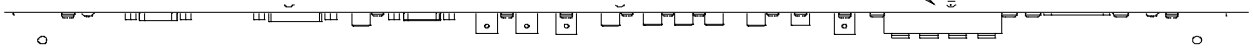
## P42XP10-BK Installation Guide

42" Plasma Monitor

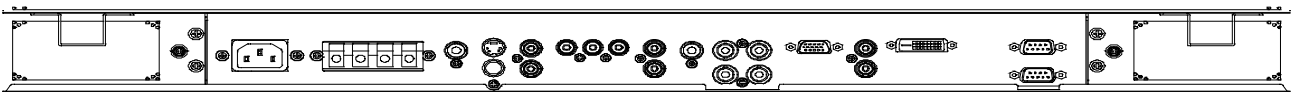
Rev 1.2

### Connections

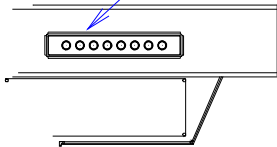
#### Speaker Terminal Connections



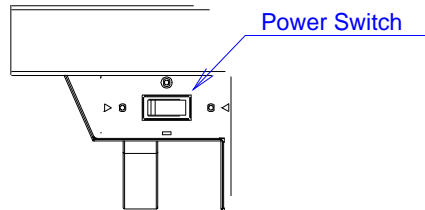
#### Located at bottom of display



#### Control Panel



#### Power Switch



## P42XP10-BK Installation Guide

### 42" Plasma Monitor

Rev 1.2

### Control Codes

Function		Code Data
POWER	ON	01 30 2A 30 41 30 43 02 43 32 30 33 44 36 30 30 30 31 03 18 0D
	OFF	01 30 2A 30 41 30 43 02 43 32 30 33 44 36 30 30 30 34 03 1D 0D
INPUT SWITCH	RGB1 (15pin HD)	01 30 2A 30 45 30 41 02 30 30 36 30 30 30 30 31 03 18 0D
	RGBHV	01 30 2A 30 45 30 41 02 30 30 36 30 30 30 30 32 03 1B 0D
	DVI	01 30 2A 30 45 30 41 02 30 30 36 30 30 30 30 33 03 1A 0D
	DVD3/HD3 (HDMI)	01 30 2A 30 45 30 41 02 30 30 36 30 30 30 30 34 03 1D 0D
	VIDEO1	01 30 2A 30 45 30 41 02 30 30 36 30 30 30 30 35 03 1C 0D
VIDEO2	VIDEO2	01 30 2A 30 45 30 41 02 30 30 36 30 30 30 30 36 03 1F 0D
	S-Video	01 30 2A 30 45 30 41 02 30 30 36 30 30 30 30 37 03 1E 0D
	DVD1/HD1	01 30 2A 30 45 30 41 02 30 30 36 30 30 30 30 43 03 6A 0D
	DVD2/HD2	01 30 2A 30 45 30 41 02 30 30 36 30 30 30 30 44 03 6D 0D
	AUDIO MUTE	ON
OFF		01 30 2A 30 45 30 41 02 30 30 38 44 30 30 30 03 63 0D
PICTURE MODE	BRIGHT	01 30 2A 30 45 30 41 02 30 32 31 41 30 30 30 33 03 6E 0D
	STANDARD	01 30 2A 30 45 30 41 02 30 32 31 41 30 30 30 34 03 69 0D
	CINEMA1	01 30 2A 30 45 30 41 02 30 32 31 41 30 30 30 35 03 68 0D
	CINEMA2	01 30 2A 30 45 30 41 02 30 32 31 41 30 30 30 42 03 1F 0D
	DEFAULT	01 30 2A 30 45 30 41 02 30 32 31 41 30 30 30 43 03 1E 0D
SCREEN MODE:	NORMAL	01 30 2A 30 45 30 41 02 30 32 37 30 30 30 30 31 03 1B 0D
	FULL	01 30 2A 30 45 30 41 02 30 32 37 30 30 30 30 32 03 18 0D
	ZOOM	01 30 2A 30 45 30 41 02 30 32 37 30 30 30 30 33 03 19 0D
	DYNAMIC	01 30 2A 30 45 30 41 02 30 32 37 30 30 30 30 34 03 1E 0D
	2.35:1	01 30 2A 30 45 30 41 02 30 32 37 30 30 30 30 42 03 68 0D
	14:9	01 30 2A 30 45 30 41 02 30 32 37 30 30 30 30 43 03 69 0D
	UNDERSCAN	01 30 2A 30 45 30 41 02 30 32 37 30 30 30 30 44 03 6E 0D
TRUE	01 30 2A 30 45 30 41 02 30 32 37 30 30 30 30 45 03 6F 0D	
AUTO PICTURE	ON	01 30 2A 30 45 30 41 02 30 30 31 45 30 30 30 31 03 6A 0D
	OFF	01 30 2A 30 45 30 41 02 30 30 31 45 30 30 30 03 6B 0D
FILM MODE	ON	01 30 2A 30 45 30 41 02 30 32 32 33 30 30 30 32 03 1E 0D
	OFF	01 30 2A 30 45 30 41 02 30 32 32 33 30 30 30 31 03 1D 0D

**NOTE:** Contact your NEC rep for codes not listed.

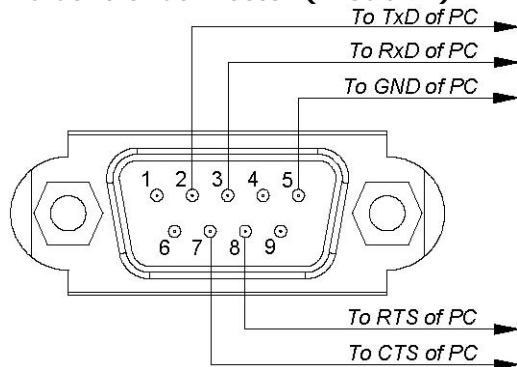
**NOTE:** Use a cross/reverse/null modem cable.

### Cable Connection

#### Communication Protocol:

Interface:	RS-232C	Parity:	None
Communication:	Asynchronous	Stop Bit:	1 bit
Baud Rate:	9600 bps	Communication Code:	ASCII
Data Length:	8 bits		

#### PC Control Connector (D-Sub 9P)



**NOTE:** If so desired, jumper "Request to send" and "Clear to Send" together on both ends of the cable to simplify cable connection. These connections are not required. The only connections required are pins 2 (Rx), 3 (Tx) and 5 (GND).