



EV9318-30

Polaria Water Appliance

Low volume premium water appliance for drinking water applications



Polaria Water Appliance: EV9318-30

BENEFITS

- Proven commercial-grade quality
- Chills to an ideal temperature of 50°F
1.3 gallons chilled water per hour
- Compact unit is easy to hide in any kitchen cabinet or wet bar
- 0.7 gallon internal tank
- Whisper-quiet, hermetically sealed, and maintenance-free compressor
- Uses ozone-friendly HFC-134a refrigerant
- Consumes only 155 watts of electricity when compressor is cycling
- Stainless steel components and lead-free design
- Accessory power cord included
- UL listed

INSTALLATION TIPS

- Position the appliance in the point of installation, away from sources of heat and direct sunlight
- Do not install the appliance outdoors and in very damp rooms
- The appliance should be positioned in such a way as to leave approximately 2.40 to 2.80 inches of space free for air to circulate freely
- Ensure John Guest fittings are secure before operation
- Ventilation required for optimal performance
- Adjustable thermostat is factory pre-set
- Requires no adjustment other than for altitude requirements

OPERATION TIPS

- To ensure the highest quality water, use in combination with an Everpure filtration system
- Open supply line valve.
- Purge air from all water lines by using water through faucet. A steady stream assures all air is removed.
- Rotate fan to insure proper clearance and free fan action.
- Connect to electrical power.

APPLICATION/SIZING

- Sized for coffee, office, water applications
- Maximum Cold Water Capacity: 1.3 gph

Polaria Water Appliance

SPECIFICATIONS

Overall dimensions:

14"H x 7"W x 17"D

Inlet & Outlet connections:

1/4" O.D. for inlet and outlet

Power Supply:

115 VAC @ 60 Hz, 155 W

Compressor Power:

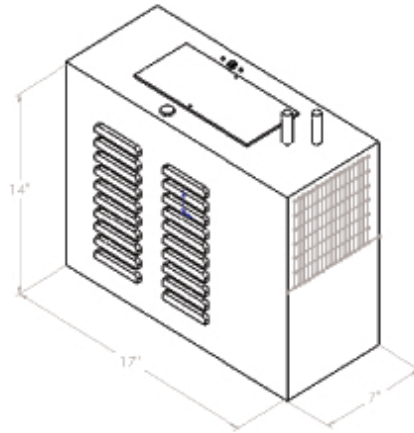
1/8 HP

Maximum Cold Water Capacity:

1.3 gph

Tank Volume:

0.7 gallon



WARRANTY

The Polaria water chiller has a 5-year limited warranty on the refrigeration system of the unit. Electrical components and water system are warranted for 12 months from date of installation. Warranty pertains to drinking water applications only. Non-drinking water applications are not covered under warranty. A detailed warranty statement is included with each unit.



This water appliance is approved by Underwriters Laboratories Inc. in accordance with NSF/ANSI 61-2002e.

Everpure, Micro-Pure, Doulbers™ and the silver color are registered trademarks of Everpure, LLC © 2008

EVERPURE®

Worldwide Headquarters:

EVERPURE, LLC
1040 Muirfield Drive
Hanover Park, Illinois 60133
Toll Free (800) 323-7873
Tel (630) 307-3000
Fax (630) 307-3030
<http://www.everpure.com>

In Europe:

Pentair Water Belgium B.V./B.A.
Industriepark Wolfstee
Toekomstlaan 30
B- 2200 Herentals
BELGIUM
TEL: +32.(0).14.283.500
FAX: +32.(0).14.283.505

In Japan:

Hashimoto MN Bldg. 7F
3-25-1 Hashimoto Sagamihara-Shi
KANAGAWA 229-1103
JAPAN
TEL: 81.(0)42.775.3011
FAX: 81.(0)42.775.3015