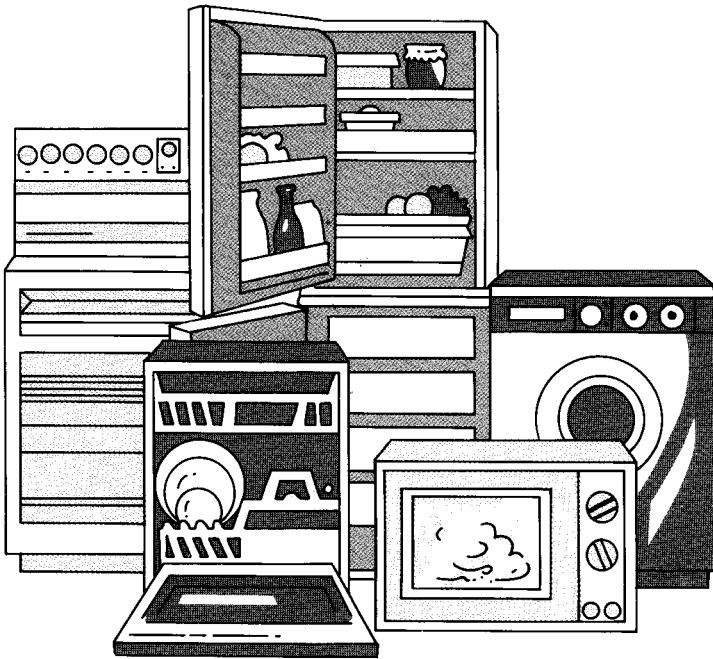


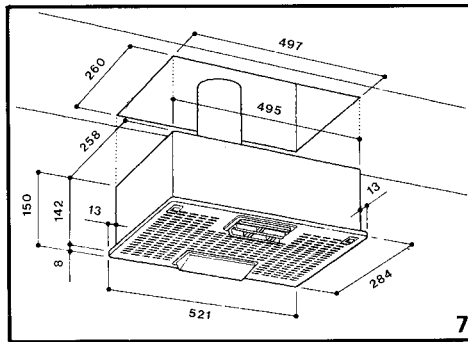
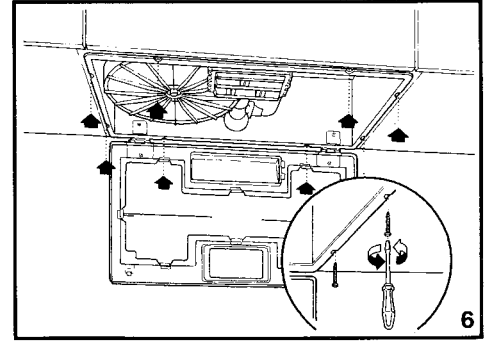
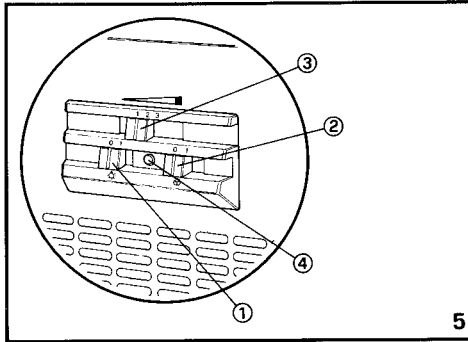
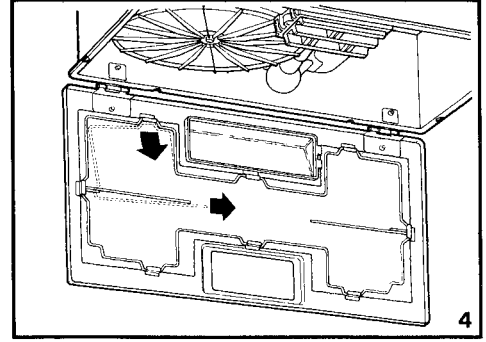
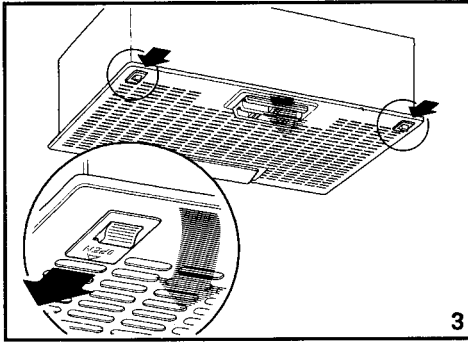
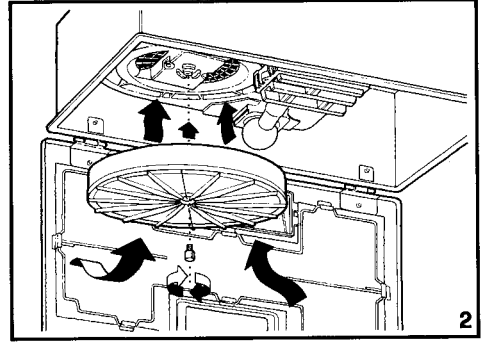
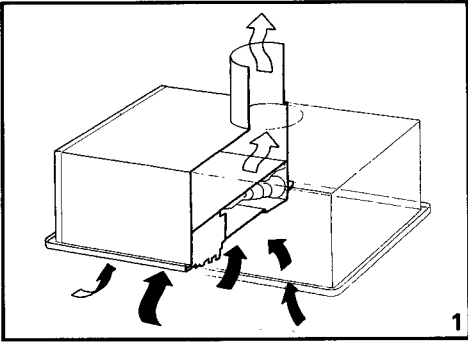
TRICITY BENDIX

Better Products. Better Value.



Canopy Cooker Hood - CH 550

Operating and Installation Instructions



CONTENTS

Please refer to the sections in this booklet that apply to your particular model:

Page

Drawings	1
Contents	2
Warnings	3
General Information	4
Electrical Connection	4
Unpacking	5
Installation - Positioning	5
Installation - Fitting	5
Recirculation	5
Ducting Fitting	5
Operating Instructions	6
Maintenance and Cleaning	6
Do's and Don'ts	7
Help Us To Help You	7
Customer Care Department	7
Before Calling a Service Engineer	8
Tricity Bendix Service Centres	9, 10

TECHNICAL SPECIFICATIONS

DIMENSIONS	Width	cm 52
	Height	cm 15
	Depth	cm 28.4

WEIGHT	Gross	kg 5.5
	Net	kg 5.1

ELECTRICAL CONNECTION	Voltage (~50Hz)	230-240 V
	Fan	115 W
	Lamp	40 W
	Consumption	155 W

PERFORMANCE	Speed	1	2	3
	Capacity m ³ /h	120	170	230
	Capacity lt/sec	33	47	64
	Pressure mmH ₂ O	11	19	26
	Noise level dbA	47	54	62

WARNINGS

It is most important that this instruction book should be retained with the appliance for future reference. Should the appliance be sold or transferred to another owner, or should you move house and leave the appliance always ensure that the book is supplied with the appliance in order that the new owner can be acquainted with the functioning of the appliance and the relevant warnings. Please ensure that you have read the whole instruction book before using the appliance and that you follow the recommendations given. These warnings are provided in the interest of safety. They must be read carefully before installing or using the appliance.

This appliance is designed to be operated by adults. Children should not be allowed to tamper with the controls or play with the product.

It is dangerous to alter the specification or attempt to modify the appliance in any way.

Any electrical work required must be undertaken by a qualified electrician or a competent person.

This product should be serviced by an authorised Tricity Bendix Service Centre, and only genuine Tricity Bendix spare parts should be used.

Never leave frying pans unattended during use as overheated fats and oils may catch fire.

Never do flambe cooking under this cooker hood.

It is a possible fire hazard if the grease and charcoal filter are not replaced as recommended.

When used in the extraction mode the cooker hood must not be connected to a flue which is used for exhausting fumes from appliances supplied with energy other than electric such as central heating flue or water heating flue.

If the room where the hood is to be used contains a fuel burning appliance such as a central heating boiler then its flue must be of the room sealed or balanced flue type.

If other types of flue or appliances are fitted ensure that there is an adequate supply of air to the room.

All installations must comply with the local authorities requirements for the discharge of exhaust air.

WARNINGS Cont'd

If the cooker hood is installed for use above a gas appliance then the provision for ventilation must be in accordance with the Gas Safety (Installation & Use) Regulations 1994 No. 1886 and the relevant building regulations. Details are contained in the following British Standard Codes of Practice BS6172 BS 5440 and BS6891 Current Edition.

The fan motor of this cooker hood incorporates a thermal cut-out device which will operate if the cooker hood is installed below the minimum height recommended in this booklet, or if the motor becomes overheated. If the cut-out device is activated, switch off the fan motor and allow the cooker hood to cool.

The fan cut-out will reset itself when the fan motor has cooled sufficiently.

This cooker hood has been designed for installation over an electric hotplate with a maximum input of 7Kw or a gas hotplate with a maximum input of 10Kw when fitted in accordance with the height recommended in this booklet.

Under no circumstances should you attempt to repair the appliance yourself. Repairs carried out by an inexperienced person may cause injury or more serious malfunctioning. Refer to your local Tricity Bendix Service Centre. Always insist on genuine Tricity Bendix spare parts.

GENERAL INFORMATION

This Instruction book applies to the following models:

Tricity Bendix CH550B Brown 52cm
Tricity Bendix CH550W White 52cm

This cooker hood is guaranteed and will give lasting service. The guarantee is only applicable if the hood has been installed in accordance with the installation instructions detailed in this booklet.

This cooker hood has been designed for use fixed beneath a wall cabinet or purpose built canopy as illustrated in fig. 6 and should be installed in accordance with the following fitting instructions.

The hood can be used to extract odours to the outside or to recirculate the air within the kitchen after passing the contaminated air through a (optional) cleansing charcoal filter.

The installation instructions which follow give instructions on how and where this hood may be fitted. If already installed check with the installer that all the requirements have been met. If not then draw these to the attention of the installer who should be a qualified electrician or a competent person.

Tricity Bendix disclaims all liability for any damage or injury caused as a result of not following the instructions contained in the following text.

ELECTRICAL CONNECTION

Before connecting to the mains supply ensure that the mains voltage corresponds to the voltage on the rating plate inside the cooker hood.

WARNING: THIS APPLIANCE MUST BE EARTHED

This appliance is fitted with a 3 core mains supply cable and should be permanently connected to the electricity supply via a double-pole switch having 3mm minimum contact gap on each pole. A Switched Fuse Connection Unit to BS.1363 Part 4, is a recommended mains supply connection accessory to ensure compliance with the Safety Requirements applicable to fixed wiring instructions.

Any permanent electrical installation must comply with the latest I.E.E. Regulations and local electricity board regulations. For your own safety this should be undertaken by a qualified electrician e.g. your local Electricity Board, or a contractor who is on the roll of the National Inspection Council for Electrical Installation Contracting (NICEIC).

WARNING: INCORRECT INSTALLATION COULD AFFECT THE SAFETY OF THIS COOKER HOOD

DISCONNECT THE HOOD FROM THE MAINS SUPPLY BEFORE CARRYING OUT ANY KIND OF MAINTENANCE OR CLEANING.

This appliance conforms to BS.800:1988 and EEC Directive 87/308 regarding suppression of radio and television interference.

INSTALLATION

Unpacking

Care should be taken when unpacking the cooker hood to ensure the fixing kit, ducting spigot and literature pack are retained with the hood.

The fixing kit comprises of No 8 - 13mm fixing screws

Positioning

When installed above an **electric cooking appliance** the minimum distance between the surface of the hob elements and the lower grille of the cooker hood must be 65cm (25 1/2").

When installed above a **gas cooking appliance** the minimum distance between the surface of the hob pan supports and the lower grille of the cooker hood must be 70cm (27 1/2").

When installed above a cooking appliance with a high level grill the minimum distance between the upper surface of the grill and the lower grille of the cooker hood must be 45cm (17 3/4").

The distance between the underside of adjoining wall cabinets and the worktop must not be less than 40cm (15 3/4").

Care should be taken when unpacking the cooker hood to ensure that the fixing kit, ducting spigot and literature pack are retained with the hood.

Fitting

IMPORTANT: Before fitting the hood beneath any type of wall cabinet/ canopy housing ensure it is firmly fixed to the wall in accordance with the manufacturers instructions. Care should be taken to check the wall to which the cabinet/canopy is to be fitted for electric cables, water pipes or gas pipes before drilling.

If it is necessary to fix the cabinet/canopy to a hollow construction plaster or partition board structure then it must be sufficiently reinforced to be quite rigid in the area of the cabinet/canopy mounting system.

Measure the underside of the cabinet/canopy to mark the position for the cut-out as illustrated in fig. 7. The cut-out should measure, width - 497mm by depth 261mm. Check the positioning of the holes is correct with the measurements above before making the cut-out.

The hood is fixed using the holes located in rim around the cooker hood casing. Access to the

INSTALLATION Cont'd

screw holes will require the removal of the metal grille panel. Press back on the two slide catch fasteners located on the front edge of the grille, which may then be pivoted down. Raise the hood into the cut-out and mark the position for the fixing screws. Pilot drill the fixing holes and fit the hood using the fixing screws supplied having ensured the ducting and mains supply cord have been connected.

Recirculation

The hood is supplied specified for installation in the extraction mode. To convert the hood to recirculation it will be necessary to obtain the (optional) charcoal filter. Charcoal filters can be obtained by using the order form enclosed.

To fit the charcoal filter, open the metal inlet grille as illustrated in fig. 3. Remove the screw from the centre of the motor support grille and taking the filter in one hand place it over the support. Insert the screw with the other hand through the hole in the centre of the charcoal filters as illustrated in fig. 2 and finger tighten the screw until the filter fits flush to the diffuser.

In the recirculation mode, contaminated air enters the cooker hood and passes through the grease filter and charcoal filter and out into the kitchen as illustrated in fig. 1.

When installed in the recirculation mode it will be necessary for the installer to fabricate a chimney from the ducting spigot on the top of the hood to a terminal in the chimney/wall cabinet housing.

Ducting Fitting

Fit the ducting spigot into the aperture on the top of the casing and make an air tight connection.

The ducting used must be 100mm (4ins) diameter, and where flexible ducting is fitted it should not be turned through very tight bends as this could impair the performance of the hood.

The ducting used must be 100mm (4ins) diameter and be manufactured from fire retardant material conforming to the relevant British Standard or DIN 4102-B1. (The maximum length of ducting including one 90 Degree bend should be 3 metres, to be reduced by 1 metre for each 90 degree bend installed in the duct run).

The (optional) charcoal filter is not required when the is installed in the ducting mode.

OPERATING INSTRUCTIONS

The cooker hood functions are controlled by three slide switches located centrally on the underside of the hood in the front edge of the metal inlet grille panel as illustrated in fig. 5.

Ensure the hood is switched on at the supply connection unit.

Worktop Lighting

The switch (1) marked with the **lamp symbol** and numbered **0-1** as illustrated in fig. 5 controls the worktop lighting. **Position -1** indicates the light is operating.

Fan

The switch (2) marked with the **fan symbol** and numbered **0-1** controls the power supply and should be used together with the switch (3) numbered **1-2-3** as illustrated in fig. 5 to control the fan speed. **1- Low, 2- Normal and 3- Boost.**

Position -1 Should be selected when simmering or when using one pan.

Position -2 Should be selected for normal cooking up to four pans.

Position -3 Should be selected when frying or cooking food with strong odour.

To obtain the best performance it is advise able to switch on the hood a few minutes before you start cooking and leave it running for approximately 15 minutes after finishing.

MAINTENANCE

DISCONNECT THE HOOD FROM THE MAINS SUPPLY BEFORE CARRYING OUT ANY KIND OF MAINTENANCE OR CLEANING.

Worktop Lighting

If a lamp fails to function at any time first check that it is fully screwed into the holder.

When changing the lamp an identical replacement must be fitted to ensure the safe working of the cooker hood.

Replacement lamps are specified 230-240Volts 40Watt clear round globe shape with small Edison (E14) screw thread cap.

Cleaning

For your own safety and in the interests of hygiene your cooker hood needs to be kept clean. A build up of grease or fat from cooking could cause a fire hazard.

Never use excessive amounts of water when cleaning particularly around the control panel area.

The metal casing and lower grille assembly should be cleaned at least once a month to keep it looking like new. Wipe over the hood with a soft cloth wrung out in hot water and containing a mild household cleaner and dry with a soft cloth. Always wear protective gloves when cleaning the hood.

NOTE: Never use scouring pads or abrasive cleaners as they might scratch or damage the surface.

Charcoal Filter

The charcoal filter cannot be cleaned. It should be replaced at least once every three months or more frequently if the cooker hood is used for more than three hours a day.

Grease Filter

The grease filter is fitted to absorb grease and dust during cooking to help keep the appliance clean inside.

Synthetic Grease Filter

The synthetic paper grease filter cannot be cleaned. **It must not be washed.**

The filter has saturation indicators. Gradually the squares of the filter become saturated with

MAINTENANCE Cont'd

grease. When the squares become saturated the coloured dots will start to run and spread and this indicates the grease filter should be replaced.

To remove the grease filter open the metal inlet grille. Carefully ease out the metal retaining wire clips to remove the grease filter. **Please ensure that the wire clips are handled with care and keep away from children as the wire clips have sharp points.**

IMPORTANT: There could be a possible fire hazard if the grease and charcoal filters are not replaced according to these instructions.

For replacement filters please use the order form enclosed.

Do's and Don'ts

Do's

Do take extra care when frying.

Do keep heating areas on your hob covered over with pots and pans when using the hob and cooker hood simultaneously.

Don'ts

Don't leave naked flames under the hood.

Don't leave frying pans unattended during use as over heated fats and oils may catch fire.

Don't do flambe cooking under this cooker hood.

HELP US TO HELP YOU

Please determine your type of enquiry before writing or telephoning.

SERVICE

In the event of your appliance requiring service, Tricity Bendix have an arrangement with Electrolux Group Service.

Before calling out an engineer, please ensure you have read the details under the heading "Before Calling a Service Engineer" and have the model number and purchase date to hand. The telephone number and address for service is detailed on the list headed "Tricity Bendix Service Centres".

PLEASE NOTE that all enquiries concerning service should be addressed to your local Customer Service Centre.

CUSTOMER RELATIONS DEPARTMENT

FOR GENERAL ENQUIRIES concerning your Tricity Bendix appliance, or further information on Cookers, Cooker Hoods, Microwave Ovens, Refrigeration or Home Laundry equipment, you are invited to contact our Customer Care Department.

We have fully trained Home Economists and Advisors just a telephone call away who can provide information and brochures.

Do not hesitate to contact us by letter or telephone as follows:

Customer Care Department
Tricity Bendix
99 Oakley Road
Luton
Bedfordshire
LU4 9QQ

Telephone: (01582) 585858

HELP US TO HELP YOU Cont'd

BEFORE CALLING A SERVICE ENGINEER

We strongly recommend that you carry out the following checks on your appliance before calling a Service Engineer. It may be that the problem is a simple one, which you can solve yourself without the expense of a Service call. If our Service Engineer finds that the problem is listed below you will be charged for the call whether or not the appliance is under guarantee:

- **Make sure the appliance is properly wired in and that the Connection Unit is switched "ON".**
- **Check there is power to the Connection Unit.**
- **Check the fuse in the Connection Unit.**
- **Check the mains fuse.**

TRycITY BENDIX SERVICE CENTRES

ABERDEEN	AB	01224 696569	Tricity Bendix After Sales Service Northeast Appliance Service 8 Cornhill Arcade Aberdeen AB2 5UT
ARGYLLE	PA24-61	01505 321316	Tricity Bendix After Sales Service T.D.C. Refrigeration Briar Hill 7 Hill Street Dunoon PA23 7AL
BARNSTAPLE	EX18-23, 31-39	01271 328826	Tricity Bendix After Sales Service McBain Refrigeration P.O. Box 12 Barnstaple, North Devon EX31 2YB
BORDERS	TD	01573 224411	Tricity Bendix After Sales Service James Stewart & Son 2-8 Wood Market Kelso Borders TD5 7AX
BRISTOL	BS SP TA	0117 921 1876	Tricity Bendix After Sales Service P.O. Box 372 Bristol BS99 1UD
CANVEY	E, EC, EN, N, NW, W, WC AL, CB, HA, HR, LU, MK, SG UB, WD, PE16-19 CM, CO, IG, RM, SS PE14, 15, 17, 34, 38 IP, NR, PE30-33, PE35-37	0181 443 3464 0181 965 9699 01268 694144 01268 694144 01603 667017 01603 667017 01603 667017 01603 667017	Tricity Bendix After Sales Service 2-4 Sandhurst Kings Road Canvey Island SS8 0QY
CARDIFF	CF, NP1-4, 6, 9-44 SA1-18, 21-32	01222 460131	Tricity Bendix After Sales Service Guardian Industrial Estate Clydesmuir Road Tremorfa Cardiff CF2 2QS
CUMBRIA	CA	01228 594747	Tricity Bendix After Sales Service E.T.B. Services Carlisle Enterprise Centre James Street Carlisle CA2 5AP
DUMFRIES & GALLOWAY	DG1-14	01387 69694	Tricity Bendix After Sales Service Alan Crossan (Service) 93 Irish Street Dumfries Scotland DG1 2PQ
DUNDEE	DD1-14 PH8-18	01250 876285	Tricity Bendix After Sales Service I Brogan Domestic Cairnleigh Dunkeld Road Blairgowrie Perthshire PH10 8RT
GLASGOW	EH, FK, G, KA, KY1-16, ML, PA1-23, PH1-7, ZE	0141 647 4381	Tricity Bendix After Sales Service 20 Cunningham Road Clyde Estate Rutherglen Glasgow G73 1PP
GUERNSEY	GU	01481 46931	Guernsey Electricity PO Box 4 Vale Guernsey Channel Islands

HAVERFORDWEST	SA 33-39, 41-44, 61-73	01437 710914	Tricity Bendix After Sales Service C Butherford 1 Church Road Roch Haverfordwest Dyfed Wales SA62 6AG
HEREFORD	HR 1-9, LD1-8, SY7, SY18, NP 5, NP7-8	01432 340334	Tricity Bendix After Sales Service Domestic Repair Centre Unit 3 Bank Buildings Cattle Market Hereford HR4 9HX
HULL	YO 4, 11-18, 25 HU 1-19 DN 14	01482 585678	Tricity Bendix After Sales Service John Sizer Unit 1 Boulevard Unit Factory Estate Hull HU3 4AY
INVERNESS	IV 1-28, 30-36, 40-49, 51-56 PH 19-26, 30-44 KW 1-14	01463 792952	Tricity Bendix After Sales Service Highland Appliances Unit 3B3 Smithton Industrial Estate Smithton Inverness IV1 2PD
ISLE OF WIGHT	PO 30-41	01983 872552	Tricity Bendix After Sales Service Whatts Electrical Service 4 Forelands Road Bembridge Isle of Wight PO35 5XW
JERSEY	JE	01534 505050	Jersey Electricity Company PO Box 45 Queens Road St Helier Jersey Channel Islands JE4 8NY
LAMPETER	SA 19, 20, 40, 45-48, SY 23, 24, 25	01570 423020	Tricity Bendix After Sales Service Lampeter Domestic Appliance Services Unit 16 Lampeter Industrial Estate Lampeter Dyfed SA48 7DY
LANCASTER	LA 1-23	01772 316175	Tricity Bendix After Sales Service NL Services Unit 333 Ranglet Road Walton Summit Bamber Bridge Preston Lancashire PR5 8AR
LEEDS	BD, DN1-7, 10-12, HD, HG, HX, LS, S, WF, YO1-3, 5-8, DE, NG1-22, 25	01132608511	Tricity Bendix After Sales Service 64-66 Cross Gates Road Leeds LS15 7NN
LINCOLN	DN21 Subcodes 1,2,5 only LN1, 2, 4, 5, 6 LN3 Subcodes 4 & 5 only LN8-10 NG23, 24, 31-34 PE1-13, 20-25	01522 514603	Tricity Bendix After Sales Service Brian Hudson Unit 8 Stonefield Park Clifton Street Lincoln LN5 8AA
NEWTON ABBOT	EX1-17 PL1-9, 16, 19, 20, 21 TQ	01626 65909	Tricity Bendix After Sales Service South West Domestic Services Unit 2 Zealley Industrial Estate Kingssteign Newton Abbot South Devon TQ12 3SJ

TRYCITY BENDIX SERVICE CENTRES

ORTH WALES	LL	01745 591616 01745 590096	Tricity Bendix After Sales Service GMS (Cymru) Unit 2 Coed - Parc Abergele Road Rhuddlan Clwyd Wales LL18 5UG
ORTHERN	DL TS DH YO21, 22 DH NE SR FY PR WN BB BL M OL SK CH CH L WA	01325 301400 0191 493 2025 01282 774621 0151 254 1724 0151 254 1724	Tricity Bendix After Sales Service PO Box 40 Preston Road Aycliffe Industrial Estate Newton Aycliffe Co Durham DL5 6XA
ORTHERN IRELAND EAST	BT1-30, 36-57, 63-67	01232 746591	Tricity Bendix After Sales Service Unit C3 Edenderry Industrial Estate 326 Crumlin Road Belfast BT14 7EE
ORTHERN IRELAND WEST	BT31-35 BT60-62 BT68-82 BT92-94	01861 510400	Tricity Bendix After Sales Service G & Q (Armagh) Service Owenmore House Klwee Business Park Upper Dunmurray Lane Belfast BT17 0HD
UNEATON	B DY ST TF WR WS WV GL NN OX SN CV LE15 or	0121 358 7076 0121 358 5051 01993 704411 01203 354424 0116 251 5131	Tricity Bendix After Sales Service Unit 23-24 Alliance Business Park Townsend Drive Nuneaton Warwickshire CV11 6RX
REDRUTH	TR1-20, 26, 27 PL10-15, 17, 18, 22-35	01209 314407	Tricity Bendix After Sales Service Cornwall Domestic Service Unit 7D Pool Industrial Estate Druids Road Redruth Cornwall TR15 3QW
SHREWSBURY	SY1-6 SY8-17 SY19-22	01743 450279	Tricity Bendix After Sales Service BLI Service 6 Harlescott Barn Harlescott Lane Shrewsbury Shropshire SY1 3SY
SOUTH LUMBERSIDE	DN8, 9, 15-20 DN21 Subcodes 3, 4 only DN31-40 LN3 Subcode 6 only LN7, 11-13	01472 267978	Tricity Bendix After Sales Service John Robinson (Electrical) Unit 74 New Enterprise Centre King Edward Street Great Grimsby DN31 3JP
SOUTHERN	BH BN16-18 GU27-35 DT PO1-22 SO SP BA BS TA TR21-25	01705 667411 01705 667411 0117 921 1876 0117 921 1876	Tricity Bendix After Sales Service Limberline Road Hilsea Portsmouth Hampshire PO3 5JU
TONBRIDGE	GU1-26 RG SL CT DA ME TN BN1-15, 20-27 RH TW BR CR SE SW SM KT	0252 245505 & 01732 357722 01273 694341 0181 658 9069 0181 658 9069	Tricity Bendix After Sales Service 30 Morley Road Tonbridge Kent TN9 1RA

Rating Plate

The rating plate is situated inside the casing on the back panel. It gives the MODEL AND SERIAL NUMBER, which should be quoted in any communication or if the service department is contacted.

It is advisable to make a note of these below and keep for reference before the appliance is installed.

MAKE AND MODEL NO.	SERIAL NO.	DATE OF PURCHASE
CH 550 B <input type="checkbox"/>		
CH 550 W <input type="checkbox"/>		

PLEASE TICK V APPROPRIATE BOX

This handbook is accurate at the date of printing but will be suspended and should be disregarded if specifications or appearance are changed in the interests of continued improvement.



Dir. 89/336/CEE

TRICITY BENDIX

Better Products. Better Value.

Emaco Ltd
Registered in England No. 176547
101 Oakley Road, Luton, Bedfordshire LU4 9RJ, U.K.

4323986 - 06/95