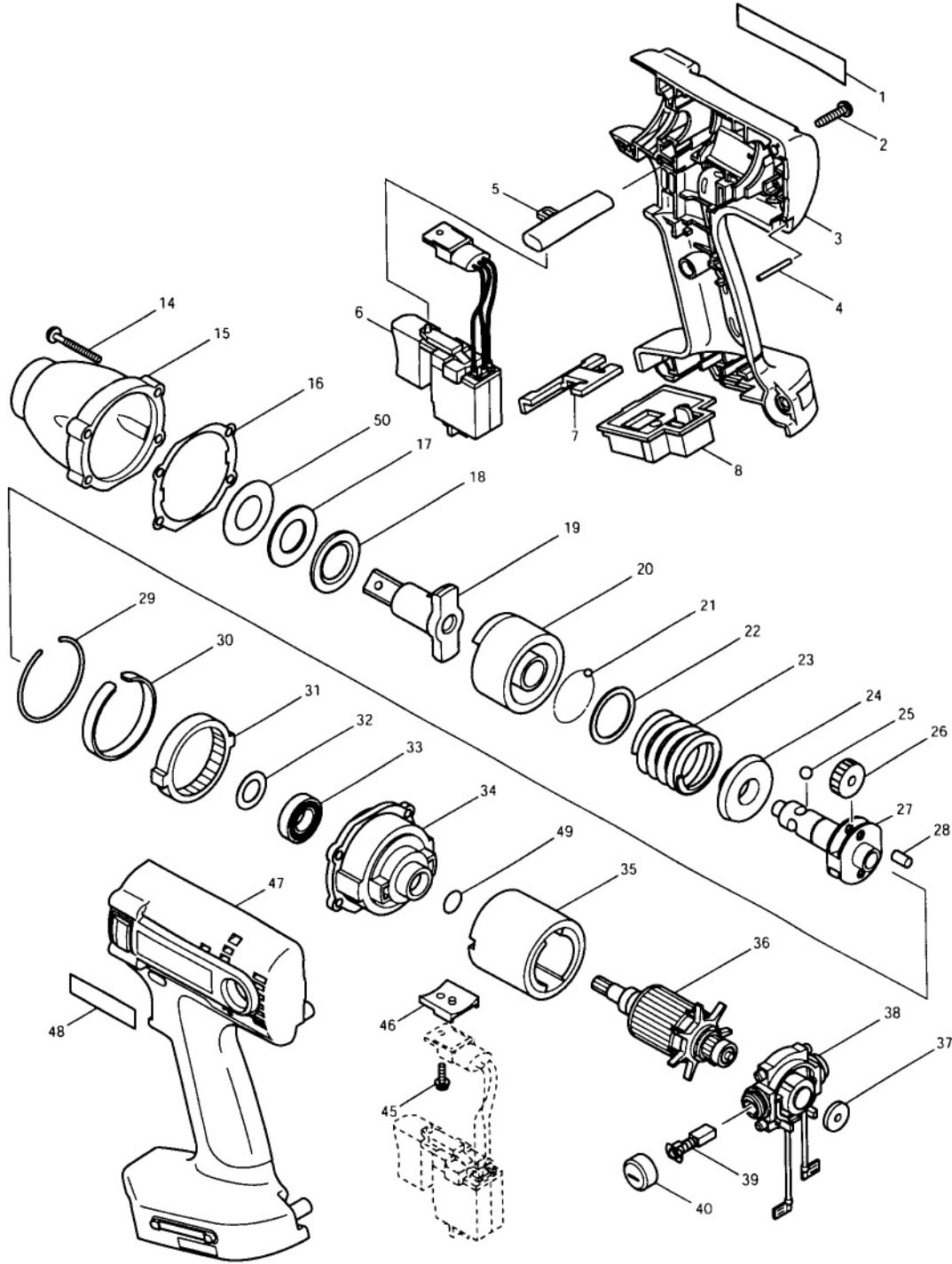


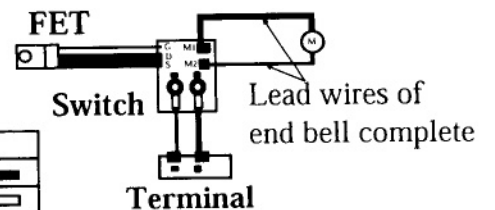


# CORDLESS IMPACT WRENCH

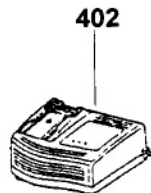
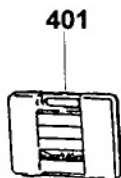
MODEL BTW150SA



## WIRING DIAGRAM



Color index of lead wires	
Black	
Red	
Orange	



**IMPORTANT!** - To assure product SAFETY and RELIABILITY, repairs, maintenance or adjustments should be performed by MAKITA Service Centers or other qualified service organizations. Always use MAKITA replacement parts.

Fig.	Part No.	Qty. Used	Description	Fig.	Part No.	Qty. Used	Description
1	853111-8	1	NAME PLATE BTW150	31	227001-5	1	INTERNAL GEAR 51
2	265995-6	8	TAPPING SCREW 4X18	32	267212-0	1	FLAT WASHER 12
3	183368-0	1	HOUSING SET (Incl. Fig. 47,48)	33	211140-1	1	BALL BEARING 6901LLB
4	256176-3	1	PIN 2.5	34	317467-8	1	INTERNAL GEAR CASE
5	416079-5	1	F/R CHANGE LEVER	35	638072-1	1	YOKE UNIT
6	650512-9	1	SWITCH C3LA-1A-D	36	619068-1	1	ARMATURE
7	344898-8	1	SUPPORT PLATE	37	421790-6	1	RUBBER CAP 12
8	643955-2	1	TERMINAL	38	638074-7	1	ENDBELL COMPLETE
14	922156-8	4	HEX. SOCKET HEAD BOLT M4X30	39	191975-5	1	CARBON BRUSH CB-431
15	152894-0	1	HAMMER CASE COMPLETE	40	643982-9	2	BRUSH HOLDER CAP
16	417660-5	1	GASKET	45	266282-6	1	TAPPING SCREW ST3X10
17	261120-7	1	RUBBER WASHER 18	46	689106-3	1	FET SPACER
18	267227-7	1	FLAT WASHER 18	47	183368-0	1	HOUSING SET (Incl. Fig. 3,48)
19	324178-8	1	ANVIL	48	819063-3	1	MAKITA LABEL
20	324174-6	1	HAMMER	49	213130-0	1	O RING 11
21	216001-0	25	STEEL BALL 3.5	50	267235-8	1	FLAT WASHER 18
22	267175-0	1	FLAT WASHER 24				
23	233317-8	1	COMPRESSION SPRING 25				
24	267759-4	1	CUP WASHER 14				
25	216011-7	2	STEEL BALL 5.6	<b>ACCESSORIES</b>			
26	226336-1	2	SPUR GEAR 22	400	193352-7	1	BATTERY BH1420
27	324090-2	1	SPINDLE	401	824632-7	1	PLASTIC TOOL CASE (Incl. 2 ea. LATCH 417075-6)
28	268070-7	2	PIN 5	402	DC14SA	1	DC14SA CHARGER
29	233910-8	1	RING SPRING 43				
30	344991-8	1	C-SLEEVE 45				

2 MODEL BTW150SA

05-01