

## WARRANTY REGISTRATION

Visit [www.ultimatesupport.com](http://www.ultimatesupport.com) for a quick and convenient process for registering your new Ultimate Support product. Warranty Registration and Proof of Purchase are required for warranty fulfillment. Full Limited Lifetime Warranty and Ultimate Protection Plus Premium Service and Support Plan details are available online under Music Gear & Instrument Stands / Customer Support.

**ULTIMATE**  
SUPPORT™

### LIMITED LIFETIME WARRANTY

Ultimate Support products are constructed of the finest materials and designed and tested to stand up to the demanding lifestyle of the touring musician, gigging DJ, and working sound engineer. In the unlikely event that a product should fail due to manufacturing defect, Ultimate Support is pleased to repair or replace that product.

**Please see [www.ultimatesupport.com](http://www.ultimatesupport.com) for more information.**

This warranty applies to the original purchaser only and does not include damage to the product resulting from normal wear and tear, accident, misuse, improper installation or operation, or unauthorized repair or alterations.

**ULTIMATE**  
SUPPORT™

THE STRENGTH OF INNOVATION

## Product Manual for Ultimate Support

### AXCEL SERIES WOOD GUITAR STANDS

**AXW-1** ITEM #17225

**AXW-2** ITEM #17226

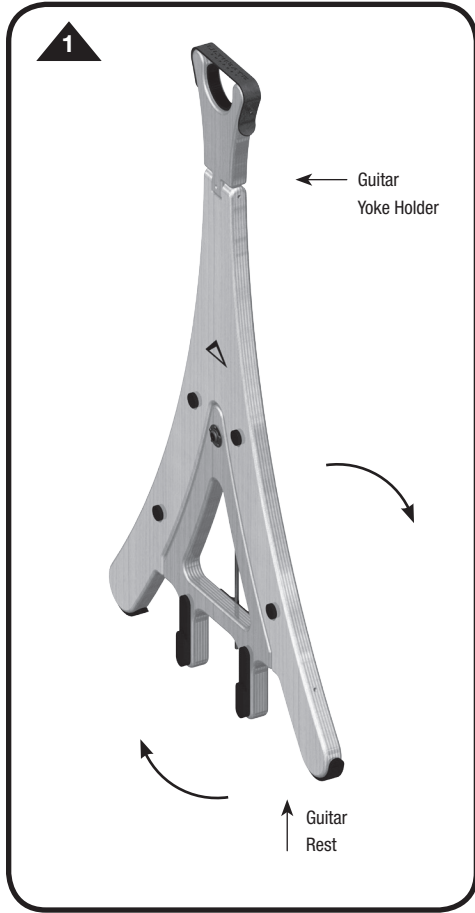
**AXW-3** ITEM #17227



**ULTIMATE**  
SUPPORT™  
LIMITED LIFETIME WARRANTY

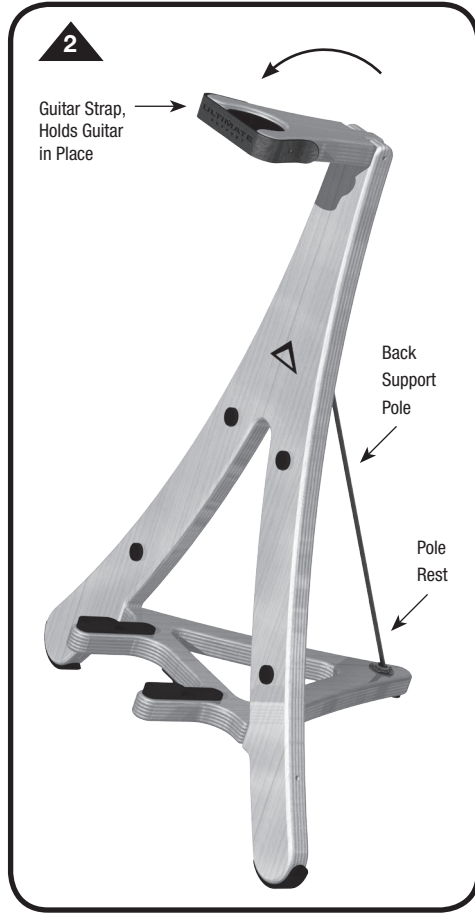


# SET-UP



## STEP 1

Gently rest the AXW on the ground so that it is standing on its two wooden legs, perpendicular to the ground. Continue to hold the AXW by the yoke with one hand. With your free hand, gently flip the triangular Guitar Rest back until it rests on the ground.



## STEP 2

Place back support pole into pole rest (make sure the pole is fully in place before placing guitar in stand) and gently flip the Guitar Yoke Holder forward. Undo leather strap to place guitar into stand — attach leather strap to secure guitar.

# PRODUCT VALUE



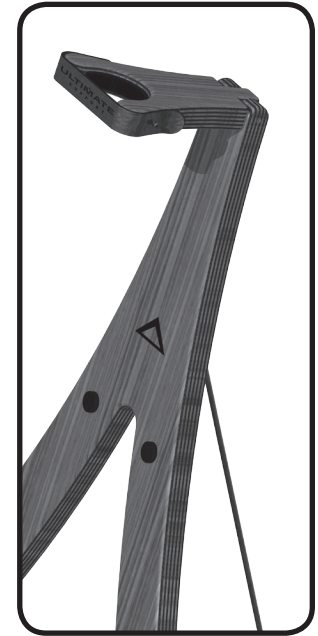
Maple Guitar Stand

**AXW-1**  
ITEM #17225



Beech Guitar Stand

**AXW-2**  
ITEM #17226



Birch Guitar Stand

**AXW-3**  
ITEM #17227

# PROTECTING YOUR STAND

1. Use a felt cloth or high quality Micro Fiber towel/cloth for polishing.
2. Just spray a little on a dry polish cloth and buff in a circular motion and see your finish SHINE. (Only use guitar polish on your stand)

*Please view warning on back of manual for proper care of your guitar with stand.*