

IBM Mobile Systems

S09N-8590-00

ThinkPad 240

Hardware Maintenance Manual

December 2000

Before using this information and the product it supports, be sure to read the general information under "Read This First" on page 1.

Second Edition (October 1999)

The following paragraph does not apply to the United Kingdom or any country where such provisions are inconsistent with local law:

INTERNATIONAL BUSINESS MACHINES CORPORATION PROVIDES THIS PUBLICATION "AS IS" WITHOUT ANY WARRANTY OF ANY KIND, EITHER EXPRESS OR IMPLIED, INCLUDING, BUT NOT LIMITED TO, THE LIMITED WARRANTIES OF MERCHANTABILITY OR FITNESS FOR A PARTICULAR PURPOSE. Some states do not allow disclaimers or express or implied warranties in certain transactions; therefore, this statement may not apply to you.

This publication could include technical inaccuracies or typographical errors. Changes are periodically made to the information herein; these changes will be incorporated in new editions of the publication. IBM may make improvements or changes in the products or the programs described in this publication at any time.

It is possible that this publication may contain references to, or information about, IBM products (machines and programs), programming, or services that are not announced in your country. Such references or information must not be construed to mean that IBM intends to announce such IBM products, programming, or services in your country.

Requests for technical information about IBM products should be made to your IBM Authorized Dealer or your IBM Marketing Representative.

© Copyright International Business Machines Corporation 1999. All rights reserved. Note to US Government Users — Documentation related to restricted rights — Use, duplication, or disclosure is subject to restrictions set forth in GSA ADP Schedule Contract with IBM Corp.

Contents

ThinkPad 240 Hardware Maintenance Manual	1
Read This First	1
What to Do First	2
How to Disable the Password	3
Product Overview	4
Fn Key Combinations	5
Status Indicators	6
Checkout Guide	7
Audio Checkout	8
Fan ASM Checkout	8
Keyboard and Auxiliary Input Device Checkout	9
Memory Checkout	9
Modem Board Checkout	10
Power System Checkout	10
TrackPoint Checkout	12
I/O Ports Checkout	13
Power Management Features	13
Symptom-to-FRU Index	16
Numeric Error Codes	16
Error Messages	18
No Beep Symptoms	19
LCD-Related Symptoms	19
Keyboard-Related Symptoms	19
Indicator-Related Symptoms	19
Power-Related Symptoms	20
PC Card (PCMCIA)-Related Symptoms	20
Speaker-Related Symptoms	20
Power Management-Related Symptoms	20
Peripheral-Device-Related Symptom	21
Intermittent Problems	21
Undetermined Problems	22
CE Utility Program Diskette	23
Writing the VPD Data	23
Flash UUID	23
Running the Diagnostics	23
FRU Removals and Replacements	24
FRU Service Procedures	24
1010 Battery ASM	26
1020 Hard Disk Drive	27
1030 Keyboard	28
1040 Modem Card	30
1050 DIMM Card	31
1060 LCD Unit ASM	32
1070 Upper Cover ASM	34
1080 Speaker ASM	36
1085 Select Button ASM	37
1090 Cable ASM and Cable ASM LED-R	38
1100 Fan ASM	39
1110 Modem Cable ASM	41
1120 Water Channel ASM	42
1130 System Board	43

1135 Rear Bracket	45
1140 PCMCIA Slots	46
1150 LCD Bezel ASM	47
1160 LCD Inverter ASM	48
1170 LCD Panel ASM (LCD Type A and B)	49
1180 LCD FPC ASM (LCD Type A)	51
1185 LCD FPC ASM (LCD Type B)	52
1190 Hinge ASM	53
Computer Parts Listing	54
LCD Unit Parts Listing (LCD Type A)	58
LCD Unit Parts Listing (LCD Type B)	59
Service Tools	59
Notices	61
Trademarks	61

ThinkPad 240 Hardware Maintenance Manual

About This Manual

This manual contains service and reference information for the IBM ThinkPad 240 products. Use this manual along with the diagnostics tests to troubleshoot problems effectively.

There are two models of LCD panel used with the ThinkPad 240: LCD Type A and LCD Type B. Check the last five letters of the unit's serial number you are servicing to determine the model.

LCD Type A:

All ThinkPad 240 computers that have serial numbers whose last five *alphanumeric characters* are "00001" to "YZZZZ" are fitted with Type A panels.

Note: The number range is from 00001 to 99999, and the letter range is from AAAAA to YZZZZ.

LCD Type B:

All ThinkPad 240 computers that have serial numbers whose last five *letters* are "ZAAAA" to "ZZZZZ" are fitted with Type B panels.

The servicer need only check the fifth letter from the end. If the fifth letter from the end is "0 — Y" (inclusive), then the LCD panel is Type A. If the fifth letter from the end is "Z", then the LCD panel is Type B.

The manual is divided into sections as follows:

- The introduction section provides general information, guidelines, and safety information required to service computers.
- The product-specific section includes service, reference, and product-specific parts information.

This manual is intended for trained servicers who are familiar with ThinkPad products. Use this manual along with the PC Doctor to troubleshoot problems effectively.

Read This First

Before you go to the checkout guide, be sure to read this section.

Important Notes

- **Only certified trained personnel should service the computer.**
- Read the entire FRU service procedures before replacing any FRUs.

- **Use new nylon-coated screws when you replace FRUs.**
- **Be extremely careful during write operations such as copying, saving, or formatting.** Drives in the computer that you are servicing might have been rearranged or the drive startup sequence might have been altered. If you select an incorrect drive, data or programs might be overwritten.
- **Replace FRUs only for the correct model.** When you replace a FRU, make sure the model of the computer and FRU part number are correct by referring to the FRU parts list.
- **A FRU should not be replaced because of a single, unreproducible failure.** Single failures can occur for a variety of reasons that have nothing to do with a hardware defect, such as: cosmic radiation, electrostatic discharge, or software errors. FRU replacement should be considered only when a recurring problem exists. If this is suspected, clear the error log and run the test again. Do not replace any FRUs if log errors do not reappear.

Be careful not to replace a non-defective FRU.

What to Do First

The servicer must include the following in the parts exchange form or parts return form that is attached to the returned FRU:

1. Name and phone number of servicer
2. Date of service
3. Date when part failed
4. Date of purchase
5. Failure symptoms, error codes appearing on the display, and beep symptoms
6. Procedure index and page number in which the failing FRU was detected
7. Failing FRU name and part number
8. Computer type, model number and serial number
9. Customer's name and address

Before checking problems with the computer, determine whether or not the damage applies to the warranty by referring to the following:

Note for Warranty: During the warranty period, the customer may be responsible for repair costs if the computer damage was caused by misuse, accident, modification, unsuitable physical or operating environment, or improper maintenance by the customer. The following list provides some common items that are not covered under warranty

and some symptoms that may indicate that the system was subjected to stresses beyond normal use:

The following is not covered under warranty:

- LCD panel cracked by applying excessive force or from being dropped
- Scratched (cosmetic) parts
- Cracked or broken plastic parts, broken latches, broken pins, or broken connectors caused by excessive force
- Damage caused by liquid spilled into the system
- Damage caused by the improper insertion of a PC Card or the installation of an incompatible card
- Damaged or bent PC Card eject button
- Fuses blown by attachment of a non-supported device
- Forgotten computer password (making the computer unusable)

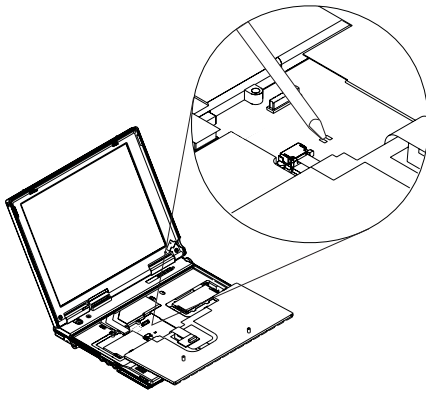
The following symptoms might indicate damage caused by non-warranted activities:

- Missing parts might be a symptom of unauthorized service or modification.
- Hard disk drive spindles can become noisy from being subjected to excessive force or from being dropped.

How to Disable the Password

There are three passwords used at a typical customer site: the Supervisor Password, the hard disk drive password, and the Power On password.

- Power On password:
 1. Power off the computer.
 2. Remove the battery pack and AC Adapter.
 3. Open the keyboard and disconnect the keyboard connector from the system board, see "1030 Keyboard" on page 28.
 4. Short the jumper JP1. See the following figure:



5. Close the keyboard.
6. Power on the computer and wait until POST ends.
7. Verify that the password prompt does not appear.

- Supervisor and hard disk drive passwords:

The Supervisor Password and hard disk drive password are security features that are used to protect the system and the hard disk drive data from unauthorized access. No overriding capability is provided, so it cannot be replaced if they are forgotten. If the customer forgets the Supervisor Password, the system board must be replaced. If the customer forgets the hard disk drive password, the hard disk drive must be replaced.

Product Overview

The following shows an overview of the system features of the ThinkPad 240 computer.

Feature	Description
Processor	Intel** Celeron** processor 366 MHz, 128KB L2 cache
Bus architecture	PCI Bus
Memory	64 MB SDRAM onboard only 32 MB, 64 MB or 128 MB DIMM card (max. 192 MB)
BIOS ROM	up to 512 Kbytes
Video	<ul style="list-style-type: none"> • 10.4-inch, 16M colors, 800x600 pixel TFT color LCD

Feature	Description
Audio	<ul style="list-style-type: none"> • 16-bit audio • Internal speaker • Internal microphone
Hard disk drive	<ul style="list-style-type: none"> • 3.2/6.4GB, 2.5-inch, IDE interface
I/O ports	<ul style="list-style-type: none"> • External monitor • Headphone/line-out • Line-in • Microphone-in • Mouse/keyboard • Parallel • Serial • USB • RJ11 • External diskette drive
Infrared transfer	IrDA 1.1
Internal modem	56Kbps (depends on the model)
PC Card (PCMCIA)	One Type II CardBus support
AC Adapter	56-Watt type

Fn Key Combinations

The following table shows the Fn key and function key combinations and their corresponding functions.

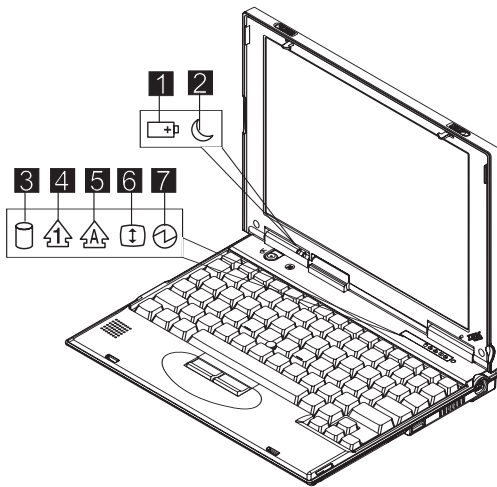
The Fn key works independently of the operating system. The operating system obtains the status through the system management interface to control the system.

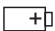

Fn +	Result
F3	Standby mode
F4	Suspend mode
F5	Decrease brightness
F6	Increase brightness
F7	Switch between the LCD, the external monitor, and both the LCD and external monitor.
F8	Switch power mode
F9	Hibernation mode
F10	Print screen
F11	Scroll lock
F12	Pause
0 (zero)	Activates the system request function
- (minus)	Enables the numeric keypad
=	Signals a break






Fn +	Result
Up arrow	Page up
Down arrow	Page down
Left arrow	Home
Right arrow	End
Insert	Decreases the internal speaker volume
Delete	Increases the internal speaker volume
Back-space	Mutes the internal speaker

Status Indicators

The system status LED indicators show the current computer status. The following shows the location of each indicator symbol and the meaning of each indicator.



Symbol	Color	Meaning
(1) Battery status 	Green	Enough battery power remains for operation.
	Blinking orange	The battery pack needs to be charged.
	Orange	The battery pack is being charged.
(2) Suspend mode 	Green	The computer is in suspend mode.
	Blinking green	The computer is entering suspend mode.

Symbol	Color	Meaning
(3) Drive in use 	Orange	Data is being read from or written to the hard disk drive. Do not enter hibernation mode or power off the computer when this indicator is on.
(4) Numeric lock 	Green	The numeric keypad on the keyboard is enabled. You enable or disable the keypad by pressing and holding the Fn key, and pressing the NumLk key. For details, see the User's Reference.
(5) Caps lock 	Green	Caps Lock mode is enabled. All alphabetic characters (A-Z) are entered in capital letters without the Shift key being pressed. You enable or disable the Caps Lock mode by pressing and holding the Fn key, and pressing the Caps Lock key.
(6) Scroll lock 	Green	Scroll Lock mode is enabled. The Arrow keys can be used as screen-scroll function keys. The cursor cannot be moved with the Arrow keys. <i>Not all application programs support this function.</i> You enable or disable Scroll Lock mode by pressing and holding the Fn key, and pressing the ScrLk key.
(7) Power on 	Green	The computer is operational. This indicator is always on when the computer is on and not in suspend mode.

Checkout Guide

Use the following procedure as a guide for computer problems.

Note: The diagnostic tests are intended to test only IBM products. Non-IBM products, prototype cards, or modified options can give false errors and invalid system responses.

1. Obtain the failing symptoms in as much detail as possible.
2. Verify the symptoms by attempting to recreate the failure by running the diagnostic test or by repeating the same operation.

Note: To run the diagnostics, refer to "Running the Diagnostics" on page 23

3. Use the following table with the verified symptom to determine which page to go to. Search the symptoms column and find the description that best matches your symptom; then go to the page shown in the "Go to" column.

Symptoms (Verified)	Go to
Power failure. (The power-on indicator does not go on or stay on.)	"Power System Checkout" on page 10, then use table in "Power-Related Symptoms" on page 20.
POST does not complete. No beeps or error codes/messages are indicated.	"Symptom-to-FRU Index" on page 16, then use table in "No Beep Symptoms" on page 19.
POST beeps, but no error codes are displayed.	"Symptom-to-FRU Index" on page 16.
POST detected an error and displayed numeric error codes.	"Symptom-to-FRU Index" on page 16, then use table in "Numeric Error Codes" on page 16.
The diagnostic test detected an error and displayed a FRU code.	"Running the Diagnostics" on page 23.
Other symptoms (such as LCD display problems).	"Symptom-to-FRU Index" on page 16.
Symptoms cannot be recreated (intermittent problems).	Use the customer-reported symptoms, and go to "Symptom-to-FRU Index" on page 16.

Audio Checkout

Do as follows:

1. Boot from the diagnostics diskette and start the program.
2. Go to **Interactive Tests** on the main menu and select the **Internal Speaker** test.
3. If no sound is heard, replace the speaker.

Fan ASM Checkout

To check the fan ASM, do the following:

1. Boot from the diagnostics diskette and start the program.

2. Go to **Diagnostics** on the main menu and select **Other Devices**.
3. Follow the description in the window. If the test detects a fan ASM problem, replace the fan.

Keyboard and Auxiliary Input Device Checkout

Note: Remove the external keyboard if the internal keyboard is to be tested.

If the internal keyboard does not work or an unexpected character appears, make sure that the flexible cable extending from the keyboard is correctly seated on the connector.

If the keyboard cable connection is correct, run the Keyboard Test. See “Running the Diagnostics” on page 23 for details.

If the test detects a keyboard problem, do the following one at a time to correct the problem. Do not replace a non-defective FRU.

1. Replace the keyboard.
2. Replace the system board.

The following auxiliary input devices are supported for this computer:

- Numeric keypad
- Mouse (PS/2 compatible)
- External keyboard (with keyboard/mouse cable)

If any of these devices do not work, reseat the cable connector and repeat the failing operation.

If the problem does not reoccur, replace the device and then the system board.

Memory Checkout

DIMM are available for increasing memory capacity.

Onboard (MB)	Slot (MB)	Total Memory (MB)
32	0	32
32	32	64
32	64	96
32	128	160
64	0	64
64	32	96
64	64	128
64	128	192

Memory errors might stop system operation, show error messages on the screen, or hang the system.

Use the following procedure to isolate memory problems:

1. Turn off the computer and remove any installed DIMM from its slot.
2. Boot from the diagnostics diskette and start the program.
3. Go to **Diagnostics** on the main menu and select **Memory Test**. If an error appears, replace the system board.
4. Turn off the computer and reinstall the DIMM; then turn on the computer. Verify the memory size; then test the memory. If an error appears, replace the DIMM.

Note: Make sure that the DIMM is properly installed into the connector. A loose connection can cause an error.

Modem Board Checkout

Do the following to isolate the problem to the system internal modem:

1. Boot from the diagnostics diskette and start the program.
2. Go to **Diagnostics** on the main menu and select **Other Devices**.
3. Follow the description in the window.
4. If the test detects a modem problem, replace the modem card.

Power System Checkout

To verify the symptom of the problem power on the computer using each of the following power sources:

1. Remove the battery ASM.
2. Connect the AC Adapter and check that power is supplied.
3. Disconnect the AC Adapter and install the charged battery ASM; then check that power is supplied by the battery ASM.

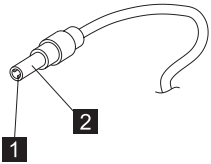
If you suspect a power problem, refer to the appropriate power supply check listed below:

- "Checking the AC Adapter" on page 11
- "Checking the Operational Charging" on page 11
- "Checking the Battery ASM" on page 11

Checking the AC Adapter: You are here because the computer fails only when the AC Adapter is used:

- If the power-on indicator does not turn on, check the power cord of the AC Adapter for correct continuity and installation.
- If the operational charge does not work, go to “Checking the Operational Charging.”

Unplug the AC Adapter cable from the computer and measure the output voltage at the plug of the AC Adapter cable. See the following figure.



Pin	Voltage (V dc)
1	+15.5 to +17.0
2	Ground

If the voltage is not correct, replace the AC Adapter.

If the voltage is within the range, do the following:

- Replace the system board.
- If the problem is not corrected, go to “Undetermined Problems” on page 22

Note: An audible noise from the AC Adapter does not always indicate a defective adapter.

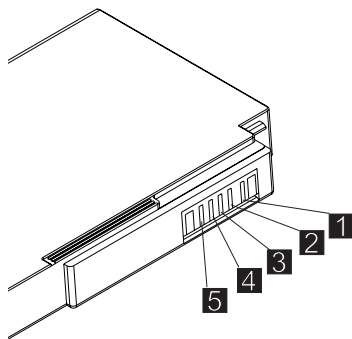
Checking the Operational Charging: To check operational charging, use a discharged battery pack (battery ASM) or a battery ASM that has less than 50% of the total power remaining when installed in the computer.

Perform operational charging. If the battery status indicator does not turn on, remove the battery ASM and let it return to room temperature. Reinstall the battery ASM.

If the charge indicator still does not turn on, replace the battery ASM. If the charge indicator still does not turn on, replace the system board. Then reinstall the battery ASM. If the reinstalled battery ASM is not charged, go to the next section.

Checking the Battery ASM: Do the following:

1. Power off the computer.
2. Remove the battery ASM and measure the voltage between battery terminals 1(+) and 5(-). See the following figure:



Note: Signal lines, not used in these steps, are used for communications between the system and the battery.

3. If the voltage is less than 10.6V, the battery ASM has been discharged, recharge the battery ASM. If the voltage is still less than 10.6V, replace the battery.

TrackPoint Checkout

If the external mouse is connected, the TrackPoint does not work. In this case, please detach the external mouse to check the TrackPoint.

If this does not correct the TrackPoint problem, continue with the following:

After you use the TrackPoint, the pointer drifts on the screen for a short time. This self-acting pointer movement can occur when a slight, steady pressure is applied to the TrackPoint pointer. This symptom is not a hardware problem. No service actions are necessary if the pointer movement stops in a short period of time.

If a click button problem or pointing stick problem occurs, do the following:

1. Boot from the diagnostics diskette and start the program.
2. Go to **Interactive Tests** on the main menu and select **Mouse**.
3. Follow the instructions in the message window.

If either the pointing stick or the click button does not work, do the following actions one at a time to correct the problem. Do not replace a non-defective FRU.

1. Reseat the keyboard Touchbutton cables.
2. Replace the keyboard.
3. Replace the system board.

I/O Ports Checkout

Note: Be sure to enable the serial and parallel ports in the BIOS setup utility before performing diagnostics tests on the I/O ports.

Also, be sure to write down the I/O address for the serial port to identify the port in the diagnostic test.

Do perform a diagnostics checkout on the I/O ports:

1. Boot from the diagnostics diskette and start the program.
2. Go to **Diagnostics** on the main menu and select **Serial Ports** or **Parallel Ports**.

Note: If you want to do a check on the infrared port, select **Serial Ports**.

3. In the Serial Port Test Category, you can check four items:
 - Registers and Interrupts
 - Internal Loopback
 - External Loopback
 - FIFO Buffers (16550A)

Move the cursor to the item you want to check, and press Enter. Then follow the instructions on the screen.

Note: To do an External Loopback test, you must have a Loopback plug.

4. In the Parallel Port Test Category, you can check two items:
 - Command And Data Port
 - External Loopback And IRQ

Move the cursor to the item you want to check, and press Enter. Then follow the instructions on the screen.

Note: To do an External Loopback And IRQ test, you must have a Loopback plug.

Power Management Features

Three power management modes are available in the computer system to reduce power consumption and to prolong battery life.

Standby Mode: In standby mode, the following occurs:

- The LCD backlight turns off.
- The hard disk drive motor stops.

Events that cause the computer to enter standby mode:

- Standby mode requested by the Fn key (Fn+F3).

The computer exits standby and resumes operation when any key is pressed.

Suspend Mode: In suspend mode, the following occurs:

- The LCD is powered off.
- The hard disk drive is powered off.
- The CPU stops.

Events that cause the computer to enter suspend mode:

- Suspend mode requested by the Fn key (Fn+F4).
- The Lid is closed.
- The specified time has elapsed.
- Battery low occurs and hibernation conditions are insufficient.

Note: When battery is low, the battery status indicator blinks orange.

Note: In the IBM BIOS Setup Utility, the computer can be set to suspend when the lid is closed.

The following events cause the computer to resume operation from suspend mode:

- The Lid is opened.
- The real time clock alarm is signaled.
- The ring indicator (RI) is signaled by a PC Card device or the internal modem.
- The Fn key is pressed.
- Power switch is pressed.

The computer also exits suspend mode when the battery is critically low or timer conditions are satisfied for entering hibernation mode.

Hibernation Mode: For Windows NT user:

A Windows NT user cannot create a hibernation file in a Windows NT system that uses the NTFS format system. If you want to use hibernation mode, you should reinstall Windows NT with a FAT format system. Also, if boot manager is installed, the computer cannot enter hibernation mode.

Note: Before using hibernation mode, you need a hibernation file.

In hibernation mode, the following occurs:

- The system status, RAM, VRAM, and setup data are stored on the hard disk.
- The system is powered off.

Events that cause the computer to enter hibernation mode:

- Hibernation mode requested by function key (Fn+F9).

- Timer conditions are satisfied in suspend mode when hibernate by timer is enabled.
- A critically low battery condition occurs.
- The power switch is pressed. (BIOS Setup)

The computer exits hibernation mode and resumes operation when the power-on switch is pressed. When power is turned on, the hibernation file in the boot record on the hard disk drive is read and the system status is restored from the hard disk drive.

The power switch must be pressed to cause the computer to resume operation from hibernation mode.

How to Create the Hibernation Function: Do as follows:

- Turn off the computer.
- Insert the hibernation utility diskette into the diskette drive (you can create the diskette using the Diskette Factory).
- Turn on the computer.
- Follow the instructions on the screen.

Note: If you change the memory size, you need to recreate the hibernation file or partition. For partition-based hibernation, use the hibernation utility to delete the partition first before creating a new one.

Symptom-to-FRU Index

The Symptom-to-FRU Index lists the symptoms and errors and the possible causes. The most likely cause is listed first.

Note: Perform the FRU replacement or actions in the sequence shown in the FRU/Action columns. If a FRU replacement does not solve the problem, put the original part back in the computer. Do not replace a non-defective FRU.

This index can also be used to help you decide the next possible FRUs to be replaced when servicing a computer.

Numeric error codes show the errors detected in POST or system operation (runtime). In the following error codes, X can be any number. If no codes are available, use narrative symptoms.

If the symptom is not listed, go to “Undetermined Problems” on page 22.

Note: For IBM devices not supported by diagnostic codes in this ThinkPad computer, see the manual for that device.

Numeric Error Codes

The following is a list of the message that the BIOS can display. Most of them occur during POST. Some of them display information about a hardware device, e.g., the amount of memory installed. Others may indicate a problem with a device, such as the way it has been configured. Following the list are explanations of the messages and remedies for reported problems.

If the system fails after you make changes in the Setup menus, reset the computer, enter Setup and install Setup defaults or correct the error.

Symptom/Error	FRU/Action in Sequence
0200 Failure Fixed Disk	<ol style="list-style-type: none">1. Reseat hard disk drive.2. Load Setup Defaults in BIOS Setup Utility.3. Hard disk drive4. System board
0211 Stuck Key	Go to “Keyboard and Auxiliary Input Device Checkout” on page 9.
0211 Keyboard error	Go to “Keyboard and Auxiliary Input Device Checkout” on page 9.
0212 Keyboard Controller Failed	Go to “Keyboard and Auxiliary Input Device Checkout” on page 9.

Symptom/Error	FRU/Action in Sequence
0213 Keyboard locked — Unlock key switch	Unlock external keyboard.
0220 Monitor type does not match CMOS — Run Setup	Load Setup Defaults in BIOS Setup Utility.
0230 Shadow RAM Failed at offset:nnnn	System board
0231 System RAM Failed at offset:nnnn	1. DIMM 2. System board
0232 Extended RAM Failed at offset:nnnn	1. DIMM 2. System board
0250 System battery is dead	System board
0251 System CMOS checksum bad — Default configuration used	System board
0260 System timer error	1. Run BIOS Setup Utility to reconfigure the system, then reboot the system. 2. System board
0270 Real time clock error	1. Run BIOS Setup Utility to reconfigure the system, then reboot the system. 2. System board
0280 Previous boot incomplete — Default configuration used	1. Load Setup Defaults in the BIOS Setup Utility. 2. System board

Symptom/Error	FRU/Action in Sequence
0281 Memory size found by POST differed from CMOS	<ol style="list-style-type: none"> 1. Load Setup Defaults in the BIOS Setup Utility. 2. DIMM 3. System board
02D0 System cache error — Cache disabled	System board
02F0 CPU ID:	System board
02F5 DMA Test Failed	<ol style="list-style-type: none"> 1. DIMM 2. System board
02F6 Software NMI Failed	<ol style="list-style-type: none"> 1. DIMM 2. System board
02F7 Fail-Safe Timer NMI Failed	<ol style="list-style-type: none"> 1. DIMM 2. System board

Error Messages

Symptom/Error	FRU/Action in Sequence
Device Address Conflict	<ol style="list-style-type: none"> 1. Load Setup Defaults in BIOS Setup Utility. 2. System board
Allocation Error for: device	<ol style="list-style-type: none"> 1. Load Setup Defaults in BIOS Setup Utility. 2. System board
Failing Bits: nnnn	<ol style="list-style-type: none"> 1. DIMM 2. System board
Invalid System Configuration Data	System board
I/O device IRQ conflict	<ol style="list-style-type: none"> 1. Load Setup Defaults in BIOS Setup Utility. 2. System board
Operating system not found	<ol style="list-style-type: none"> 1. Enter BIOS Setup Utility and see if the hard disk drive and diskette drive A: are properly identified. 2. Hard disk drive 3. System board

No Beep Symptoms

Symptom/Error	FRU/Action in Sequence
No beep, power-on indicator on, LCD blank, no POST	<ul style="list-style-type: none"> • Ensure every connector is connected tightly and correctly. • DIMM • System board
No beep, power-on indicator off, LCD blank during POST	<ul style="list-style-type: none"> • Battery ASM • AC Adapter • System board
No beep, power-on indicator on, LCD blank during POST	<ul style="list-style-type: none"> • Reseat DIMM. • System board
No beep during POST but system runs correctly.	Speaker

LCD-Related Symptoms

Symptom/Error	FRU/Action in Sequence
LCD backlight not working LCD too dark LCD brightness cannot be adjusted LCD contrast cannot be adjusted	<ol style="list-style-type: none"> 1. Reseat the LCD connector. 2. LCD FPC ASM 3. LCD inverter 4. LCD 5. System board
LCD screen unreadable Character missing Screen abnormal Wrong color displayed	<ol style="list-style-type: none"> 1. Reseat the LCD connector. 2. LCD FPC ASM 3. LCD inverter 4. LCD 5. System board
LCD has extra horizontal or vertical lines displayed.	<ol style="list-style-type: none"> 1. LCD FPC ASM 2. LCD inverter 3. LCD 4. System board

Keyboard-Related Symptoms

Symptom/Error	FRU/Action in Sequence
Keyboard (one or more keys) doesn't work.	<ol style="list-style-type: none"> 1. Reseat the keyboard cable. 2. Keyboard 3. System board

Indicator-Related Symptoms

Symptom/Error	FRU/Action in Sequence
Indicator incorrectly remains off or on, but system runs correctly.	<ol style="list-style-type: none"> 1. Reseat the LED cable. 2. LED cable 3. System board

Power-Related Symptoms

Symptom/Error	FRU/Action in Sequence
Power shuts down during operation.	<ol style="list-style-type: none"> 1. Battery 2. AC Adapter 3. System board
The system will not power on.	<ol style="list-style-type: none"> 1. Battery ASM 2. AC Adapter 3. System board
The system will not power off.	<ol style="list-style-type: none"> 1. System board
Battery can't be charged.	<ul style="list-style-type: none"> • Battery • System board

PC Card (PCMCIA)-Related Symptoms

Symptom/Error	FRU/Action in Sequence
System cannot detect the PC Card (PCMCIA)	<ol style="list-style-type: none"> 1. PC Card (PCMCIA) slots assembly 2. System board

Speaker-Related Symptoms

Symptom/Error	FRU/Action in Sequence
Speakers make noise or no sound comes from system.	<ol style="list-style-type: none"> 1. Speaker 2. System board
In DOS or Windows multimedia programs, no sound comes from the computer.	<ol style="list-style-type: none"> 1. Speaker 2. System board

Power Management-Related Symptoms

Symptom/Error	FRU/Action in Sequence
The system will not enter hibernation mode.	<ol style="list-style-type: none"> 1. Keyboard (if control is from the keyboard) 2. Hard disk drive 3. System board
The system will not wake up from hibernation mode.	<ol style="list-style-type: none"> 1. Keyboard (if control is from the keyboard) 2. Hard disk drive 3. System board

Symptom/Error	FRU/Action in Sequence
The system will not enter suspend mode after closing the LCD.	<ol style="list-style-type: none"> LED Card ASM (R) System board
Battery fuel-gauge does not go higher than 90%.	<ol style="list-style-type: none"> Remove battery ASM and let it cool for 2 hours. Refresh battery (continue using battery in BIOS Setup mode until power off, then charge battery). Battery System board
System configuration does not match the installed devices.	<ol style="list-style-type: none"> Load Setup Defaults and reboot the system.
System hangs intermittently.	<ol style="list-style-type: none"> Fan ASM System board

Peripheral-Device-Related Symptom

Symptom/Error	FRU/Action in Sequence
External display does not work correctly.	System board
USB does not work correctly.	System board
Print problems	<ul style="list-style-type: none"> Run printer self-test. Printer driver Printer cable System board
Serial or parallel port device problems	<ul style="list-style-type: none"> Device driver Device cable Device System board

Note: If you cannot find a symptom or an error in this list and the problem remains, see “Undetermined Problems” on page 22.

Intermittent Problems

Intermittent system hang problems can be caused by a variety of reasons that have nothing to do with a hardware defect, such as cosmic radiation, electronic discharge, or software errors. FRU replacement should be considered only when a recurring problem exists.

When analyzing an intermittent problem, do the following:

- Run the diagnostic test for the system board in loop mode at least 10 times.
- If no error is detected, do not replace any FRUs.

3. If any error is detected, replace the FRU shown by the FRU code. Rerun the test to verify that no more errors exist.

Undetermined Problems

You are here because the diagnostic tests did not identify which adapter or device failed, which installed devices are incorrect, whether a short circuit is suspected, or whether the system is inoperative. Follow these procedures to isolate the failing FRU (do not isolate non-defective FRUs).

Verify that the power supply being used at the time of the failure is operating correctly. (See "Power System Checkout" on page 10.)

1. Power off the computer.
2. Visually check for damage. If any problems are found, replace the FRU.
3. Remove or disconnect all of the following devices:
 - a. Non-IBM devices
 - b. Printer, mouse, and other external devices
 - c. Battery ASM
 - d. Hard disk drive
 - e. DIMM
 - f. PC Cards (PCMCIA)
4. Power on the computer.
5. Determine if the problem has changed.
6. If the problem does not recur, reconnect the removed devices one at a time until you find the failing FRU.
7. If the problem remains, replace the following FRUs one at a time. Do not replace a non-defective FRU.
 - a. System board
 - b. LCD panel ASM

CE Utility Program Diskette

Writing the VPD Data

The EEPROM on the system board contains the Vital Product Data (VPD) — that is, a computer serial number and a system board serial number. When you replace the system board, restore the computer serial number using the VPD Data Utility in the ThinkPad CE Utility Diskette. The serial number label is attached to the computer.

Flash UUID

The EEPROM on the system board contains the Universal Unique ID (UUID) — that is, for Microsoft or Internet use. When you replace the system board using the Flash UUID Utility in the ThinkPad CE Utility Diskette. The UUID utility will automatically assign the UUID via Windows.

Running the Diagnostics

Use either the TrackPoint or the cursor move keys to interact with the tests.

1. Connect the external floppy disk drive to the computer.
2. Insert the PC Doctor startup disk into the diskette drive.
3. Power-on the computer.
4. From the PC DOS 7.0 Startup Menu, select **1. ThinkPad 240** and press Enter.
The PC-Doctor diagnostic program will load.
5. At the main menu, select the test to run.
6. Press **Enter** to run the test selected.
7. After starting a test, do not press any key until prompted, then follow the instructions on the screen.
8. When the test is completed, press **Esc** to return to the main menu.
9. Select **Quit/Exit Diags** to exit the diagnostics utility.

FRU Removals and Replacements

This section contains information about removals and replacements.

- Do not damage any parts. Only certified and trained personnel should service the computer.
- The arrows in this section show the direction of movement to remove a FRU, or to turn a screw to release the FRU. The arrows are marked in numeric order, in square callouts, to show the correct sequence of removal.
- When other FRUs must be removed before the failing FRU is removed, they are listed at the top of the page.
- To replace a FRU, reverse the removal procedure and follow any notes that pertain to replacement.
- When replacing a FRU, use the correct screw size, as shown in the procedures.

Safety Notice 1:

Before the computer is powered on after FRU replacement, make sure all screws, springs, or other small parts, are in place and are not left loose inside the computer. Verify this by shaking the computer and listening for rattling sounds. Metallic parts or metal flakes can cause an electrical short circuit.

Safety Notice 4:

The battery can cause a fire, explosion, or severe burn. Do not recharge it, remove its polarized connector, disassemble it, heat it above 100°C (212 °F), incinerate it, or expose its cell contents to water. Dispose of the battery as required by local ordinances or regulations. Use only the battery in the appropriate parts listing. Use of an incorrect battery can result in ignition or explosion of the battery.

Safety Notice 8:

Before removing any FRU, power-off the computer, unplug all power cords from electrical outlets, remove the battery ASM, and then disconnect any interconnecting cables.

An electrostatic discharge (ESD) strap (P/N 6405959) must be used to establish personal grounding.

FRU Service Procedures

Review the following procedures before replacing any FRU.

LCD FRU Replacement Notice: The TFT LCD for the notebook computer contains over 2,359,296 thin-film transistors (TFTs). A small number of missing, discolored, or lighted dots (on all the time) is characteristic of TFT LCD technology, but excessive pixel problems can cause viewing concerns. The LCD should be replaced if the number of missing, discolored, or lighted dots in any background is 8 or more.

Replacing the System Board: When you replace the system board, restore the computer serial number using the VPD Data Utility and reassign the UUID using the Flash UUID Utility in the ThinkPad 240 ThinkPad Hardware Maintenance Diskette.

Note: Do not power off the computer while restoring the VPD.

Important Notice

This computer uses special nylon-coated screws with the following characteristics:

- They maintain tight connections.
- They do not easily come loose, even with shock or vibration.
- They need additional force to tighten.
- They should be used only once.

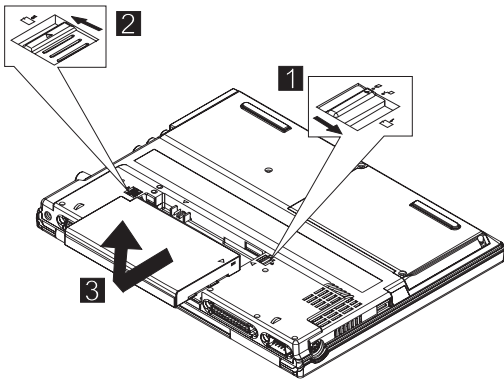
Do the following when you service this computer:

- Have a screw kit (10L1956) available.
- Always use new screws if you are instructed.
- Use a torque screwdriver if you have one.

1010 Battery ASM

To remove the battery ASM:

1. Slide the release lock as shown.



2. Slide the release latch as shown.
3. Remove the battery ASM.

Reverse the steps described above when installing a new battery pack.

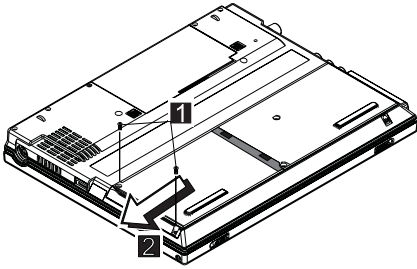
1020 Hard Disk Drive

Warning

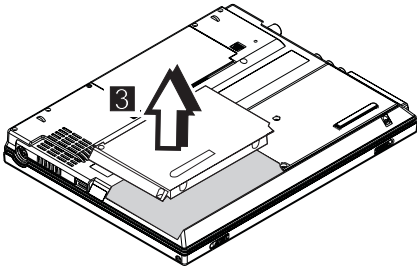
- Do not drop or apply any shock to the hard disk drive. The hard disk drive is sensitive to physical shock. Incorrect handling can cause damage and permanent loss of data on the drive.
- Before removing the drive, have the user make a backup copy of all the information on the drive if possible.
- Never remove the drive while the system is operating or is in suspend mode.

To remove the hard disk drive:

1. Remove the two screws from the hard disk cover.



2. Slide the hard disk drive module as shown.



3. Lift as shown to remove the hard disk drive module.

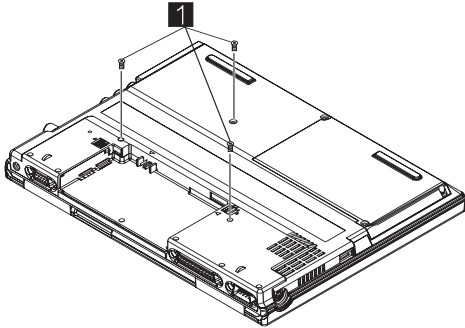
Step	Size (Quantity)	Head & Color	Torque
1	M2.5 x 7L (2)	Flat head, black	2.5 kgf-cm
Note: Make sure you use the correct screw for replacement.			

1030 Keyboard

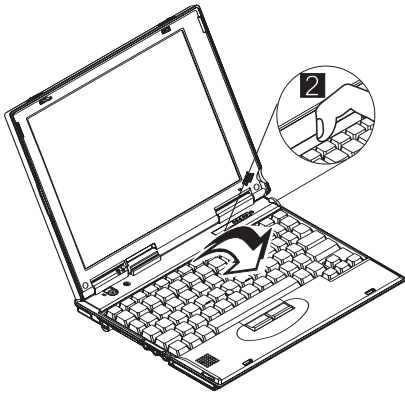
- 1010 Battery ASM

To remove the keyboard:

1. Remove the three screws securing the keyboard.



2. Turn the notebook over; then lift the keyboard as shown.



3. Remove the keyboard stopper sheet screw.
4. Disconnect the keyboard connector from the system board. Remove the keyboard from the lower case.



Step	Size (Quantity)	Head & Color	Torque
1	M2.0 x 9L (3)	Flat head, black	2.5 kgf-cm
3	M2.5 x 6L (1)	Flat head, silver	2.5 kgf-cm

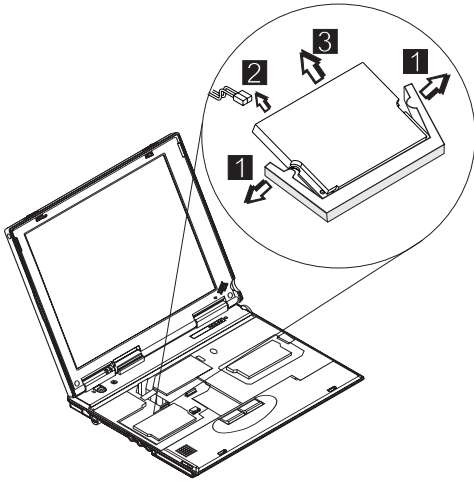
Note: Make sure you use the correct screw for replacement.

1040 Modem Card

- 1010 Battery ASM
- 1030 Keyboard

To remove the modem card:

1. Carefully release the latches on both sides of the modem card.



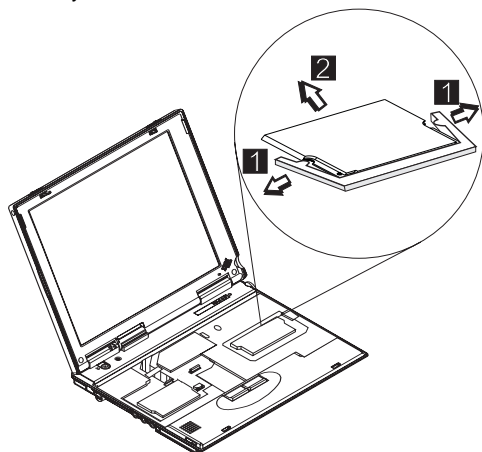
2. Disconnect the modem cable from the connector.
3. Gently remove the modem card.

1050 DIMM Card

- 1010 Battery ASM
- 1030 Keyboard

To remove the memory card:

1. Carefully release the latches on both sides of the memory card.



2. Gently remove the memory card.

1060 LCD Unit ASM

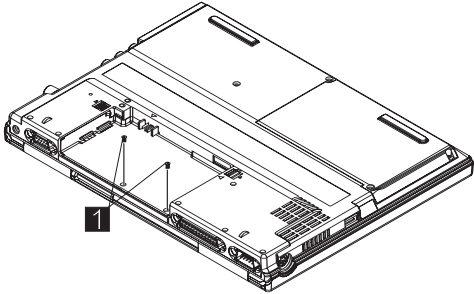
Note: Refer to “ThinkPad 240 Hardware Maintenance Manual” on page 1 for information on LCD Type A and LCD Type B panel designations.

- 1010 Battery ASM
- 1030 Keyboard

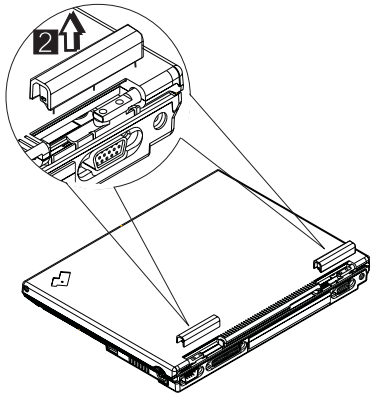
Note: The Cu tape must be reseated firmly after the LCD unit ASM is replaced **3**.

To remove the LCD unit ASM:

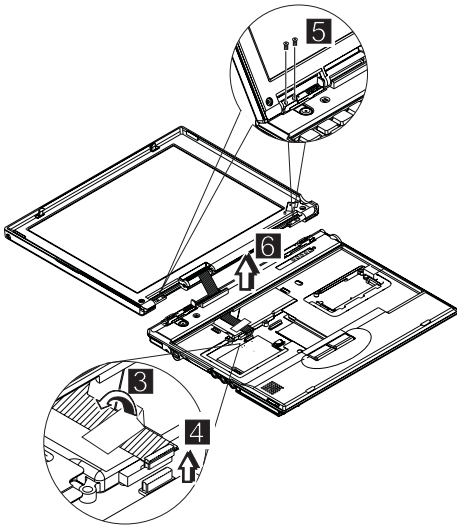
1. Remove the screws as shown.



2. Turn the notebook over; then remove the hinge covers.



3. Remove the Cu tape from the FPC cable.
4. Disconnect the LCD FPC cable from the system board.
5. Remove the LCD hinge screws.
6. Raise the upper cover enough to remove the FPC cable. Remove the LCD unit.



Step	Size (Quantity)	Head & Color	Torque
1	M2.0 x 4L (2)	Flat head, black	2.5 kgf-cm
5	M2.5 x 6 L (4)	Flat head, silver	3.5 kgf-cm

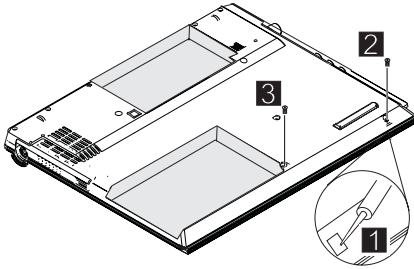
Note: Make sure you use the correct screw for replacement.

1070 Upper Cover ASM

- 1010 Battery ASM
- 1020 Hard Disk Drive
- 1030 Keyboard
- 1060 LCD Unit ASM

To remove the upper cover ASM:

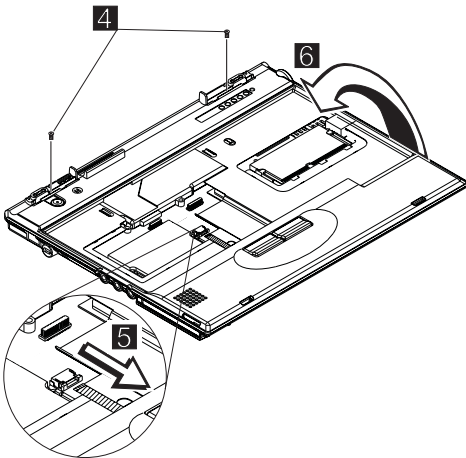
1. Remove the screw cover.
2. Remove the screw.
3. Remove the other screw as shown.



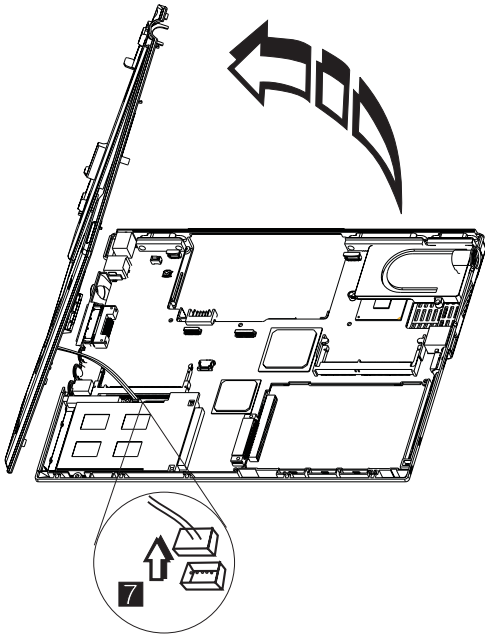
Step	Size (Quantity)	Head & Color	Torque
2	M2.0 x 4L (1)	Flat head, black	2.5 kgf-cm
3	M2.5 x 7L (1)	Flat head, black	2.5 kgf-cm
4	M2.0 x 4L	Flat head, black	2.0 kgf-cm

Note: Make sure you use the correct screw for replacement.

4. Turn the notebook over; then remove the two screws.



5. Disconnect the Touchbutton cable from the system board.
6. Carefully lift the upper cover to expose the speaker connector as shown.
7. Disconnect the speaker cable from the main unit.
Now you can remove the upper cover ASM from the base cover ASM.

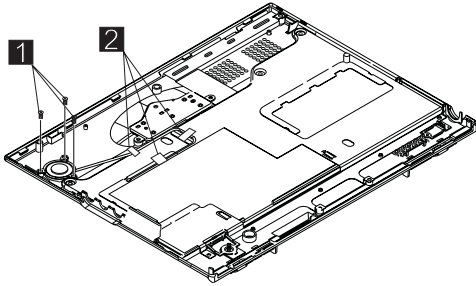


1080 Speaker ASM

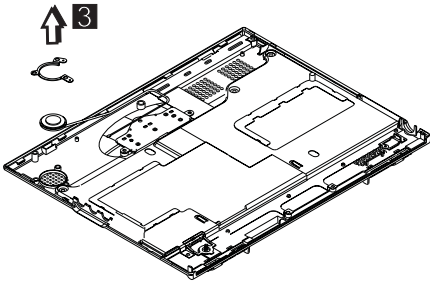
- 1010 Battery ASM
- 1020 Hard Disk Drive
- 1030 Keyboard
- 1060 LCD Unit ASM
- 1070 Upper Cover ASM

To remove the speaker:

1. Remove the three screws securing the speaker.



2. Remove the securing tape from the cable.
3. Gently lift the speaker away from the upper cover.



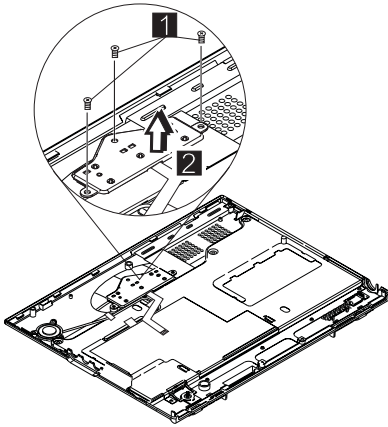
Step	Size (Quantity)	Head & Color	Torque
1	M2.0 x 3L (3)	Flat head, silver	2.5 kgf-cm
Note: Make sure you use the correct screw for replacement.			

1085 Select Button ASM

- 1010 Battery ASM
- 1020 Hard Disk Drive
- 1030 Keyboard
- 1060 LCD Unit ASM
- 1070 Upper Cover ASM

To remove the select button ASM:

1. Remove the three screws as shown.
2. Remove the select button ASM from the top cover ASM.



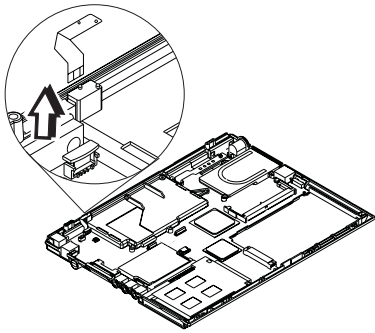
Step	Size (Quantity)	Head & Color	Torque
1	M2.5 x 2.5L (3)	Flat head, silver	2.0 kgf-cm
Note: Make sure you use the correct screw for replacement.			

1090 Cable ASM and Cable ASM LED-R

- 1010 Battery ASM
- 1020 Hard Disk Drive
- 1030 Keyboard
- 1060 LCD Unit ASM
- 1070 Upper Cover ASM

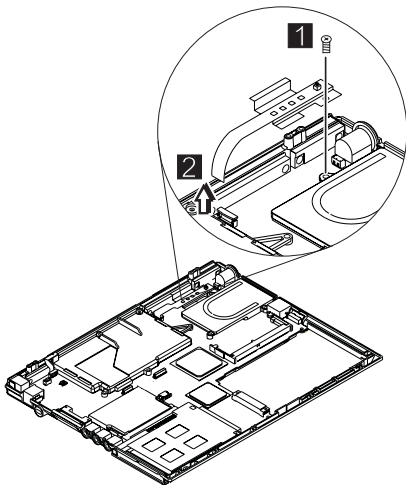
To remove the hinge LED cable:

1. Disconnect the LED cable, then lift it as shown. (The cable is fixed with double-sided tape.)



To remove the cable ASM LED-R:

1. Remove the screw.
2. Disconnect the LED board, then lift it as shown.



Step	Size (Quantity)	Head & Color	Torque
1	M2.0 x 7L (1)	Flat head, silver	2.0 kgf-cm
Note: Make sure you use the correct screw for replacement.			

1100 Fan ASM

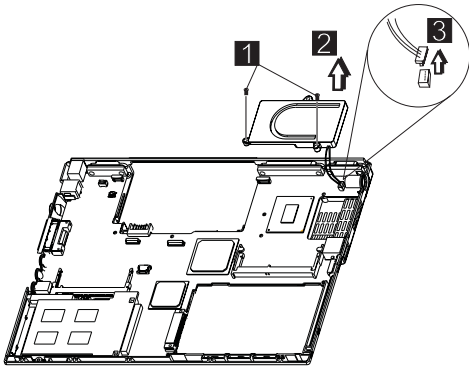
- 1010 Battery ASM
- 1020 Hard Disk Drive
- 1030 Keyboard
- 1060 LCD Unit ASM
- 1070 Upper Cover ASM
- 1090 Cable ASM and Cable ASM LED-R

Warning

Do not apply pressure on the fan blades or hub assembly; doing so can damage the fan bearings.

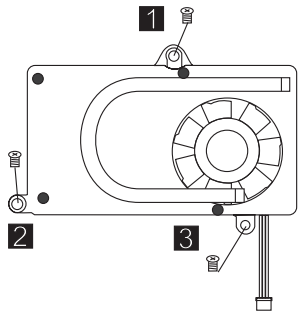
To remove the fan ASM:

1. Remove the two screws securing the fan ASM.
2. Carefully lift the fan ASM.
3. Disconnect the cable from the system board.



Warning

When reassembling the fan, ensure that you insert the screws in the order shown in the following illustration:



Step	Size (Quantity)	Head & Color	Torque
1	M2.0 x 7L (2)	Flat head, silver	2.0 kgf-cm

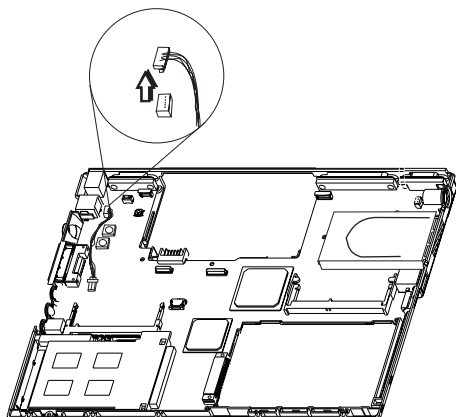
Step	Size (Quantity)	Head & Color	Torque
Note: Make sure you use the correct screw for replacement.			

1110 Modem Cable ASM

- 1010 Battery ASM
- 1020 Hard Disk Drive
- 1030 Keyboard
- 1060 LCD Unit ASM
- 1070 Upper Cover ASM

To remove the modem cable ASM:

- Disconnect the modem cable from the system board.
Remove the cable as shown.

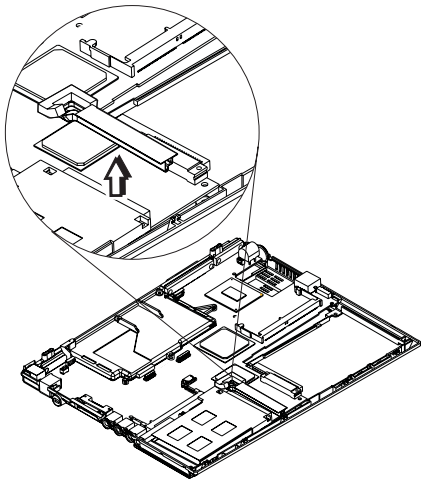


1120 Water Channel ASM

- 1010 Battery ASM
- 1020 Hard Disk Drive
- 1030 Keyboard
- 1060 LCD Unit ASM
- 1070 Upper Cover ASM

To remove the water channel ASM:

- Remove the water channel ASM as shown.

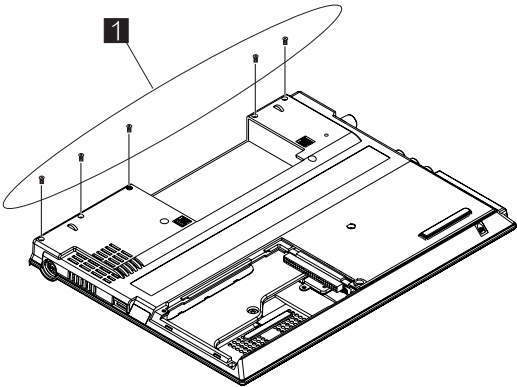


1130 System Board

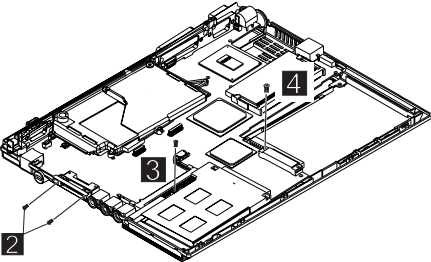
- 1010 Battery ASM
- 1020 Hard Disk Drive
- 1030 Keyboard
- 1060 LCD Unit ASM
- 1070 Upper Cover ASM
- 1090 Cable ASM and Cable ASM LED-R
- 1100 Fan ASM
- 1120 Water Channel ASM

Note: See "Replacing the System Board" on page 25 before proceeding.

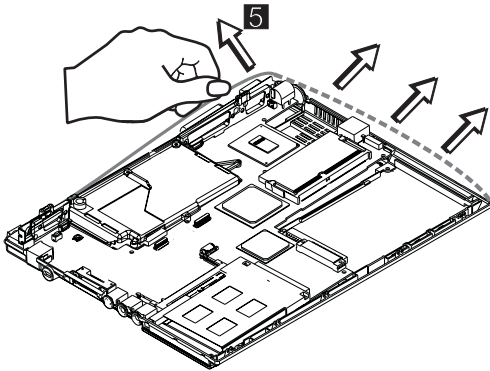
1. Remove the screws as shown.



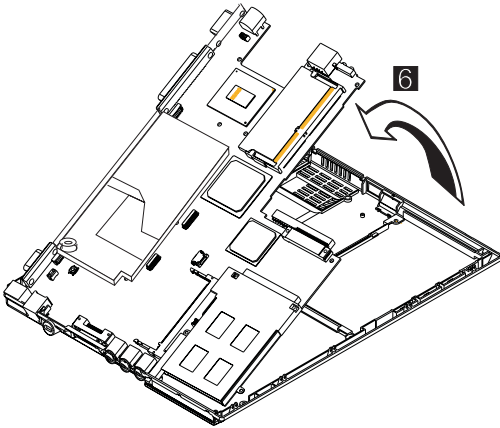
2. Turn the notebook over; remove the two screws from the diskette drive connector.



3. Remove the screw from the PCMCIA slot.
4. Remove the battery terminal screw.
5. Gripping firmly as shown, separate the base cover around the sides from the system board.



6. Remove the system board from the base cover ASM.



Step	Size (Quantity)	Head & Color	Torque
1	M2.0 x 4L (5)	Flat head, black	2.5 kgf-cm
2	M2.0 x 6L (2)	Flat head, black	2.0 kgf-cm
3	M2.0 x 4L (1)	Flat head, black	2.0 kgf-cm
4	M2.0 x 8L (1)	Flat head, black	2.0 kgf-cm

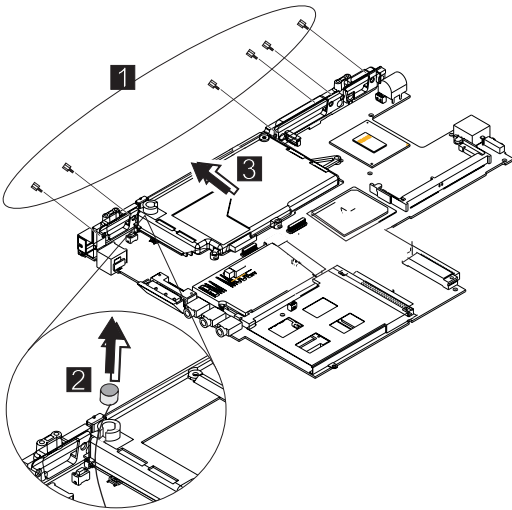
Note: Make sure you use the correct screw for replacement.

1135 Rear Bracket

- 1010 Battery ASM
- 1020 Hard Disk Drive
- 1030 Keyboard
- 1060 LCD Unit ASM
- 1070 Upper Cover ASM
- 1090 Cable ASM and Cable ASM LED-R
- 1100 Fan ASM
- 1120 Water Channel ASM
- 1130 System Board

Note: See "Replacing the System Board" on page 25 before proceeding.

1. Remove the six hexagonal studs as shown.



2. Remove the microphone.
3. Remove the rear bracket.

Step	Size (Quantity)	Head & Color	Torque
1	M2.5 x 4.5L (6)	Hex head, silver	4.0 kgf-cm
Note: Make sure you use the correct screw for replacement.			

1140 PCMCIA Slots

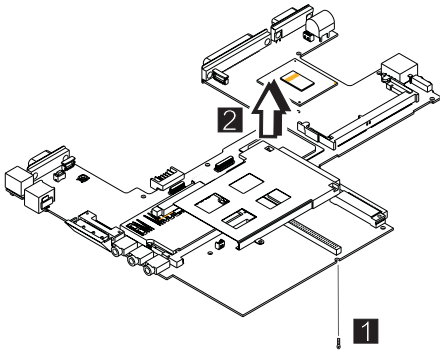
- 1010 Battery ASM
- 1020 Hard Disk Drive
- 1030 Keyboard
- 1060 LCD Unit ASM
- 1070 Upper Cover ASM
- 1090 Cable ASM and Cable ASM LED-R
- 1100 Fan ASM
- 1120 Water Channel ASM
- 1130 System Board

Warning

Special care must be taken when disconnecting the PCMCIA card not to cause a short or damage the connector.

To remove the PCMCIA slots:

1. Remove the screw securing the PCMCIA slot board.



2. Use a flat-bladed screwdriver to disconnect the PCMCIA card from the connector.
3. Carefully remove the PCMCIA card.

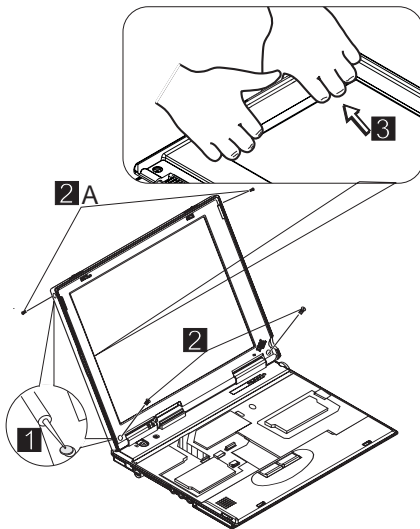
Step	Size (Quantity)	Head & Color	Torque
1	M2.0 x 7L (1)	Flat head, silver	2.0 kgf-cm

Note: Make sure you use the correct screw for replacement.

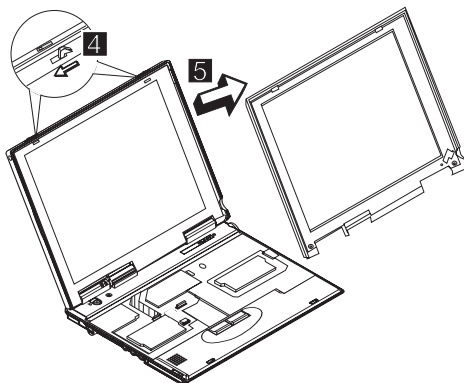
1150 LCD Bezel ASM

- 1010 Battery ASM

1. Remove the screw cap covers.
2. Remove the screws as shown.



3. Gripping as shown, remove the LCD bezel.
4. The LCD latches must be opened as shown to remove the bezel.



5. Remove the bezel from the LCD unit.

Step	Size (Quantity)	Head & Color	Torque
2	M2.5 x 5L (2)	Flat head, black	2.5 kgf-cm
2A	M2.5 x 5L (2)	Flat head, black	1.5 kgf-cm

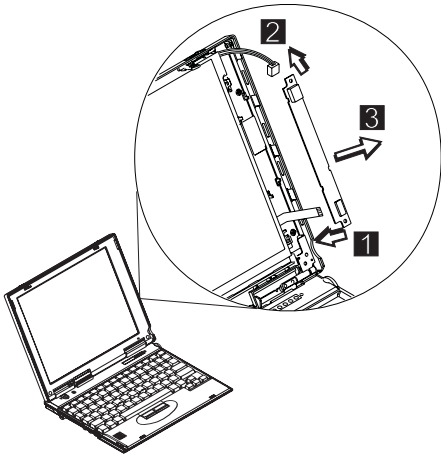
Note: Make sure you use the correct screw for replacement.

1160 LCD Inverter ASM

- 1010 Battery ASM
- 1150 LCD Bezel ASM

To remove the LCD inverter ASM:

1. Disconnect the flex cable from the inverter card.
2. Disconnect the FPC cable from the inverter card.



3. Remove the inverter card. (The inverter card is fixed to the rear cover with double-sided tape.)

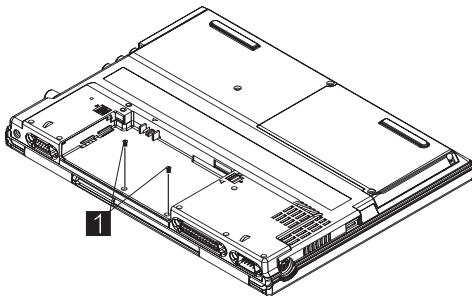
1170 LCD Panel ASM (LCD Type A and B)

Note: Refer to “ThinkPad 240 Hardware Maintenance Manual” on page 1 for information on LCD Type A and LCD Type B panel designations.

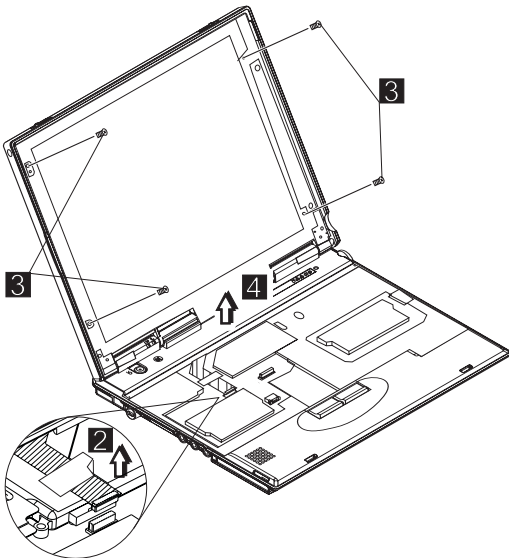
- 1010 Battery ASM
- 1030 Keyboard
- 1150 LCD Bezel ASM
- 1160 LCD Inverter ASM

To remove the LCD Panel:

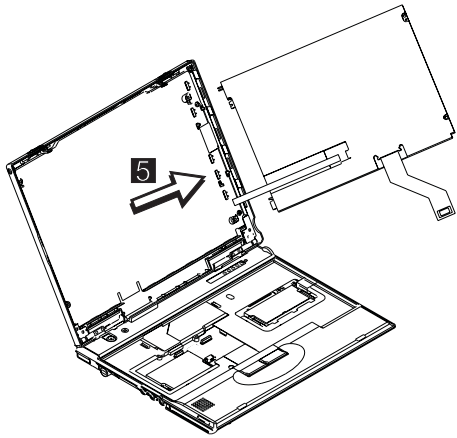
1. Remove the screws as shown.



2. Turn the notebook over; remove the CU tape and disconnect the FPC cable.
3. Remove the four screws securing the LCD Panel.



4. Lift the top cover enough to pass the FPC connector through.



5. Remove the LCD panel.

Step	Size (Quantity)	Head & Color	Torque
1	M2.0 x 4L (2)	Flat head, black	2.5 kgf-cm
3 (LCD Type A)	M2.5 x 4L (4)	Flat head, silver	3.0 kgf-cm
3 (LCD Type B)	M2.0 x 4L (4)	Flat head, silver	3.0 kgf-cm

Note: Make sure you use the correct screw for replacement.

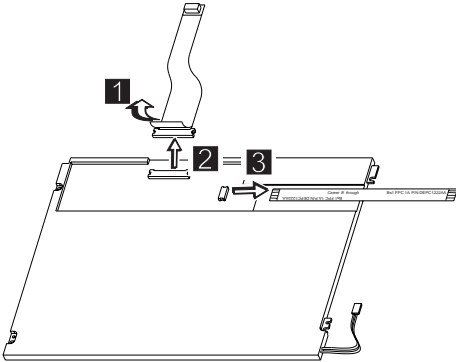
1180 LCD FPC ASM (LCD Type A)

Note: Refer to “ThinkPad 240 Hardware Maintenance Manual” on page 1 for information on LCD Type A and LCD Type B panel designations.

- 1010 Battery ASM
- 1030 Keyboard
- 1150 LCD Bezel ASM
- 1160 LCD Inverter ASM
- 1170 LCD Panel ASM (LCD Type A and B)

Note: When replacing the flex cable in the following procedure, the labelled face of the cable must face away from the LCD panel.

1. Remove the tape from the FPC cable.
2. Disconnect the FPC connector from the LCD panel.



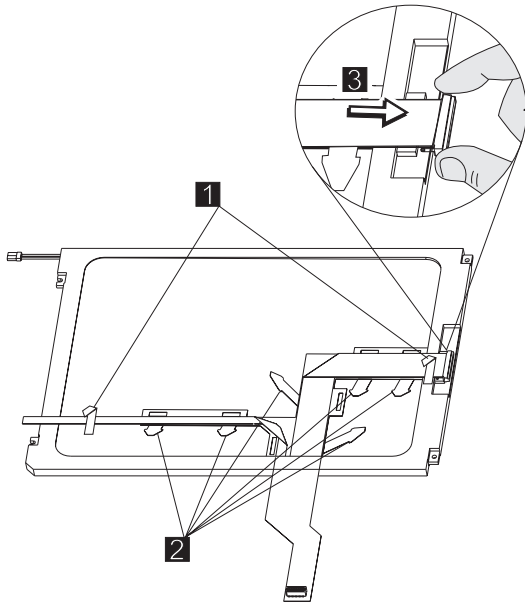
3. Disconnect the flex cable from the LCD panel.

1185 LCD FPC ASM (LCD Type B)

Note: Refer to "ThinkPad 240 Hardware Maintenance Manual" on page 1 for information on LCD Type A and LCD Type B panel designations.

- 1010 Battery ASM
- 1030 Keyboard
- 1150 LCD Bezel ASM
- 1160 LCD Inverter ASM
- 1170 LCD Panel ASM (LCD Type A and B)

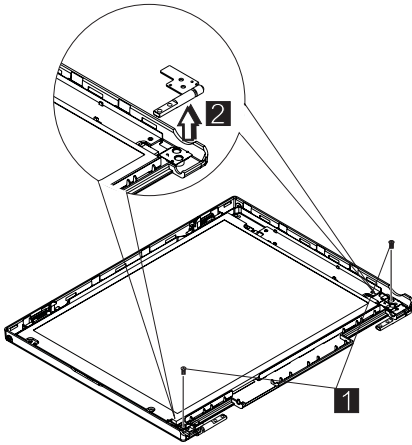
1. Remove the tape from the FPC cable.
2. Open the fasteners on the FPC cable holder.



3. Disconnect the FPC connector from the LCD panel.

1190 Hinge ASM

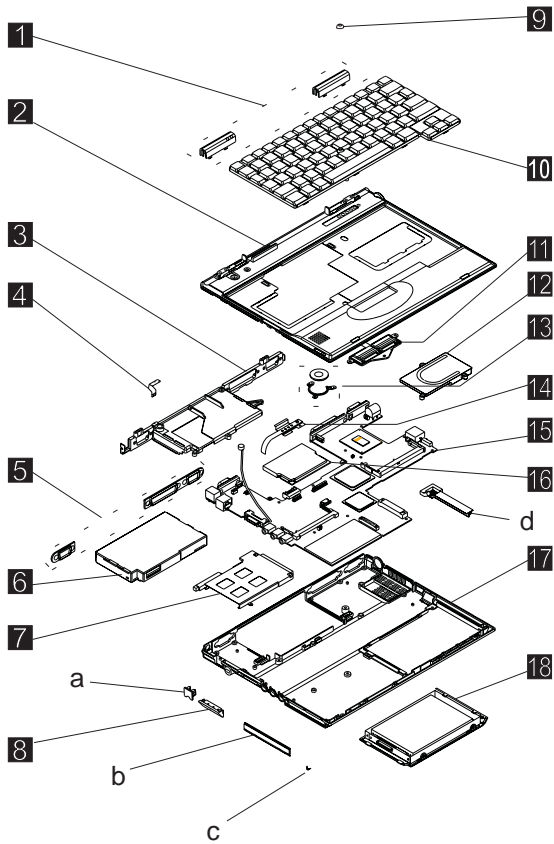
- 1010 Battery ASM
 - 1030 Keyboard
 - 1060 LCD Unit ASM
 - 1150 LCD Bezel ASM
1. Remove the screws as shown.
 2. Remove the hinge ASM.



Step	Size (Quantity)	Head & Color	Torque
1	M2.5 x 4L (2)	Flat head, silver	3.5 kgf-cm

Note: Make sure you use the correct screw for replacement.

Computer Parts Listing



Index	Description	FRU Number
a — d	See MISC PARTS list	10L1955
1	HINGE CAP L/R	10L1954
2	UPPER COVER ASM	10L1944
3	REAR BRACKET	10L1952
4	LED CARD ASM (L)	10L1303
5	SERIAL/VGA CAP	10L1951
6	STD BATTERY PACK	02K6606
7	PCMCIA SLOT	10L1945
8	DISKETTE DRIVE CONNECTOR LID	10L1953
9	TRACKPOINT CAP	84G6536
10	See Keyboard list	
11	SELECT BUTTON ASM	10L1958

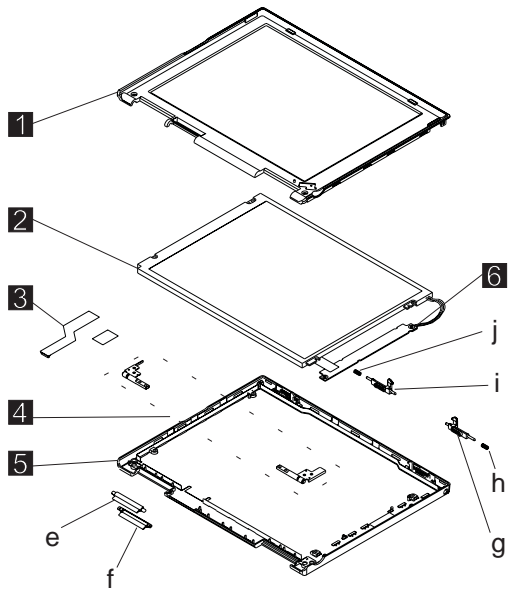
Index	Description	FRU Number
12	FAN ASM	10L1957
13	SPEAKER ASM	02K6307
14	LED CARD ASM (R)	10L1304
15	SYSTEM BOARD ASM 32 MB (Model 1)	10L1302
15	SYSTEM BOARD ASM 64 MB (Model 2)	30L2766
15	SYSTEM BOARD ASM 64 MB (Model 3)	08K3426
15	SYSTEM BOARD ASM 64 MB (Model 4)	08K3143
16	MODEM CARD ASM	10L1305
17	BASE COVER ASM	10L1946
	BASE COVER ASM PRC	10L1948
	BASE COVER ASM Korea	10L1949
18	HARD DISK DRIVE ASM 3.2 GB (Model 1)	05K9117
	HARD DISK DRIVE ASM 6.4 GB (Model 2)	05K9119
	HARD DISK DRIVE DOOR	10L1950

Description	FRU Number
AC ADAPTER	
AC Adapter 56W (2 PIN)	02K6554
AC Adapter 56W (2 PIN)	02K6548
AC Adapter 56W (3 PIN)	02K6555
AC Adapter 56W (3 PIN)	02K6550
KEYBOARD	
KBD ASM US English	02K6302
KBD ASM Japanese	02K6303
KBD ASM Traditional Chinese	02K6304
KBD ASM Korean	02K6305
KBD ASM Canadian French	02K6306
KBD ASM UK English	02K4938
KBD ASM German	02K4939
KBD ASM French	02K4940
Miscellaneous	
Screw Kit	10L1956
MODEM CABLE ASM INTERNAL	05K2860
TELEPHONE CABLE US	27L0478
TELEPHONE CABLE Australia	27L0479

Description	FRU Number
TELEPHONE CABLE UK	27L0480
TELEPHONE CABLE Germany	27L0481
TELEPHONE CABLE France	27L0482
32 MB DIMM	42H2819
64 MB DIMM	10L1313
128 MB DIMM	01K1153
EXTERNAL DISKETTE DRIVE CABLE	12J1711
EXTERNAL DISKETTE DRIVE ASM	05K8989 05K8990
LARGE BATTERY	02K6607
MISC PARTS (a) MODEM DOOR (b) SHUTTER (PCMCIA) (c) SPRING SHUTTER (d) WATER CHANNEL (e) FPC HOLDER (upper) (f) FPC HOLDER (lower) (g) HOOK KNOB - R (h) SPRING HOOK - R (i) HOOK KNOB - L (j) SPRING-HOOK - L	10L1955
Others	
Power cord (Japan 2 PIN)	13H5273
Power cord (Argentina, Australia, Papua New Guinea, New Zealand, Paraguay, Uruguay)	76H3514
Power cord (Bahamas, Barbados, Bermuda, Bolivia, Canada, Cayman Islands, Colombia, Costa Rica, Dominican Republic, Ecuador, El Salvador, Guatemala, Guyana, Haiti, Honduras, Jamaica, Korea (South), Mexico, Netherlands, Antilles, Nicaragua, Panama, Peru, Philippines, Saudi Arabia, Suriname, Taiwan, Trinidad (West Indies), U.S.A., Venezuela)	76H3516
Power cord (Austria, Belgium, Bulgaria, Czech Republic, Egypt, Finland, France, Germany, Greece, Hungary, Iceland, Indonesia, Netherlands, Norway, Poland, Portugal, Romania, Slovakia, Spain, Sweden, Turkey, former Yugoslavia)	76H3518
Power cord (Denmark)	76H3520
Power cord (Bangladesh, Pakistan, South Africa, Sri Lanka)	76H3522

Description	FRU Number
Power cord (Abu Dhabi, Albania, Antigua, Bahrain, Brunei, Dubai, Fiji, Hong Kong, India, Ireland, Kenya, Kuwait, Macao, Malaysia, Nigeria, Oman, People's Republic of China, Qatar, Singapore, United Kingdom)	76H3524
Power cord (Switzerland)	76H3528
Power cord (Israel)	76H3532
Power cord (Chile, Italy)	76H3530
Power cord (Korea)	76H3535
Power cord (PRC)	02K0539

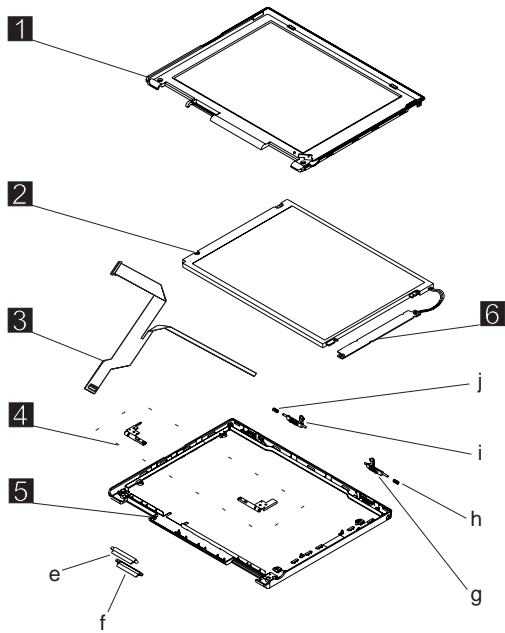
LCD Unit Parts Listing (LCD Type A)



Note: Refer to “ThinkPad 240 Hardware Maintenance Manual” on page 1 for information on LCD Type A and LCD Type B panel designations.

Index	Computer	FRU Number
e — j	See MISC PARTS list	10L1955
1	LCD BEZEL ASM	10L1941
	LCD BEZEL ASM Korea	10L1942
2	LCD UNIT-TFT 10.4-inch	05K9523
3	LCD CABLE ASM	05K2859
4	HINGE ASM L/R	10L1943
5	LCD REAR COVER ASM	10L1939
	LCD REAR COVER ASM Korea	10L1940
	LCD REAR COVER ASM Korea (Hitachi panel)	08K5925
6	INVERTER CARD ASM	10L1306

LCD Unit Parts Listing (LCD Type B)



Note: Refer to "ThinkPad 240 Hardware Maintenance Manual" on page 1 for information on LCD Type A and LCD Type B panel designations.

Index	Computer	FRU Number
e — j	See MISC PARTS list	10L1955
1	LCD BEZEL ASM	10L1941
	LCD BEZEL ASM Korea	10L1942
2	LCD UNIT-TFT 10.4-inch	05K9589
3	LCD CABLE ASM	27L0489
4	HINGE ASM L/R	10L1943
5	LCD REAR COVER ASM	08K5820
	LCD REAR COVER ASM Korea	10L1940
	LCD REAR COVER ASM Korea (Hitachi panel)	08K5925
6	INVERTER CARD ASM	10L1431

Service Tools

Description	FRU No.
Diagnostic Diskette	N/A
CE Utility Diskette	N/A

Description	FRU No.
Tri-Connector Wrap Plug	72X8546
PC Test Card	35G4703
Audio Wrap Cable	66G5180
Screwdriver Kit	95F3598
USB Parallel Test Cable	05K2580
Torque Screwdriver	05K4695
5 mm Socket Wrench	05K4694
Screwdriver	27L8126

Notices

References in this publication to IBM products, programs, or services do not imply that IBM intends to make these available in all countries in which IBM operates. Any reference to an IBM product, program, or service is not intended to state or imply that only IBM product, program, or service may be used. Subject to IBM's valid intellectual property or other legally protectable rights, any functionally equivalent product program, or service may be used instead of the IBM product, program, or service. The evaluation and verification of operation in conjunction with other products, except those expressly designated by IBM, are the responsibility of the user.

IBM may have patents or pending patent applications covering subject matter in this document. The furnishing of this document does not give you any license to these patents. You can send license inquiries, in writing, to:

IBM Director of Licensing
IBM Corporation
500 Columbus Avenue
Thornwood, NY 10594
U.S.A.

Trademarks

The following terms are trademarks or service marks of IBM Corporation in the United States and other countries:

IBM
PS/2
ThinkPad
TrackPoint
TrackPoint IV

The following terms are trademarks or service marks of other companies as follows:

Intel	Intel Corporation
Mylar	E.I. Du Pont de Nemours and Company
PCMCIA	Personal Computer Memory Card Interface Association
Pentium	Intel Corporation



Part Number: 09N8590

Printed in U.S.A.

S09N-8590-00

