

M30280T-85LGF

Converter Board for 85-pin 0.65mm pitch TFLGA

User's Manual

* NQPACK, YQPACK, YQSOCKET, YQ-GUIDE, HQPACK, TQPACK, TQSOCKET, CSSOCKET, CSPLUG/W and LSPACK are trademarks of Tokyo Eletech Corporation.

Keep safety first in your circuit designs!

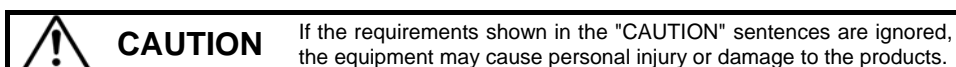
- Renesas Technology Corporation and Renesas Solutions Corporation put the maximum effort into making semiconductor products better and more reliable, but there is always the possibility that trouble may occur with them. Trouble with semiconductors may lead to personal injury, fire or property damage. Remember to give due consideration to safety when making your circuit designs, with appropriate measures such as (i) placement of substitutive, auxiliary circuits, (ii) use of nonflammable material or (iii) prevention against any malfunction or mishap.

Notes regarding these materials

- These materials are intended as a reference to assist our customers in the selection of the Renesas Technology product best suited to the customer's application; they do not convey any license under any intellectual property rights, or any other rights, belonging to Renesas Technology Corporation, Renesas Solutions Corporation or a third party.
- Renesas Technology Corporation and Renesas Solutions Corporation assume no responsibility for any damage, or infringement of any third-party's rights, originating in the use of any product data, diagrams, charts, programs, algorithms, or circuit application examples contained in these materials.
- All information contained in these materials, including product data, diagrams, charts, programs and algorithms represents information on products at the time of publication of these materials, and are subject to change by Renesas Technology Corporation and Renesas Solutions Corporation without notice due to product improvements or other reasons. It is therefore recommended that customers contact Renesas Technology Corporation, Renesas Solutions Corporation or an authorized Renesas Technology product distributor for the latest product information before purchasing a product listed herein. The information described here may contain technical inaccuracies or typographical errors. Renesas Technology Corporation and Renesas Solutions Corporation assume no responsibility for any damage, liability, or other loss rising from these inaccuracies or errors. Please also pay attention to information published by Renesas Technology Corporation and Renesas Solutions Corporation by various means, including the Renesas home page (<http://www.renesas.com>).
- When using any or all of the information contained in these materials, including product data, diagrams, charts, programs, and algorithms, please be sure to evaluate all information as a total system before making a final decision on the applicability of the information and products. Renesas Technology Corporation and Renesas Solutions Corporation assume no responsibility for any damage, liability or other loss resulting from the information contained herein.
- Renesas Technology semiconductors are not designed or manufactured for use in a device or system that is used under circumstances in which human life is potentially at stake. Please contact Renesas Technology Corporation, Renesas Solutions Corporation or an authorized Renesas Technology product distributor when considering the use of a product contained herein for any specific purposes, such as apparatus or systems for transportation, vehicular, medical, aerospace, nuclear, or undersea repeater use.
- The prior written approval of Renesas Technology Corporation and Renesas Solutions Corporation is necessary to reprint or reproduce in whole or in part these materials.
- If these products or technologies are subject to the Japanese export control restrictions, they must be exported under a license from the Japanese government and cannot be imported into a country other than the approved destination. Any diversion or reexport contrary to the export control laws and regulations of Japan and/or the country of destination is prohibited.
- Please contact Renesas Technology Corporation or Renesas Solutions Corporation for further details on these materials or the products contained therein.

Precautions to be taken when using this product

- This product is a development supporting unit for use in your program development and evaluation stages. In mass-producing your program you have finished developing, be sure to make a judgment on your own risk that it can be put to practical use by performing integration test, evaluation, or some experiment else.
- In no event shall Renesas Solutions Corporation be liable for any consequence arising from the use of this product.
- Renesas Solutions Corporation strives to renovate or provide a workaround for product malfunction at some charge or without charge. However, this does not necessarily mean that Renesas Solutions Corporation guarantees the renovation or the provision under any circumstances.
- This product has been developed by assuming its use for program development and evaluation in laboratories. Therefore, it does not fall under the application of Electrical Appliance and Material Safety Law and protection against electromagnetic interference when used in Japan.



Renesas Tools Homepage <http://www.renesas.com/en/tools>

1. Outline

The M30280T-85LGF is a converter board for connecting M16C/Tiny Series including the emulation probe M3028BT-EPB, M30290T-EPB, and the compact emulator M3028BT2-CPE, M30290T2-CPE to a foot pattern for 85-pin 0.65mm pitch TFLGA (PTLG0085JB-A) of M16C/28 group.

2. Package Components (See Figure 1)

- (1) M30280T-85LGF converter board 1 pc.
- (2) CSSOCKET085B1007RE01
(made by Tokyo Eletech Corporation) 1 pc.
- (3) M30280T-85LGF User's Manual (This manual) 1 pc.

3. Specifications

Table 1 Specifications

Applicable package	PTLG0085JB-A, previous code: 85F0G (85-pin 0.65mm pitch TFLGA)
--------------------	----------------------------------------------------------------------

4. Usage (See Figure 2)

The M30280T-85LGF by mounting the CSSOCKET085B1007RE01 on a foot pattern of the user system can be used in both cases of connecting to an emulator, and a board mounted evaluation.

- (1) When connecting emulator
Connect the M30290T-PTCB to the emulator. Connect the M30280T-85LGF to the CSSOCKET085B1007RE01 on the user system.
- (2) For onboard evaluation
Connect a MCU with on-chip flash memory to the LSPACK085B1007RE01 (separately available). Then, connect the LSPACK085B1007RE01 to the CSSOCKET085B1007RE01 on the user system.

Before using the M30280T-85LGF, be sure to read "8. Precautions" on page 4.

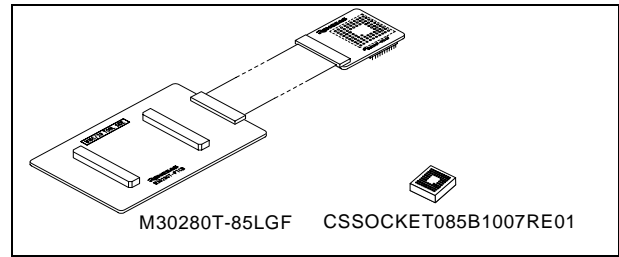


Figure 1 Package components of the M30280T-85LGF

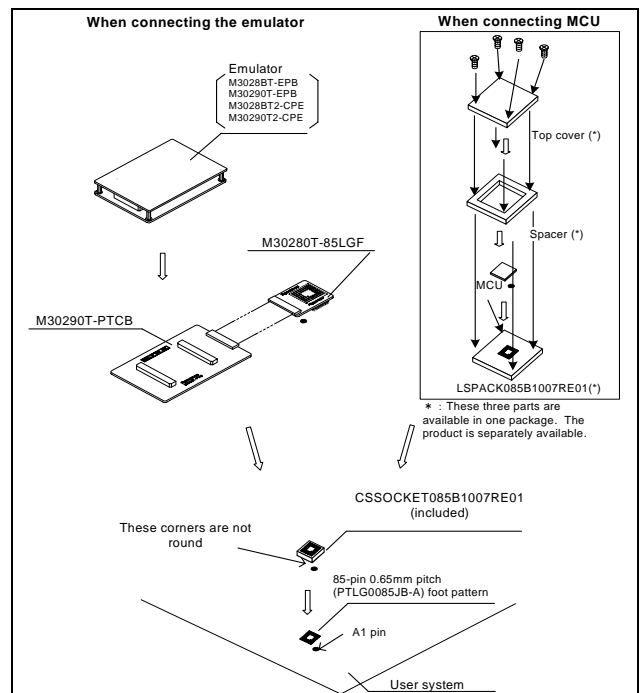


Figure 2 Usage of the M30280T-85LGF

5. Connection Procedure (See Figure 3)

The procedure for connecting the M30280T-85LGF is outlined below.

- (1) Connect the CSSOCKET085B1007RE01 to a foot pattern on the user system.
- (2) Connect the M30290T-PTCB to the emulator.
- (3) Connect the M30280T-85LGF to the CSSOCKET085B1007RE01.

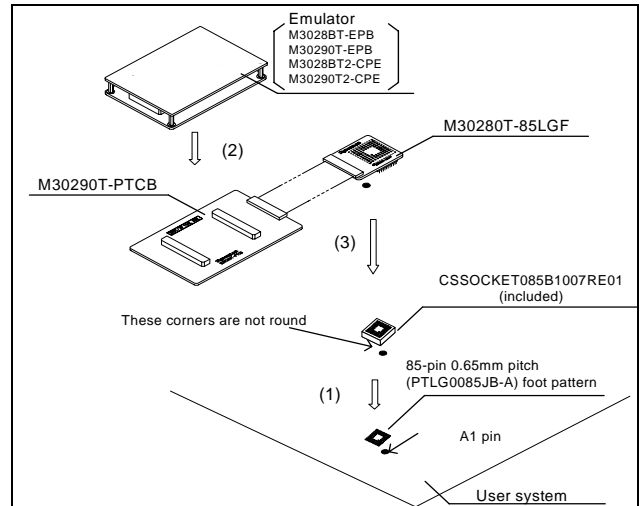


Figure 3 Connection procedure of the M30280T-85LGF

6. Height Adjustment (See Figure 4)

If there is a tall peripheral around the place where the CSSOCKET085B1007RE01 is mounted, the height can be adjusted about 6mm by using separately available CSSOCKET085B1007RE01 and CSSOCKET085B1007RE02. The procedure is outlined below.

- (1) Attach the CSSOCKET085B1007RE01 on the user system to CSSOCKET085B1007RE02 (separately available).
- (2) Attach the CSSOCKET085B1007RE02 connected as above (1) to the CSSOCKET085B1007RE01 (separately available).
- (3) Attach the CSSOCKET085B1007RE01 connected as above (2) to M30280T-85LGF.

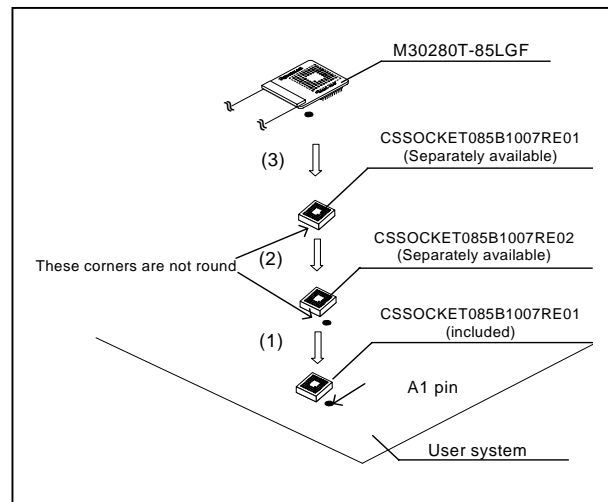


Figure 4 Height adjustment of the M30280T-85LGF and user system

7. Dimensions of M30280-85LGF and Recommended Foot Pattern (See Figure 4)

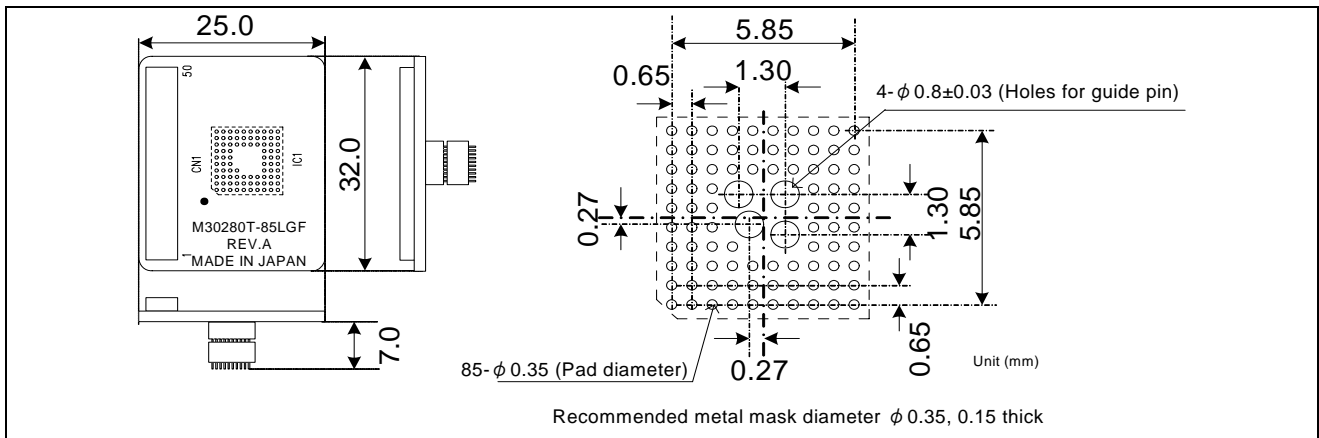


Figure 5 Dimensions of M30280-85LGF and recommended foot pattern

8. Precautions

CAUTION

Note on connecting to the user system



- Caution is demanded, because attaching a converter board in the wrong direction may cause a fatal damage on the emulator or the user system.

IMPORTANT

Notes on Handling This Product:

- On the use of this product, prepare recommended foot pattern on the user system, and mount it with recommended metal mask with diameter (ϕ 0.35mm) and 0.15mm thick.
- Create a hole for guide pin on the user system where CSSOKET085B1007RE01 is mounted.
- The following show the recommended reflow conditions (surface temperature) for mounting CSSOKET085B1007RE01, but the conditions are changed depending on size of the user system, or peripheral.

	Lead free solder	Eutectic solder
Pre-heat:	150 to 180°C, approx. 180sec.	150 to 180°C, approx. 180sec.
Heat:	240°C or higher, approx. 30 to 60sec.	210°C or higher, approx. 30 to 60sec.
Peak:	260°C	230°C

Notes on Connectors of the Converter Board:

- The connectors of the emulator and M30290T-PTCB are guaranteed for up to 50 insertion/removal iterations.
- The connectors of the M30280T-85LGF and CSSOCKET085B1007RE01 are guaranteed for up to 100 insertion/removal iterations.

Notes on This Product:

- We cannot accept any request for repair.
- For purchasing the CSSOCKET085B1007RE01, the CSSOCKET085B1007RE02 and the LSPACK085B1007RE01, contact the following:
Tokyo Eletech Corporation http://www.tetc.co.jp/e_index.htm
- For inquiries about the product or the contents of this manual, contact your local distributor.
Renesas Tools Homepage <http://www.renesas.com/en/tools>