

TANK LEAKAGE KIT AND ALARM

GENERAL DESCRIPTION

The 67385 tank leakage kit has been designed to detect leaks in double-walled tanks. If the inner tank should fail, the liquid leaks into the outer tank and into the leakage kit, raising the float and activating the alarm.

ALARM INSTALLATION

1. Install the 9 volt lithium battery in the alarm.
2. Loosen the set screw located on the metal ring of the alarm. Slide the

ring over the top of the (2) leakage detector. Position the ring to the level at which you want the alarm to sound. Tighten the set screw, securing the alarm in place.

NOTE: Be sure the switch on the alarm is facing one of the windows of the gauge guard. Be sure the set screw is against one of the solid sides of the gauge guards.

The switch located on the alarm can be used to silence the alarm after it has been activated. It will automatically reset the alarm when the magnet moves back out of the alarm area.

The switch can also be used to test the battery. Press it once to activate, and once again to reset.

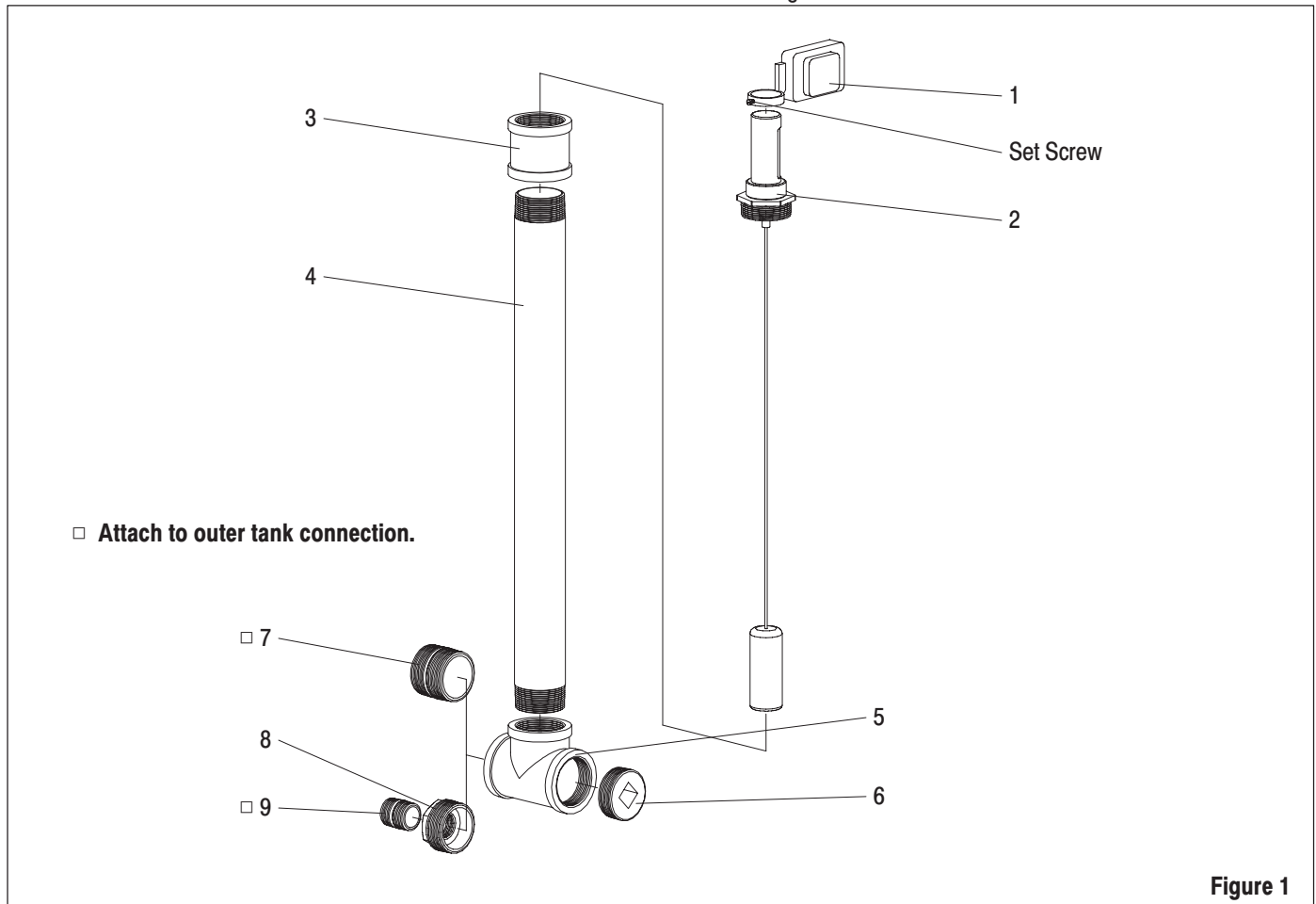


Figure 1

PARTS LIST

Item	Description (size)	Qty	Part No.	Item	Description (size)	Qty	Part No.
1	Alarm	(1)	ALARM	6	Pipe Plug (2 - 11-1/2 N.P.T.)	(1)	Y17-28-C
2	Leakage Dectector	(1)	K-2-24	7	Pipe Nipple (2 - 11-1/2 N.P.T. x 2")	(1)	Y27-19-C
3	Coupling (2 - 11-1/2 N.P.T.)	(1)	Y43-49-C	8	Reducing Bushing (2 - 11-1/2 N.P.T. male x 1 - 11-1/2 N.P.T. female)	(1)	Y45-27-C
4	Pipe Nipple (2 - 11-1/2 N.P.T. x 24")	(1)	96560	9	Pipe Nipple (1 - 11-1/2 N.P.T. x 1-1/2")	(1)	Y27-16-C
5	Tee (2 - 11-1/2 N.P.T.)	(1)	Y43-39-C				

PN 97999-1179

INGERSOLL RAND COMPANY LTD
 P.O. BOX 151 • ONE ARO CENTER • BRYAN, OHIO 43506-0151
 ☎ (800) 276-4658 • FAX (800) 266-7016 ©2005 CCN 15253214