



**Model:
IP-180KE**

**INSTANT POWER™
Jump Starter, Air Compressor, Light & 12V DC
Power Source Plus 5V USB**



INSTRUCTION MANUAL

IMPORTANT: CHARGE IMMEDIATELY AFTER PURCHASE

IMPORTANT: READ AND SAVE THIS SAFETY AND INSTRUCTION MANUAL.

1. IMPORTANT SAFETY INSTRUCTIONS

- 1.1 Consider having someone close enough by to come to your aid when you work near a lead-acid battery.
- 1.2 Have plenty of fresh water and soap nearby in case battery acid contacts skin, clothing, or eyes. If acid enters the eye area, rinse with cold water for at least 10 minutes and get medical help immediately.
- 1.3 Do not smoke, or use matches or cigarette lighter, or allow any spark or flame near the battery or engine.
- 1.4 Never operate the jump starter if it has a damaged lead wire or clamps.
- 1.5 Wear complete eye and clothing protection when working with any battery.
- 1.6 Do not permit the internal battery of the Instant Power™ to freeze. A fully charged battery will not freeze - refer to the storage section of the manual.
- 1.7 Never charge a frozen battery.

2. HANDLING WARNING

- 2.1 **WARNING:** Handling the cord on this product or cords associated with this product, may expose you to lead, a chemical known to the State of California to cause cancer and birth defects or other reproductive harm. ***Wash hands after handling.***

3. OPERATING INSTRUCTIONS. USING THE QUICK CONNECTOR CLAMPS

- 3.1 Use in a well-ventilated area.
- 3.2 Keep clear of fan blades, belts, pulleys and other parts that may cause injury.
- 3.3 To prevent sparking, NEVER allow clamps to touch together or contact the same piece of metal.
- 3.4 Turn the vehicle's ignition OFF before making cable connections.
- 3.5 Make sure the ON/OFF switch on the IP-180KE is in the OFF position.
- 3.6 Plug the clamp's connector into the connector attached to the IP-180KE.
- 3.7 Clamp the red clamp (+) to the positive terminal of the battery - For a negative grounded system. (See section 3.12 for a positive grounded system.)
- 3.8 Clamp the black clamp (-) to an unpainted and unmoving part of the chas-

sis or engine block.

- 3.9 If you have connected the clamps of your IP-180KE backwards, an audio alarm will sound. DO NOT turn your IP-180KE on. This could cause serious damage. Reverse the connections, and the audio alarm will stop.
- 3.10 If no audio alarm is sounded, turn ON the Jump Start switch and then crank the engine. If the engine does not start within 5-8 seconds, stop cranking and wait at least 1 minute before attempting to start vehicle again. (This permits the battery to cool down.)
- 3.11 After the engine starts, make sure to turn OFF the Jump Start switch. Then disconnect the black clamp (-) and then the red clamp (+) in that order. Store the clamps on the ears located on the sides of the case.
- 3.12 **NOTE:** In the rare case of jump-starting a vehicle that has a positive-grounded vehicle electrical system, connect the NEGATIVE black clamp (-) to the negative terminal (-) of the vehicle battery. Then connect the POSITIVE red clamp (+) to an unpainted and unmoving part of the vehicle chassis or engine block. If you are unsure of the nature of the vehicle's electrical grounding system, check the owner's manual of the vehicle. To disconnect clamps, reverse order.

4. OPERATING INSTRUCTIONS. USING THE QUICK CONNECTOR RING TERMINALS

WARNING: Failure to follow instructions may cause damage or an explosion. Read entire instruction manual before use.

4.1 Mount Ring Terminals to Battery

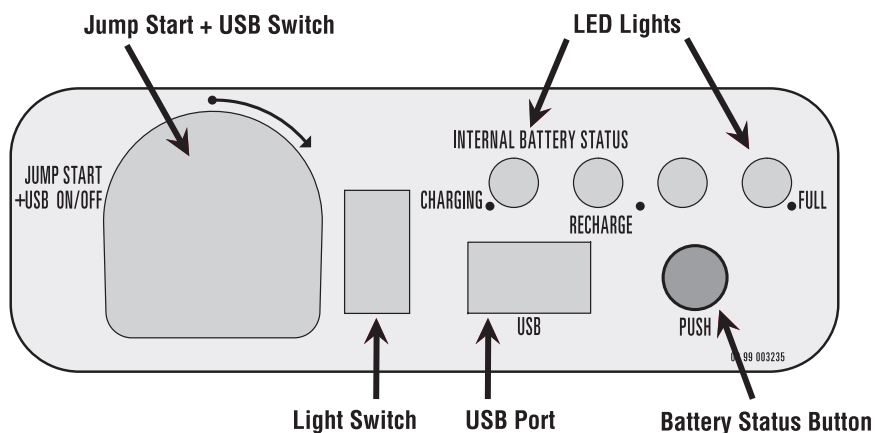
- Ring terminals can be permanently mounted to battery. If permanently mounted, make sure the ring terminal cables are not obstructing or touching any live components in the vehicle. ALWAYS ensure ring terminals are properly mounted prior to charging.
- Turn the vehicle's ignition OFF before making ring terminal connections.
- Attach the red ring terminal (+) to the positive terminal of the battery.
- Attach the black ring terminal (-) to the negative terminal of the battery.

4.2 Jump Starting

- Use in a well-ventilated area.
- Keep clear of fan blades, belts, pulleys and other parts that may cause injury.
- Make sure the vehicle's ignition is OFF.
- Make sure the ON/OFF switch on the IP-180KE is in the OFF position.
- Plug the ring terminal connector into the connector attached to the IP-180KE.

- If the ring terminals were installed incorrectly, an audio alarm will sound. DO NOT turn your IP-180KE on. This could cause serious damage. Reverse ring terminal connections and the audio alarm will stop.
- If no audio alarm is sounded, turn ON the Jump Start switch and then crank the engine. If the engine does not start within 5-8 seconds, stop cranking and wait at least 1 minute before attempting to start vehicle again. (This permits the battery to cool down.)
- After the engine starts, make sure to turn OFF the Jump Start switch.
- Disconnect Quick Connector.

5. CONTROL PANEL



6. LED INDICATORS (RED, YELLOW AND GREEN LIGHTS)

- 6.1 To check the internal battery's charge status, press the Battery Status Button on the front of the Instant Power™.
- 6.2 The LED lights will indicate the charge level as follows:
 - A red LED indicates a 50% or less charge and you should immediately recharge the Instant Power™.
 - A yellow LED indicates a 50 to 75% charge. The Instant Power™ may be used but should be recharged as soon as possible.
 - A green LED indicates the internal battery is fully charged.

7. CHARGING OF INTERNAL BATTERY WITH BUILT-IN CHARGER

- 7.1 After removing the Instant Power™ from the carton, charge it for a minimum of 8 hours before using, even if the green charged LED glows.

NOTE: The ON/OFF switch should be in the OFF position to recharge the internal battery.

- 7.2 To charge, plug an extension cord into charger plug on the right side of the Instant Power™. (Extension cord not included; must be purchased separately.)
- 7.3 Plug the extension cord into 110V AC electrical wall outlet.
- 7.4 The red CHARGING LED will glow indicating charging.
- 7.5 The green LED will glow when the battery has reached full charge. This could take up to 72 hours due to the age and condition of the battery. The charger will automatically drop into a float mode and maintain the battery at full charge without damaging the battery.
- 7.6 Charge the Instant Power™ as soon as possible after use.

8. 12 VOLT DC POWER OUTLET CHART

- 8.1 The Instant Power™ is a power source for all 12 volt DC accessories equipped with a 12 volt accessory plug. Make sure the device to be powered is OFF before inserting 12 volt accessory plug into 12 volt DC accessory outlet. Use for power outages, fishing, and camping trips. Estimated usage time is listed in below chart:

Appliance Type	Estimated Wattage	Estimated Time
Cell Phones	4 Watts	30 Hours
Fluorescent Lights	4 Watts	30 Hours
Radios, Fans	9 Watts	21 Hours
Depth Finders	9 Watts	21 Hours
Camcorders, VCRs	15 Watts	12 Hours
Electrical Tools	24 Watts	7 Hours
Electrical Coolers	48 Watts	3 Hours
Car Vacuum, Air Compressors	80 Watts	1.5 Hours

NOTE: Estimated run-times. Actual time may vary. Times are based on the internal battery being fully charged.

The DC accessory outlet has a 15-amp automatic overload protection circuit breaker. If an overload occurs, unplug (remove) accessory, and the breaker will automatically reset.

9. USING USB PORT

NOTE: The Jump Start + USB On/Off switch energizes both the jump

starting clamps and the USB port. Do not allow the clamps to touch each other or the same piece of metal when the switch is “On” (turned to the right).

- 9.1 Confirm that both jump starting clamps are stored on the storage holders, or that the Quick Connectors are disconnected.
- 9.2 Turn the Jump Start + USB switch to “On” position.
- 9.3 The USB plug is now live; plug in the accessory.

10. **USING THE AIR COMPRESSOR**

PRECAUTION – Read instructions of the product being inflated before using the compressor. Avoid over inflation, do not exceed the manufacturers recommended pressures. DO NOT leave the compressor unattended during use.

The 12 volt compressor is rated for 150 PSI pressure. The hose is stored on the back of your Instant Power™.

The ON / OFF switch for the compressor is located on the back of the Instant Power™.

- 10.1 Attach the air compressor hose to the product or accessory to be inflated by flipping down the lever.
- 10.2 Push the air compressor switch to the ON position and inflate product.
- 10.3 When the product is inflated to the proper air pressure, push the compressor switch to the OFF position and remove the hose.
- 10.4 Do not run compressor for more than 10 minutes maximum at a time. Allow the compressor to cool down for 10 minutes before using again.

NOTE: If the compressor overheats, the built-in thermal protection will turn the unit off. Wait a few minutes and it will automatically restart.

Estimated Time for Inflating

Vehicle 13” to 16”	3 to 16 Minutes
Bike Tire	30 to 40 Seconds
Balls	5 to 30 Seconds

Use an air compressor gauge to ensure the proper pressure has been reached. Do not over inflate.

11. **USING LIGHT**

- 11.1 Flip the Light Switch, located on the front of the IP-180KE, to the ON position.

NOTE: The LED lights are not replaceable.

12. **STORAGE**

IMPORTANT:

- **CHARGE IMMEDIATELY AFTER PURCHASE**
- **KEEP FULLY CHARGED.**

Charge the Instant Power™ internal battery before first use and after every use thereafter.

All batteries are affected by temperature. The ideal storage temperature is at 70 degrees Fahrenheit. The internal battery will gradually self-discharge (lose power) over time, especially in warm environments. Leaving the battery in a discharged state may result in permanent battery damage. To ensure satisfactory performance and avoid permanent damage, charge the internal battery every month.

The Instant Power™ can be stored in any position. When the Instant Power™ is ON, the clamps are live and will produce arcing or sparking if they come in contact with each other. To prevent accidental arcing, always keep the clamps on the storage holders and the JUMP START ON/OFF switch in the OFF position when not using it to jump start a vehicle.

13. LIMITED WARRANTY

Schumacher Electric Corporation warrants your unit to be free from defects in material and workmanship, excepting abuse or misuse, for a period of one year from the date of sale to the original user or consumer purchaser. If your unit fails or malfunctions within the first 30 days of the warranty, we will replace it with a new unit. If your unit malfunctions or fails within the 12 month warranty period because of a defect in material or workmanship, we will repair without charge.

The internal battery, excluding units with swollen batteries or melted battery terminals, carries a 90-day warranty from the date of purchase. Proof of purchase required. All battery replacements will be at the sole discretion of the manufacturer or his designated agents.

This warranty is in lieu of all other express warranties. The duration of any implied warranty, including but not limited to any implied warranty of merchantability or fitness for a particular purpose, made in respect to your unit is limited to the period of the express warranty set forth above.

For warranty service, return your product, with proof of purchase, to the factory or a designated agent: Schumacher Electric Corporation Warranty Service Department, 1025 E. Thompson Street, PO Box 280, Hoopeston, IL 60942. Phone 1-800-621-5485, Customer Service hours: 7 AM to 4:30 PM CST.

You will be responsible for all insurance and freight or other transportation charges to the factory or point of repair. We will return your unit freight prepaid if repair is covered under warranty. Your unit should be properly packed to avoid damage in transit, since we will not be responsible for any such damage.

In no event shall Schumacher Electric Corporation be liable for consequential or incidental damages. Some states do not allow limitations on the length of the implied warranty or the exclusion or limitation of incidental or consequential damages, so the above limitations or exclusions may not apply to you. This warranty gives you specific legal rights and you may also have other rights which vary from state to state.



Modelo:
IP-180KE

INSTANT POWER™

**Arranque Inmediato, Compresor de Aire y
Fuente de Potencia de 12 Voltios CC Mas 5
Voltios USB**



MANUAL DE INSTRUCCIONES

IMPORTANTE: LEA Y GUARDE ESTE MANUAL DE SEGURIDAD E INSTRUCCIONES MANTÉNGALO.

1. INSTRUCCIONES IMPORTANTES DE SEGURIDAD

- 1.1 Alguien debe estar dentro del alcance de su voz o lo suficientemente cerca para venir en su ayuda cuando usted trabaja cerca de una batería.
- 1.2 Tenga cerca bastante agua fresca y jabón en caso que el ácido de la batería haga contacto con la piel, la ropa o los ojos. Si ácido entra en los ojos, enjuáguelos con agua fría durante por lo menos 10 minutos y consiga ayuda médica inmediatamente.
- 1.3 No fume, ni use fósforos o encendedores, ni permita que haya chispa o llama cerca de la batería o del motor.
- 1.4 Nunca use arranque inmediato si el cable o las pinzas han sufrido daños. Haga que un técnico calificado reemplace el cable.
- 1.5 Use protección total para los ojos y protección para la ropa cuando trabaje con baterías.
- 1.6 No deje que la batería interna se congele. Nunca cargue una batería congelada.

2. ADVERTENCIA SOBRE MANEJO

- 2.1 **ADVERTENCIA:** El manejo del cordón en este producto o los cordones asociados con este producto, puede exponerle al plomo, un producto químico conocido en el estado de California de causar cáncer y defectos de nacimiento u otro daño reproductivo. ***Lávese las manos después de manejar un cordón.***

3. INSTRUCCIONES DE OPERACIÓN AL USAR LAS ABRAZADERAS DE CONEXIÓN RÁPIDA.

ADVERTENCIA: EL NO SEGUIR LAS INSTRUCCIONES PUEDE CAUSAR DAÑO O EXPLOSION. LEE EL MANUAL DE INSTRUCCIONES ENTERO ANTES DE USAR.

- 3.1 Enchufe el cable de la abrazadera en el Conector Rápido acoplado al IP-180KE
- 3.2 Apague la ignición antes de conectar los cables.
- 3.3 Asegúrese de que el interruptor del Arrancador Inmediato se encuentre en la posición OFF (apagado) hasta que las pinzas estén conectadas a la batería del vehículo.
- 3.4 Use en un área bien ventilada.
- 3.5 Manténgase alejado de las aspas del ventilador, poleas y otras piezas que puedan causar lesiones.

- 3.6 Con el interruptor en posición ON, no deje nunca que las pinzas se junten o que hagan contacto con la misma pieza de metal, para evitar chispeo. (Vea la sección 3.12 si tiene sistema a tierra positivo.)
- 3.7 Conecta la pinza roja (+) al terminal positivo de la batería. (Para un sistema a tierra negative.)*
- 3.8 Conecte la pinza negra (-) a una parte sin pintar e inmóvil del chasis o del bloque del motor.
- 3.9 Si se hace conexión invertida de las pinzas del Instant Power, suena alarma audible. NO encienda la unidad. Esto podría causar grave daño. Invierta las conexiones, y el alarma deja de sonar.
- 3.10 Si no existe un sonido de alarma, encienda el Aparato y entonces arranque el motor. Si el motor no enciende, entre 5 y 8 segundos, deténgase, espere 1 minuto antes de intentar arrancar el vehículo nuevamente. (Esto permite a la batería enfriarse.)
- 3.11 Después de que el motor enciende, asegúrese de que el interruptor de potencia del Arrancador Inmediato esté en la posición OFF (apagado). Desconecte primero la pinza negra (-) y luego la pinza roja (+) en ese orden. Guarde las pinzas sobre las orejas ubicadas en los lados de la caja.
- 3.12 Recargue el Instant Power lo más pronto posible después de usar.

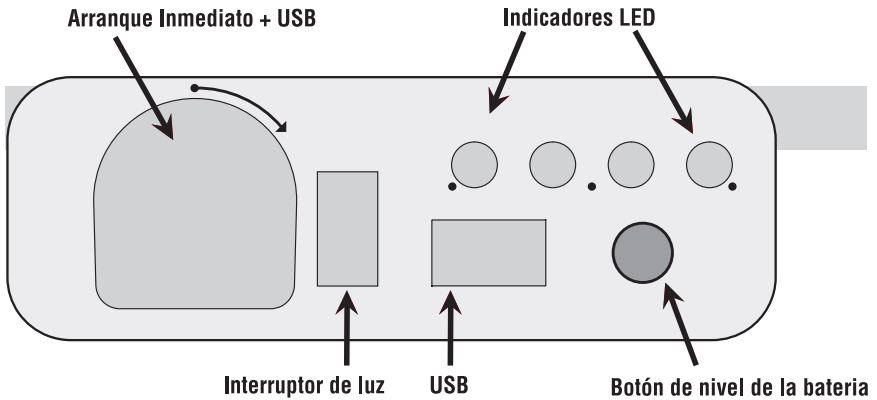
NOTA: En el raro caso de hacer arranque inmediato de un vehículo que tenga un sistema eléctrico a tierra positivo, conecte la pinza negra NEGATIVA (-) al terminal negativo de la batería del vehículo. Entonces conecte la pinza roja POSITIVA (+) a una parte no pintada y no movible del chasis o el bloque del motor del vehículo. Si usted no está seguro de la naturaleza del sistema a tierra eléctrico del vehículo, verifique el manual de dueño del vehículo. Para desconectar las pinzas, invierta el orden.

4. INSTRUCCIONES DE OPERACIÓN AL USAR LOS TERMINALES DE ARO DE CONEXIÓN RÁPIDA.

- 4.1 Conecte los terminales de aro a la batería.
- 4.2 Se puede montar los terminales a la batería de modo permanente. Al montar en forma permanente, asegúrese de que los cables de los terminales de aro no obstruyan ni toquen ninguno de los componentes vivos en el vehículo. SIEMPRE asegúrese de que los terminales de aro estén debidamente montados antes de comenzar la carga.

- 4.3 Después de que comience el motor, asegúrese de poner en OFF el conmutador “Jump Start”.

5. PANNEAU DE CONTROL



6. INDICADORES LED

- 6.1 Para verificar el estado de la batería interna, oprima el botón rojo en la delantera del Instant Power.
- 6.2 Las luces LED indican así:
- Una luz roja indica una carga del 50% o menos y que se debe recargar inmediatamente.
 - Una luz amarilla indica una carga entre el 50 y el 75%. Se puede usar el Instant Power pero debe recargarse lo más pronto posible.
 - Una luz verde indica batería interna cargada.

7. CARGA DE LA BATERIA INTERNA CON EL CARGADOR INCORPORADO

- 7.1 Después de sacar el Instant Power del cartón, cargue la unidad por lo menos 8 horas, antes de usarla, aún si la luz verde indicadora, se hace notar.

NOTA: El interruptor ON / OFF no necesita estar en la posición ON para recargar la batería interna.

- 7.2 Para cargar, meta un cordón de extensión en el enchufe de cargar en el lado derecho del Instant Power. (El cordón de extensión no viene con la unidad; se necesita comprar por separado).
- 7.3 Enchufe el cordón de extensión en un tomacorriente de 110V CA.
- 7.4 La luz LED roja “CHARGING” brilla para indicar “cargando”.
- 7.5 La luz LED “CHARGED” brilla cuando la batería esté a plena carga. Esto puede llevar hasta por 72 horas en algunas cargas debido a la edad y la

condición de la batería. El cargador se baja automáticamente en un "float mode" (modo flotante) y mantiene la batería a plena carga sin causar daño a la batería. El Instant Power puede quedarse conectado al tomacorriente de 110V, indefinidamente para mantenerse totalmente cargado.

- 7.6 Recargue la Instant Power después de usar y cada 3 meses hasta plena carga para prolongar la vida de la batería.

8. FUENTE DE POTENCIA MULTIPROPOSITO

- 8.1 El Instant Power es una fuente de poder para todo accesorio equipado con enchufe de 12 voltios. Asegurese que la unidad se encuentre apagada (OFF) antes de enchufarle algún accesorio de 12 voltios en el tomacorriente localizado en la parte izquierda-trasera del mismo. Use el aparato para interrupciones electricas, viajes de pesca, caza y excursiones. A continuación, se da una idea del tiempo aproximado de uso:

Appliance Type	Estimated Wattage	Estimated Time for IP-95C
Teléfonos Celulares	4 Vatios	15 Horas
Luces Fluorescentes	4 Vatios	15 Horas
Radios	9 Vatios	11 Horas
Ecosondadores	9 Vatios	11 Horas
Ventiladores	9 Vatios	11 Horas
Camcorders, VCRs	15 Vatios	6 Horas
Herramientas Eléctricas	24 Vatios	4 Horas
Enfriadores Eléctricos	48 Vatios	1.5 Horas

9. PARA USAR LA CONEXION USB

Nota: El Interruptor de Arranque Inmediato + USB "On/Off" activa tanto las pinzas de arranque inmediato como la conexión USB. No deje que las pinzas se toquen entre sí ni a la misma pieza de metal cuando el interruptor esté "ON" (virado hacia la derecha).

- 9.1 Confirme que ambas pinzas de arranque inmediato estén guardadas sobre sus orejas ubicadas en los costados de la caja.

- 9.2 Ponga el Conmutador de Arranque Inmediato + USB en la posición "ON".
- 9.3 El enchufe USB ahora se encuentra vivo; ya se puede enchufar el accesorio.

10. USO DEL COMPRESOR DE AIRE

PRECAUCIÓN – Lea las instrucciones del producto que se está inflando antes de usar el compresor. Evite la inflación excesiva, no sobrepase las presiones recomendadas por el fabricante. NO desatienda al compresor mientras se usa.

El compresor de 12 voltios tiene presión nominal de 150 PSI. La manguera se guarda en el compartimiento posterior del Instant Power. El conmutador ON / OFF del compresor está en el dorso del Instant Power debajo del enchufe de cargar.

- 10.1 Conecte la manguera del compresor de aire al producto o accesorio que se desea inflar al bajar la palanca.
- 10.2 Empuje el conmutador del compresor de aire hasta la posición ON e infle el producto.
- 10.3 Una vez inflado el producto hasta la debida presión de aire, empuje el conmutador del compresor hasta la posición OFF y desconecte la manguera.
- 10.4 No opere el compresor por más de 10 minutos seguidos. Si esto sucede, permita que el Instant Power™ se enfríe por 10 minutos antes de volverlo a usar.

NOTA: Si el compresor se sobrecalienta, la protección térmica incorporada hace apagar la unidad. Espere unos minutos y se repone automáticamente.

Use manómetro para asegurar haber llegado a la debida presión. No infle excesivamente.

Estimated Time for Inflating

Llanta de vehículo 13" a 16"	3 hasta 16 minutos
Llanta de bicicleta	30 a 40 segundos
Pelotas	5 a 30 segundos

Use manómetro para asegurar haber llegado a la debida presión. No infle excesivamente.

11. ALMACENAMIENTO

CARGUE EL COMPRESOR ENSEGUIDA AL COMPRARLO.

IMPORTANTE: MANTÉNGALO A PLENA CARGA

Cargue la batería interna del Instant Power™ antes del primero uso y después de cada uso posterior.

La temperatura afecta a todas las baterías. La temperatura ideal de almacenaje es a los 70 grados Fahrenheit. La batería interna se va descargando (pierde potencia) con el pasar del tiempo, especialmente en los ambientes cálidos. Si se deja la batería en estado de descarga, puede sufrir daños permanentes. Para asegurar el rendimiento satisfactorio y evitar daños permanentes, cargue la batería interna mensualmente.

El Instant Power™ puede guardarse en cualquier posición. Cuando el Instant Power™ está en ON, la abrazaderas están vivas y producen arco o chisporroteo si hacen contacto entre sí. Para evitar arco accidental, siempre mantenga las abrazaderas en los soportes de almacenaje y el conmutador JUMP START ON/OFF en la posición OFF cuando el Instant Power™ no se está usando para arranque inmediato de un vehículo.

12. GARANTIA LIMITADA

Schumacher Electric garantiza que su unidad está libre de defectos en materiales o mano de obra, exceptuando abuso o mal uso, por el período de un año desde la fecha de venta al usuario original o comprador consumidor. Si su unidad falla o no funciona bien durante los primeros 30 días de la garantía, la reemplazaremos con una unidad nueva. Si su unidad no funciona bien o falla durante el período de la garantía de 12 meses, debido a defecto en materiales o mano de obra, la repararemos gratis.

La batería interna, excluyendo las unidades con baterías hinchadas o terminales de batería derretidas, lleva una garantía de 90 días desde la fecha de compra. Se requiere prueba de compra. Todo reemplazo de batería será a la sola discreción del fabricante o sus agentes designados.

Esta garantía reemplaza toda otra garantía expresa. La duración de cualquier garantía implícita, incluyendo pero no limitada a cualquier garantía de comerciabilidad o idoneidad para un propósito específico, hecha con respecto a su unidad, se limita al período de garantía declarada arriba..

Para servicio bajo garantía, devuelva el producto junto con prueba de compra a la fábrica o a un agente designado: Schumacher Electric Corporation Warranty Service Department, 1025 E. Thompson Street, PO Box 280, Hoopston, IL 60942. Tel.1-800-621-5485. Horas de Servicio al Cliente: 7 a.m. a 4:30 p.m. hora central estándar.

Usted queda responsable por todo costo de seguro y de carga u otro transporte hasta la fábrica o punto de reparación. Devolveremos su unidad con transporte prepago si la reparación está cubierta por la garantía. Su unidad debe estar debidamente empacada para evitar daños durante el transporte, puesto que no quedaremos responsables por ningún daño tal.

Bajo ninguna circunstancia Schumacher Electric Corporation quedará responsable por daños consecuentes o incidentales. Algunos estados no permiten limitaciones en el período de la garantía limitada o la exclusión o limitación de daños incidentales o consecuentes, de modo que las limitaciones o exclusiones anteriores quizás no se apliquen a usted. Esta garantía le concede derechos legales específicos y usted puede también tener otros derechos que varían de estado en estado.

