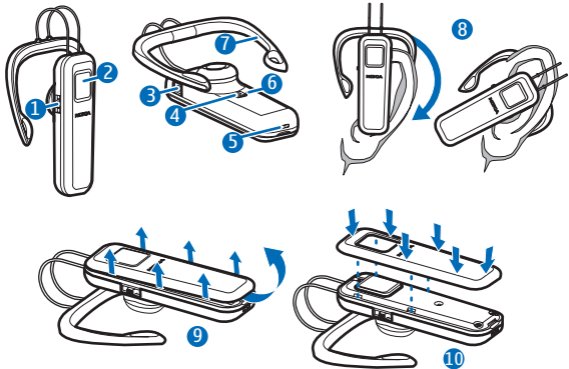


# Nokia Bluetooth Headset BH-301

---



## DECLARATION OF CONFORMITY

Hereby, NOKIA CORPORATION declares that this HS-51W product is in compliance with the essential requirements and other relevant provisions of Directive 1999/5/EC. A copy of the Declaration of Conformity can be found at [http://www.nokia.com/phones/declaration\\_of\\_conformity/](http://www.nokia.com/phones/declaration_of_conformity/).

# CE 0434



The crossed-out wheeled bin means that within the European Union the product must be taken to separate collection at the product end-of-life. Do not dispose

of these products as unsorted municipal waste. For more information, see product Eco-Declaration or country specific information at [www.nokia.com](http://www.nokia.com).

© 2006 Nokia. All rights reserved.

Reproduction, transfer, distribution, or storage of part or all of the contents in this document in any form without the prior written permission of Nokia is prohibited.

Nokia and Nokia Connecting People are registered trademarks of Nokia Corporation. Other product and company names mentioned herein may be trademarks or tradenames of their respective owners. Bluetooth is a registered trademark of Bluetooth SIG, Inc.

Nokia operates a policy of ongoing development. Nokia reserves the right to make changes and improvements to any of the products described in this document without prior notice.

To the maximum extent permitted by applicable law, under no circumstances shall Nokia or any of its licensors be responsible for any loss of data or income or any special, incidental, consequential or indirect damages howsoever caused.

The contents of this document are provided "as is". Except as required by applicable law, no warranties of any kind, either express or implied, including, but not limited to, the implied warranties of merchantability and fitness for a particular purpose, are made in relation to the accuracy, reliability or contents of this document. Nokia reserves

the right to revise this document or withdraw it at any time without prior notice.

The availability of particular products may vary by region. Please check with your Nokia dealer for details.

Unauthorized changes or modifications to this device may void the user's authority to operate the equipment.

## Introduction

---

The Nokia Bluetooth Headset BH-301 allows you to make and receive calls while on the move. You can use the headset with compatible phones that support Bluetooth wireless technology.

Read this user guide carefully before using the headset. Also read the user guide for your phone, which provides important safety and maintenance information. Keep all accessories and enhancements out of reach of small children.

### Export Controls

This device may contain commodities, technology or software subject to export laws and regulations from the US and other countries. Diversion contrary to law is prohibited.

### Bluetooth wireless technology

Bluetooth wireless technology allows you to connect compatible devices without cables. A Bluetooth connection does not require that the phone and the headset be in line of sight, but both devices should be within 10 meters (30 feet) of each other. Connections may be subject to interference from obstructions, such as walls, or other electronic devices.

The headset complies with the Bluetooth Specification 2.0 + EDR

that supports the Headset Profile 1.1 and Hands-Free Profile 1.5. Check with the manufacturers of other devices to determine their compatibility with this headset.

## Get started

---

The headset contains the following parts shown on the title page: volume key (1), answer/end key (2), charger connector (3), power key (4), microphone (5), indicator light (6), and earhook (7).

Before using the headset, you must charge the battery and pair the headset with a compatible phone.

Parts of the headset are magnetic. Metallic materials may be attracted to the headset. Do not place credit cards or other magnetic storage media near the headset, because information stored on them may be erased.

There may be restrictions on using Bluetooth technology in some locations. Check with your local authorities or service provider.

## Chargers

Check the model number of any charger before using it with this headset. The headset is intended for use with the AC-3, AC-4, and DC-4 chargers.



**Warning:** Use only chargers approved by Nokia for use with this particular headset.

The use of any other types may invalidate any approval or warranty and may be dangerous.

For availability of approved enhancements, please check with your dealer. When you disconnect the power cord of any enhancement, grasp and pull the plug, not the cord.

## Charge the battery

The headset has an internal, nonremovable, rechargeable battery. Do not attempt to remove the battery from the headset, as you may damage the headset.

1. Connect the charger to a wall outlet.
2. Connect the charger cable to the charger connector on the headset. The red indicator light is on while charging. It may take a while before charging starts. If charging does not start, connect the charger again and retry. Charging the battery fully may take up to 2 hours.
3. When the battery is fully charged, the red indicator light turns off. Disconnect the charger from the headset and the wall outlet.

The fully charged battery has power for up to 7 hours of talk-time or up to

200 hours of standby time. However, the talk and standby times may vary when the headset is used with different mobile phones or other compatible Bluetooth devices, usage settings, usage styles, and environments.

When battery power is low, the headset sounds a series of beeps and the red indicator light starts to flash.

## Switch the headset on or off

To switch on, press and hold the power key until the green indicator light starts to flash.

To switch off, press and hold the power key until the red indicator light is displayed briefly.

## Pair the headset

1. Switch on your phone and the headset.

2. Activate the Bluetooth feature on the phone, and set the phone to search for Bluetooth devices.
3. Select the headset from the list of found devices.
4. Enter the passcode 0000 to pair and connect the headset to your phone. In some phones you may need to make the connection separately after pairing. You only need to pair the headset with your phone once.

If the pairing is successful, the headset beeps and appears in the

phone menu where you can view the currently paired Bluetooth devices.

To disconnect the headset from your phone, switch off the headset or disconnect it in the Bluetooth menu of your phone.

To connect the headset to your phone, make the connection in the Bluetooth menu of your phone. To set your phone to connect with the headset automatically when the headset is switched on, change your paired device settings in the Bluetooth menu.

## Basic use

---

### Wear the headset

Slide the headset around your ear, and point it toward your mouth (8).

### Change the cover

To remove the current cover, lift it from the headset starting from the microphone end (9). To attach a new cover, carefully press it into place (10).

## Call handling

To make a call, use your phone in the normal way when the headset is connected to your phone.

If your phone supports last number redialing with the headset, press the answer/end key twice briefly while no call is in progress.

To answer or end a call, press the answer/end key. To reject the call, briefly press the answer/end key twice.

To switch the call between the headset and a compatible Nokia

phone, press and hold the answer/end key.

To adjust the headset volume, press the volume key up or down.

## Clear the settings or reset the headset

To clear the settings, press and hold the power key and the answer/end key over 10 seconds.

To reset the headset if it does not function properly, although it is charged, plug the headset into a charger, and briefly press the power key and the answer/end key at the same time.

---

## Battery information

Your headset is powered by a rechargeable battery. The battery can be charged and discharged hundreds of times, but it will eventually wear out. Recharge your battery only with Nokia

approved chargers designated for this headset.

Unplug the charger from the electrical plug and the headset when not in use. Do not leave a fully charged battery

connected to a charger, since overcharging may shorten its lifetime. If left unused, a fully charged battery will lose its charge over time.

Never use any charger that is damaged.

Leaving the headset in hot or cold places, such as in a closed car in summer or winter conditions, will reduce the capacity and lifetime of the battery.

Always try to keep the battery between 15°C and 25°C (59°F and 77°F). A headset

with a hot or cold battery may not work temporarily, even when the battery is fully charged. Battery performance is particularly limited in temperatures well below freezing.

Do not dispose of batteries in a fire as they may explode. Batteries may also explode if damaged. Dispose of batteries according to local regulations. Please recycle when possible. Do not dispose as household waste.

## Care and maintenance

---

Your device is a product of superior design and craftsmanship and should be treated with care. The following suggestions will help you protect your warranty coverage.

- Keep the device dry. Precipitation, humidity, and all types of liquids or moisture can contain minerals that will corrode electronic circuits. If your device does get wet, allow it to dry completely.
- Do not use or store the device in dusty, dirty areas. Its moving parts and electronic components can be damaged.
- Do not store the device in hot areas. High temperatures can shorten the life of electronic devices, damage batteries, and warp or melt certain plastics.



- Do not store the device in cold areas. When the device returns to its normal temperature, moisture can form inside the device and damage electronic circuit boards.
- Do not attempt to open the device.
- Do not drop, knock, or shake the device. Rough handling can break internal circuit boards and fine mechanics.
- Do not use harsh chemicals, cleaning solvents, or strong detergents to clean the device.
- Do not paint the device. Paint can clog the moving parts and prevent proper operation.

All of the above suggestions apply equally to your device, battery, charger, or any enhancement. If any device is not working properly, take it to the nearest authorized service facility for service.

## FCC/Industry Canada notice

This device complies with Part 15 of the FCC Rules. Operation is subject to the following two conditions: 1. This device may not cause harmful interference; and 2. This device must accept any interference received, including interference that may cause undesired operation. This equipment has been tested and found to comply with the limits for a Class B digital device, pursuant to Part 15 of the FCC Rules. These limits are designed to provide reasonable protection against harmful interference in a residential installation. This equipment generates, uses and can radiate radio frequency energy and, if not installed and used in accordance with the instructions, may cause harmful interference to radio communications. However, there is no guarantee that interference will not occur in a particular installation. If this equipment does cause harmful interference to radio or television reception, which can be determined by turning the equipment off and on, the user is

encouraged to try to correct the interference by one or more of the following measures:

Reorient or relocate the receiving antenna.

Increase the separation between the equipment and receiver. Connect the equipment into an outlet on a circuit different from that to which the receiver is connected. Consult the dealer or an experienced radio/TV technician for help.

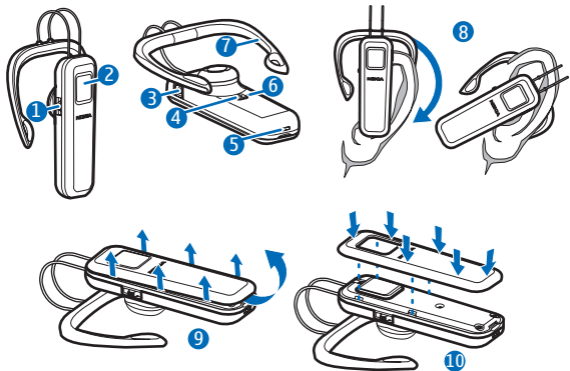
NOTE: FCC Radiation Exposure Statement:

This equipment complies with FCC radiation exposure limits set forth for an uncontrolled environment. This transmitter must not be co-located or operating in conjunction with any other antenna or transmitter. NOTE:

Changes or modifications not expressly approved by Nokia could void the user's authority to operate the equipment.

# Equipo auricular Bluetooth BH-301 de Nokia

---



## DECLARACIÓN DE CONFORMIDAD

Por la presente, NOKIA CORPORATION declara que el producto HS-51W se adapta a las condiciones dispuestas y otras provisiones relevantes de la Directiva 1999/5/EC. Existe una copia de la Declaración de conformidad disponible en la dirección [http://www.nokia.com/phones/declaration\\_of\\_conformity/](http://www.nokia.com/phones/declaration_of_conformity/).

**CE 0434**



La cruz sobre el contenedor indica que en la Unión Europea el producto se debe desechar por separado al término de su vida útil.

No deseche estos productos como basura urbana no diferenciada. Para obtener información acceda a la Eco-Declaración del producto o a la información específica de su país por la dirección <http://www.latinoamerica.nokia.com>.

© 2006 Nokia. Todos los derechos reservados.

Se prohíbe la duplicación, transferencia, distribución o almacenamiento parcial o de todo el contenido de este documento,

en ninguna forma sin previo permiso escrito por Nokia.

Nokia y Nokia Connecting People son marcas comerciales o marcas registradas, de Nokia Corporation. Otros nombres de productos y compañías aquí mencionados pueden ser marcas registradas o marcas comerciales de sus respectivos propietarios.

Bluetooth es una marca registrada de Bluetooth SIG, Inc.

Nokia opera bajo un sistema de desarrollo continuo. Nokia se reserva el derecho de hacer cambios y mejoras en cualquier producto descrito en este manual sin previo aviso.

EN LA EXTENSIÓN MÁXIMA PERMITIDA POR LA LEGISLACIÓN VIGENTE, BAJO NINGUNA CIRCUNSTANCIA NOKIA O SUS CEDENTES DE LICENCIAS SERÁN RESPONSABLES POR CUALQUIER PÉRDIDA DE DATOS, O GANANCIAS, O POR CUALQUIER OTRO DAÑO ESPECIAL, INCIDENTAL, CONSECUENTE O INDIRECTO QUE PUEDA DERIVAR DE DICHAS PÉRDIDAS. EL CONTENIDO DE ESTE DOCUMENTO ESTÁ PROVISTO "TAL CUAL". ADEMÁS DE LAS EXIGIDAS POR LAS LEYES, NO SE EMITE

NINGUNA OTRA GARANTÍA DE NINGÚN TIPO, SEA EXPRESA O IMPLÍCITA, INCLUYENDO, PERO SIN LIMITARSE A, GARANTÍAS IMPLÍCITAS DE MERCADEO Y DE CAPACIDAD PARA UN PROPÓSITO PARTICULAR, EN CUANTO A LA PRECISIÓN Y FIABILIDAD O CONTENIDO DE ESTE DOCUMENTO. NOKIA SE RESERVA EL DERECHO DE REVISAR ESTE DOCUMENTO O DESCONTINUAR SU USO EN CUALQUIER MOMENTO SIN PREVIO AVISO.

La disponibilidad de ciertos productos puede variar según la región. Consulte con su distribuidor de Nokia para obtener detalles.

Cualquier cambio o modificación que no haya sido expresamente aprobado por Nokia puede anular la autoridad del usuario para operar este equipo.

Control de exportaciones

Este dispositivo podría contener bienes, tecnología o software sujetos a leyes y regulaciones de exportación de los Estados Unidos y otros países. Se prohíbe su desvío contrario a las leyes.

## Introducción

---

El Equipo auricular Bluetooth BH-301 de Nokia le permite realizar y recibir llamadas mientras se encuentra en movimiento. Puede usar el equipo auricular con teléfonos compatibles que admitan la tecnología inalámbrica Bluetooth.

Lea atentamente este manual del usuario antes de utilizar el equipo auricular. También lea el manual del usuario de su teléfono, el cual ofrece importante información adicional de seguridad y mantenimiento. Mantenga todos los accesorios fuera del alcance de los niños.

## Tecnología inalámbrica Bluetooth

La tecnología inalámbrica Bluetooth le permite conectar dispositivos compatibles sin utilizar cables. Una conexión Bluetooth no requiere que el teléfono y el equipo auricular estén en línea directa, pero los dispositivos no deben estar a más de 10 metros (30 pies) entre sí. Las conexiones pueden sufrir interferencias a causa de obstrucciones, como por ejemplo, paredes u otros dispositivos electrónicos.

El auricular cumple con la Especificación Bluetooth 2.0 + EDR y es compatible con los siguientes perfiles: Perfil de equipo auricular 1.1 y Perfil manos libres 1.5. Verifique con los fabricantes la compatibilidad de otros dispositivos con este dispositivo. Puede que existan ciertas restricciones al utilizar la tecnología Bluetooth en algunas localidades. Consulte a las autoridades locales o al proveedor de servicios.

## Inicio

El equipo auricular está compuesto por las siguientes piezas que aparecen en la portada: tecla de volumen (1), tecla Hablar/Finalizar (2), conector del cargador (3), tecla Encender/Apagar (4), micrófono (5), luz indicadora (6) y gancho para la oreja (7).

Antes de usar el equipo auricular, primero debe cargar la batería y luego vincularlo con un teléfono compatible. Las piezas del equipo auricular son magnéticas. Los materiales metálicos pueden ser atraídos por el dispositivo. No coloque tarjetas de crédito ni otros

artículos de almacenamiento magnético cerca del dispositivo, ya que la información almacenada puede borrarse.

## Cargadores

Verifique el número de modelo de cualquier cargador antes de usarlo con este auricular. Este dispositivo está diseñado para su uso con los cargadores AC-3, AC-4 y DC-4.



**Advertencia:** Utilice sólo cargadores aprobados por Nokia para este modelo particular de auricular. El uso de otros tipos de accesorios puede anular toda aprobación o garantía aplicables y podría resultar peligroso.

Comuníquese con su distribuidor para obtener información acerca de la disponibilidad de accesorios aprobados. Cuando desconecte el cable de alimentación de cualquier accesorio, sujételo y tirelo del enchufe, no del cable.

## Cargar la batería

Este dispositivo tiene una batería interna, fija y recargable. No trate de retirar la batería del auricular, ya que podría dañar el equipo auricular.

1. Conecte el cargador a un tomacorriente de pared.
2. Conecte el cable del cargador al conector del cargador del equipo auricular. La luz indicadora de color rojo permanece encendida durante la carga. Pueden pasar unos minutos antes de que comience la carga. Si la carga no comienza, conecte nuevamente el cargador y vuelva a intentarlo. Cargar completamente la batería puede tardar hasta dos horas.
3. Cuando la batería está completamente cargada, la luz indicadora de color rojo se apaga. Desconecte el cargador del equipo auricular y del tomacorriente de pared.

Una batería completamente cargada cuenta con energía suficiente para brindar hasta siete horas de tiempo de conversación o 200 horas de tiempo de reserva. Sin embargo, los tiempos de conversación y de reserva pueden variar cuando el auricular se usa con diferentes teléfonos móviles u otros productos compatibles con Bluetooth, según las configuraciones y estilos de uso y según los entornos. Cuando la batería tiene poca energía, el equipo auricular emite una serie de sonidos y la luz indicadora de color rojo comienza a parpadear.

### **Encender o apagar el equipo auricular**

Para encenderlo, mantenga pulsada la tecla Encender/Apagar hasta que la luz indicadora de color verde comience a parpadear.

Para apagarlo, mantenga pulsada la tecla Encender/Apagar hasta que la luz indicadora de color rojo aparezca brevemente.

### **Vincular el equipo auricular**

1. Encienda el teléfono y el equipo auricular.
2. Active la función Bluetooth en el teléfono y programe el teléfono para que busque dispositivos Bluetooth.
3. Seleccione el equipo auricular en la lista de dispositivos encontrados.
4. Para realizar la vinculación, ingrese el código de acceso 0000 y conecte el equipo auricular al teléfono. En algunos teléfonos, después de realizar la vinculación, puede que



deba efectuar la conexión por separado. La vinculación del equipo auricular con el teléfono se realiza sólo una vez.

Si la vinculación se realiza correctamente, el equipo auricular emite un sonido y aparece en el menú del teléfono, donde puede ver los dispositivos Bluetooth actualmente vinculados.

Para desconectar el auricular desde el teléfono, apague el auricular o

desconéctelo en el menú Bluetooth del teléfono.

Para conectar el auricular al teléfono, realice la conexión en el menú Bluetooth del teléfono. Para configurar el teléfono para que se conecte automáticamente con el equipo auricular cuando éste se encienda, cambie la configuración del dispositivo vinculado en el menú Bluetooth.

## Uso básico

### Postura del equipo auricular

Deslice el auricular alrededor de la oreja y apúntelo hacia su boca (8).

### Cambiar la cubierta

Para extraer la cubierta actual, levántela desde el auricular y comience desde el extremo del

micrófono (9). Para colocar una cubierta nueva, presiónela cuidadosamente en su lugar (10).

### Manejo de llamadas

Para realizar una llamada, cuando el equipo auricular esté conectado al

teléfono, use el teléfono en la forma habitual.

Si su teléfono admite el remarcado del último número con el auricular, pulse brevemente la tecla Hablar/Finalizar dos veces cuando no haya llamadas en curso.

Para responder o terminar una llamada, pulse la tecla Hablar/Finalizar. Para rechazar la llamada, pulse brevemente la tecla Hablar/Finalizar dos veces.

Para alternar la llamada entre el equipo auricular y el teléfono compatible Nokia, mantenga pulsada la tecla Hablar/Finalizar.

Para ajustar el volumen del auricular, pulse la tecla de volumen hacia arriba o hacia abajo.

## **Borrar las configuraciones o restaurar el equipo auricular**

Para borrar todas las configuraciones, mantenga pulsadas las teclas Encender/Apagar y Hablar/Finalizar durante 10 segundos.

Para reiniciar el equipo auricular si no funciona correctamente, a pesar de estar cargado, conecte el equipo auricular al cargador y pulse brevemente la tecla Encender/Apagar y la tecla Hablar/Finalizar al mismo tiempo.

## Información de la batería

Su auricular recibe alimentación eléctrica a través de una batería recargable. La batería se puede cargar y descargar cientos de veces, pero con el tiempo se gastará. Utilice únicamente las baterías aprobadas por Nokia y recárguelas sólo con los cargadores aprobados por Nokia para este auricular.

Desconecte el cargador de la tomacorriente y del auricular cuando no esté en uso. No deje la batería conectada al cargador tras cargarla completamente, puesto que la sobrecarga podría acortar la vida útil de la batería. Si una batería totalmente cargada no se utiliza por un tiempo, se descargará paulatinamente.

No utilice nunca cargadores dañados.

Dejar el auricular en lugares calurosos o fríos como el interior de un automóvil cerrado y expuesto a la intemperie del verano o del invierno, reducirá la capacidad y vida útil de la batería.

Intente mantener la batería siempre a

una temperatura entre los 15 °C y 25 °C (59 °F y 77 °F). Un auricular con la batería demasiado fría o caliente puede dejar de funcionar temporalmente, aun cuando la batería se encuentre completamente cargada. El rendimiento de la batería se ve particularmente limitado en temperaturas inferiores al punto de congelación.

No incendie las baterías, puesto que pueden explotar. También pueden explotar si están dañadas. Elimine las baterías conforme a las normativas locales. Recíclelas siempre que sea posible. No las deseche con los desperdicios domésticos.

## Cuidado y mantenimiento

Este dispositivo es un producto de diseño y fabricación excelentes y debe tratarse con cuidado. Las sugerencias a continuación le ayudarán a mantener la cobertura de su garantía.

- Mantenga el dispositivo seco. La lluvia, la humedad y todos los líquidos contienen minerales que pueden oxidar los circuitos electrónicos. Si el dispositivo se moja, déjelo secarse completamente.
- No utilice ni guarde el dispositivo en lugares sucios o polvorientos. Las piezas móviles y los componentes electrónicos podrían dañarse.
- No guarde el dispositivo en lugares calurosos. Las altas temperaturas pueden reducir la vida útil de los dispositivos electrónicos, dañar las baterías y deformar o derretir algunos tipos de plástico.
- No guarde el dispositivo en lugares fríos. Cuando el dispositivo recupera su temperatura normal, puede formarse humedad en su interior, lo cual puede dañar las placas de los circuitos electrónicos.
- No trate de abrir el dispositivo.
- No deje caer, golpee ni mueva bruscamente el dispositivo. Los manejos bruscos pueden romper las placas de circuitos internos y las piezas mecánicas más delicadas.

- No utilice productos químicos perjudiciales, disolventes ni detergentes fuertes para limpiar el dispositivo.
- No pinte el dispositivo. La pintura puede obstruir las piezas móviles e impedir un funcionamiento apropiado.

Todas estas recomendaciones se aplican de igual manera para su dispositivo, batería, cargador o cualquier accesorio. Si algún dispositivo no funciona, llévelo a su centro de servicio especializado más cercano.

## Aviso de la FCC/ Industria Canadiense

Este aparato cumple con la Sección 15 de los Reglamentos de la FCC. Su funcionamiento está sujeto a las siguientes condiciones: (1) este dispositivo no debe causar interferencia perjudicial, y (2) este dispositivo debe aceptar cualquier interferencia recibida,

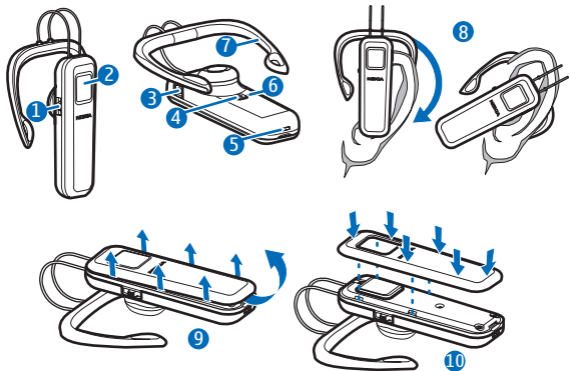
incluso interferencia que pueda causar un funcionamiento no deseado. Este equipo ha sido probado y cumple con los límites para un aparato digital Clase B, en conformidad con la Sección 15 de los Reglamentos de la FCC. Estos límites se diseñaron para ofrecer protección adecuada frente a las interferencias dañinas en una instalación residencial. Este equipo genera, utiliza y puede irradiar energía de radiofrecuencia y, si no se instala ni utiliza según las instrucciones, puede provocar interferencia dañina en las comunicaciones de radio. No obstante, no existe garantía alguna de que no se producirá interferencia en una instalación en particular. En caso de que este equipo provocara interferencia dañina en la recepción de radio o televisión, lo que se puede determinar al apagar y encender el equipo, se recomienda al usuario que trate de corregir la interferencia utilizando una o más de las siguientes medidas: volver a orientar o ubicar la antena receptora. Aumentar la separación entre el equipo y el receptor. Conectar el equipo a una salida en un circuito distinto al circuito al que está conectado el receptor. Consultar con el distribuidor o con un técnico experimentado

en radio/TV para recibir ayuda. NOTA: Declaración de exposición a la radiación de la FCC: este equipo cumple con los límites de exposición a la radiación de la FCC determinados para un entorno sin supervisión. Este transmisor no debe ubicarse ni operar junto a otra antena u otro transmisor. NOTA: Cualquier cambio o modificación que no haya sido expresamente aprobado por Nokia puede anular la autoridad del usuario para operar el equipo.

# Fone de Ouvido

## Nokia Bluetooth BH-301

---



## DECLARAÇÃO DE CONFORMIDADE

A NOKIA CORPORATION declara, neste instrumento, que o produto HS-51W está em conformidade com as exigências básicas e outras disposições relevantes da Diretiva 1999/5/EC. Para obter uma cópia da Declaração de Conformidade, acesse o site, em inglês, [http://www.nokia.com/phones/declaration\\_of\\_conformity/](http://www.nokia.com/phones/declaration_of_conformity/).

# CE 0434



O símbolo do contentor de lixo riscado significa que, na União Européia, o produto deve ser separado para coleta seletiva no final da vida útil. Não descarte

esses produtos como lixo doméstico comum.

Para obter mais informações, consulte a Eco-Declaração do produto, em inglês, ou as informações específicas do país em [www.nokia.com.br](http://www.nokia.com.br).

© 2006 Nokia. Todos os direitos reservados.

É proibida a reprodução, transferência, distribuição ou armazenamento, no todo ou em parte, do conteúdo deste documento,

de qualquer forma, sem a prévia autorização da Nokia Corporation.

Nokia, Nokia Connection People, Nokia Care, Nseries, Xpress-on e Pop-Port são marcas registradas ou não da Nokia Corporation. Outros nomes de produto e empresa mencionados neste manual podem ser marcas comerciais ou marcas registradas de seus proprietários.

Bluetooth é uma marca registrada da Bluetooth SIG, Inc.

A Nokia adota uma política de desenvolvimento contínuo. A Nokia reserva-se o direito de fazer alterações e melhorias em qualquer dos produtos descritos neste documento sem aviso prévio.

No limite permitido pela lei aplicável, nem a Nokia nem qualquer de seus licenciados serão, em hipótese alguma, responsáveis por quaisquer perdas de dados ou ganhos, incluindo danos extraordinários, incidentais, conseqüentes ou indiretos, seja qual for a causa.

O conteúdo deste documento é fornecido "no estado em que se encontra". Salvo nos casos em que a lei em vigor o exija, nenhuma garantia, de qualquer espécie, expressa ou



implícita, incluindo, porém não limitada, às garantias implícitas de comercialização e aptidão para uma finalidade específica, será oferecida em relação à precisão, confiabilidade ou ao conteúdo deste documento. A Nokia reserva-se o direito de revisar este documento ou de excluí-lo a qualquer tempo, sem aviso prévio.

A disponibilidade de determinados produtos e seus aplicativos pode variar conforme a região. Verifique, com o revendedor Nokia, os detalhes e a disponibilidade de opções de idioma.

Alterações ou modificações não autorizadas neste aparelho podem impedir que o usuário opere adequadamente o equipamento.

#### Controles de exportação

Este dispositivo contém artigos, tecnologia ou software sujeitos às leis e regulamentos de exportação dos Estados Unidos da América e outros países. Proíbe-se qualquer uso contrário às referidas leis.

Para saber o endereço e o telefone da Assistência Técnica Autorizada Nokia mais próxima, consulte o site [www.nokia.com.br/meucelular](http://www.nokia.com.br/meucelular) ou ligue para a Central de Relacionamento Nokia.

# NOKIA

## Care

"Este equipamento opera em caráter secundário, isto é, não tem direito à proteção contra interferência prejudicial, mesmo de estações do mesmo tipo, e não pode causar interferência a sistemas operando em caráter primário."

**NOKIA**



(01)07894396839107



[www.anatel.gov.br](http://www.anatel.gov.br)

# NOKIA

CONNECTING PEOPLE

© Nokia 2006. Todos os direitos reservados.

Os logotipos Nokia, Connecting People e Original Enhancements são marcas registradas e/ou marcas comerciais da Nokia Corporation e/ou companhias afiliadas.

Edição 1

Impresso nos EUA

9255273

## Apresentação

---

O fone de ouvido Nokia Bluetooth BH-301 permite fazer e receber chamadas enquanto você está em movimento. Você pode usar o fone de ouvido com telefones compatíveis que suportem a tecnologia Bluetooth.

Leia atentamente este Manual do Usuário antes de utilizar o fone de ouvido. Leia também o Manual do Usuário de seu telefone, que fornece informações importantes sobre segurança e manutenção. Mantenha todos os acessórios fora do alcance de crianças.

### Tecnologia Bluetooth

A tecnologia Bluetooth permite conexão sem fio entre dispositivos compatíveis. A conexão Bluetooth não exige que o celular e o fone de ouvido estejam na mesma linha de visão, mas eles devem estar a uma distância

máxima de 10 metros um do outro. As conexões podem estar sujeitas a interferências causadas por obstruções, como paredes ou outros aparelhos eletrônicos.

O fone de ouvido é compatível com a Especificação Bluetooth 2.0 + EDR que fornece suporte ao Perfil de Fone de Ouvido 1.1 e ao Perfil de Viva-voz 1.5. Consulte o fabricante de outros dispositivos para determinar a compatibilidade deles com este fone de ouvido.

Em determinados locais, é possível haver restrições relativas ao uso da tecnologia Bluetooth. Consulte as autoridades locais ou a operadora.

## Introdução

O fone de ouvido contém os seguintes componentes, mostrados na página de título: botão de volume (1), botão Atender/Encerrar (2), conector do carregador (3), botão Liga/Desliga (4) microfone (5), luz indicadora (6) e gancho de orelha (7).

Antes de utilizar o fone de ouvido, é necessário carregar a bateria e associar o fone de ouvido a um celular compatível.

Os componentes do fone de ouvido são magnéticos. Objetos de metal podem ser atraídos pelo fone de ouvido. Não coloque cartões de crédito nem qualquer outro meio de armazenamento magnético próximo ao fone de ouvido, pois as informações neles contidas poderão ser apagadas.

## Carregadores

Verifique o número do modelo do carregador antes de utilizá-lo com este fone de ouvido. O fone de ouvido foi projetado para ser usado com os carregadores AC-3, AC-4 e DC-4.



**Aviso:** Utilize apenas carregadores aprovados pela Nokia para uso com este fone de ouvido específico. O uso de outros tipos de carregadores pode invalidar qualquer aprovação ou garantia, além de oferecer perigo.

Para obter informações sobre a disponibilidade de acessórios aprovados, consulte o revendedor autorizado. Para desconectar o cabo de alimentação de qualquer acessório, segure e puxe o plugue, não o cabo.

## Carregar a bateria

O fone de ouvido possui uma bateria interna recarregável e não removível. Não tente remover a bateria do fone de ouvido, pois poderá danificá-lo.

1. Conecte o carregador a uma tomada.
2. Conecte o cabo do carregador ao fone de ouvido. A luz indicadora vermelha permanece acesa durante o carregamento. Pode demorar alguns minutos até o início do carregamento. Se o carregamento não for iniciado, conecte o carregador novamente e tente de novo. O carregamento completo da bateria pode levar até 2 horas.
3. Quando a bateria estiver totalmente carregada, a luz indicadora vermelha será apagada. Desconecte o carregador do fone de ouvido e da tomada.

A bateria totalmente carregada tem duração de até 7 horas de conversação ou até 200 horas em modo de espera. No entanto, os tempos de conversação e de espera podem variar dependendo dos celulares ou dos dispositivos compatíveis com Bluetooth utilizados, das configurações de uso, do modo de uso e do ambiente.

Quando a carga da bateria estiver fraca, o fone de ouvido emitirá uma série de bipes e a luz indicadora vermelha começará a piscar.

## Ligar ou desligar o fone de ouvido

Para ligar, pressione e mantenha pressionado o botão Liga/Desliga até que a luz indicadora verde comece a piscar.

Para desligar, pressione e mantenha pressionado o botão Liga/Desliga até que a luz indicadora vermelha acenda brevemente.

### **Associar o fone de ouvido**

1. Ligue seu telefone e o fone de ouvido.
2. Ative o recurso Bluetooth do telefone e configure-o para procurar dispositivos Bluetooth.
3. Selecione o fone de ouvido na lista de dispositivos encontrados.
4. Digite a senha 0000 para associar e conectar o fone de ouvido ao seu celular. Em alguns telefones, talvez seja necessário fazer a conexão separadamente após a associação. Você só precisa associar o fone de ouvido ao celular uma vez.

Se a associação foi feita, o fone de ouvido emite bipes e aparece no menu do telefone no qual você vê os dispositivos Bluetooth associados no momento.

Para desconectar o fone de ouvido do telefone, desligue o fone ou desconecte-o no menu Bluetooth do telefone.

Para conectar o fone de ouvido ao telefone, faça a conexão no menu Bluetooth do telefone. Para definir o telefone para conectar-se automaticamente ao fone de ouvido quando este for ligado, altere as configurações de dispositivo associado no menu Bluetooth.

## Uso básico

### Como usar o fone de ouvido

Coloque o fone de ouvido na orelha e aponte-o em direção à sua boca (8).

### Alterar a tampa

Para remover a tampa atual, suspenda-a do fone de ouvido, começando pela extremidade do microfone (9). Para fixar uma nova tampa, pressione-a com cuidado no local (10).

### Chamadas

Para fazer uma chamada, use seu telefone da maneira normal quando o fone de ouvido estiver conectado. Se o seu telefone aceitar rediscagem de último número com o fone de ouvido, pressione o botão Atender/Encerrar duas vezes brevemente

quando não houver nenhuma chamada em andamento.

Para atender ou encerrar uma chamada, pressione o botão Atender/Encerrar. Para recusar a chamada, pressione brevemente o botão Atender/Encerrar duas vezes.

Para alternar a chamada entre o fone de ouvido e um telefone Nokia compatível, pressione e mantenha pressionado o botão Atender/Encerrar.

Para ajustar o volume do fone de ouvido, pressione o botão de volume para cima ou para baixo.

### Apagar as configurações ou reiniciar o fone de ouvido

Para apagar todas as configurações, mantenha pressionado o botão Liga/Desliga e o botão Atender/Encerrar por 10 segundos.

Para reiniciar o fone de ouvido se ele não funcionar corretamente, mesmo estando carregado, conecte-o a um

carregador e pressione brevemente o botão Liga/Desliga e o botão Atender/Encerrar ao mesmo tempo.

## Informações sobre a bateria

---

O fone de ouvido é alimentado por uma bateria recarregável. A bateria pode ser carregada e descarregada centenas de vezes até atingir o final de sua vida útil. Recarregue a bateria somente usando os carregadores aprovados pela Nokia, destinados a este fone de ouvido.

Desligue o carregador da tomada e do fone de ouvido quando ele não estiver sendo utilizado. Não deixe uma bateria totalmente carregada conectada ao carregador, pois a carga excessiva poderá encurtar sua vida útil. Se uma bateria completamente carregada não for utilizada, perderá a carga ao longo do tempo.

Nunca utilize um carregador com defeito.

Deixar o fone de ouvido em locais quentes ou frios, como um carro fechado no calor ou frio extremo, reduzirá a capacidade e a duração da bateria. Tente sempre manter a bateria entre 15°C e 25°C. Um fone de ouvido utilizado com uma bateria quente ou fria pode não funcionar temporariamente, mesmo que a bateria esteja completamente carregada. O desempenho da bateria é particularmente limitado em temperaturas muito abaixo de zero.

Não aproxime baterias do fogo, pois elas podem explodir. As baterias podem explodir se danificadas. Descarte-as de acordo com as leis locais. Recicle-as sempre que possível. Não descarte baterias com o lixo doméstico.



## Cuidado e manutenção

Este dispositivo é um produto de qualidade superior e deverá ser tratado com cuidado. As sugestões a seguir ajudarão a assegurar a cobertura da garantia.

- Mantenha o dispositivo seco. Chuva, umidade e todos os tipos de líquidos podem conter minerais que provocam corrosão dos circuitos eletrônicos. Se o dispositivo entrar em contato com líquidos, deixe-o secar completamente.
- Não utilize nem guarde o dispositivo em locais com pó e sujeira. Os componentes móveis e eletrônicos poderão ser danificados.
- Não guarde o dispositivo em locais quentes. As altas temperaturas podem reduzir a duração dos dispositivos eletrônicos, danificar as baterias e deformar ou derreter determinados plásticos.
- Não guarde o dispositivo em locais frios. Quando o dispositivo retornar à temperatura normal, poderá haver formação de umidade na parte interna, podendo danificar as placas dos circuitos eletrônicos.
- Não tente abrir o dispositivo.
- Não sacuda, não bata nem deixe cair o dispositivo. O manuseio indevido pode quebrar as placas do circuito interno e os mecanismos mais delicados.
- Não utilize produtos químicos abrasivos, solventes de limpeza nem detergentes concentrados para limpar o dispositivo.
- Não pinte o dispositivo. A pintura pode bloquear os componentes móveis e impedir o funcionamento correto.

Essas sugestões se aplicam igualmente ao dispositivo, à bateria, ao carregador ou a qualquer acessório. Se qualquer

dispositivo não estiver funcionando corretamente, leve-o à assistência técnica autorizada mais próxima.

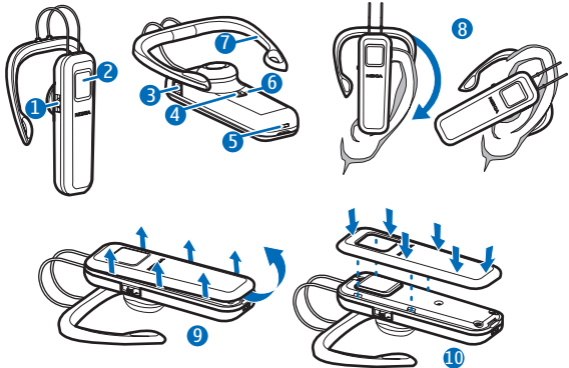
## Garantia limitada

---

O Certificado de Garantia encontra-se na caixa do produto e deve ser apresentado para qualquer prestação de serviço de assistência técnica em um Posto de Serviço Autorizado Nokia.

# Écouteur Bluetooth BH-301 de Nokia

---



9255273/1

## DÉCLARATION DE CONFORMITÉ

Par la présente, NOKIA CORPORATION déclare que le produit HS-51W est conforme aux exigences essentielles et aux dispositions pertinentes de la Directive 1999/5/EC. Vous pouvez obtenir une copie de la déclaration de conformité à l'adresse [http://www.nokia.com/phones/declaration\\_of\\_conformity/](http://www.nokia.com/phones/declaration_of_conformity/).

# CE 0434



La poubelle barrée d'une croix signifie que, à l'intérieur de l'Union européenne, ce produit doit être envoyé dans un lieu de collecte distinct lorsqu'il n'est plus utilisé.

Il ne doit pas être mis au rebut avec les déchets municipaux normaux non triés. Pour plus d'information à ce sujet, reportez-vous à la fiche « Eco-Déclaration » du produit ou bien aux renseignements propres à votre pays sur le site [www.nokia.com](http://www.nokia.com).

© 2006 Nokia. Tous droits réservés.

Il est interdit de reproduire, transférer, diffuser ou stocker le contenu du présent

document, en tout ou en partie, sous quelque forme que ce soit, sans l'autorisation écrite préalable de Nokia.

Nokia et Nokia Connecting People sont des marques déposées de Nokia Corporation. Les autres noms de produit et de société mentionnés sont des marques de commerce ou des appellations commerciales de leurs propriétaires respectifs.

Bluetooth est une marque déposée de Bluetooth SIG, Inc.

Nokia applique une politique de développement continu. Nokia se réserve le droit d'apporter des modifications et des améliorations à tout produit mentionné dans le présent document sans avis préalable.

Dans la mesure où les lois en vigueur le permettent, Nokia ou toute partie concédante ne peut en aucun cas être tenue responsable de toute perte de données ou de tout manque à gagner ainsi que de tout dommage particulier, accessoire, consécutif, punitif ou indirect, quelle qu'en soit la cause.

Le contenu de ce document est fourni « tel quel ». Dans la mesure permise par les lois applicables, aucune garantie, expresse ou implicite, y compris, mais sans s'y limiter,

les garanties implicites de qualité marchande ou d'adéquation à un usage particulier, n'est donnée en ce qui concerne l'exactitude, la fiabilité ou le contenu du présent document. Nokia se réserve le droit de modifier ou d'annuler le présent document à tout moment sans préavis.

La disponibilité des produits peut varier selon les régions. Renseignez-vous auprès de votre détaillant Nokia pour plus de détails.

## Introduction

---

L'écouteur Bluetooth BH-301 de Nokia vous permet de faire et de recevoir des appels lorsque vous êtes sur la route. Vous pouvez utiliser l'écouteur avec des téléphones compatibles prenant en charge la technologie sans fil Bluetooth.

Lisez attentivement le présent guide d'utilisation avant de vous servir de l'écouteur. Lisez aussi le guide d'utilisation de votre téléphone,

Les modifications ou les changements non approuvés apportés à cet appareil pourraient annuler le droit de l'utilisateur de se servir de l'appareil.

### Contrôle des exportations

Cet appareil peut contenir des marchandises, des technologies ou des logiciels assujettis aux lois et aux règlements sur l'exportation en vigueur aux États-Unis et dans d'autres pays. Il est interdit d'exporter ce produit en contravention de la loi.

qui contient des renseignements importants sur la sécurité et l'entretien de votre appareil. Conservez tous les accessoires hors de la portée des jeunes enfants.

### Technologie sans fil Bluetooth

La technologie sans fil Bluetooth permet de connecter des appareils compatibles sans utiliser de câble. Une connexion Bluetooth ne requiert

pas que le téléphone et l'écouteur soient placés en ligne directe, mais les deux appareils doivent être situés à moins de 10 mètres (30 pieds) l'un de l'autre. Cependant, cette connexion est sensible aux interférences provoquées par des obstacles tels que les murs, ou par d'autres appareils électroniques.

L'écouteur est compatible avec la norme Bluetooth 2.0 + EDR, qui

## Avant de commencer

---

L'écouteur comprend les pièces et les touches illustrées à la page titre : touche de réglage du volume (1), touche de réponse/fin (2), prise pour chargeur (3), interrupteur (4), microphone (5), voyant lumineux (6) et boucle contour d'oreille (7).

prend en charge les profils Écouteur (HSP) 1.1 et Mains libres (HFP) 1.5. Pour déterminer la compatibilité d'autres appareils avec votre écouteur, communiquez avec leur fabricant.

L'utilisation de la technologie Bluetooth peut faire l'objet de restrictions dans certaines régions. Renseignez-vous auprès des autorités locales ou de votre fournisseur de services.

Avant d'utiliser l'écouteur, vous devez charger la pile et l'associer à un téléphone compatible.

Votre appareil comprend des pièces magnétiques qui pourraient attirer les articles en métal. Ne mettez pas de cartes de crédit ou d'autres supports de stockage magnétiques à proximité de l'écouteur; cela risquerait d'effacer l'information qu'ils contiennent.

## Chargeurs

Vérifiez toujours le numéro de modèle d'un chargeur avant de l'utiliser avec cet appareil. L'écouteur a été conçu pour être utilisé avec les chargeurs AC-3, ACH4 et DC-4.



**Mise en garde :** N'utilisez que des chargeurs approuvés par Nokia pour cet appareil.

L'utilisation de tout autre accessoire peut annuler toute homologation ou garantie s'appliquant à l'appareil et peut se révéler dangereuse.

Pour toute question concernant la disponibilité des accessoires approuvés, adressez-vous à votre détaillant. Lorsque vous débranchez le cordon d'alimentation d'un appareil, tirez sur la fiche, et non sur le cordon.

## Charger la pile

L'écouteur comporte une pile interne fixe rechargeable. Ne tentez pas de la retirer, car vous pourriez endommager l'écouteur.

1. Branchez le chargeur dans une prise murale.
2. Connectez le chargeur à la prise de l'écouteur. Durant la charge, le voyant lumineux demeure allumé en rouge. Il peut s'écouler un certain temps avant que la charge commence. Si le chargement ne commence pas, débranchez le chargeur, puis rebranchez-le. Cela peut prendre jusqu'à deux heures pour charger la pile complètement.

3. Une fois la pile complètement chargée, le voyant s'éteint. Débranchez alors le chargeur de l'écouteur, puis de la prise murale.

Lorsqu'elle est complètement chargée, la pile offre une durée maximale de six heures en mode conversation ou de 200 heures en mode veille. Cependant, ces durées peuvent varier selon le téléphone ou les autres produits Bluetooth compatibles utilisés, ainsi qu'en fonction des paramètres, des habitudes et de l'environnement d'utilisation.

Lorsque la pile est presque déchargée, l'écouteur émet une série de bips et le voyant commence à clignoter en rouge.

## Allumer et éteindre l'écouteur

Pour allumer l'écouteur, maintenez l'interrupteur enfoncé jusqu'à ce que le voyant lumineux clignote en vert.

Pour éteindre l'écouteur, maintenez l'interrupteur enfoncé jusqu'à ce que le voyant lumineux s'allume en rouge pendant un court instant.

## Associer l'écouteur

1. Allumez le téléphone et l'écouteur.
2. Activez la connectivité Bluetooth sur le téléphone, puis programmez celui-ci pour qu'il cherche d'autres appareils Bluetooth à proximité.
3. Sélectionnez l'écouteur dans la liste des appareils trouvés.



4. Entrez le code d'authentification 0000 pour associer l'écouteur à votre téléphone et établir une liaison entre les deux appareils. Dans certains cas, vous devrez établir la connexion de façon distincte après l'association. Vous n'aurez à associer les appareils qu'une seule fois.

Si l'association réussit, l'écouteur émet un bip et s'affiche dans le menu du téléphone, où vous pouvez voir les appareils Bluetooth présentement associés.

Pour déconnecter l'écouteur de votre téléphone, éteignez l'écouteur ou déconnectez-le à partir du menu Bluetooth de votre téléphone.

Pour connecter l'écouteur à votre téléphone, établissez la connexion dans le menu Bluetooth de votre téléphone. Pour configurer votre téléphone de manière à ce qu'il se connecte automatiquement à l'écouteur lorsque ce dernier est allumé, réglez les paramètres de l'appareil associé dans le menu Bluetooth de votre téléphone.

## Fonctions de base

---

### Porter l'écouteur

Installez l'écouteur autour de votre oreille, puis dirigez-le vers votre bouche (8).

### Remplacer la façade

Pour retirer la façade actuelle, soulevez-la à partir de l'extrémité du microphone (9). Pour fixer

une nouvelle façade, posez-la délicatement afin qu'elle soit bien en place (10).

## Fonctions téléphoniques

Pour faire un appel lorsque l'écouteur est en liaison avec votre téléphone, utilisez ce dernier de la manière habituelle.

Si votre téléphone prend en charge la recomposition du dernier numéro avec un écouteur et qu'aucun appel n'est en cours, appuyez brièvement deux fois sur la touche de réponse/fin.

Pour répondre à un appel ou y mettre fin, appuyez sur la touche de réponse/fin. Pour refuser un appel, appuyez brièvement deux fois sur la touche de réponse/fin.

Pour faire basculer l'appel entre l'écouteur et un téléphone Nokia compatible, maintenez enfoncée la touche de réponse/fin.

Pour régler le volume en cours d'appel, servez-vous de la touche de volume.

## Supprimer les paramètres ou réinitialiser l'écouteur

Pour effacer les paramètres, maintenez l'interrupteur et la touche de réponse/fin enfoncés pendant 10 secondes.

Pour réinitialiser l'écouteur s'il ne fonctionne pas correctement bien qu'il soit chargé, branchez-le à un chargeur, puis appuyez brièvement sur l'interrupteur et sur la touche de réponse/fin en même temps.

## Renseignements sur la pile

Votre écouteur est alimenté par une pile rechargeable. La pile peut être chargée et déchargée des centaines de fois, mais elle finira par perdre sa capacité de charge. Ne rechargez votre pile qu'avec des chargeurs conçus pour cet écouteur et approuvés par Nokia.

Débranchez le chargeur de la prise de courant et de l'écouteur lorsqu'il n'est pas utilisé. Ne laissez pas la pile chargée branchée à un chargeur. La surcharge risque d'abrèger la durée de vie de la pile. Si elle n'est pas utilisée, une pile complètement chargée perd sa charge avec le temps.

N'utilisez jamais un chargeur endommagé.

L'exposition de la pile à des températures élevées ou basses, comme dans une automobile fermée en été ou en hiver, réduit la capacité et la durée utile de la pile. Essayez de toujours conserver la pile à une température entre 15 et 25 °C (59 et 77 °F). Votre écouteur peut ne pas fonctionner temporairement si la pile est trop chaude ou trop froide, même si elle est complètement chargée. Le rendement de la pile est réduit considérablement lorsque la température est bien inférieure au point de congélation.

Ne jetez jamais une pile au feu car elle pourrait exploser. Les piles peuvent aussi exploser si elles sont endommagées. Débarrassez-vous-en conformément à la réglementation locale. Recyclez-la quand c'est possible. Ne la jetez pas avec les ordures ménagères.

## Entretien et réparation

Votre appareil est un produit de conception et de fabrication supérieures qui doit être traité avec soin. Les suggestions ci-dessous vous aideront à remplir toutes les obligations de la garantie.

- Gardez l'appareil au sec. La pluie, l'humidité et autres types de liquides peuvent contenir des minéraux susceptibles d'endommager les circuits électroniques. Si votre appareil est mouillé, laissez-le sécher complètement.
- N'utilisez pas et ne rangez pas l'appareil dans un endroit poussiéreux ou sale. Vous risqueriez d'endommager ses pièces mobiles et ses composants électroniques.
- Ne rangez pas l'appareil dans un endroit chaud. Les températures élevées sont susceptibles de réduire la durée de vie des composants électroniques, d'endommager les piles et de déformer ou de faire fondre certaines pièces en plastique.
- Ne rangez pas l'appareil dans un endroit froid. Lorsque le téléphone revient à sa température normale de fonctionnement, de l'humidité peut se condenser à l'intérieur et endommager les circuits électroniques.
- N'essayez pas d'ouvrir l'écouteur.

- Ne le secouez pas, ne le heurtez pas et ne le laissez pas tomber. Toute manœuvre brusque peut briser les cartes de circuits internes et les petites pièces mécaniques.
- Ne vous servez pas de produits chimiques forts, de solvants ou de détergents puissants pour nettoyer cet appareil.
- Ne peignez pas l'appareil. La peinture peut bloquer les pièces mobiles et nuire à son bon fonctionnement.

Tous les conseils ci-dessus s'appliquent également à l'appareil, aux piles, aux chargeurs et à tout accessoire. Si l'appareil ne fonctionne pas correctement, apportez-le au centre de service le plus près de chez vous pour le faire réparer.

## Avis de la FCC et d'Industrie Canada

Cet appareil est conforme aux dispositions de la partie 15 du règlement de la FCC. Son utilisation est assujettie aux deux conditions suivantes : 1) l'appareil ne doit pas causer d'interférence nuisible; et 2) il doit accepter toute interférence à la réception, y compris une interférence susceptible de gêner son fonctionnement. Cet appareil a été vérifié et s'est révélé conforme aux limites pour un appareil numérique de classe B, conformément à la partie 15 du règlement de la FCC. Ces limites sont conçues pour offrir une protection raisonnable contre les interférences nuisibles dans un logement résidentiel. Cet appareil produit et utilise de l'énergie de radiofréquence et, s'il n'est pas installé et utilisé conformément aux directives, peut causer de l'interférence nuisible aux communications radio. Il n'existe toutefois aucune garantie que de l'interférence ne surviendra pas dans une installation donnée. Si cet appareil cause de l'interférence nuisible à la réception radio ou

télévision, ce qui peut être déterminé en éteignant et en allumant l'appareil, essayez de corriger l'interférence au moyen des mesures suivantes : réorientez ou déplacez l'antenne; augmentez la distance entre l'appareil et le récepteur; connectez l'appareil dans une prise d'un circuit différent de celui où est connecté le récepteur; consultez le fournisseur ou un technicien en radio/télévision expérimenté pour obtenir de l'aide. REMARQUE :

Énoncé de la FCC relatif à l'exposition aux rayonnements : Cet appareil est conforme aux limites d'exposition aux rayonnements définies par la FCC dans un environnement non contrôlé. Ce transmetteur ne doit pas être situé près d'une autre antenne ou d'un autre type de transmetteur ni être utilisé conjointement avec ce type d'équipement. REMARQUE : Les changements et modifications non formellement approuvés par Nokia pourraient annuler le droit de l'utilisateur de se servir de l'appareil.