

# Extron Desktop Power Supplies

Replacement Power Supplies, 100-240VAC, 50/60 Hz to 9, 12, and 15 Volts DC

## FEATURES

- Universal IEC input easily accepts international power cords
- Compact footprint requires little desktop or rack space
- US style Edison 6-foot detachable IEC cord included
- CE, UL and EC listed
- Worldwide compatibility, 100VAC to 240VAC universal

## DESCRIPTION

Extron offers desktop power supplies that can be ordered and installed easily. Each power supply is CE, UL, and EC listed and features worldwide compatibility — 100-240VAC universal — with an IEC input to accept international power cords. These rugged and reliable power supplies provide sufficient amperage to allow two or three Extron products to be daisy chained to a single power supply.



## MODEL

## VERSION DESCRIPTION

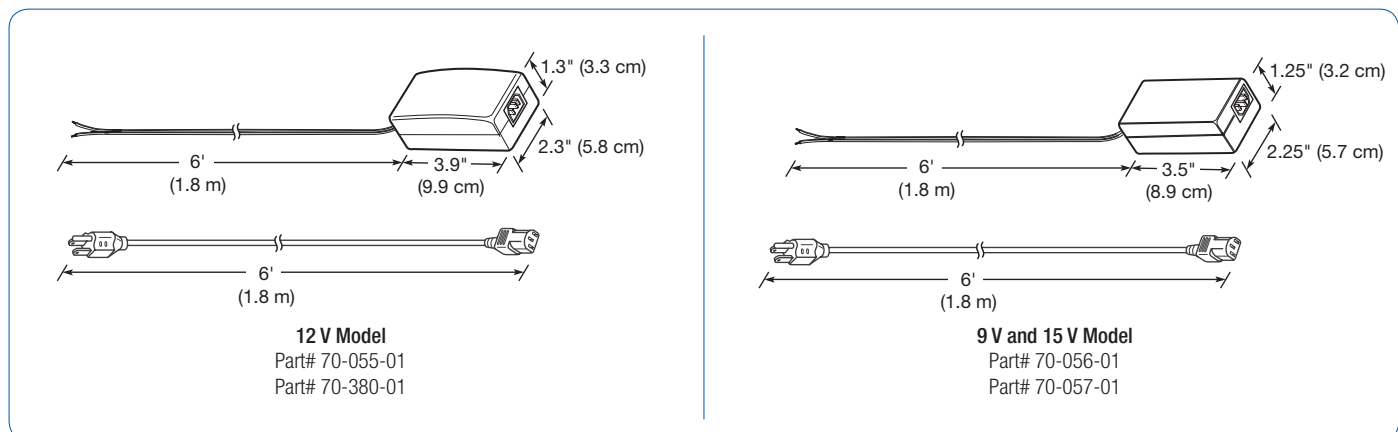
## PART #

### DC Bare Wire End Models

EPS 1210 B	100-240VAC, 50/60Hz, to 12VDC, 2A, wire .....	70-055-01
EPS 910 B	100-240VAC, 50/60Hz, to 9VDC, 2.4A, wire .....	70-056-01
EPS 1508 B	100-240VAC, 50/60Hz, to 15VDC, 1.6A, wire .....	70-057-01
EPS 1230 B	100-240VAC, 50/60Hz, to 12VDC, 3A, wire .....	70-380-01

### DC Plug Models

EPS 1210 P	100-240VAC, 50/60Hz, to 12VDC, 2A, plug .....	70-055-03
EPS 910 P	100-240VAC, 50/60Hz, to 9VDC, 2.4A, plug .....	70-056-03



\* Includes US style power cord