

Use, Care, and Installation Guide

Guide d'utilisation, d'entretien et d'installation

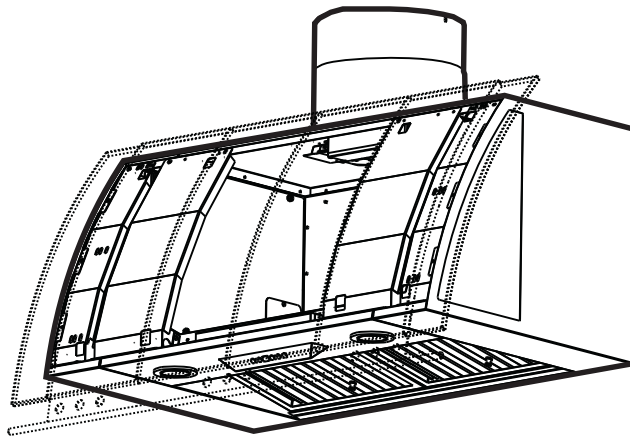
Guía de instalación, uso y mantenimiento

Padova

CPA - E42ASX

CPA - E48ASX

CPA - E54ASX



Model number:
Numéro de modèle: _____
Número de modelo: _____

Serial number:
Numéro de série: _____
Número de serie: _____

Date of Purchase:
Date d'achat: _____
Fecha de compra: _____

Sales Dealer:
Détaillant: _____
Distribuidor: _____

LI2ZRA - DEC06.0101

READ AND SAVE THESE INSTRUCTIONS
LISEZ CES INSTRUCTIONS ET CONSERVEZ-LES
LEA Y GUARDE ESTAS INSTRUCCIONES



English	page	2
French	page	28
Spanish	page	56

**APPROVED FOR RESIDENTIAL APPLIANCES
FOR RESIDENTIAL USE ONLY
READ AND SAVE THESE INSTRUCTIONS**

PLEASE READ ENTIRE INSTRUCTIONS BEFORE PROCEEDING.

INSTALLATION MUST COMPLY WITH ALL LOCAL CODES.

IMPORTANT: Save these Instructions for the Local Electrical Inspector's use.

INSTALLER: Please leave these Instructions with this unit for the owner.

OWNER: Please retain these instructions for future reference.

Safety Warning: Turn off power circuit at service panel and lock out panel, before wiring this appliance.

Requirement: 120 V AC, 60 Hz. 15 or 20 A Branch Circuit

- Important Safety Notice 5**
- Electrical & Installation Requirements 6**
 - Electrical requirements 6
 - Before installing the hood 6
- List of Materials 7**
 - Parts supplied 7
 - Parts not supplied 7
- Dimensions and Clearances 8**
- Ducting Options and Examples 9**
 - Venting methods 9
 - Preparation 9
- Installation - Ductwork Calculation Sheet 10**
- Installation - Preliminary Operations 11**
- Installation - Internal Blower 12-13**
 - Top discharge (Vertical discharge) 12
 - Rear discharge (Horizontal discharge) 12
 - Internal blower installation 13
- Installation - External Blower Preparation 14-15**
 - Vertical discharge 14
 - Horizontal discharge 14
 - External blower electrical connection-Preliminary operations 15
- Installation - Front Panel 16**
- Installation 17**
 - Installing the hood onto the wall 17

Table of Contents

Installation - Installing the Duct Covers	18
Installation - Hanging the Hood onto the Wall	19
Installation - Electrical Connection & Final Installation Steps	20
Electrical connection	20
Description of the Hood	21
Features & Controls - Touch Controls & Features	22
Description of control panel	22
Features & Controls - Baffle Filters Change Indicator	23
Maintenance	24-25
Cleaning	24
Baffle Filter	24
Replacing the halogen light bulb	24
Replacing the mood lighting bulb	25
Trouble Shooting	26
List of Parts and Accessories	27

READ AND SAVE THESE INSTRUCTIONS

www.zephyronline.com

Important Safety Notice

CAUTION

FOR GENERAL VENTILATING USE ONLY. **DO NOT** USE TO EXHAUST HAZARDOUS OR EXPLOSIVE MATERIALS OR VAPORS.

WARNING

TO REDUCE THE RISK OF FIRE, ELECTRIC SHOCK, OR INJURY TO PERSONS, OBSERVE THE FOLLOWING:

- A. Use this unit only in the manner intended by the manufacturer. If you have questions, contact the manufacturer.
- B. Before servicing or cleaning the unit, switch power off at service panel and lock service panel disconnecting means to prevent power from being switched on accidentally. When the service disconnecting means cannot be locked, securely fasten a prominent warning device, such as a tag, to the service panel.
- C. Installation Work and Electrical Wiring Must Be Done By Qualified Person(s) In Accordance With All Applicable Codes & Standards, Including Fire-rated Construction.
- D. Sufficient air is needed for proper combustion and exhausting of gases through the flue (Chimney) of fuel burning equipment to prevent back-drafting. Follow the heating equipment manufacturers guideline and safety standards such as those published by the National Fire Protection Association (NFPA), the American Society for Heating, Refrigeration and Air Conditioning Engineers (ASHRAE), and the local code authorities.
- E. When cutting or drilling into wall or ceiling, do not damage electrical wiring and other hidden utilities.
- F. Ducted systems must always be vented to the outdoors.

CAUTION

To reduce risk of fire and to properly exhaust air, be sure to duct air outside - do not vent exhaust air into spaces within walls, ceilings, attics, crawl spaces, or garages.

WARNING

TO REDUCE THE RISK OF FIRE, USE ONLY METAL DUCT WORK.

Install this hood in accordance with all requirements specified.

WARNING

To Reduce The Risk Of Fire Or Electric Shock, Do Not Use This Hood With Any External Solid State Speed Control Device.

WARNING

TO REDUCE THE RISK OF A RANGE TOP GREASE FIRE.

- a) Never leave surface units unattended at high settings. Boilovers cause smoking and greasy spillovers that may ignite. Heat oils slowly on low or medium settings.
- b) Always turn hood ON when cooking at high heat or when flambeing food (I.e. Crepes Suzette, Cherries Jubilee, Peppercorn Beef Flambe').
- c) Clean ventilating fans frequently. Grease should not be allowed to accumulate on fan or filter.
- d) Use proper pan size. Always use cookware appropriate for the size of the surface element.

WARNING

TO REDUCE THE RISK OF INJURY TO PERSONS, IN THE EVENT OF A RANGE TOP GREASE FIRE, OBSERVE THE FOLLOWING:

- a) **SMOTHER FLAMES** with a close-fitting lid, cookie sheet, or other metal tray, then turn off the gas burner or the electric element. **BE CAREFUL TO PREVENT BURNS.** If the flames do not go out immediately, **EVACUATE AND CALL THE FIRE DEPARTMENT.**
- b) **NEVER PICK UP A FLAMING PAN** - you may be burned.
- c) **DO NOT USE WATER**, including wet dishcloths or towels - a violent steam explosion will result.
- d) Use an extinguisher **ONLY** if:
 - 1) You know you have a class ABC extinguisher, and you already know how to operate it.
 - 2) The fire is small and contained in the area where it started.
 - 3) The fire department is being called.
 - 4) You can fight the fire with your back to an exit.

OPERATION

a. Always leave safety grills and filters in place. Without these components, operating blowers could catch onto hair, fingers and loose clothing.

The manufacturer declines all responsibility in the event of failure to observe the instructions given here for installation, maintenance and suitable use of the product. The manufacturer further declines all responsibility for injury due to negligence and the warranty of the unit automatically expires due to improper maintenance.

* NOTE: Please check our website for revisions before doing any custom work.

ELECTRICAL REQUIREMENTS

IMPORTANT

Observe all governing codes and ordinances.

It is the customer's responsibility:

To contact a qualified electrical installer.

To assure that the electrical installation is adequate and in conformance with National Electrical Code, ANSI/NFPA 70 — latest edition*, or CSA Standards C22.1-94, Canadian Electrical Code, Part 1 and C22.2 No.0-M91 - latest edition** and all local codes and ordinances.

If codes permit and a separate ground wire is used, it is recommended that a qualified electrician determine that the ground path is adequate.

Do not ground to a gas pipe.

Check with a qualified electrician if you are not sure range hood is properly grounded.

Do not have a fuse in the neutral or ground circuit.

IMPORTANT

Save Installation Instructions for electrical inspector's use.

The range hood must be connected with copper wire only.

The range hood should be connected directly to the fused disconnect (Or circuit breaker) box through metal electrical conduit.

Wire sizes must conform to the requirements of the National Electrical Code ANSI/NFPA 70 — latest edition*, or CSA Standards C22.1-94, Canadian Electrical Code Part 1 and C22.2 No. 0-M91 - latest edition** and all local codes and ordinances.

A U.L.- or C.S.A.-listed conduit connector must be provided at each end of the power supply conduit (At the range hood and at the junction box).

Copies of the standards listed may be obtained from:

* National Fire Protection Association Batterymarch Park Quincy, Massachusetts 02269

** CSA International 8501 East Pleasant Valley Road Cleveland, Ohio 44131-5575

BEFORE INSTALLING THE HOOD

1. For the most efficient air flow exhaust, use a straight run or as few elbows as possible.

CAUTION: Vent unit to outside of building, only.

2. At least 3 people are necessary for installation.

3. The hood is fitted with Screws and Drywall Anchors suitable for most surfaces, consult a Qualified Installer, check if they perfectly fit with your cabinet/wall.

4. Use flex ducting CulUS approved.

5. COLD WEATHER installations should have an additional backdraft damper installed to minimize backward cold air flow and a thermal break to minimize conduction of outside temperatures as part of the ductwork. The damper should be on the cold air side of the thermal break.

The break should be as close as possible to where the ducting enters the heated portion of the house.

6. Make up air: Local building codes may require the use of Make-Up Air Systems when using Ducted Ventilation Systems greater than specified CFM of air movement.

The specified CFM varies from locale to locale. Consult your HVAC professional for specific requirements in your area.

WARNING! Don't add to the hood weights of over 10 kg (20.4 Lbs.).

PARTS SUPPLIED

- Hood body, with stainless steel baffle filter and halogen light bulbs and incandescent lamp already installed
- Two telescopic duct covers and support bracket
- Hardware Packet:
 - 24x53 T1T2 "L" Male monkey spanner (1 piece)
 - 3.5X9.5 screws to fix the internal blower (4 pieces)
 - 3.5X9.5 screws to fix the duct cover (4 pieces)
 - 3.5X9.5 screws to fix the 8" collar plastic round transition duct cover (4 pieces)
 - 4x8 screws to fix the external blower wiring box (4 pieces)
 - M4 nut for the grounding screw to connect the grounding screw to the external blower (3 pieces)
 - toothed washer to connect the grounding screw to the external blower (3 pieces)
- Wall mounting brackets (1 piece)
- 8" Collar (1 piece)
- Plastic round transition with damper (1 piece)
- Cover round transition (1 piece)
- Rectangular transition air discharge + flange
- External blower wiring box with wires
- Template (1 piece)
- Use, Care and Installation Guide
- Warranty

PARTS NOT SUPPLIED

- Duct, conduit and all tools required for installation.
- **Internal blower**
To be used only in case of Internal blower installation.
- **External blower**
To be used only in case of External blower installation.
- Front panel.

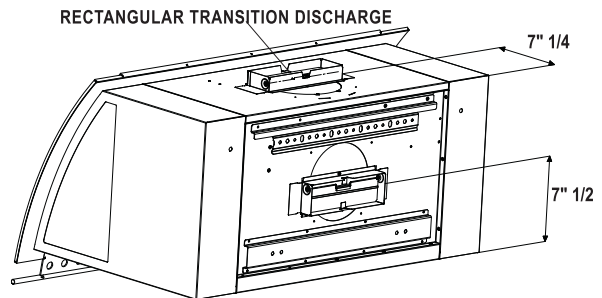
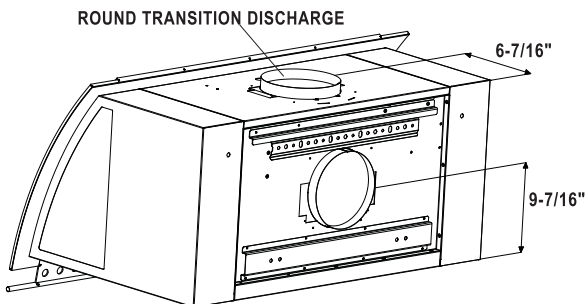
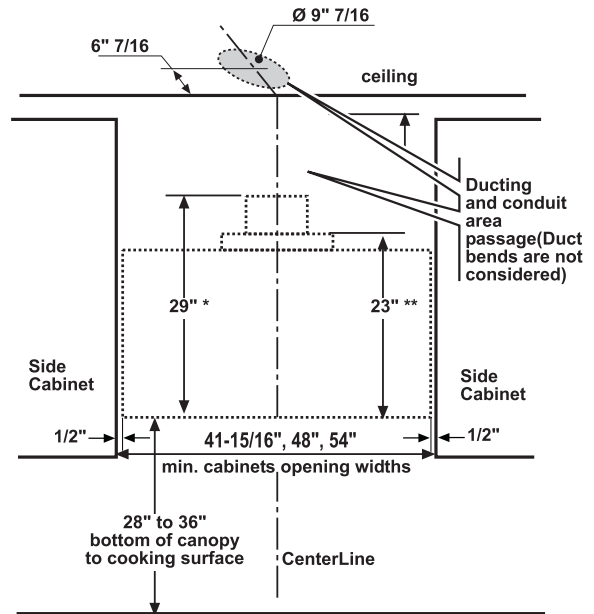
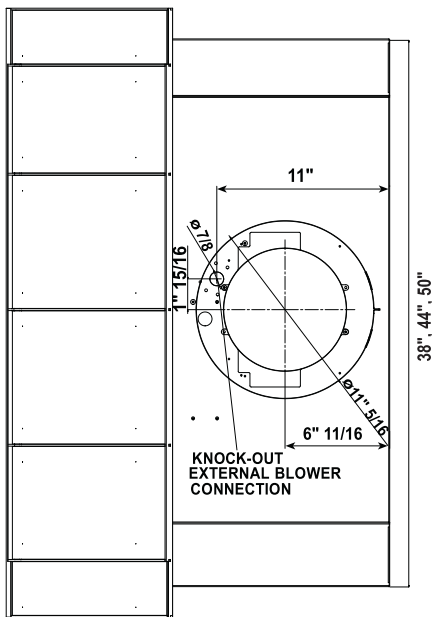
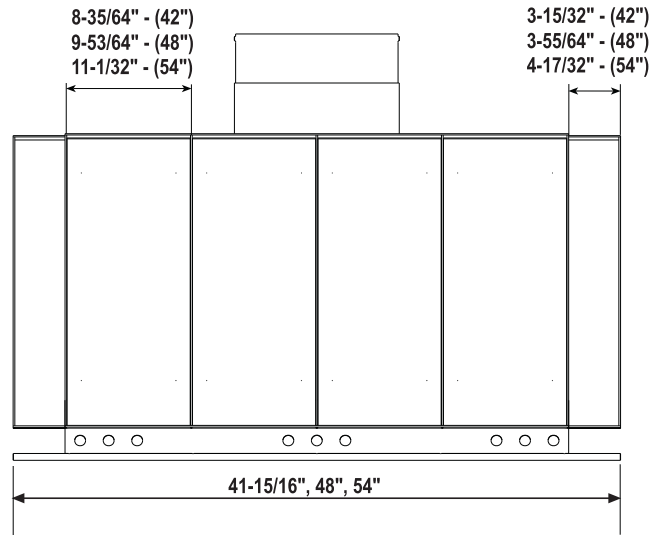
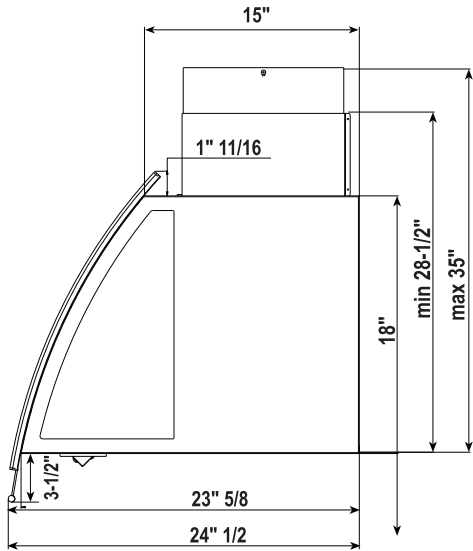
CAUTION

To reduce the risk of fire and electric shock, install this rangehood only with integral blowers mod. EBI-600B manufactured by ZEPHYR or with external blowers mod. CBE-1000, manufactured by ZEPHYR.
And with front panels mod. CPC-0012 (42" SS); mod. CPC-0112 (42" Brass); mod. CPC-0018 (48" SS); mod. CPC-0118 (48" Brass); mod. CPC-0015 (54" SS); mod. CPC-0115 (54" Brass).

WARNING

To Reduce The Risk Of Fire, Electric Shock, And Injury To Persons, this rangehood Must Be Installed With Front Panels That Are Marked (on their cartons) To Indicate The Suitability With This Model. Other Front Panels Cannot Be Substituted.

Dimensions and Clearances



Only for version with top discharge feature:

* Hood with external motor: Over this measurement a hole may be made on the rear section for the passage of the discharge pipe for connection to the external motor. Consult the template for the passage of pipes under this measurement.

** Hood with external motor: Above this measurement a hole may be made on the rear panel for the outward passage of the discharge pipe. Consult the template for the passage of pipes under this measurement.

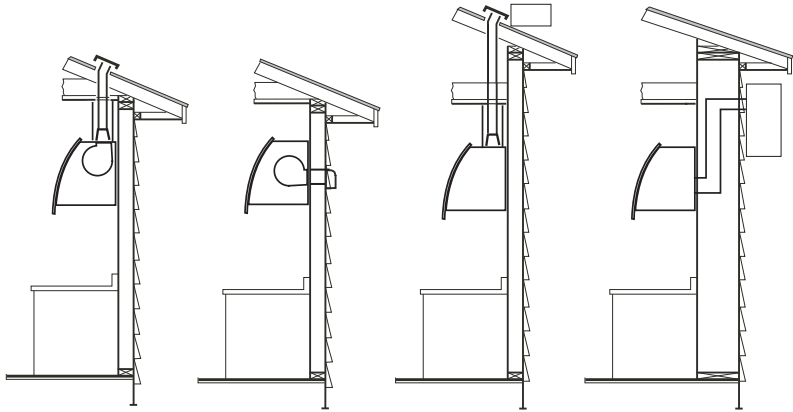
Closely follow the instructions set out in this manual.

All responsibility, for any eventual inconveniences, damages or fires caused by not complying with the instructions in this manual, is declined.

VENTING METHODS

This range hood is designed to exhaust fumes and vapours towards the outside and is ready to be fitted with an internal blower and for discharge towards the top side (Vertical discharge). This range hood can be set for an External Blower and /or to discharge towards the rear side (Horizontal discharge). Before installation choose type of motor an discharge direction. Consult paragraph "Dimensions and Clearances" and "Installation - Ductwork Calculation Sheet" for further informations.

Minimum Duct Size : 8" Round Pipe or 3 1/4 " x 10" Rect. Pipe (Rect. Pipe can be used for Internal blower installation only)



PREPARATION

Do not cut a joist or stud unless absolutely necessary. If a joist or stud must be cut, then a supporting frame must be constructed.

Fitting material is provided to secure the hood to most types of walls/ceilings. However, a qualified technician must verify suitability of the materials in accordance with the type of wall/ceiling.

Before making cutouts, make sure there is proper clearance within the ceiling or wall for exhaust vent.

Hood installation height above cooktop is the users preference. The lower the hood is above the cooktop, the more efficient the capturing of cooking odors, grease and smoke.

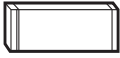
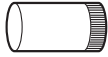

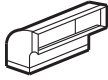
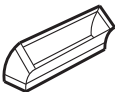



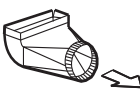


The hood shall be installed at 28" minimum above the countertop (Distance must be taken from the bottom side of the hanging rail of the front panel).




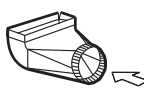





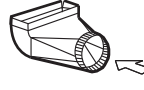
Check your ceiling height and the hood height maximum before you select your hood.

Refer to the following table for the weights:

DESCRIPTION	MODEL		
	42"	48"	54"
HOOD ONLY	98.5 lbs.	105 lbs.	112 lbs.
INTERNAL BLOWER	9.5 lbs.	9.5 lbs.	9.5 lbs.

Installation - Ductwork Calculation Sheet

Duct pieces		Equivalent number length x used =	Total
	3 1/4 " x 10" Rect., straight	1 Ft. x () =	Ft.
	6 " Round,, straight	1 Ft. x () =	Ft.
	7", 8" Round,, straight	1 Ft. x () =	Ft.
	3 1/4 " x 10" Rect.90° elbow	15 Ft. x () =	Ft.
	3 1/4 " x 10" Rect.45° elbow	9 Ft. x () =	Ft.
	3 1/4 " x 10" Rect.90° flat elbow	24 Ft. x () =	Ft.
	3 1/4 " x 10" Rect. wall cap with damper	30 Ft. x () =	Ft.
	3 1/4 " x 10" Rect.to 6 " round transition	5 Ft. x () =	Ft.
	3 1/4 " x 10" Rect.to 6 " round transition 90° elbow	15 Ft. x () =	Ft.
	6 " Round,, 90° elbow	15 Ft. x () =	Ft.
	6 " Round,, 45°elbow	9 Ft. x () =	Ft.
Subtotal column 1 =			

Duct pieces		Equivalent number length x used =	Total
	6" Round wall cap with damper	30 Ft. x () =	Ft.
	6" Round, roof cap	30 Ft. x () =	Ft.
	6" Round to 3 1/4 " x 10" rect. transition	1 Ft. x () =	Ft.
	6" Round to 3 1/4 " x 10" rect. transition 90° elbow	16 Ft. x () =	Ft.
	7", 8" round 90° elbow	15 Ft. x () =	Ft.
	7", 8" round 45° elbow	9 Ft. x () =	Ft.
	7", 8" Round wall cap with damper	30 Ft. x () =	Ft.
	7", 8" Round, roof cap	30 Ft. x () =	Ft.
	7" Round to 3 1/4 " x 10" rect. transition	8 Ft. x () =	Ft.
	6" Round to 3 1/4 " x 10" rect. transition 90° elbow	15 Ft. x () =	Ft.
		Subtotal column 2 =	
		Subtotal column 2 =	
		Total ductwork =	

Maximum Duct Length: For satisfactory air movement, the total duct length should not exceed 100 equivalent feet.

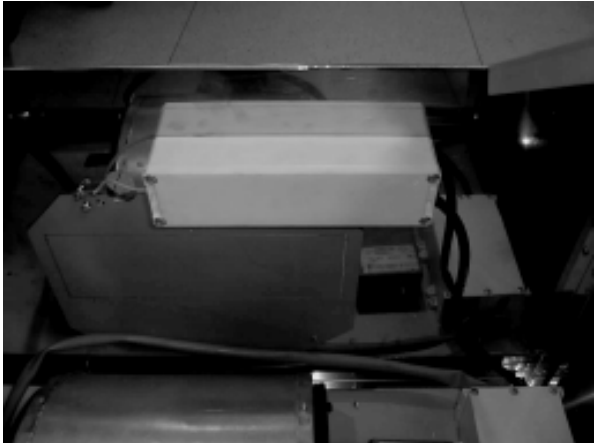
Note: Do not use smaller size duct than specified.

Attention! The installation requires several steps where is asked to temporarily remove some particulars and screws, We recommend to record and keep all of these components in a safe place ready to be used as required.

- Remove stainless mesh filters (See relative paragraph on Maintenance section of this manual).
- Release the 4 per side threaded knobs and remove the internal left-right side covers.



- Unscrew the 4 screws that fix the cover to the Junction box, to access mains connection area.



Installation - Internal Blower

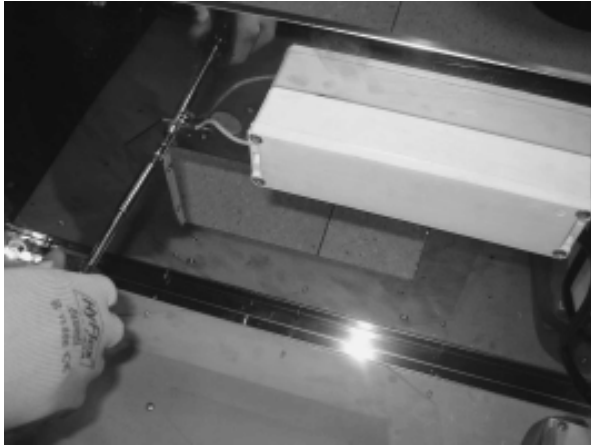
Note: for External blower installation disregard the instruction in this page and step ahead on page 14.

TOP DISCHARGE (Vertical discharge)

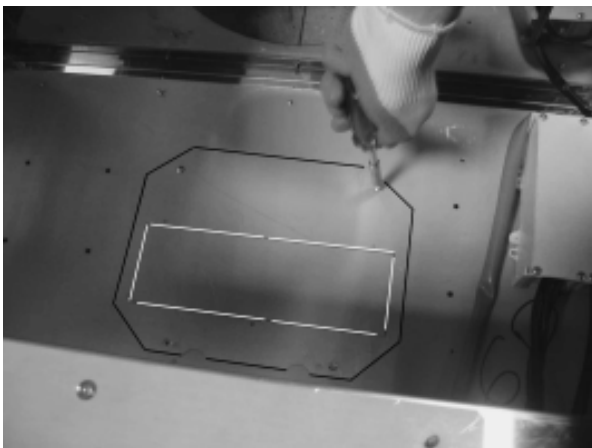
The hood is ready to be used for vertical discharge, proceed to install the internal blower (See next page).

REAR DISCHARGE (Horizontal discharge)

- Remove the internal blower support (Top side) unscrewing the 4 fixing screws.

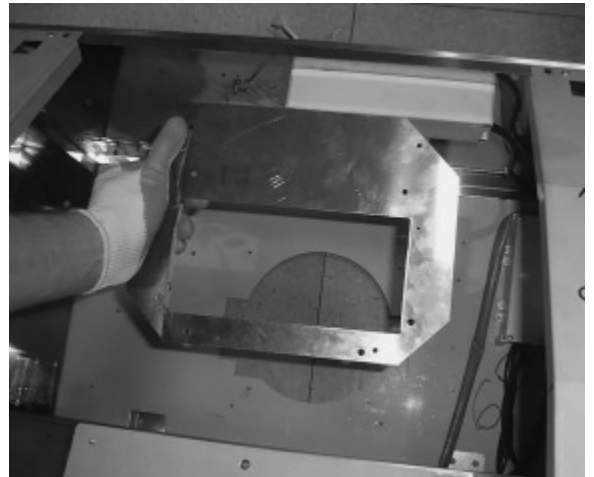


- From the inside of the hood, rear side remove cover/rectangular transition support from the range hood body unscrewing the 4 fixing screws.

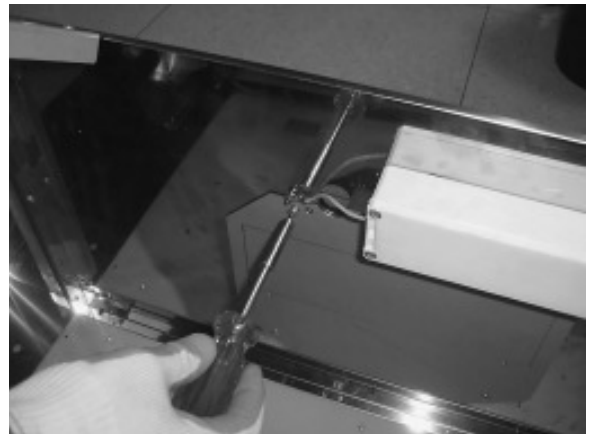


- Install the motor support to the body of the hood (Rear side) with 4 screws in place of the rear cover previously removed.

Note! Lip of motor support must be towards the inside of the hood in order for screw holes to line up.

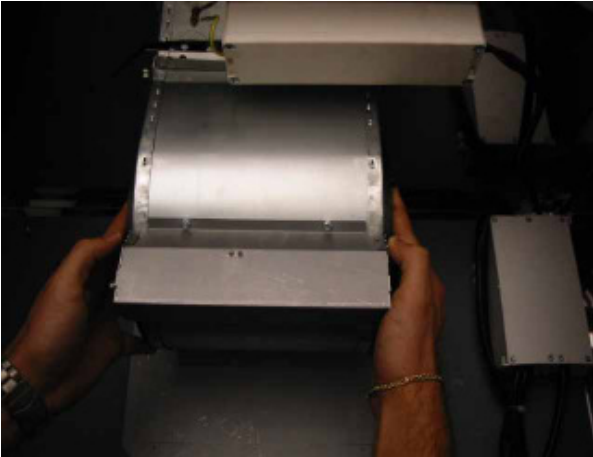


- Close, from the inside of the hood, the top hole with the cover/rectangular transition support and fix it to the body of the hood with 4 screws (Screws holes disposition is obliged!).



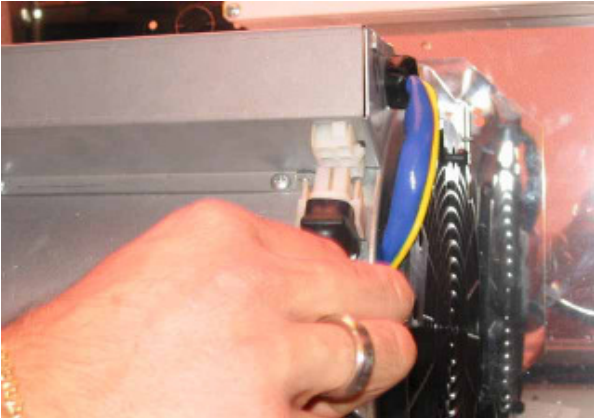
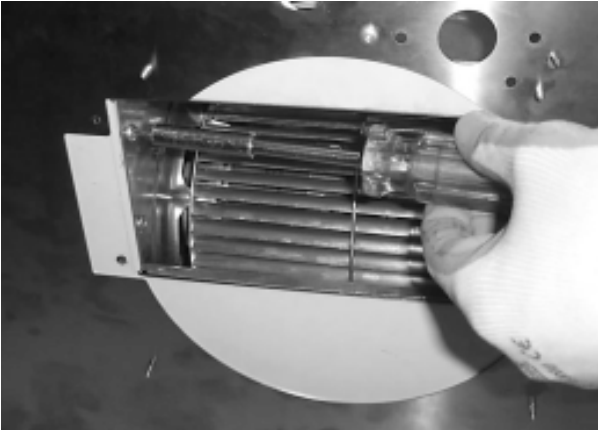
INTERNAL BLOWER INSTALLATION

- Fit the blower inside the hood.



- Install the blower to the support with 4 screws (Provided), check that the rectangular outlet of the blower matches with the rectangular slot of the support.
Note: The 4 fixing screws must be screwed in from the outside of the hood (See photo below).

- Connect the blower to the range hood.



Installation - Internal Blower

Installation - External Blower Preparation

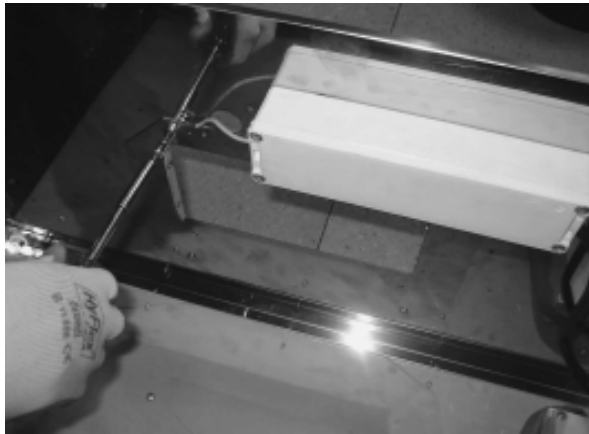
Note: for internal blower installation, disregard the instruction on this next page and consult the instruction on the previous pages (See pages 12-13).

Note 2: Refer to the CBE-1000 manual for instructions on mounting the external blower to a roof or exterior wall. The manual is available on our website and is included in the external blower packaging.

WARNING!

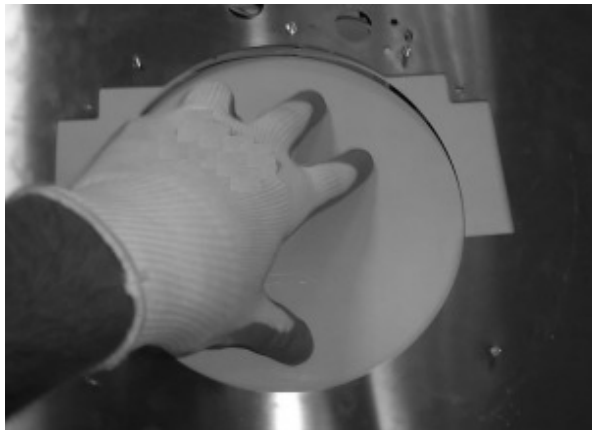
Do not use the rectangular transition for External blower installation, the use of this transition is, in this case, forbidden!

Use only a 8" Round Pipe! See Installation step 9 on page 17 for further informations.

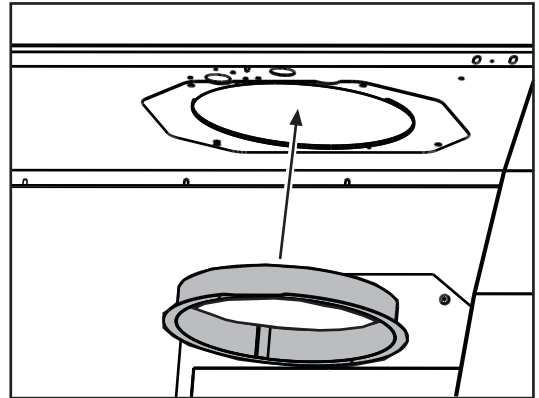


Vertical discharge

- Remove the cover/rectangular transition support plate from inside the hood on upper panel. Locate and remove 4 screws that attach it.
- Install the supplied round transition collar to the previously installed blower support plate. Align the screw holes and attach securely.

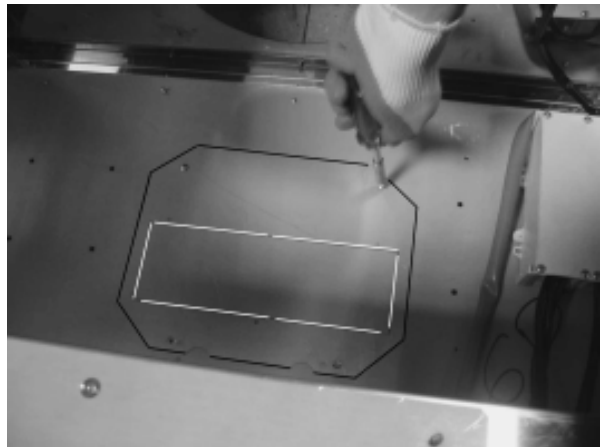


- Install the supplied round transition collar to the previously installed cover/round transition support plate from inside the hood. Align and attach with 2 screws securely.

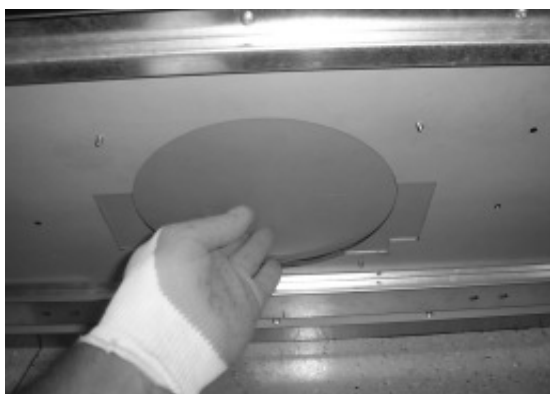


Horizontal discharge

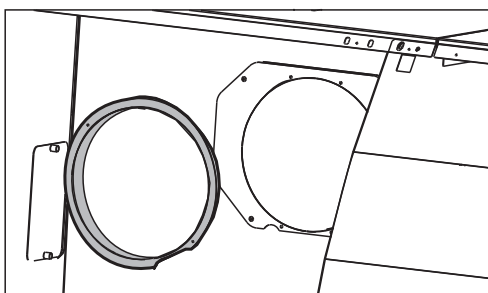
- From the inside of the hood, remove (rear side) the cover/rectangular transition support plate unscrewing the 4 screws that fix it to the body of the range hood.



- Remove the cover/rectangular transition support plate from inside the hood on back panel.
- Install the supplied cover/round transition support plate using the previously removed 4 screws to the same location of the removed internal blower support plate. Align the screw and attach securely.
- Remove the round knock out.



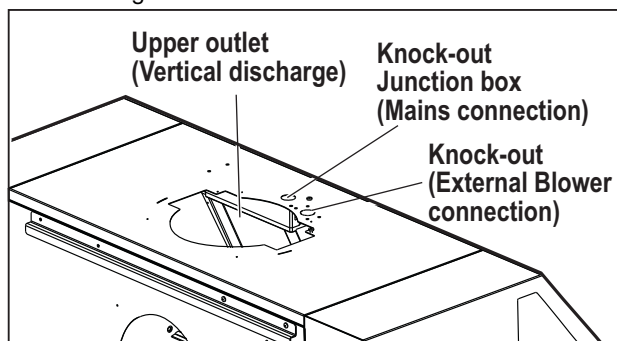
- Install the supplied round transition collar to the previously installed cover/round transition support plate. Align and attach with 2 screws securely.



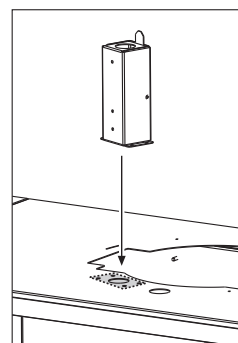
EXTERNAL BLOWER ELECTRICAL CONNECTION - PRELIMINARY OPERATIONS

Installing the external blower junction box

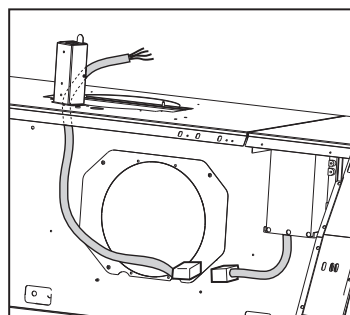
- Remove the electrical knock out on the upper panel. See diagram below.



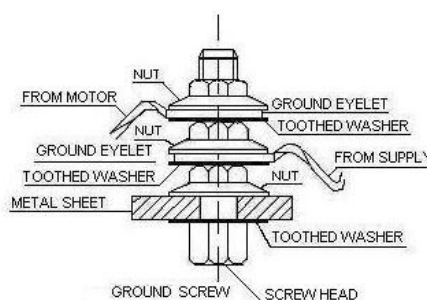
- Install the external blower junction box with 4 screws.



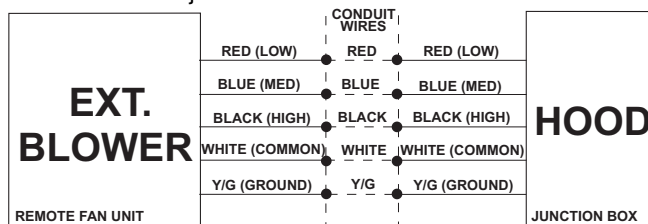
- Connect the supplied 9 pin male mox plug from the external blower wiring to the 9 pin female mox plug on the control board housing. Route wire end through hood and terminate in external blower junction box. See diagram below.



- Connect the eyelet terminal of the yellow/green conductor to the grounding screw located inside the hood.



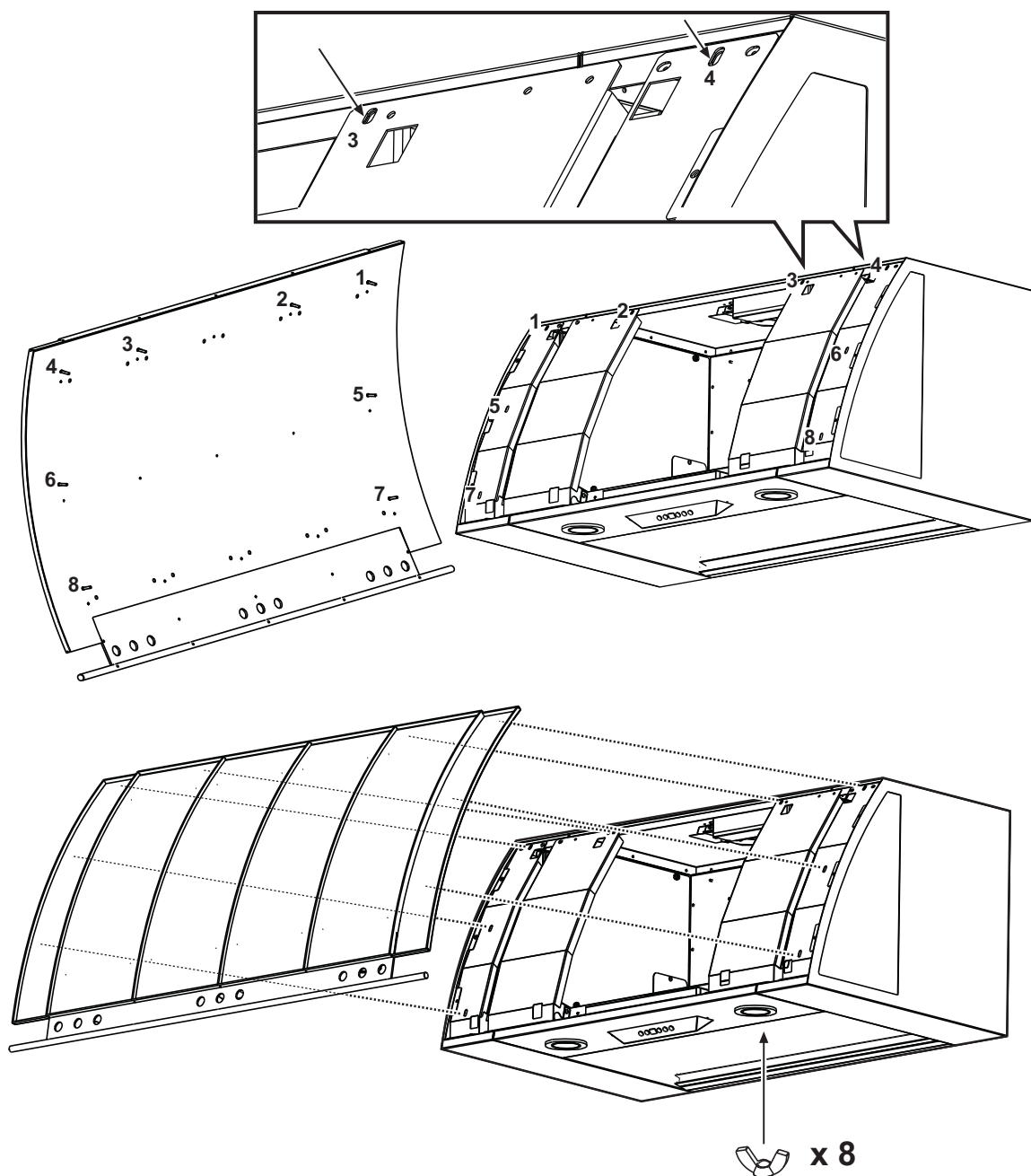
- Remove the cover of the junction box. Run electrical conduit to junction box and secure with listed conduit fitting. Carry out the electrical connections. Reinstall the junction box cover.



● = CONNECTION WIRE TO WIRE

Installation - Front Panel

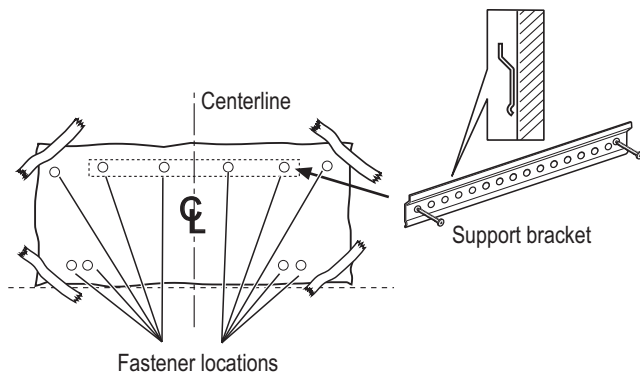
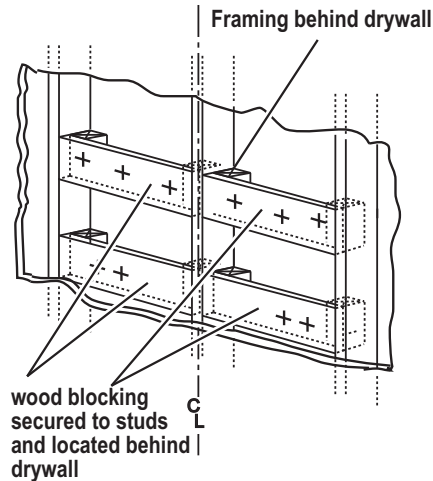
- To attach front panel to hood body, align the 8 threaded studs through the front bodies corresponding holes. Use 8 wing nuts to attach and secure. See diagrams below



NOTE: The front panel is not supplied with the range hood and must be purchased separately.

INSTALLING THE HOOD ONTO THE WALL

1. Disconnect and move freestanding or slide-in range from cabinet opening to provide easier access to rear wall. Use a thick, protective covering over countertop, cooktop or range to protect from damage and debris. Select a flat surface for assembling the unit. Cover that surface with a protective covering and place all canopy hood parts and hardware in it.
2. Mark the centerline on the wall/ceiling where the canopy hood will be installed.
Note: Draw the line on ceiling if it is intended to install the supplied Duct Covers.
3. Select a mounting height comfortable for the user and mark on wall (minimum 28").
4. Tape template, matching center-line and hood bottom as shown in Figure below.
5. Place the support bracket on the template to coincide with the outlined rectangle, mark center of all fastener location (Horizontal rear discharge requires additional marks for venting passage). Remove template.



6. Mark wall with horizontal line 1" above highest and 1" below lowest fastener location. Using a carpenter's level.
7. Find studs behind drywall by tapping wall or using a stud finder. Mark the center of the studs with a vertical line to the right and left of the marked fastener location.
8. **Note:** All fastener locations must attach to studs and/or blocking, otherwise proceed as follows: Cutout drywall along marked lines. Install wood blocking between studs and make sure it is flush with existing stud front. Make sure all mounting screws will anchor to added studs. Replace drywall and refinish.

9. Determine and make all necessary cuts in the wall for the vent system. Install the vent system before the canopy hood. See „Venting methods“ and „Dimensions and clearance“ paragraphs.

IMPORTANT - for External blower installation

ONLY: Run 10" round duct work from the external blower to the ceiling. Before the duct work passes through the ceiling bracket, use a 10" to 8" transition adapter (included with external blower) and run 8" duct work to the opening on the hood. The 8" duct work run should not exceed 60" in length.

10. Determine the required height for the conduit and cut a 1-1/4" (3.2 cm) hole at this location. Run wires through hole according the National Electrical Code or CSA Standards and local codes and ordinances.

Note: External blower installation requires and additional hole/conduit.

There must be enough power supply cable from the fused disconnect (Or circuit breaker) box to make the connection in the hood's Junction box/es.

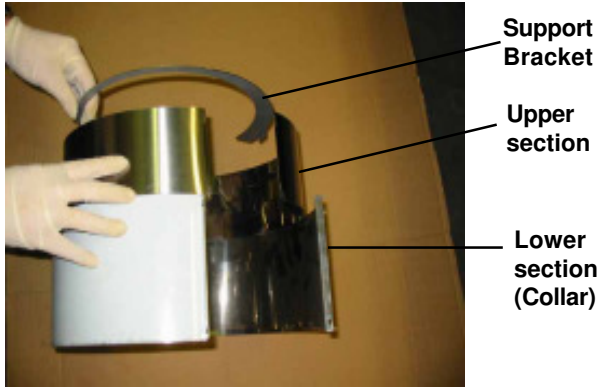
Use caulking to seal all openings.

Do Not turn on power until installation is completed.

11. Remark center line and hood bottom on same location as before and tape template on wall as in step 4 above.
12. Mount the lower support bracket with wood screws and washers (Supplied in mounting hardware kit) on locations marked on template, then remove template.

Installation - Installing the Duct Covers

13. Optional duct cover installation:



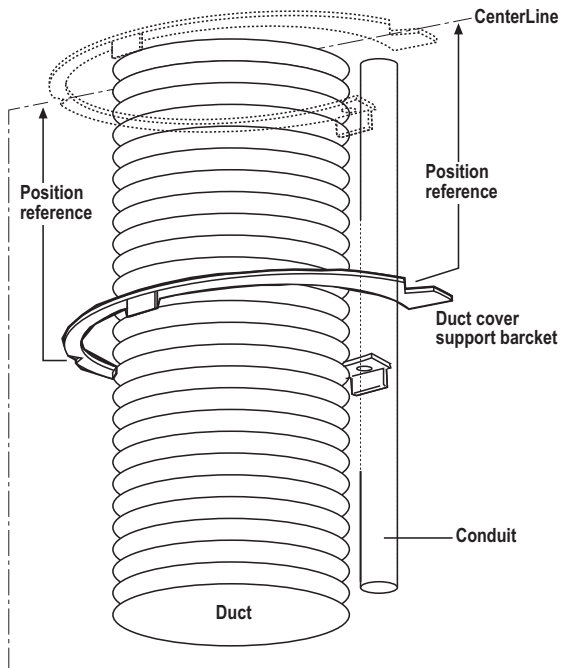
Unscrew the 4 screws that fix the section of the Duct Cover (Starting collar) and release all parts. Install the upper section to the support bracket with 2 screws.

Note: Check that joined seam is positioned towards the back.

Note2: The lower section (Collar) of the duct cover assembly must be installed at the end of the installation with 2 screws.

- a. Remove the support bracket from the Duct Cover assembly and attach it to the ceiling with 2 drywall anchors and screws

Note: The printed index on the bracket must match the center line previously drawn (See installation step 2).



14. For internal blower installation ONLY:

a. Horizontal (Rear) discharge:

Install from the outside the 3 1/4" x 10" Rect. transition on the outlet hole of the blower with 3 screws.

b. Vertical (Upper) discharge:

Install from the outside the 8" plastic round transition, with 4 screws. Install transition so that little position adjustment are allowed.

Note: Seal with duct tape only when transition is firmly attached to the range hood.

Do not use duct smaller than the transition, (see installation step 9) for further instruction about duct to be used.

WARNING

Excessive Weight Hazard - Use three or more people to move and install range hood. Failure to do so can result in back or other injury.

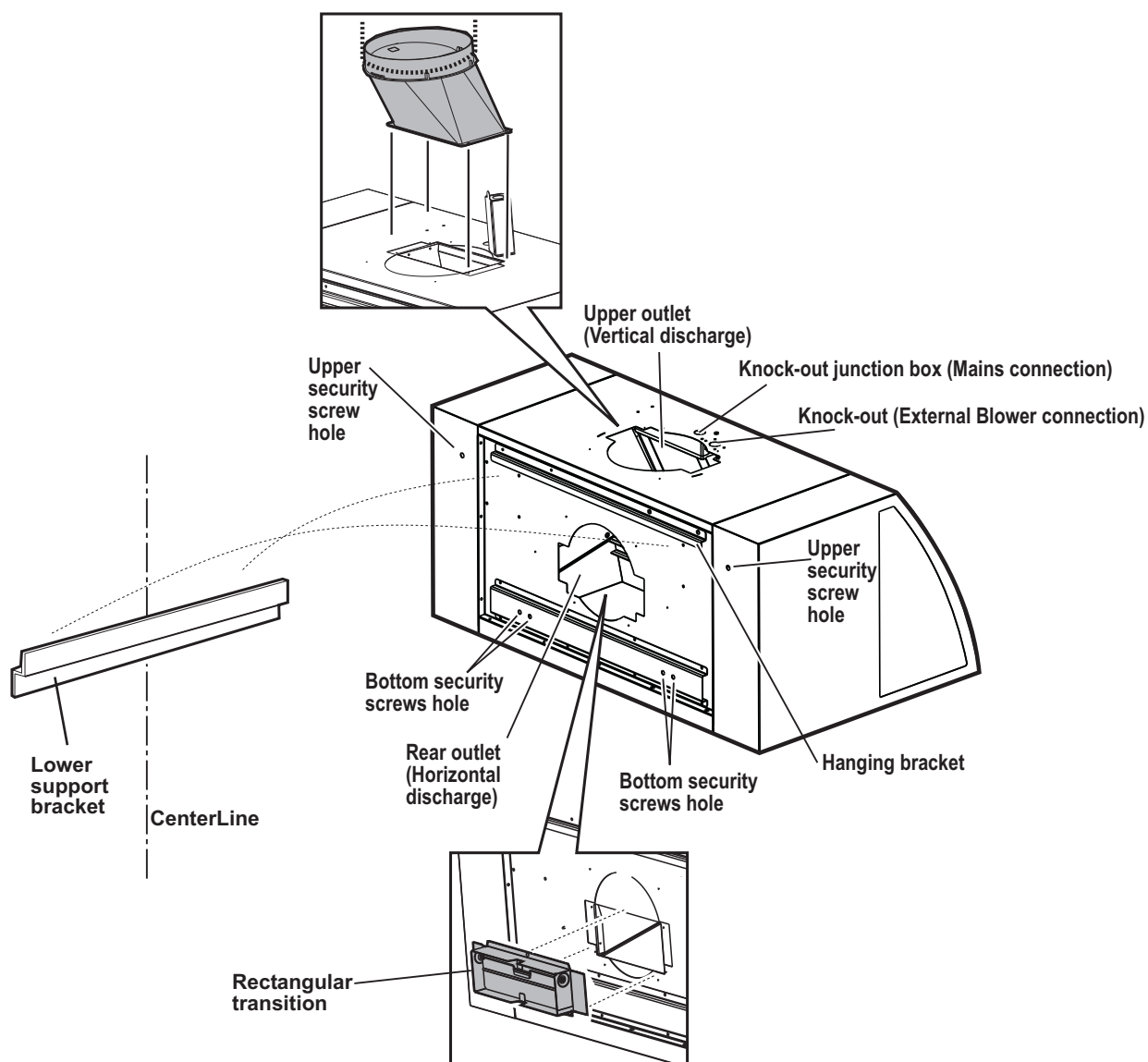
16. Secure hood with screws and washers.

17. Connect the ducting to the transition. Seal with duct tape.

Note: If Duct has been already fixed to transition (See installation step 15b), install the transition to the hood with 4 screws.

Do not use duct smaller than the transition, see installation step 9 for further instruction about duct to be used.

15. Hang hood on lower bracket.



18. Electrical connection

WARNING

Electrical Shock Hazard

Warning: Turn off power circuit at the service panel before wiring this unit.

120 VAC, 15 or 20 Amp circuit required.

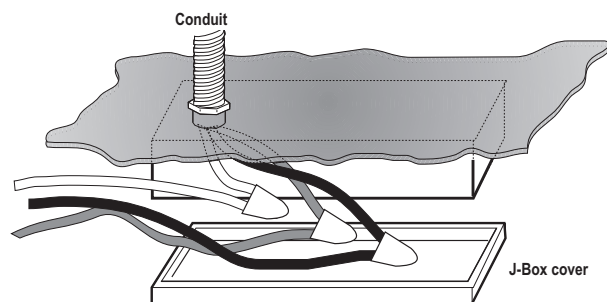
ELECTRICAL GROUNDING INSTRUCTIONS

THIS APPLIANCE IS FITTED WITH AN ELECTRICAL JUNCTION BOX WITH 3 WIRES, ONE OF WHICH (GREEN/YELLOW) SERVES TO GROUND THE APPLIANCE. TO PROTECT YOU AGAINST ELECTRIC SHOCK, THE GREEN AND YELLOW WIRE MUST BE CONNECTED TO THE GROUNDING WIRE IN YOUR HOME ELECTRICAL SYSTEM, AND IT MUST UNDER NO CIRCUMSTANCES BE CUT OR REMOVED.

Failure to do so can result in death or electrical shock.

Install the conduit connector (cULus listed) in junction box.

Run 3 wires; black, white and green, according to the National Electrical Code and local codes and ordinances, in 1/2" conduit from service panel to junction box.



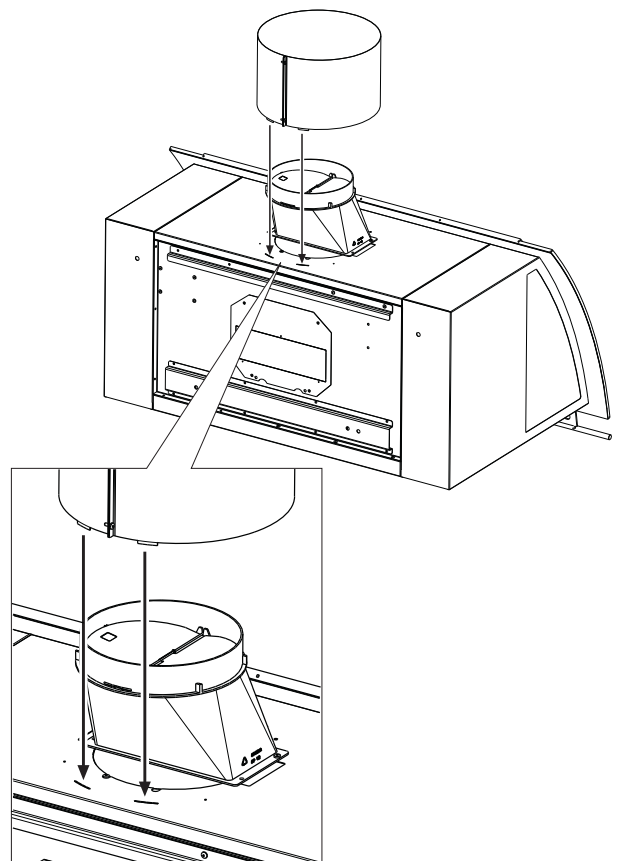
Connect black wire from service panel to black or red in junction box, white to white and green to green-yellow.

Close and secure junction box cover.

19. Note: disregard this step if the hood has been fitted with an internal blower.

Purchase and install an External blower (See paragraph „Before installing the hood - Parts not supplied“ for model reference).

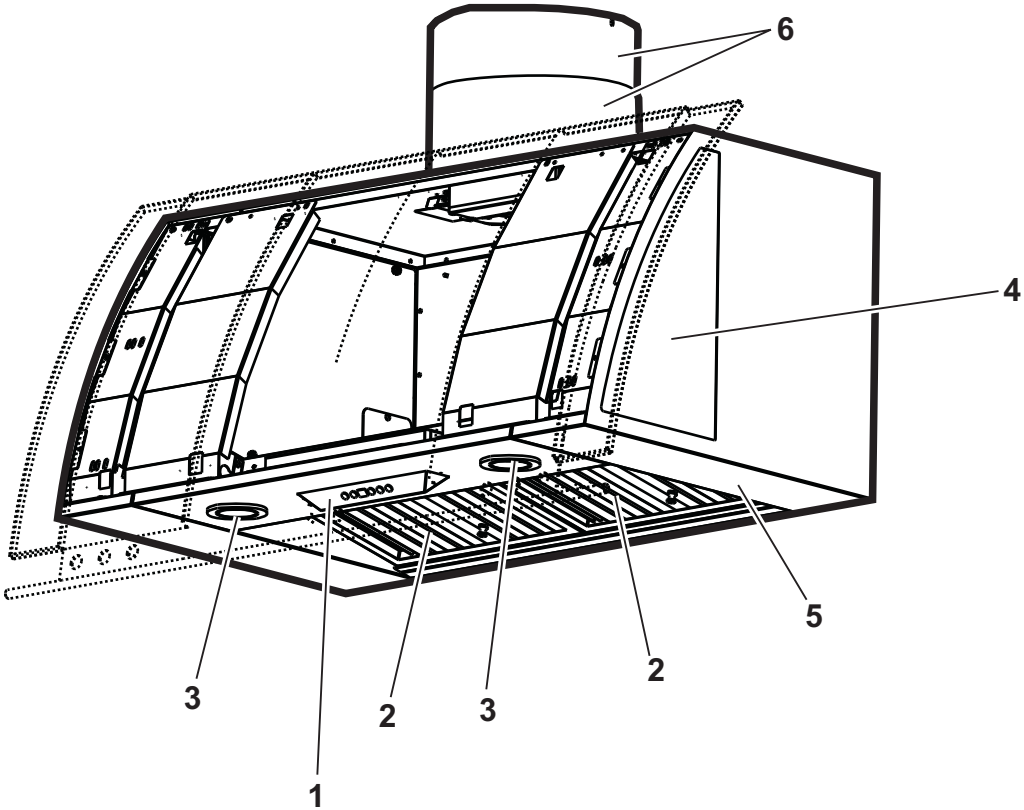
20. Check all light bulbs to make sure they are secure in their sockets.
21. Install the internal left-right side covers (See chapter "Installation-preliminary operations")
22. Install filters.
23. Install the lower section of the Duct Cover (Starting Collar) with 2 screws and slide it towards the top of the hood.
Turn power (On) in service panel.
Check lights and blower operation.



If range hood does not operate:

- Check that the circuit breaker is not tripped or the house fuse blown.
- Disconnect power supply. Check that wiring is correct.

- 1 Controls
- 2 Baffle filter
- 3 Halogen lamp
- 4 Incandescent ambient lamp
- 5 Hood body
- 6 Duct cover

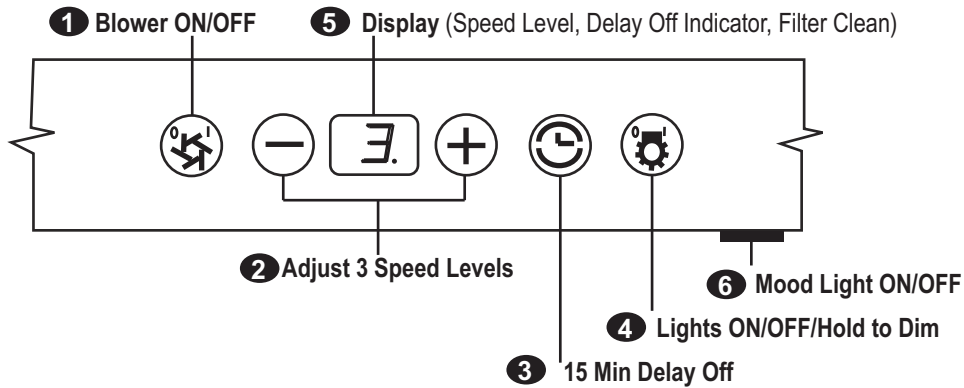


Description of the Hood


Use the high suction speed in cases of concentrated kitchen vapors. It is recommended that the cooker hood suction is switched on for 5 minutes prior to cooking and to leave in operation during cooking and for another 15 minutes after terminating cooking.

Note: Hood retains last speed setting when aspiration switch is turned off.

Description of control panel:




1. Blower On/Off

By pressing , the blower is switched On and Off.



2. Speed Selection

The 3 speed levels are selected by pressing  to decrease and  to increase speed level. The display indicates level selected.

3. Delay Off

This is used for programmed shut down of blower and lights 15 minutes after the function is activated. Press once, a dot flashes in the lower right hand side of display  indicating the function is on. The hood will completely shut down in 15 minutes.

4. Lights On/Off/Dim


Switch lights On and Off by pressing  once. To dim lights, press and hold it in  for 2 seconds.

5. Advance Display Functions


6. Mood Light On/Off

This switch turns the mood lights On and Off. Press IN to turn on, press again to turn OFF. Filters Clean Reminder (Metal):

Filter Clean Reminder (Standard Baffle Filters fitted):




A set of baffle filters are fitted by the factory. These Baffle Filters are intended to filter out residue from cooking. They need not be replaced on a regular basis but are required to be kept clean. The **Filter Clean Reminder** function in the microprocessor will automatically indicate by a  flashing when the metal filters need to be cleaned after every 30 hrs. of use. Filters can be cleaned by hand with non-abrasive soap or in a dishwasher.

Filter Clean Reminder:

When  flashes on display, the baffle filters installed are required to be cleaned. This will occur after every 30 hours of use.

Re-setting Function:

Reset the Filter Clean Reminder timer when filters are cleaned and re-installed (with hood off).

Press and hold  for approx. 5 seconds, the display will appear; hold for approximately 5 seconds until  on display disappears . The Filter Clean Reminder function is now re-set and a new 30 hours elapse cycle is initiated.

Clean Filters

display <A> flashes



To Reset

hold 5 secs.



display from <A> to < >



ATTENTION!

Prior to any maintenance operation ensure that the cooker hood is disconnected from the power supply.

CLEANING

The cooker hood should be cleaned regularly internally and externally. Use a cloth moistened with a neutral liquid detergents. Avoid abrasive detergents.

Warning:

Failure to carry out the basic cleaning recommendations of the cooker hood and replacement of the filters may cause fire risks.

Therefore, we recommend observing these instructions.

BAFFLE FILTER

This must be cleaned once a month using non abrasive detergents, either by hand or in the dish-washer, which must be set to a low temperature and a short cycle.

When washed in a dish-washer, the baffle filter may discolor slightly, but this does not affect its filtering capacity.

To remove the baffle filter, pull (a) the handle and extract the filters (b).

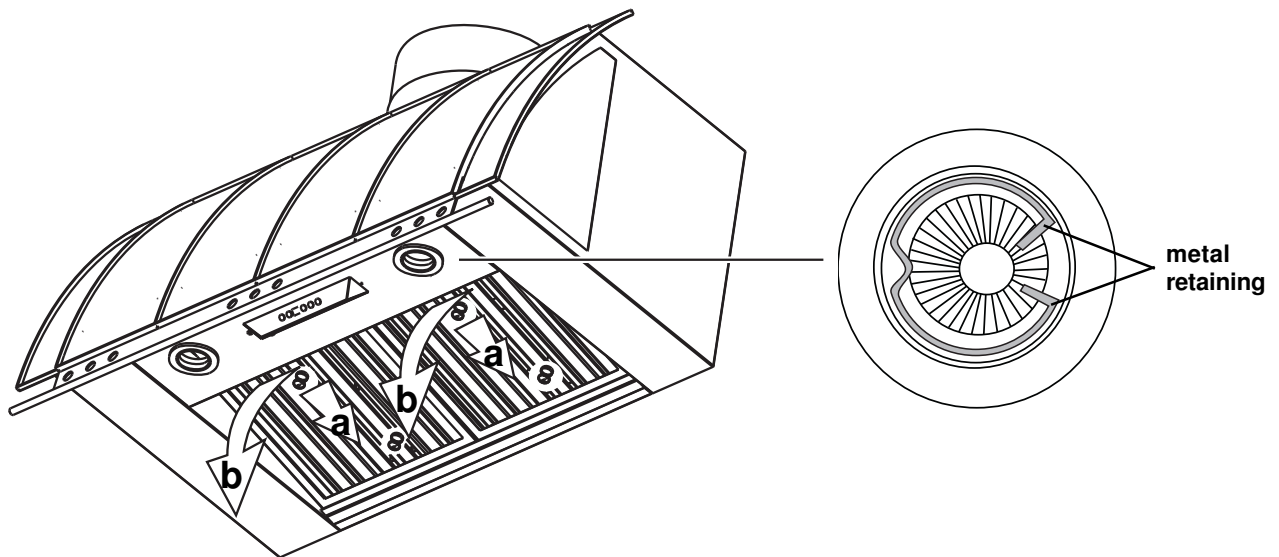
REPLACING THE HALOGEN LIGHT BULB:

WARNING

Disconnect the hood from electricity and be sure the lights are cool.

If new lights do not operate, make sure the light bulb is inserted correctly before calling service.

- Remove bulb by pressing both ends of the metal retaining clip together, the light socket will now protrude from the hood **allowing you to remove the bulb.**
(Be careful when releasing retain clip as it is under pressure to hold it in place)
- Replacement halogen bulbs are available at most stores which sell light bulbs. Purchase type GU-10, 120V, 50W. Follow package directions.
- Reinstall the metal retaining.

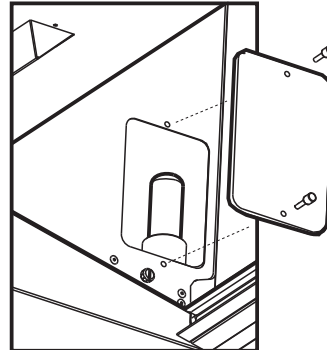


REPLACING THE MOOD LIGHTING BULB:

To replace mood lighting bulb, remove baffle filter from hood.

To access lamp area, remove the two threaded knobs that fix the cover.

Unscrew mood lighting bulb counter-clockwise and replace with a standard max. 40W, type T10, 125V-130V medium base bulb.



Trouble Shooting

Issue	Cause	What to do
After installation, the unit doesn't work?	1. The power source is not turned ON.	1. Make sure the circuit breaker and the unit's power is ON.
	2. The power line and the cable locking connector is not connecting properly.	2. Check the power connection with the unit is connected properly.
	3. The switch board and control board wirings are disconnected.	3. Make sure the wirings between the switch board and control board are connected properly.
	4. The switch board or control board is defective.	4. Change the switch board or control board.
Light works, but motor is not turning.	1. The motor is defective, possible seized.	1. Change the motor.
	2. The thermally protected system detects if the motor is too hot to operate and shuts the motor down.	2. The motor will function properly after the thermally protected system cool down.
	3. Damaged condenser.	3. Change the condenser.
The unit is vibrating.	1. The motor is not secure in place.	1. Tighten the motor in place.
	2. Damaged blower wheel.	2. Change the blower wheel.
	3. The hood is not secured in place.	3. Check the installation of the hood.
The motor is working, but the lights are not.	1. Defective halogen bulb.	1. Change the halogen bulb.
	2. The light bulb is loose.	2. Tighten the light bulb.
The hood is not venting out properly.	1. The hood might be hanging to high from the cook top.	1. Adjust the distance between the cook top and the bottom of the hood within 24" and 32" range.
	2. The wind from the opened windows or opened doors in the surrounding area are affecting the ventilation of the hood.	2. Close all the windows and doors to eliminate the outside wind flow.
	3. Blocking in the duct opening or ductwork.	3. Remove all the blockage from the duct work or duct opening.
	4. The direction of duct opening is against the wind.	4. Adjust the duct opening direction.
	5. Using the wrong size of ducting.	5. Change the ducting to at least 8" or higher.
Metal filter is vibrating.	1. Metal filter is loose.	1. Change the metal filter.

Part Description	Part#
Halogen Bulb, 120V 50 W	Z0B0020S
Filter Baffle	50210002

Part Description	Part#
Internal Blower 600 CFM	EBI-600B
External Blower 1000 CFM	CBE-1000
Front Panel 42" SS	CPC-0012
Front Panel 42" Brass	CPC-0112
Front Panel 48" SS	CPC-0018
Front Panel 48" Brass	CPC-0118
Front Panel 54" SS	CPC-0015
Front Panel 54" Brass	CPC-0115
Doluflex 6pc. Blank, 42"	CDO-0042
Doluflex 6pc. Blank, 48"	CDO-0048
Doluflex 6pc. Blank, 54"	CDO-0054
Veneer, 6pc. Copper, 42"	CDO-0142
Veneer, 6pc. Copper, 48"	CDO-0148
Veneer, 6pc. Copper, 54"	CDO-0154
Veneer, 6pc. Stainless, 42"	CDO-0242
Veneer, 6pc. Stainless, 48"	CDO-0248
Veneer, 6pc. Stainless, 54"	CDO-0254