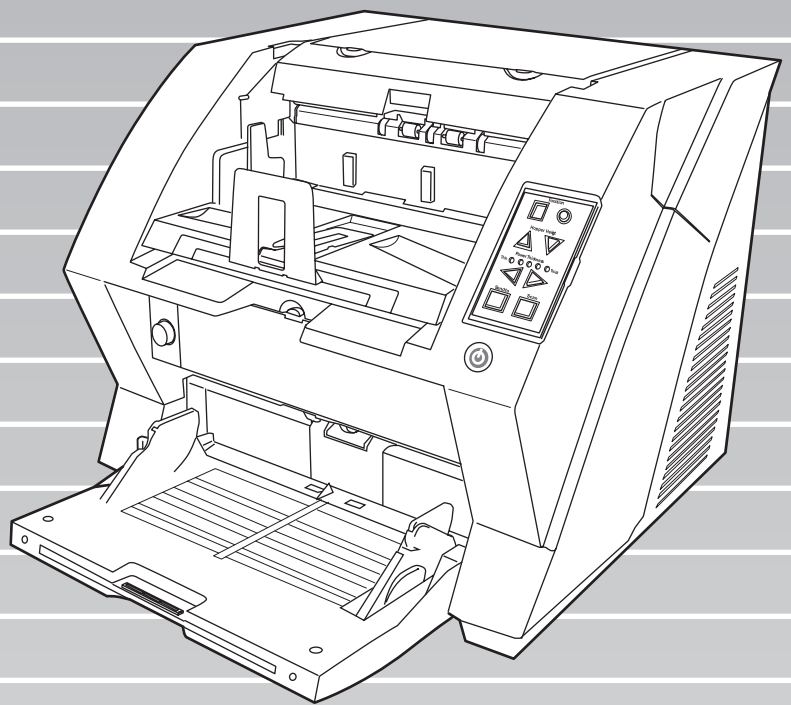




P3PC-1422-03EN

# ***fi-5900C Image Scanner***

## ***Getting Started***





# CONTENTS

---

■ Regulatory Information .....	ii
■ Note, Liability .....	iii
■ Safety Precautions .....	v
<b>Chapter1 PREPARING THE SCANNER.....</b>	<b>1</b>
1.1 Checking the Contents of the Scanner Package.....	1
1.2 Names of Parts .....	1
1.3 Operator panel.....	2
<b>Chapter2 INSTALLATION OF THE SCANNER.....</b>	<b>4</b>
2.1 Installing the Scanner .....	4
2.2 Connecting the Scanner to Your PC.....	4
2.3 Installing the Scanner Application .....	6
<b>Appendix 1 TROUBLESHOOTING.....</b>	<b>AP-1</b>
<b>Appendix 2 DAILY CARE .....</b>	<b>AP-4</b>
<b>Appendix 3 REPLACING CONSUMABLES.....</b>	<b>AP-5</b>

# INTRODUCTION

Thank you for purchasing the fi-5900C Duplex Color Scanner.

This document describes how to use fi-5900C and basic operation methods. Before you start using fi-5900C be sure to thoroughly read this manual to ensure correct use.

The "Operator's Guide" stored on the Setup CD-ROM provides useful and detailed information on Operations when you would like to use advanced features, Daily Care for maintenance of the scanner, and Replacing Consumables to maintain conditions for smooth scanning. Please also read the Operator's Guide for further information.

## ■ Regulatory Information

### FCC declaration

This equipment has been tested and found to comply with the limits for a Class B digital device, pursuant to Part 15 of the FCC Rules. These limits are designed to provide reasonable protection against harmful interference in a residential installation. This equipment generates, uses, and can radiate radio frequency energy and, if not installed and used in accordance with the instruction manual, may cause harmful interference to radio communications. However, there is no guarantee that interference will not occur in a particular installation. If this equipment does cause harmful interference to radio or television reception, which can be determined by turning the equipment off and on, the user is encouraged to try to correct the interference by one or more of the following measures:

- Reorient or relocate the receiving antenna.
- Increase the separation between the equipment and receiver.
- Connect the equipment into an outlet on a circuit different from that to which the receiver is located.
- Consult your dealer or an experienced radio/TV technician.

**FCC warning:** Changes or modifications not expressly approved by the party responsible for compliance could void the user's authority to operate the equipment.

### NOTICE

- The use of a shielded interface cable is required to comply with the Class B limits of Part 15 of FCC rules. The length of the SCSI interface cable must be 1.5 meters (5 feet) or less..
- The length of the AC cable must be 3 meters (10 feet) or less.

## Canadian DOC Regulations

This digital apparatus does not exceed the Class B limit for radio noise emissions from digital apparatus set out in the Radio interference Regulations of the Canadian Department of Communications.

This Class B digital apparatus complies with Canadian ICES-003.

Le présent appareil numérique n'émet pas de parasites radioélectriques dépassant les limites applicables aux appareils numériques de la classe B et prescrites dans le Règlement sur le brouillage radioélectrique dictées par le Ministère des Communications du Canada.

Cet appareil numérique de la classe B est conforme à la norme NMB-003 du Canada.

## Bescheinigung des Herstellers / Importeurs

Für den fi-5900C wird folgendes bescheinigt:

- In Übereinstimmung mit den Bestimmungen der EN45014(CE) funkentstört
- Maschinenlärminformationsverordnung 3.GPSGV: Der höchste Schalldruckpegel beträgt 70 dB (A) oder weniger, gemäß EN ISO 7779.

## International ENERGY STAR® Program

As an ENERGY STAR® Partner, PFU LIMITED has determined that this product meets the ENERGY STAR® guidelines for energy efficiency.

The International ENERGY STAR® Office

Equipment Program is an international program that promotes energy saving through the penetration of energy efficient computers and other office equipment. The program backs the development and dissemination of products with functions that effectively reduce energy



consumption. It is an open system in which business proprietors can participate voluntarily. The targeted products are office equipment such as computers, monitors, printers, facsimiles, copiers, scanners, and multifunction devices. Their standards and logos are uniform among participating nations.

## ■ Note, Liability

READ ALL OF THIS MANUAL CAREFULLY BEFORE USING THIS PRODUCT. IF THIS PRODUCT IS NOT USED CORRECTLY, UNEXPECTED INJURY MAY BE CAUSED TO USERS OR BYSTANDERS.

Also, keep this manual in a safe place so that it can be easily referred to during use of this product.

While all efforts have been made to ensure the accuracy of all information in this manual, PFU assumes no liability to any party for any damage caused by errors or omissions or by statements of any kind in this manual, its updates or supplements, whether such errors are omissions or statements resulting from negligence, accidents, or any other cause. PFU further assumes no liability arising from the application or use of any product or system described herein; nor any liability for incidental or consequential damages arising from the use of this manual. PFU disclaims all warranties regarding the information contained herein, whether expressed, implied, or statutory.

## Use in High-safety Applications

This product has been designed and manufactured on the assumption that it will be used in office, personal, domestic, regular industrial, and general-purpose applications. It has not been designed and manufactured for use in applications (simply called "high-safety applications" from here on) that directly involve danger to life and health when a high degree of safety is required, for example, in the control of nuclear reactions at nuclear power facilities, automatic flight control of aircraft, air traffic control, operation control in mass-transport systems, medical equipment for sustaining life, and missile firing control in weapons systems, and when provisionally the safety in question is not ensured. The user should use this product with adopting measures for ensuring safety in such high-safety applications. PFU LIMITED assumes no liability whatsoever for damages arising from use of this product by the user in high-safety applications, and for any claims or compensation for damages by the user or a third party.

## About the use of mercury



Lamp(s) inside this product contain mercury and must be recycled or disposed of according to local, state, or federal laws.

To avoid unexpected injuries;

- Do not put the substance contained in the lamp in your mouth as it has mercury.
- Do not breathe the chemical liquid contained in the scanner lamps.
- Do not incinerate, crush, or shred the lamps or scanner parts.

## Trademarks

Microsoft, Windows, and Windows NT are registered trademarks of Microsoft Corporation in the United States and/or other countries. ISIS and QuickScan are trademarks or registered trademarks of EMC Corporation in the United States.

Adobe, the Adobe logo, and Acrobat are either registered trademarks of Adobe Systems Incorporated in the United States and/or other countries.

Other product names are the trademarks or registered trademarks of the respective companies.

## How Trademarks Are Indicated In This Manual

References to operating systems (OS) are indicated as follows:

Windows 95	Microsoft® Windows® 95 operating system
Windows 98/98SE	Microsoft® Windows® 98 /98 Second Edition operating system.
Windows Me	Microsoft® Windows® Millennium Edition operating system.
Windows NT 4.0	Microsoft® Windows NT® 4.0 Server operating system, Microsoft® Windows NT® 4.0 Workstation operating system.
Windows 2000	Microsoft® Windows® 2000 Professional operating system.
Windows XP	Microsoft® Windows® XP Professional operating system, Microsoft® Windows® XP Home Edition operating system.

Where there is no distinction between the different versions of the above operating system, the general term "Windows " is used.

Adobe Acrobat Adobe® Acrobat®

All the descriptions in this manual assume the usage of Adobe Acrobat bundled with this product. However, Adobe Acrobat may be upgraded without notice. If the descriptions differ from the screens actually displayed, refer to the Acrobat's "Help".

## Manufacturer

PFU LIMITED

International Sales Dept., Imaging Business  
Division, Products Group  
Solid Square East Tower, 580 Horikawa-cho,  
Saiwai-ku, Kawasaki-shi Kanagawa 212-8563,  
Japan  
Phone : (81-44) 540-4538

All Rights Reserved, Copyright© PFU LIMITED 2006

## About Maintenance

The user must not perform repairs on this scanner. Contact the store where you purchased the scanner or an authorized FUJITSU Image Scanner service provider to make repairs to this product.

## Warning Indications Used In This Manual



This indication alerts operators to an operation that, if not strictly observed, may result in severe injury or death.



This indication alerts operators to an operation that, if not strictly observed, may result in safety hazards to personnel or damage to equipment.

## Symbols Used In This Manual



This symbol alerts operators to particularly important information. Be sure to read this information.



This symbol alerts operators to helpful advice regarding operation.



A TRIANGLE symbol indicates that special care and attention is required.

The drawing inside the triangle shows the specific caution.



A CIRCLE with a diagonal line inside shows action which users may not perform.

The drawing inside or under the circle shows the specific action that is not allowed.



Outline characters on a colored background show instructions users should follow.

It may also include the drawing that shows the specific instruction.

## Warning Label



The glass surface inside the ADF becomes hot during the operation. Be careful not to touch the glass surface inside the ADF.



Do NOT remove, stain or scratch the warning labels from the scanner.



## Screen Examples In This Manual

The screen examples in this manual are subject to change without notice in the interest of product improvement. If the actual displayed screen differs from the screen examples in this manual, operate by following the actual displayed screen while referring to the User's Manual of the scanner application you are using.

The screenshots in this manual were captured from FUJITSU TWAIN32 scanner driver, ScandAll 21 Image Capturing Utility Software, FUJITSU ISIS scanner driver, QuickScan Pro™ image capturing software and Adobe® Acrobat®.

# ■ Safety Precautions



## Do not damage the AC cable.



A damaged AC cable may cause fire or electric shock. Do not place heavy objects on AC cables, or pull, bend, twist, heat, damage or modify AC cables. Do not use damaged AC cables or power plugs, or install any cables or power plugs to loose wall sockets.

## Use only specified AC cables and connector cables



Use only specified AC cables and connector cables. Failure to use the correct cables might cause electric shock and/or equipment failure. Please don't use the AC cable provided with this scanner for other devices, since this might cause equipment failure and other troubles or an electric shock.

## Use this scanner only at the indicated power voltage. Do not connect to multiple-power strips.



Use this scanner only at the indicated power voltage and current. Improper power voltage and current might cause fire or electric shock. Do not connect to multiple-power strips.

## Do not touch the AC cable with wet hands.



Do not touch the power plug with wet hands. Doing so might cause electric shock.

## Wipe any dust from the power plug.



Wipe off any dust from metal parts on the power plug or metal fittings with a soft, dry cloth. Accumulated dust might cause fire or electric shock.

## Do not install the device in locations that has oil smoke, steam, humidity, and dust.



Do not install the scanner in locations subject to oil smoke, steam, humidity, and dust. Doing so might cause a fire or electric shock.

## Turn the scanner OFF if it is damaged.



If the scanner is damaged for any reason, turn off the scanner and unplug the AD cable before contacting the store you purchased the scanner.

## Do not put liquids inside the scanner.



Do not insert or drop metal objects in to the scanner. Do not scan wet documents or documents with paper clips or staples. Do not splash or allow the scanner to get wet.



If foreign objects (water, small metal objects, liquids, etc.) get inside the scanner, immediately turn off the scanner and disconnect the power plug from the power outlet, then contact the store where you bought the scanner or the Maintenance Service Center. Pay particular attention to this warning in households where there are small children.



## Do not touch the inside of the scanner unless necessary.



Do not take apart or modify the scanner. The inside of the scanner contains high-voltage components. Touching these components might cause fire or electric shock.

## Do not use the scanner if there is a strange odor.



If you detect excessive heat coming from the device or detect other problems such as smoke, strange smells or noises, disconnect immediately the power plug in order to turn out the scanner. Make sure that any smoke coming from it has stopped, before contacting the store where you bought the scanner or an authorized FUJITSU scanner service provider.



### Do not install the scanner on unstable surfaces.



Make sure that the scanner is installed on a flat, level surface and that none of its parts extend beyond the surface top, such as a desk or table. Do not install the scanner on unstable surfaces. Install the scanner on a level surface that is free of vibration to prevent it from falling.



Install the scanner on a strong surface that will support the weight of the scanner and other devices.

### Do not block the ventilation ports.



Do not block the ventilation ports. Blocking the ventilation ports generates heat inside of scanner, which may result in fire or scanner failure.

### Do not place heavy objects or stand on top of the scanner.



Do not place heavy objects on the scanner or use the scanner's surface top to perform other work. Improper installation might cause injuries and equipment failure.

### Firmly insert the power plug.



Firmly insert the power plug as far it can go into the power outlet.

### Avoid any contact when scanner is in use.



Avoid touching any scanner mechanism during scanning since this may cause injuries.

### Do not use the scanner immediately after moving it from a cold place into a warm room.



Do not use the device immediately after moving it from a cold place into a warm room. This may cause condensation, which might lead to scanning errors. Let the device dry about one or two hours before you use it.

### Before moving the scanner, disconnect the power plug from the power outlet.



Do not move the scanner with the power and interface cables connected as this might damage the cables, causing fire, electric shock or injuries. Before moving the scanner, be sure to disconnect the power plug from the power outlet, and all other data cables. Make sure that the floor is free of any obstruction.

### Protect the scanner from static electricity.



Install the scanner away from strong magnetic fields and other sources of electronic noise. Also, protect the scanner from any static electricity as this might cause the scanner to malfunction.

### Do not use aerosol sprays near the scanner.



Do not use aerosol sprays to clean the scanner. Aerosol sprays cause dirt and dust to enter the scanner, resulting scanner failure and malfunction.

### Disconnect the power plug from the power outlet when the scanner is not used for a long period of time.



When the scanner is not going to be used for a long period of time, be sure to disconnect the power plug from the power outlet for safety.

### Do not install the scanner in the direct sunlight.



Do not install the scanner under direct sunlight or near heating apparatus. Doing so might cause excessive heat to build up inside the scanner, which can cause scanner trouble or even fire. Install the scanner in a well-ventilated location.

### Do not carry the scanner alone.



When transporting the scanner, never carry it alone. The scanner is heavy.



# Chapter1 PREPARING THE SCANNER

## 1.1 Checking the Contents of the Scanner Package

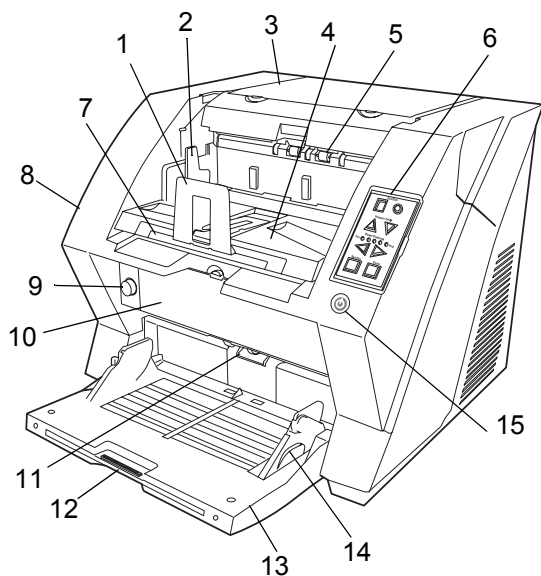
When you unpack the scanner package, make sure that the package contains all the parts on the list included in the package.

If any parts are missing or defective, contact your scanner dealer or an authorized FUJITSU scanner service provider. Handle the scanner and accessories with care.

## 1.2 Names of Parts

This section describes the names of parts.

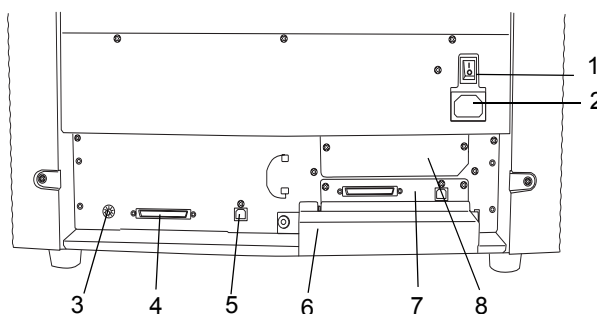
### ■ Front side



No.	Name	Function
1	Stopper	Prevents ejected documents from dropping off the scanner.
2	Stacker side guide	For aligning ejected documents to a certain width.
3	Top cover	Cover to access the consumables storage box and Post Imprinter option (sold separately).
4	Stacker	Area where ejected paper collects after scanning.
5	Ejector	For ejecting the documents after scanning.
6	Operator panel	For operating the scanner.
7	Stacker extension	For scanning long documents. Pull the extension out according to the document's length.
8	ADF cover	Opens the cover for cleaning the inner parts of the ADF or for replacing consumables.

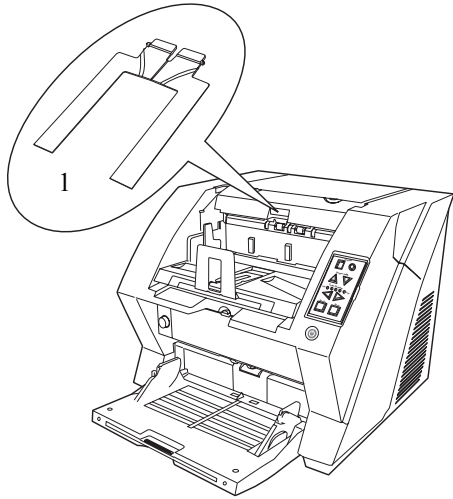
No.	Name	Function
9	ADF cover open button	Button used to open the ADF
10	Pre-imprinter cover	For the Pre-Imprinter option
11	ADF (Automatic document feeder)	The documents loaded onto the Hopper will be fed sheet by sheet for scanning.
12	Hopper extension	Pulls the Hopper extension out for loading long documents.
13	Hopper	Documents to be scanned are loaded onto the Hopper.
14	Hopper side guides	Sheet Guides used to make sure that the paper to be scanned is fed into the scanner straight, avoiding skew.
15	Power button	Switches the scanner ON&OFF.

### ■ Rear side

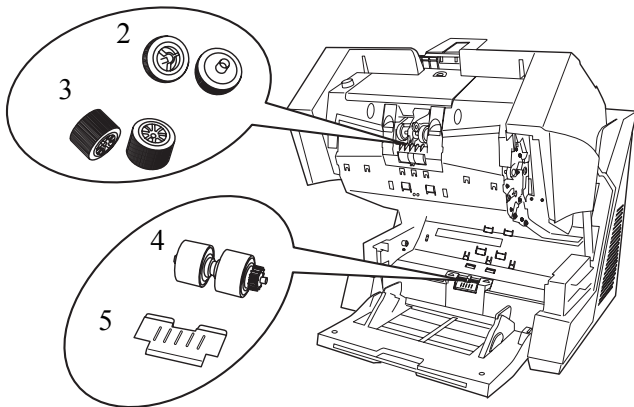


No.	Name	Function
1	Main power switch	For switching the power support ON/OFF.
2	Power inlet	For connecting the AC cable.
3	SCSI ID Switch	Sets the scanner's SCSI ID with this switch.
4	SCSI connector	For connecting the SCSI cable.
5	USB connector	For connecting the USB cable.
6	Extended memory slot	For connecting an extension memory (sold separately).
7	VRS slot	The VRS board has been installed
8	Extended slot	A spare slot for an option board

## ■ Removable Parts



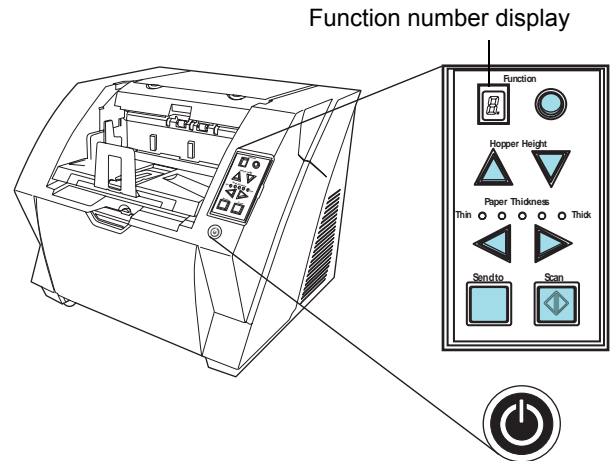
No.	Name	Description
1	Document smoother	Attached when the stacker position is set to align the ejected document by the leading edge, or when scanning documents with different widths.



No.	Name	Description
2	Pick rollers	Rollers that pick the paper from the hopper into the ADF. This is a consumable item.
3	Separator rollers	Rollers used to help separate the paper as the feeding begins. This is a consumable item.
4	Brake roller	Roller used to help separate the paper as the feeding begins. This is a consumable item.
5	Pad	Separation Pad used to help separate the paper as the feeding begins. This is a consumable item.

## 1.3 Operator panel

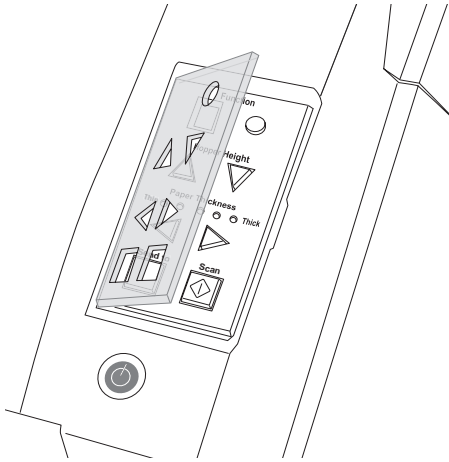
The operator panel is located on the right side of the scanner. The panel consists of a Function Number Display, buttons and a LED.



Name	Function
Function	Shows the status of the scanner. For details, refer to "Indications on the Function Number Display" (page 3).
Hopper Height	Use these buttons to adjust the height of the Hopper to the Upper/Middle/Lower Positions. The hopper moves automatically to the right position after giving a scanning command. However, this may cause a delay before the actual scanning starts. To avoid unnecessary waiting time, it is recommended to set the hopper height prior to scanning. The approximate loading capacities are as follows (* these numbers differ depending on the document thickness) Upper: 100 sheets Middle: 300 sheets Lower: 500 sheets
Paper Thickness	Use these buttons to adjust the paper thickness for the papers to be scanned. When picking errors or paper jams occur: Press the ◀ (Thin) button. When multifeed occurs: Press the ▶ (Thick) button. (Normally no need to change from the default setting)
Send to	Use this button to start linked applications (*About the settings, refer to the "fi-5900C Operator's Guide" on the Setup CD-ROM).
Scan	
Power	Use this button to turn the power ON/OFF. When the power is turned on, the button is illuminated in blue.



Operator Panel Overlays are available in French, German, Italian, Spanish, Chinese, Russian and Korean. To change the overlay, open the plastic cover.



## ■ Indications on the Function Number Display

The following shows the indications on the Function Number Display.

No.	Descriptions
	Lights only one time upon turning on the scanner.
	Indicates that the scanner has been turned ON and is being initialized.
	Indicates that initialization has been completed successfully. This status is called "Ready Status".
	Indicates that a temporary error (that users can solve) has occurred during the initialization or scanning of documents. "U" and an error number (1, 2, 4, 6, 8) are displayed alternately. To return the scanner to the ready status ("1"), press the "Scan" or "Send to" button while the error is indicated.
	Indicates that a device alarm (that users can not solve) has occurred during the initialization or scanning of documents. "E" and an alarm number (0, 2 to 9, and A, c, d, F, 10 to 12, 15 to 19, 1A) are indicated alternately. To return the scanner to the ready status ("1"), press "Scan" or "Send to" button. If this alarm occurs, turn the power off and then on again. If the alarm is indicated after turning on the power again, contact your service engineer.

## 2.1 Installing the Scanner

1. Place the scanner at its installation site.

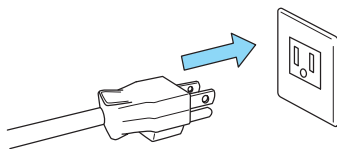
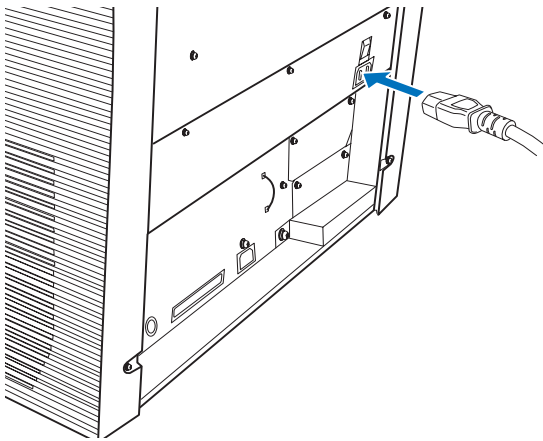
For details on the scanner's dimensions and required installation space, refer to the fi-5900C Operator's Guide, chapter "10. Scanner Specifications".



- The scanner weight is 50 kg (110 lb). Make sure two persons are available when moving the scanner.
- When carrying the scanner, only grip the bottom side.



2. Connect the AC cable to the Power inlet of the scanner and plug it into an outlet.



Use only the power cable provided by the manufacturer.



The Function Number Display and the LED may flash for an instant when plugging the AC cable into the outlet. This is not a malfunction.



## 2.2 Connecting the Scanner to Your PC

When running Windows 95 or Windows NT 4.0, connect the scanner using the SCSI interface.

When running Windows 98, Windows Me, Windows 2000, or Windows XP, connect either using the USB or SCSI interface.

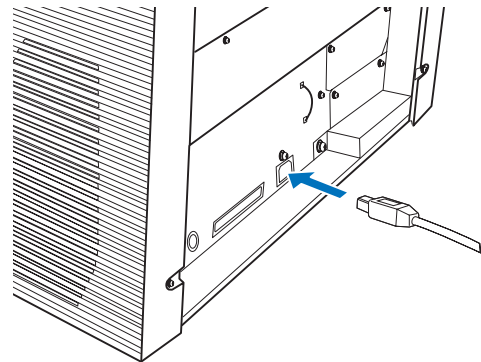


This scanner is provided with two interfaces: Ultra SCSI and USB 2.0 /1.1. Connect only one of the USB or SCSI cable. Windows 95 and Windows NT 4.0 do not support USB interface.



### ■ Connecting the USB Interface

1. Connect the USB cable to the USB connector.



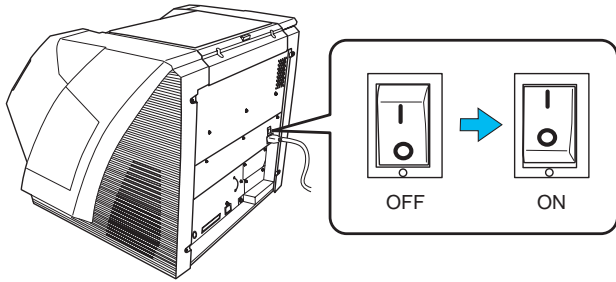
2. Connect the other end of the USB cable to your PC.



- Be sure to use the USB cable which comes with this scanner. Correct operation with commercially available cables is not guaranteed.
- When connecting to a USB hub, use the first stage USB hub that is closest to the computer. If you use the second or later hub stages, the scanner may not operate correctly.
- If you connect the scanner with USB 2.0, it is required that the USB port and Hub are compliant with USB 2.0. The scanning speed may slow down if it is connected with USB 1.1.



- Press the "I" side of the main power switch to turn on the scanner.



## ■ Connecting the SCSI interface

When using the scanner with a SCSI interface, the following SCSI cable and SCSI card must be purchased.

- SCSI cable:**  
Use a SCSI cable whose connector on the scanner side is the 68-pin high-density shielded-type and whose connector on the PC side fits the connector of the SCSI card to use.  
It is recommended to use a cable of length 1.5m or shorter.
- SCSI card**  
Find the recommended SCSI card information on the Fujitsu web site (FAQ).

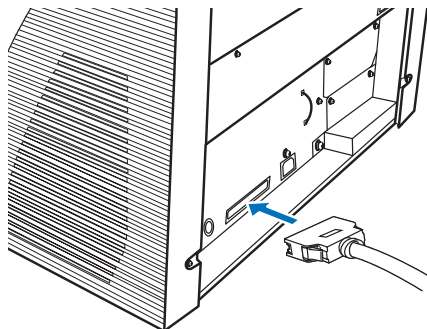
<http://www.fujitsu.com/global/support/computing/peripheral/scanners/scsi/>



- When connecting the SCSI cable, turn the scanner off. Be sure to connect the SCSI cable first, and then turn on the power of the scanner and PC.
- In a SCSI daisy chain configuration, connect the scanner so that it is the terminated device.



- Insert the SCSI cable into the interface connector of the scanner until both sides click.



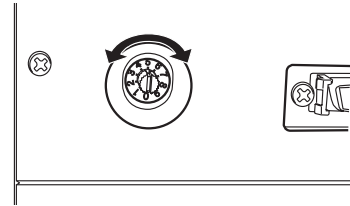
- Connect the other end of the cable to your PC.



Be careful not to bend the pins of the SCSI cable when connecting to the scanner.



- Set the SCSI ID using the SCSI ID switch on the back of the scanner.



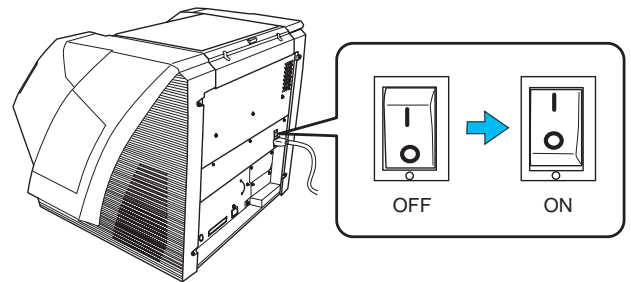
The SCSI ID is initially set to "5" at the factory.

If the SCSI ID of another SCSI device is set to the same ID, either change the scanner's SCSI ID or SCSI ID of the other SCSI device.

ID No.	Description
0 to 7	Can be set as the ID
8, 9	Works with the factory default value (SCSI ID = 5).

When the scanner is turned on, the SCSI ID set is enabled.

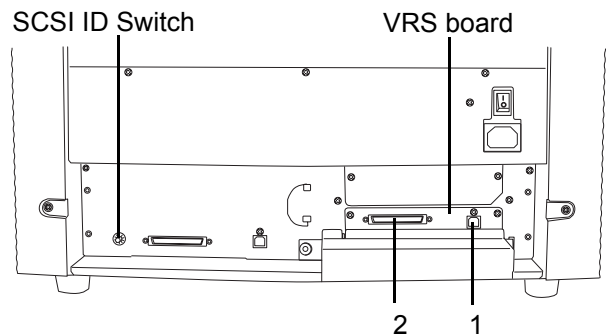
- Press the "I" side of the main power switch to turn on the scanner.



## ■ When using VRS

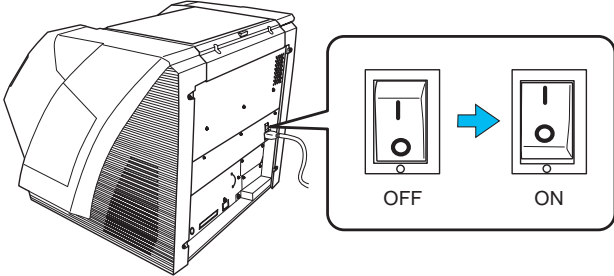
When using the Kofax® VRS, you need to connect it to the exclusive VRS board with either the USB cable or SCSI cable.

- If you use the USB cable, insert it into the interface connector (1) shown below.  
If you use the SCSI cable, insert it into the interface connector (2) shown below.



- Connect the other end of the cable to your PC.

- When using the SCSI cable, set the SCSI ID using the SCSI ID switch on the back of the scanner.  
(Refer to step 3 in "Connecting the SCSI interface" on page 5.)
- Press the "I" side of the main power switch to turn on the scanner.



VRS (VirtualReScan®) is the image processing software manufactured by Kofax Image Products, Inc. It enables to correct image defects, such as document skew when scanned by the scanner, or "jitter" generated by colors or half-tone dot meshing, and so on. You need to install the software in the VRS Installation CD enclosed with this scanner. For how to use the VRS, refer to the User's Guide attached to the VRS Installation CD.

## 2.3 Installing the Scanner Application

For scanning documents with this scanner, both scanner driver and image capturing application software (called "application" hereafter) must be installed on your PC. The following scanner drivers and applications are provided:

- Scanner Driver:**  
FUJITSU TWAIN 32 Scanner Driver  
FUJITSU ISIS Scanner Driver
- Scanning application:**  
ScandAll 21 (for FUJITSU TWAIN 32)  
QuickScan Pro™ (for FUJITSU ISIS)

Install the appropriate scanner driver for the application you will use.



When using VRS, please be sure to install either the FUJITSU TWAIN 32 or the FUJITSU ISIS scanner driver. The Software Operation Panel will automatically be installed together with the driver (TWAIN or ISIS). The Software Operation Panel is necessary for changing the scanner settings.

The following applications also come with fi-5900C. They will provide you more convenient and advanced usage.

- Error Recovery Guide**  
The Error Recovery Guide is a software that displays troubleshooting information on screen if any scanner error occurs.
- Adobe Acrobat**  
De facto standard software for generating and manipulating PDF format electronic document.

The following sections describe installation of each driver and application.

### For FUJITSU TWAIN32 Scanner Driver

#### ■ Preparation

Confirm the following items before installing the application.

- Take out the Setup CD-ROM from its package, but do not insert the Setup CD-ROM into the CD driver yet.
- Connect the scanner correctly to your PC.



For details on how to connect the scanner, refer to "2.2 Connecting the Scanner to Your PC" on page 4.

- Uninstall any older versions of the FUJITSU TWAIN32 driver if it has already been installed.




Uninstall [Scanner Utility for Microsoft Windows] from [Add/Remove Programs] on the control panel.

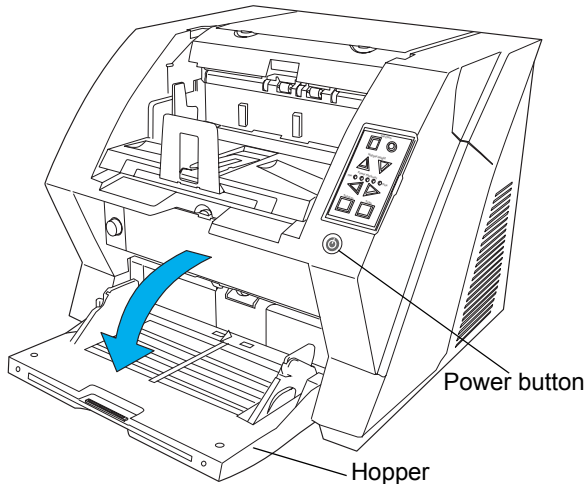
- There are two types of FUJITSU TWAIN32: One of the following driver software will be automatically installed according to your Operating System (OS).  
 For Windows 98, Windows Me, Windows 2000, and Windows XP:  
FUJITSU TWAIN32 V9  
 For Windows 95, Windows NT 4.0:  
FUJITSU TWAIN32 V8
- When using Windows 95 or Windows NT 4.0:


ASPI Manager V4.01 or later is required (the generally comes with SCSI board products).

## ■ Installing the FUJITSU TWAIN32 Scanner Driver


**HINT**  Windows XP screenshots are used in this section. The windows and operations may vary slightly depending on your OS.

1. Open the hopper.



**ATTENTION**  Be sure to open the hopper before turning on the power with the Power button.

2. Press the power button to turn the scanner ON.
3. Turn on your PC and log on to Windows.


**ATTENTION**  When using Windows NT 4.0, Windows 2000 or Windows XP, log on as a user with "Administrator" privileges.

⇒ The scanner is automatically detected and a "Welcome to the Found New Wizard" (or "Welcome to Add Hardware Wizard") screen appears.

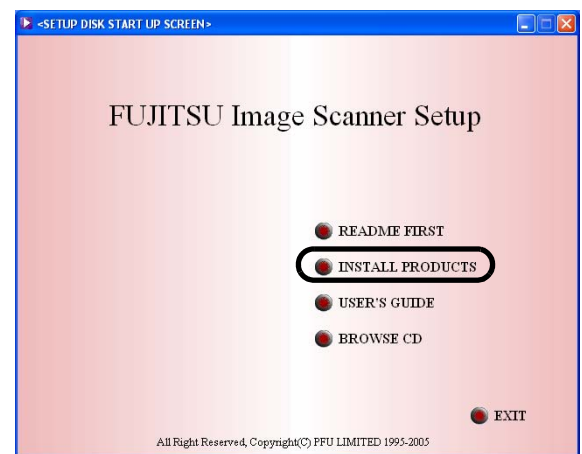
4. Click the [Cancel] button and close the wizard screen at the moment.



5. Insert the Setup CD-ROM into the CD drive.  
⇒ <SETUP DISK START UP SCREEN> appears.


**ATTENTION**  This screen may not appear when the "Autoplay" setting of your CD drive is off. In this case, run "Install.exe" in this CD-ROM directly from "Explorer" or "My Computer".

6. Click [INSTALL PRODUCTS] → [TWAIN driver].



7. The Error Recovery Guide Installation window appears.

The Error Recovery Guide is a software that displays troubleshooting information on screen when any scanner error occurs. Although this software's installation is highly recommended, it can be installed later if you do not install it now.

**ATTENTION**  When you select [Yes] for installing the Error Recovery Guide, [Choose Setup Language] window appears. Select a language and follow the instructions in the window. Error Recovery Guide will automatically continue finishing its installation.

8. Image Processing Software Option installation windows appears.

The Image Processing software is an optional software that provides advanced binarization image processing to the scanner driver.



Selecting [Yes] in the Image Processing Software Option installation window will automatically execute the installation. Click the [OK] button on the confirmation message that appears when the installation is complete. After that the TWAIN driver installation is started.

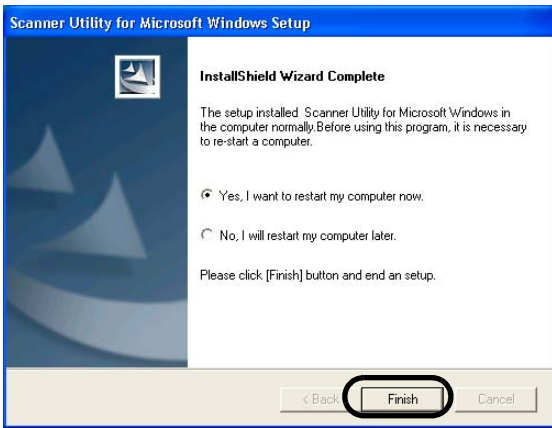


9. Select a language used for installation on [Choose Setup Language] window and click [OK].



10. Install the TWAIN driver following the instructions in the window.

11. When the [InstallShield Wizard Complete] window appears, click [Finish].



Your computer will be restarted and the scanner will be detected. Do not remove the Setup CD-ROM from the CD drive until your PC has completely restarted.



Depending on the OS, the following operations may be necessary.  
For Windows 98:  
When a request for inserting the CD-ROM of Windows 98 appears, insert it into the CD drive and click [OK].  
For Windows 2000:  
When [Digital Signature not Found] appears, click [Yes].



Installation of the scanner driver is completed.



To confirm whether the installation was successful, perform a scanning operation with an application that complies with the TWAIN standards such as ScandAll 21.



## ■ Installing ScandAll 21

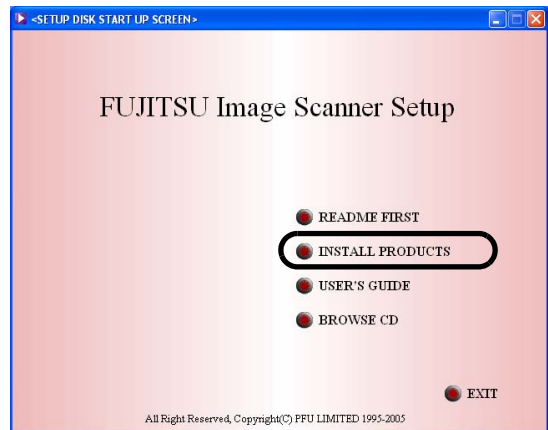
"Scandall 21" is an image capturing software that complies with the TWAIN standard.



When using Windows NT 4.0, Windows 2000 or Windows XP, log on as a user with "Administrator" privileges



1. Insert the Setup CD-ROM into a CD drive.  
⇒ <SETUP DISK START UP SCREEN> appears.
2. Click [INSTALL PRODUCTS] → [ScandAll 21].

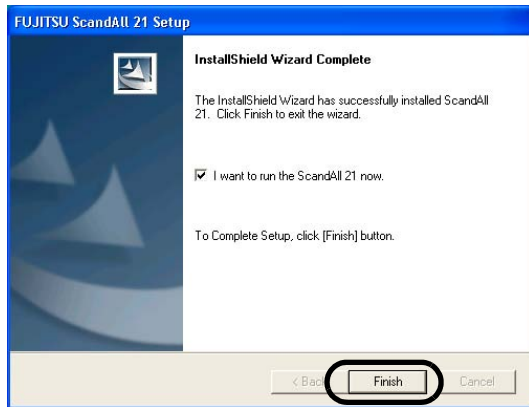


3. Select a language used for installation on [Choose Setup Language] window and click [OK].



4. Continue to install the application following the instructions in the window.
5. When the [InstallShield Wizard Complete] window appears, click [Finish]





For finishing the installation, it may be necessary to restart your computer. Follow the instructions in the Window.

## Confirming Installation

1. Load documents on the scanner.

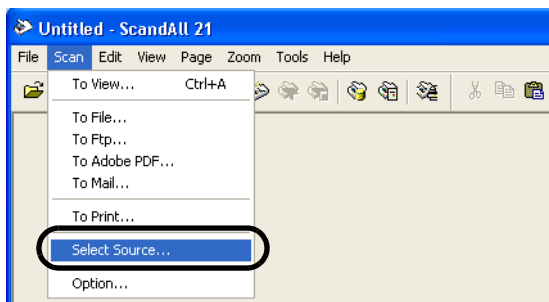
For details on how to set documents, refer to the "2.6 Loading Documents on the Hopper" in the fi-5900C Operator's Guide provided in the CD-ROM.

2. Start ScandAll21.

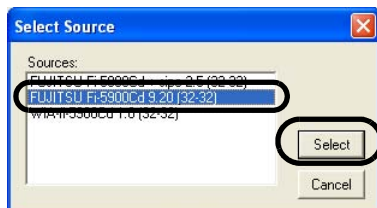
Select [Start] - [Programs] - [Scanner Utility for Microsoft Windows] - [ScandAll 21].

3. Specify the scanner to use.

Select [Select Source...] from the [Scan] menu of ScandAll 21.



4. Select "FUJITSU Fi-5900Cd" or "FUJITSU TWAIN32" on the dialog box appeared.



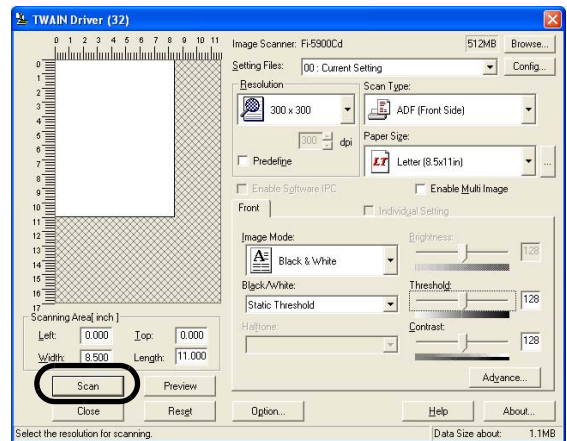
For Windows 98, Windows Me, Windows 2000, Windows XP:

[FUJITSU Fi-5900Cd]

For Windows 95, Windows NT 4.0:

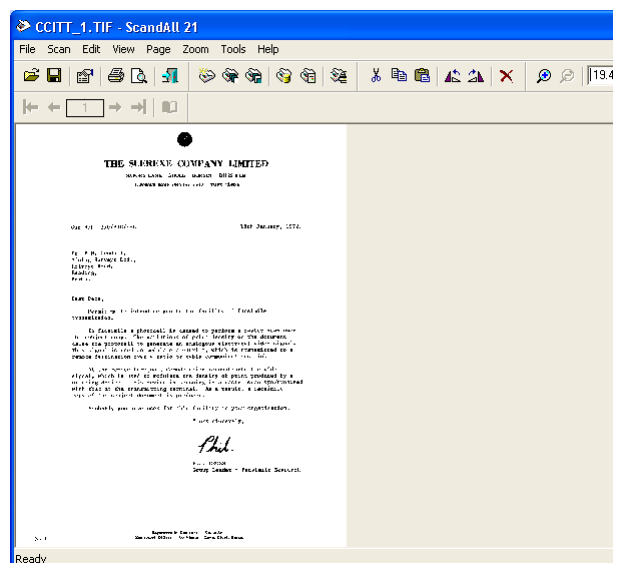
[FUJITSU TWAIN 32]

5. Select [To View...] from the [Scan] menu.
6. Select scanning resolution, document size, etc. on the [TWAIN driver] window and click the [Scan] button.



For details on [TWAIN driver], refer to the "FUJITSU TWAIN32 Scanner Driver Help" provided in the Setup CD-ROM

7. Documents are scanned, and the generated images are displayed in the [ScandAll 21] window.



If scanning is completed without trouble, the installation was performed successfully.

For details on various types of scanning, refer to the "fi-5900C Operator's Guide" on the Setup CD-ROM.

## For FUJITSU ISIS Scanner Driver

### ■ Preparation

Confirm the following items before installing the application.

- Take out the Setup CD-ROM from its package, but do not insert the Setup CD-ROM into the CD driver yet.
- Connect the scanner correctly to your PC.



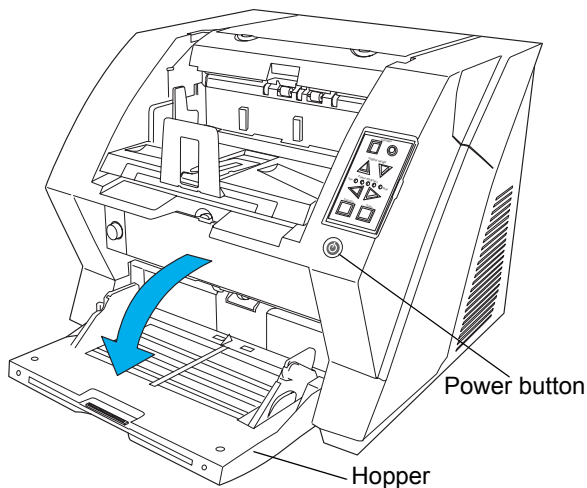
For details on how to connect the scanner, refer to "2.2 Connecting the Scanner to Your PC" on page 4.

### ■ Installing the FUJITSU ISIS Scanner Driver



Windows XP screenshots are used in this section as examples. The windows and operations may vary slightly depending on your OS.

1. Open the hopper.



Be sure to open the hopper before turning on the power with the Power button.

2. Press the power button to turn the scanner ON.
3. Turn on your PC and log on to Windows.



When using Windows NT 4.0, Windows 2000 or Windows XP, log on as a user with "Administrator" privileges.

- ⇒ If the scanner is automatically detected, [Found New Hardware Wizard] or [Add/Remove Hardware Wizard] dialog box will appear.

4. Click [Cancel] to close the Wizard window.

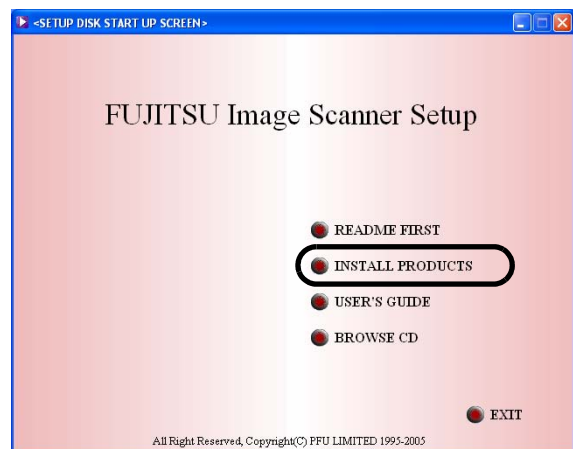


5. Insert the "Setup CD-ROM" into the CD drive.  
⇒ <SETUP DISK START UP SCREEN> appears.




This screen may not appear when the "Autoplay" setting of your CD drive is off. In this case, run "Install.exe" in this CD-ROM directly from "Explorer" or "My Computer".

6. Click [INSTALL PRODUCTS] and then click [ISIS Driver].




7. The Error Recovery Guide Installation window appears.

The Error Recovery Guide is a software that displays troubleshooting information on screen if any scanner error occurs. Although this software's installation is highly recommended, it can be installed later if you do not install it in this step.

**ATTENTION**  When you select [Yes] for installing Error Recovery Guide, the [Choose Setup Language] window appears. Select a language and follow the instructions in the Window. The Error Recovery Guide will automatically continue finishing its installation.

8. Image Processing Software Option installation windows appears.

The Image Processing software is an optional software that provides advanced binarization image processing to the scanner driver.

**ATTENTION**  Selecting [Yes] in the Image Processing Software Option installation window will automatically execute the installation. Click the [OK] button on the confirmation message that appears when the installation is complete. After that the TWAIN driver installation is started.


9. Select a language used for installation on [Choose Setup Language] window and click [OK].



10. Install the application following the instructions in the window.

11. When the [InstallShield Wizard Complete] window appears, click [Finish].


Your computer will be restarted and the scanner will be detected. Do not remove the Setup CD-ROM from the CD drive until your PC has completely restarted.

**ATTENTION**  Depending on the OS, the following operations may be necessary.  
For Windows 98:  
When a request for inserting the CD-ROM of Windows 98 appears, insert it into the CD drive and click [OK].  
For Windows 2000:  
When [Digital Signature not Found] appears, click [Yes].

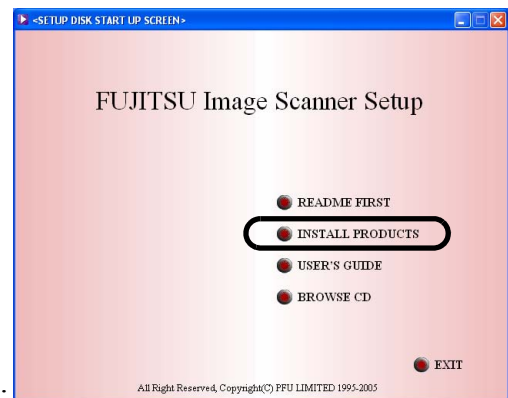
The installation of the scanner driver is completed.

## ■ Installing QuickScan Pro™

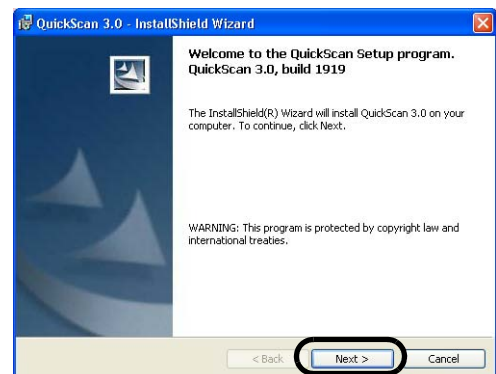
"QuickScan Pro™" is an image capturing software that complies with the ISIS standard.

**ATTENTION**  When using Windows NT 4.0, Windows 2000 or Windows XP, log on as a user with "Administrator" privileges.

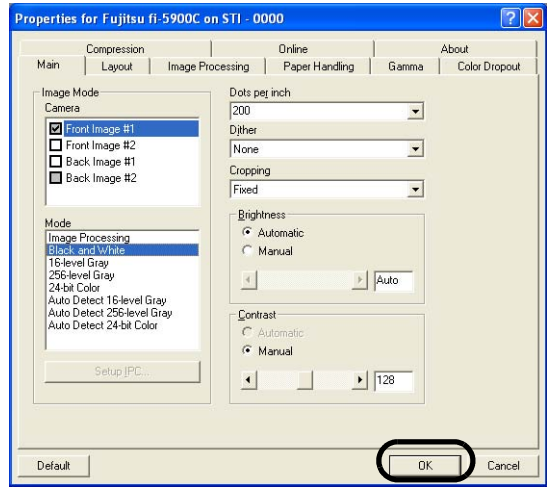
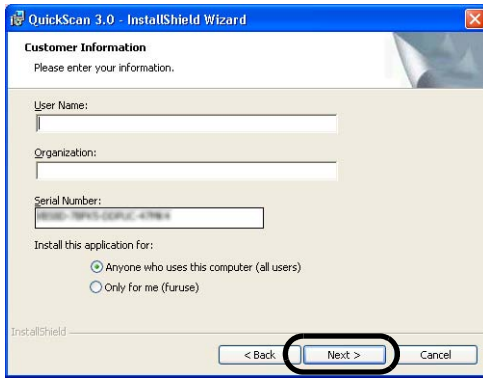
1. Insert the Setup CD-ROM into a CD drive.  
⇒ <SETUP DISK STARTUP SCREEN> appears.
2. Click [INSTALL PRODUCTS] → [QuickScan PRO (Trial)].



3. Continue to install the application following the instructions in the window.



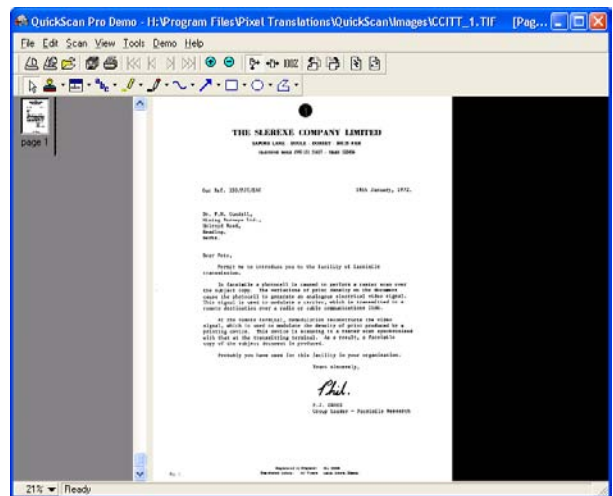
- Enter required information, then click [Next >].



"QuickScan Pro™" included in the Setup CD-ROM is an trial version. For further use after expiration of the trial period (up to 30 launches), it is necessary to purchase a fully functional version of QuickScan™ Pro. (When you install the trial version, do not change the Serial Number already displayed.)

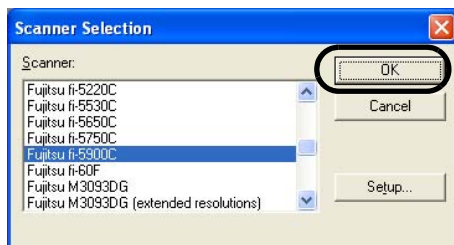
- Select [Preview Scan] from the [Scan] menu. And then the document is scanned.

- Install the application following the instructions in the window.



## Confirming Installation

- Load documents on the scanner.  
For details on loading documents, refer to "2.6 Loading Documents on the Hopper" in the fi-5900C Operator's Guide on the Setup CD-ROM.
- Start QuickScan Pro™.  
From [Start] menu select [Programs]-[Quick-Scan]-[QuickScan].
- Select [Select Scanner...] from [Scan] menu in QuickScan Pro™.
- And select fi-5900C from the list of [Scanner:], and then click [OK] button.



If the scanning completes without any trouble, the installation was performed successfully.



Refer to "QuickScan Overview" or "Quick-Scan Help" for information about Quick-Scan functions and operations. On the [Start] menu, point to [Programs]-[Quick-Scan] and click the file.

- Select [Preview Settings...] from the [Scan] menu. Set the scan resolution, paper size and other scanning parameter, and then click [OK].

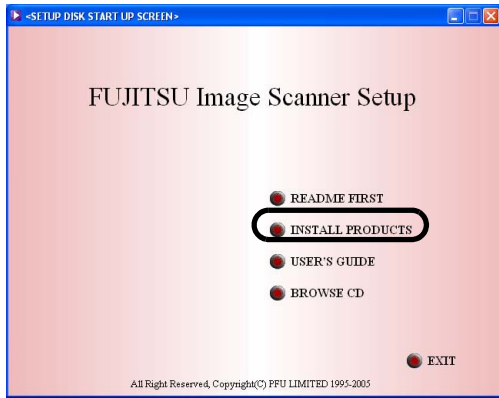
## Error Recovery Guide

The Error Recovery Guide is a software that displays troubleshooting information on screen if any scanner error occurs.

If you did not install the Error Recovery Guide when installing the scanner driver, install it following the procedure below.

- Insert the Setup CD-ROM into the CD drive.  
⇒ <SETUP DISK STARTUP SCREEN> appears.

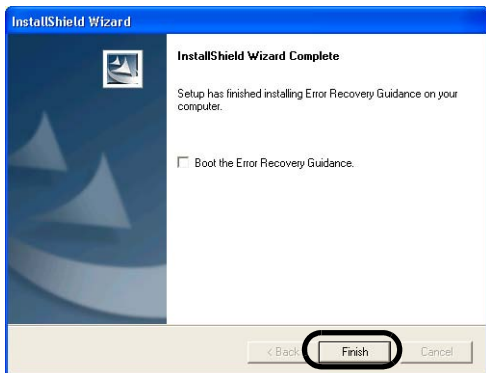
- Click [INSTALL PRODUCTS] and then click [Error Recovery Guide].



- Select a language used for the installation in the "Choose Setup Language" window and click [OK].



- Install the application following the instructions in the window.
- When the [InstallShield Wizard Complete] window appears, click [Finish].



## Adobe® Acrobat®

Install Adobe Acrobat from the "Adobe Acrobat CD-ROM" provided with this scanner.



Adobe Acrobat bundled with this scanner **is not supported** by Windows 95, Windows 98 /98 Second Edition, Windows NT4.0, Microsoft Windows Me.



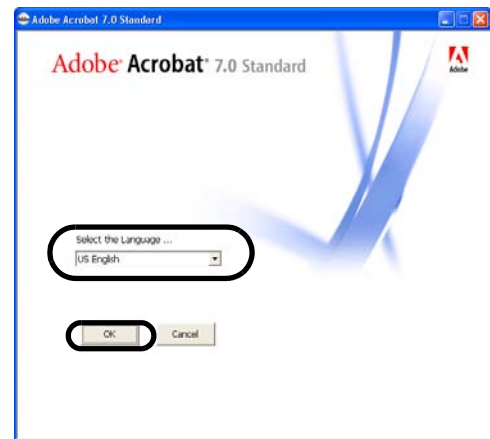
Adobe Acrobat is required for displaying the manuals stored in the CD-ROM.  
\* Installation of Adobe Acrobat is not necessary if it has already been installed in your PC.

- Insert the Adobe Acrobat CD-ROM into the CD-ROM drive.  
⇒ The CD-ROM is automatically detected and the "Adobe Acrobat" window appears.



This screen may not appear when the "Autoplay" setting of your CD drive is off. In this case, run "AutoPlay.exe" in this CD-ROM directly from "Explorer" or "My Computer".

- Select a language and Click [OK] button.



- Select "Install Adobe Acrobat".



- Click the [Next] button. The set up window appears.



5. Follow the instructions to install the software.



Select "How to install" on the "Adobe Acrobat" window to learn more about Adobe Acrobat installation. Refer to "Adobe Acrobat Help" about how to use Adobe Acrobat.



Notes for using Adobe Acrobat:  
When scanning a document and converting the image to PDF using Adobe Acrobat, unexpected images may be output when:

1. Setting "Edge Shadow Removal" in Acrobat, and setting "Digital Endorser" or "Black Background" options in the TWAIN driver at the same time. Letter strings embedded in the image or the background may be missed.

**Solution 1:** Set "Edge shadow removal" to "OFF" or set any option other than "Adaptive" for "Color/Grayscale" and/or "Monochrome" under "Compression" by selecting [File]->[Create PDF]-> [From Scanner...]-> [Image Settings...] in Acrobat.

**Solution 2:** Adjust the scanning density in the TWAIN driver.

2. Setting "Adaptive" for "Color/Grayscale" and/or "Monochrome" under "Compression" in Acrobat and scanning in a resolution lower than the resolution recommended for Acrobat.

**Solution:** Set OPTION to something other than "Adaptive" under "Compression."

3. Scanning a document longer than the double letter (11x17) or A3 size, when setting "Overscan" in the TWAIN driver, the scan may fail.

**Solution:** When scanning a double letter (11x17) or A3 size of document, do not set "Overscan" in TWAIN driver.

\*As for detailed usage and information of Acrobat, refer to "Create a PDF file from a scanned document" in Acrobat Help.



Support and User registration for Adobe products:  
Refer to the technical support information stored in the [Customer Support] folder on Adobe Acrobat CD-ROM. (Note that free person-to-person support is not available for this is bundled product.)

## Uninstalling Supplied Programs

Follow the procedure below to uninstall supplied programs.



Windows XP screenshots are used in this section. The windows and operations may slightly vary depending on your OS.

1. Start up your PC.



When using Windows NT 4.0, Windows 2000 or Windows XP, log on as a user with "Administrator" privileges (privileges of the administrator of your PC).

2. Exit all currently running programs.

3. Select [Control Panel] - [Add or remove Programs] from the [Start] menu.

⇒ This displays the "Add or remove Programs" screen which displays a list of the currently installed applications.

4. Select the application to uninstall.

- When uninstalling FUJITSU TWAIN 32 scanner driver, select "**Scanner Utility for Microsoft Windows**".
- When uninstalling Scandall 21, select "**ScandAll 21**".
- When uninstalling FUJITSU ISIS scanner driver, select "**Fujitsu ISIS Drivers**".
- When uninstalling QuickScan Pro™, select "**QuickScan 3.0**".
- When uninstalling Error Recovery Guide, select "**Error Recovery Guide**".
- When uninstalling Image Processing Software Option, select "**Image Processing Software Option**".

- 
- When uninstalling Software Operation Panel,  
select "**Software Operation Panel**".



When uninstalling Adobe Acrobat, refer to the installation procedure described in the Adobe Acrobat CD-ROM.



5. Click the [Change/Remove] or [Remove] button.
6. When the confirmation dialogbox appears, Click the [OK] or [Yes] button.

⇒ This executes the uninstallation.



Screen displays may vary slightly according to the operation system (OS) you are using. Follow the on screen instructions of the OS.

Example: When the OS Windows 2000

- "Add or Remove Programs" - "Add/Remove Applications"
- [Change/Remove] button - [Add/Remove] button.



# Appendix 1 TROUBLESHOOTING

## ■ Troubleshooting checklist

Symptom	Check this item	Remedy
Scanner does not turn on.	Have you pushed the power button on the front of the scanner?	Push the power button.
	Have you pushed the main power switch at the back of the scanner?	Push the Main power switch of the scanner. Then push the power button.
	Is the AC power cable properly connected to the scanner?	Correctly connect the AC power cable to the scanner adapter. Disconnect the AC power cable, then connect it again. If this does not restore the power supply, contact the store where you purchased the scanner or an authorized FUJITSU scanner service provider.
Scanning does not start.	Are documents loaded correctly on the hopper?	Load documents correctly on the hopper.
	Is the ADF closed completely?	Close the ADF completely.
	Is the USB cable or SCSI cable properly connected?	Correctly connect the cable. (When a USB hub is used, check the hub's power supply.)
	(When using the SCSI interface) Is SCSI ID set correctly?	Set SCSI ID correctly by SCSI ID switch on rear of scanner.
	Does the Function Number Display indicate an alarm or an error?	When the Function Number Display indicates an alarm or an error, refer to the "Chapter 6. TROUBLESHOOTING" in the fi-5900C Operator's Guide for removing the alarm or the error.
	Does the alarm state remain displayed even after the scanner has been turned off and back on again?	Turn off and on the power button. If this does not eliminate the alarm state, contact the store where you purchased the scanner or an authorized FUJITSU scanner service provider.
Vertical lines appear in the scanned image.	Is the glass dirty?	Clean the glass following the instructions in the Operator's Guide "4. Daily Care".
The scanned image shifts or is distorted.	Are the documents loaded correctly?	Load the documents correctly.
Quality of generated image is unsatisfactory.	Are the glass or sheet guides (Black/White reference area) clean?	Clean the dirty locations.
Multifeed* frequently occurs.  *Multifeed" is a phenomenon when two or more sheets of paper are fed simultaneously into the scanner.	Do the documents satisfy the "Document Quality" and the "Multifeed Detection Conditions" in the chapter 7 of the fi-5900C Operator's Guide?	Scan the documents that satisfy the "Document Quality" and the "Multifeed Detection Conditions" in the chapter 7 of the fi-5900C Operator's Guide.
	Are the documents set properly in the hopper?	Fan the documents before scanning. Correctly align the document stack and load them on the hopper. Refer to " 2.6 Loading Document on Hopper" in the Operator's Guide for details.
	Is the document stack loaded on the hopper thicker than 50mm (2 inch)?	Reduce the number of sheets in the document stack to 50 mm (2 inch) thick or less.
	Are the Brake roller, the Separator roller or the Pad dirty?	Clean the Brake roller, the Separator roller or the Pad. Refer to the Operator's Guide "4. Daily Care".
	Are the Brake roller, the Separator roller or the Pad worn out?	Replace the Brake roller, Separator roller or the Pad. Refer to the Operator's Guide "5. Replacing the Pad".
	Have you set the document thickness on the Operator panel?	Set the document thickness thicker.



Symptom	Check this item	Remedy
Paper is not fed (pick error occurs frequently, or document stops midway).	Do the documents satisfy the "Document Quality" and the "Multifeed Detection Conditions" in the chapter 5 of the fi-5900C Operator's Guide?	Use the documents that satisfy the "Document Quality" and the "Multifeed Detection Conditions" in chapter 5 of the fi-5900C Operator's Guide.
	Are the Separator roller or the Pick rollers dirty?	Clean the Separator roller or the Pick rollers. Refer to the Operator's Guide "4. Daily Care".
	Are the Separator roller or the Pick rollers worn out?	Replace the Separator roller or the Pick rollers. Refer to the Operator's Guide "5. Replacing of Consumables".
	Is there any debris on the document feed path?	Remove any debris from the document feed path.
	Have you set the document thickness on the Operator panel?	Set the document thickness thinner.
The generated images are elongated.	Are the Feed rollers or the Pinch rollers dirty?	Clean the Feed rollers or the Pinch rollers. Refer to the Operator's Guide "4. The Daily Care".
	Have you adjusted the Vertical Magnification?	For Windows 98, Windows Me, Windows 2000, Windows XP, select "Scanners and Cameras" in the control panel. Right-click on fi-5900C and select Properties. Click on the [Device Set] tab and then click on the [Offset] button. Adjust the Vertical Magnification. For Windows 95, Windows NT 4.0, right-click the Scanner Control Center in the task tray, select [Options] and adjust the Vertical Magnification.
There is a shadow on the leading edge of the generated image.	Have you adjusted the offset (the scanning starting position)?	For Windows 98, Windows Me, Windows 2000, Windows XP, adjust the [Sub-scan Setting] on [Scanners and Cameras] in the control panel. For Windows 95, Windows NT 4.0, right-click the Scanner Control Center, select [Options]-[Sub-scan Setting] and adjust the offset.

## ■ Temporary error

Indication	Meaning
U1	A paper feed error occurred.
U2	A multi feed error occurred.
U4	The ADF cover or the pre-imprinter cover is opened.
U6	The print cartridge is not set.
U8	One of the following error occurred: 1. The document sensors are dirty. 2. The stacker is full. 3. The Brake roller or Separator rollers are not installed properly.

The following shows the procedure for releasing of each of the temporary errors.

- "U1" error
  1. Remove the jammed documents.  
(Refer to the fi-5900C Operator's Guide "6.1 Clearing Document Jams" on the Setup CD-ROM.)
  2. Confirm that the documents meet the paper specifications for scanning.  
(Refer to fi-5900C Operator's Guide "7.2 Document Quality" on the Setup CD-ROM.)
- "U2" error  
Press the [Send to] button on the Operator Panel. The documents that were multi fed will be ejected.
- "U4" error  
Close the ADF cover or pre-imprinter cover.
- "U6" error  
This is a temporary error related to the Imprinter option (sold separately). For details, refer to the "fi-590PRF/ fi-590PRB Operator's Guide, "5 Error Message".
- "U8" error
  1. Clean the document sensors  
For details refer to fi-5900C Operator's Guide "4.5 Cleaning the Transport path and the sensors".
  2. Verify that the number of sheets ejected to the stacker is below stacker's capacity, and that the Pick roller is not set for manual feeding.
  3. Verify that the both rollers are installed properly. For details, refer to fi-5900C Operator's Guide "5.5 Replacing the Separator Rollers" and "5.6 Replacing the Brake roller".

## ■ Device alarm (Permanent error)

Indication	Meaning
E0	Hopper or Stacker error
E2	Optical system error (front)
E3	Optical system error (back)
E4	The motor fuse has blown out.
E5	The lamp fuse has blown out.
E6	Operator panel error
E7	Trouble occurred in the internal memory (EEPROM).
E8	SCSI fuse has blown out
E9	Image memory error
EA	Imprinter error
Ec	Image memory error
Ed	SCSI interface or USB interface controller error
EF	Background switching mechanism error
E10	ROM error
E11	Cooling fan error
E12	Heater error
E15	Extended memory error
E16	Option board error
E17	The imprinter fuse has blown out.
E18	Sensor error
E19	LSI error
E1A	Troubles occurred in the communication inside of the scanner.

When you encounter any alarm, turn off and on the scanner. If the alarm is still displayed on the Function Number Display, contact the store where you purchased the scanner or an authorized FUJITSU scanner service provider.

# Appendix 2 DAILY CARE



During its operation, the inside glass of the ADF becomes very hot. Before you clean inside the scanner, turn off its power and unplug the AC adapter from the outlet. Wait for at least 15 minutes. Do not turn off the scanner when you clean the Feed rollers or Eject rollers.



## ■ Cleaning Materials

Cleaning Materials	Parts No.	Remarks
Cleaning sheet	CA99501-0016	20 sheets/pack For the cleaning method, refer to "4 Daily Care in the fi-5900C Operator's Guide.
Cleaner F1 (or isopropyl alcohol)	CA99501-0013	1 bottle Moisten a cloth with this fluid and wipe the scanner to clean.
Cleaner F2	CA99501-0014	1 bottle Moisten a cloth with this fluid and clean metal rollers only. (Do not use for any other parts.)
Cotton swab	Commercially available	
Lint-free dry cloth		

For details about the cleaning materials, contact the FUJITSU scanner dealer where you purchased the scanner.

## ■ Cleaning Method

The ADF must be cleaned with a lint-free cloth moistened with the Cleaner F1.

The Feed roller must be cleaned with a lint-free cloth moistened with the Cleaner F2.

## ■ Locations and Cycle for Cleaning

Part to clean	Standard Cleaning Cycle
Pad	Clean these parts after every 10,000 scans.
Pick rollers	
Brake roller	
Separator rollers	
Feed rollers	
Pinch rollers	
Transport path	
Glass	
Skew-detection sensor	
Document sensor	



The scanner must be cleaned more frequently if you scan any of the following type of sheets:

- Documents of coated paper
- Documents that are almost completely covered with printed text or graphics
- Chemically treated documents such as carbonless paper
- Documents containing a large amount of calcium carbonate
- Documents written with pencil

For details on the cleaning the ADF, refer to "4. Daily Care" in the fi-5900C Operator's Guide on the Setup CD-ROM".

# Appendix 3 REPLACING CONSUMABLES



During its operation, the inside glass of the ADF becomes very hot. Before replacing the consumables, turn its power off and unplug the AC adapter from the outlet. Wait at least 15 minutes.



## Consumables and Replacement Cycle

The followings are the specifications of consumables and their recommended replacement cycles.

Description	Parts No.	Standard Replacement Cycle
Pad	PA03450-K014	After 600,000 scans or one year
Pick rollers	PA03450-K011	After 600,000 scans or one year
Brake roller	PA03450-K013	After 600,000 scans or one year
Separator rollers	PA03450-K012	After 600,000 scans or one year

To purchase consumables, contact the store where you purchased the scanner or an authorized FUJITSU scanner service provider.

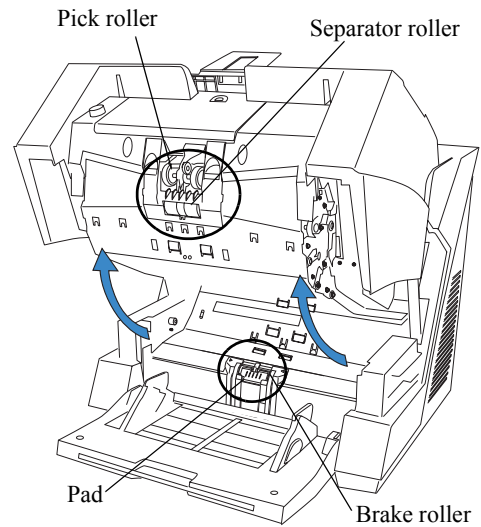
The replacement cycles above are rough guidelines when scanning A4/Letter sized, 20lb paper. This cleaning cycle varies according to the type of papers scanned and how frequently the scanner is used and cleaned.



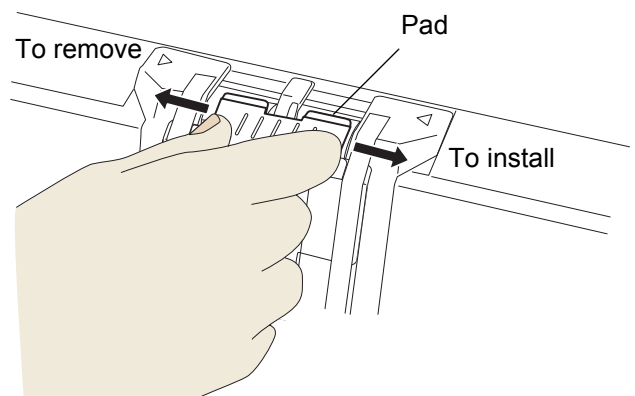
Use only the specified consumables.



The following illustrations show the locations of the consumables. Refer to "Chapter 5 Replacing Consumables" fi-5900C Operator's Guide on the Setup CD-ROM.

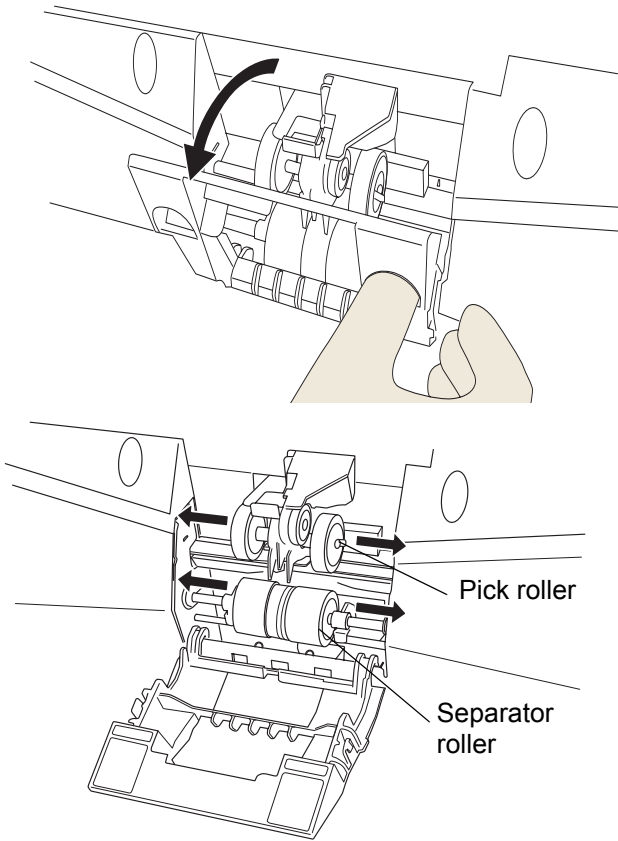


## Pad

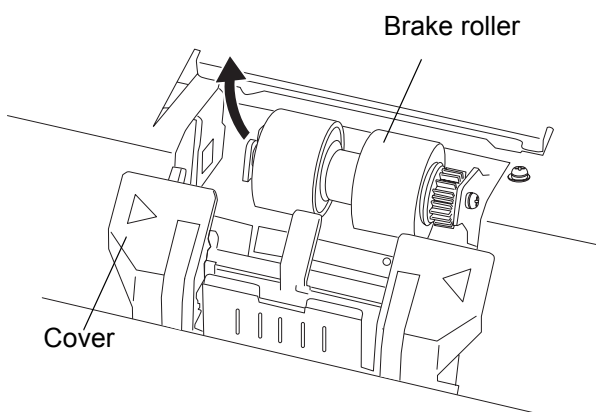
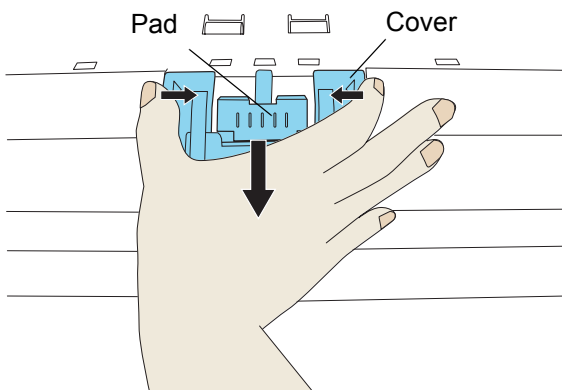


■ Pick roller

■ Separator roller



■ Brake roller



---

## **fi-5900C Image Scanner Getting Started**

**P3PC-1422-03EN**

Date of issuance: June, 2006

Issuance responsibility: PFU LIMITED

---

- Copying of the contents of this manual in whole or in part and copying of the scanner application is forbidden under the copyright law.
- The contents of this manual are subject to change without notice.
- PFU LIMITED is not liable whatsoever for any damages resulting from use of this scanner and procedures described in this manual, profit loss due to defects, and any claims by a third party.