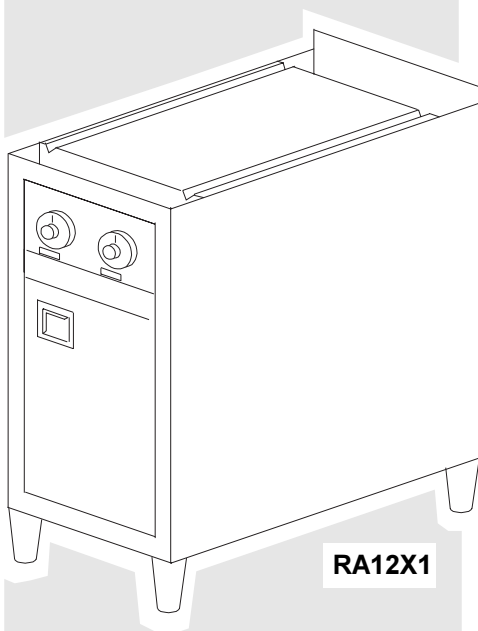


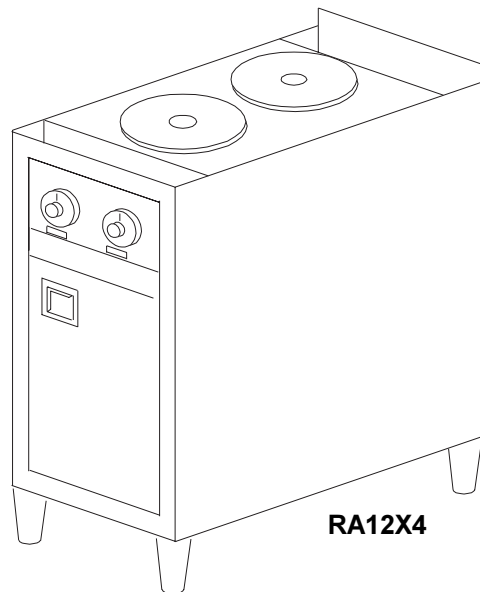


parts manual



RA12X1

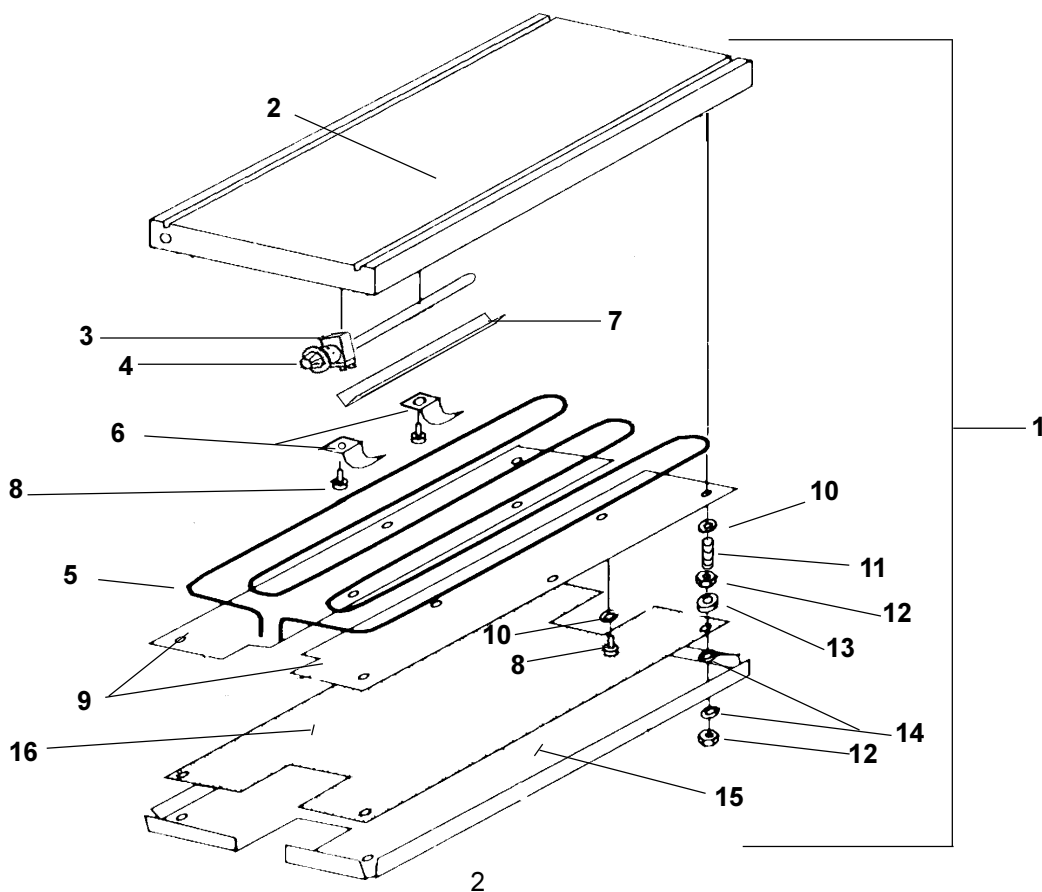
**RA12X1 ALL-PURPOSE TOP
AND RA12X4 HOTPLATE
RANGES**



RA12X4

RA 12X1 SUBASSEMBLY

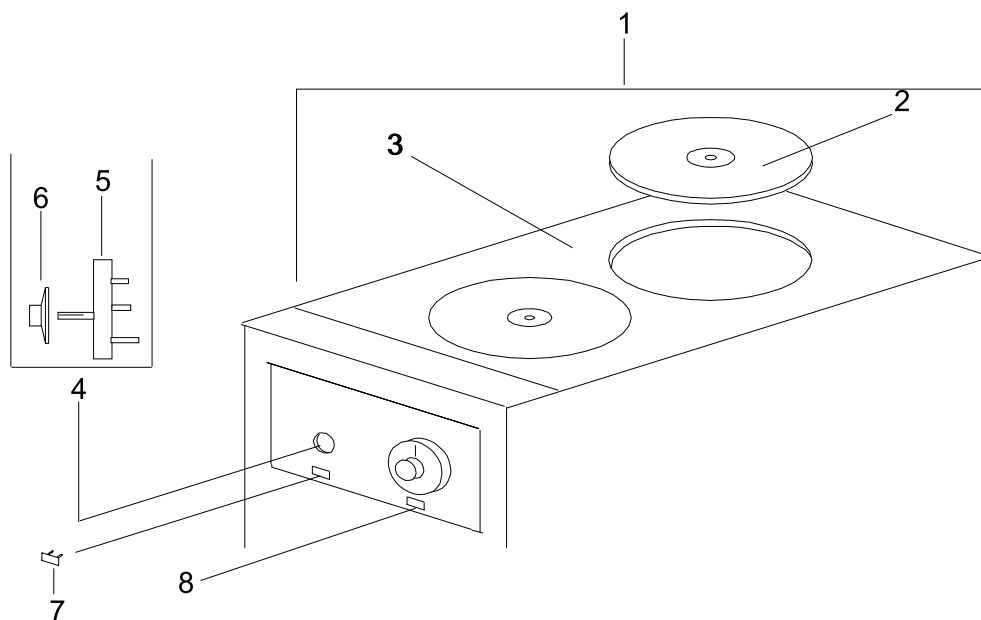
ITEM NO.	QTY.	PART NO.	DESCRIPTION
1	1	7601872	12 x 24 Hotplate Assembly, 208V
1	1	7601873	12 x 24 Hotplate Assembly, 240V
1	1	7601875	12 x 24 Hotplate Assembly, 480V
2	1	20XA1G1	12 x 24 Griddle Top, Grooved
3	1	3004281	Thermostat, Hotplate 250° - 850° F (121° - 454°C)
4	1	2100094	Knob, Thermostat 250° - 850° F (121° - 454°C)
5	1	F706A8703	Heater, 208V / 5200W
5	1	F706A8731	Heater, 240V / 5300W
5	1	F706A8729	Heater, 480V / 5300W
6	2	F706A1013	Clamp, Bulb Thermostat
7	1	7007257	Angle, Bulb Clamp
8	8	2000340	Cap Screw, 1/4 - 20 x 3/8
9	2	20A2G1	Plate, Clamp
10	10	F706A8809	Washer, Flat , 0.34 x 1.25 x 0.051
11	4	2001184	Stud, Threaded 1/4-20 x 1.75
12	8	F706A8807	Nut, Hex 1/4-20 Brass
13	4	F706A8811	Spacer
14	10	F706A8805	Washer, Flat, 1/4
15	1	F706A1017	Baffle
16	1	8500079	Insulation, Grid/Hotplate



RA12X4 SUBASSEMBLY

ITEM NO.	QTY.	PART No.	DESCRIPTION
1	1	20B2A312S*	Twin EGO Hotplate and Panel Assembly, 208V/2000W
1	1	34797*	Twin EGO Hotplate and Panel Assembly, 208V/2600W
1	1	20B2A313*	Twin EGO Hotplate and Panel Assembly, 240V/2000W
1	1	33850*	Twin EGO Hotplate and Panel Assembly, 240V/2600W
1	1	20B2A314	Twin EGO Hotplate and Panel Assembly, 380V/2000W
1	1	20B2A315	Twin EGO Hotplate and Panel Assembly, 480V/2000W
2	2	20B2E40*	Round EGO Hotplate, 208V/2000W
2	2	1132B8701*	Round EGO Hotplate, 208V/2600W
2	2	20B2E41*	Round EGO Hotplate, 240V/2000W
2	2	1132B8703*	Round EGO Hotplate, 240V/2600W
2	2	20B2E46	Round EGO Hotplate, 380V/2000W
2	2	20B2E47	Round EGO Hotplate, 480V/2000W
3	1	35795	Twin Hotplate Panel
4	1	34414	Switch Kit, 3-Heat and Off (Units made prior to 1/96 only)
5	2	32941	Rotary Switch, 3-Heat and Off (Units made after 1/96)
6	2	33432	4-Position Knob (Units made after 1/96)
7	1	3003140	Front Indicator Light, 250V
8	1	3003139	Rear Indicator Light, 250V
7	1	3003158	Front Indicator Light, 480V
8	1	3003157	Rear Indicator Light, 480V

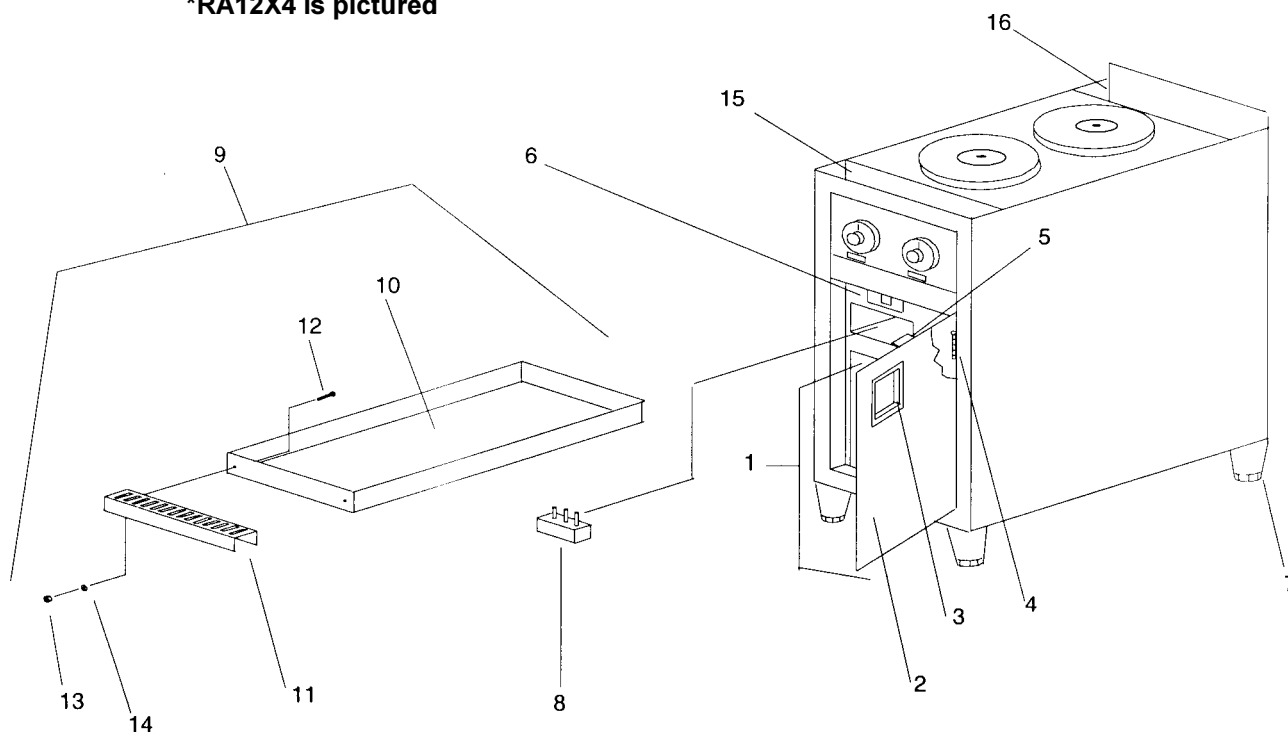
* All 208V and 240V units made prior to 7/94 are rated at 4.0 KW (2 x 2000W hot plates). All 208V and 240V units produced since 7/94 are rated at 5.2 KW (2 x 2600W hot plates). Check the wattage rating on your unit's nameplate before ordering.



RA12X1 and RA12X4*

ITEM NO.	QTY.	PART NO.	DESCRIPTION
1	1	7601859	Cabinet Door Assembly, Complete
2	1	7001101	Cabinet Door
3	1	3101755	Door Pull, Recessed
4	2	3101804	Hinge, Cabinet Door
5	1	3101005	Magnetic Door Plate
6	1	7002668	Magnetic Catch Plate
7	4	3101907	Adjustable Leg, 6"
8	1	3027A0001	Terminal Block Assembly, 3-Phase
8	1	1122B0001	Terminal Block Assembly, 1-Phase
9	1	7604763S	Grease Drawer and Handle Assembly
10	1	7604761	Grease Drawer Wldmt.
11	1	7001736	Grease Drawer Handle
12	2	2000199	Screw, 10 - 24 x 3/8 18-8
13	2	A3323	Hex Nut 10 - 24 SST
14	2	2001740	Washer, Lock Ext #10 ZP
15	1	7601856	Front Grease Trough
16	1	7601868	Rear Grease Trough Assembly
not shown	2	20B2E44	Terminal Block Assembly, Heating Element

*RA12X4 is pictured



Middleby Cooking Systems Group • 1400 Toastmaster Drive • Elgin, IL 60120 • (847)741-3300 • FAX (847)741-4406

Middleby Corp 24-Hour Service Hotline 1-800-238-8444

www.middleby.com