

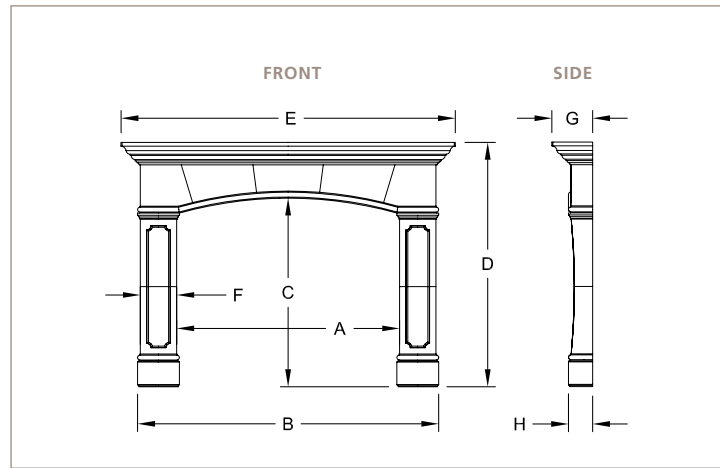
CAST | *Mantels*

FIRESIDE
Furnishings™



CAST SERIES

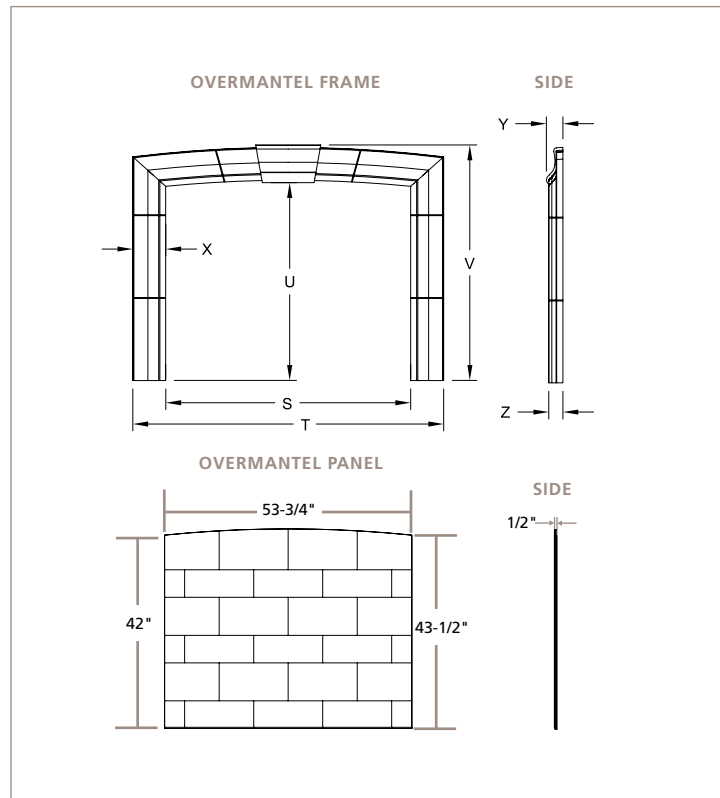
AVALON



AVALON MANTEL WITH CAST FACING

| | A OPENING WIDTH | B OUTSIDE WIDTH | C OPENING HEIGHT | D OUTSIDE HEIGHT | E TOP WIDTH | F LEG WIDTH | G SHELF DEPTH | H LEG DEPTH |
|--------|-----------------------|-----------------------|------------------------|------------------------|-------------------|-------------------|---------------------|-------------------|
| AVALON | 52" | 70-1/4" | 44" | 57" | 78" | 8-1/2" | 9-1/2" | 5-5/8" |

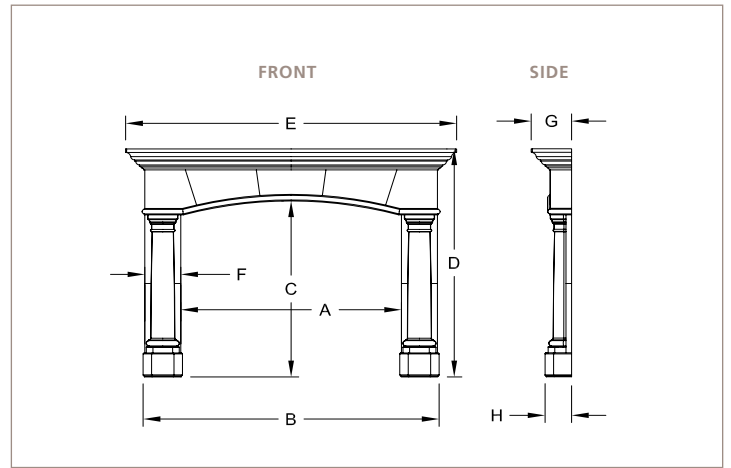
AVALON with overmantel



AVALON MANTEL AND CAST FACING WITH OVERMANTEL

| | S OPENING WIDTH | T OUTSIDE WIDTH | U OPENING HEIGHT | V OUTSIDE HEIGHT | X LEG WIDTH | Y SHELF DEPTH | Z LEG DEPTH |
|-------------------|-----------------------|-----------------------|------------------------|------------------------|-------------------|---------------------|-------------------|
| AVALON OVERMANTEL | 52" | 66" | 42" | 50" | 7" | 3-1/2" | 3" |

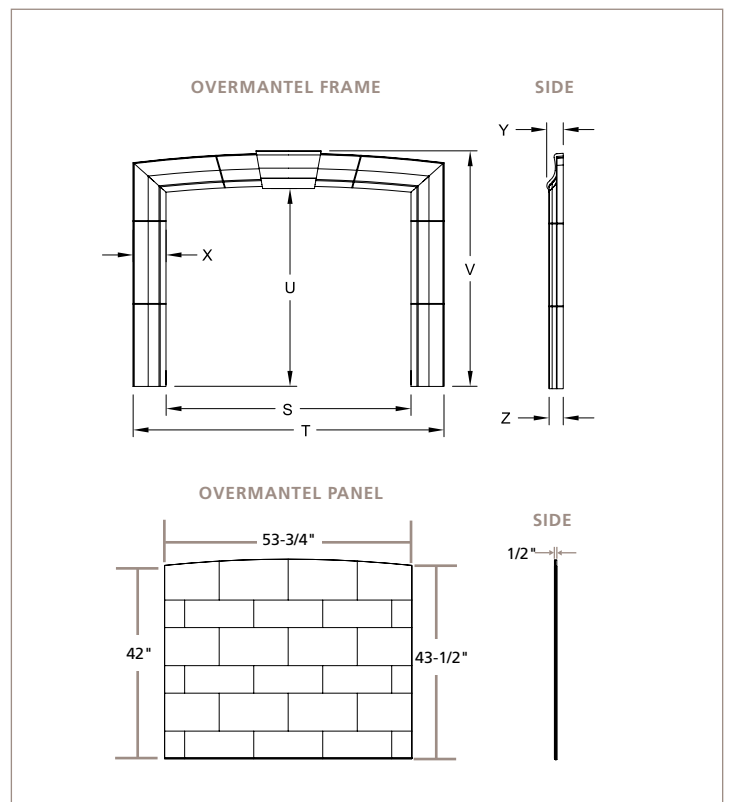
BILTMORE



BILTMORE MANTEL WITH CAST FACING

| | A OPENING WIDTH | B OUTSIDE WIDTH | C OPENING HEIGHT | D OUTSIDE HEIGHT | E TOP WIDTH | F LEG WIDTH | G SHELF DEPTH | H LEG DEPTH |
|----------|-----------------------|-----------------------|------------------------|------------------------|-------------------|-------------------|---------------------|-------------------|
| BILTMORE | 52" | 69-3/4" | 44" | 57" | 78" | 8-1/2" | 9-1/2" | 6-1/4" |

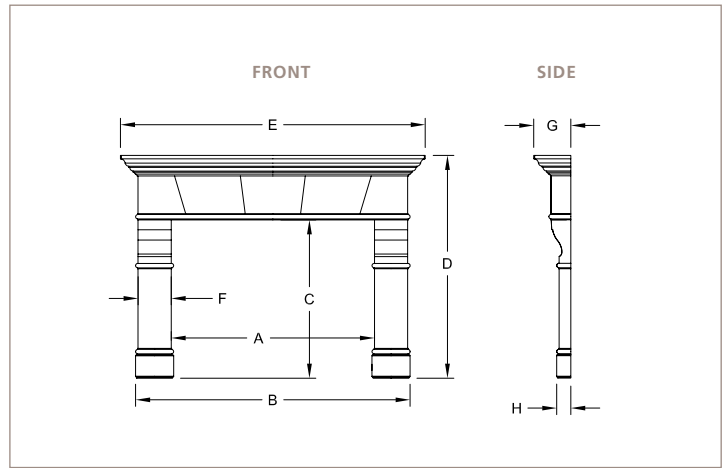
BILTMORE *with overmantel*



BILTMORE MANTEL AND CAST FACING WITH OVERMANTEL

| | S OPENING WIDTH | T OUTSIDE WIDTH | U OPENING HEIGHT | V OUTSIDE HEIGHT | X LEG WIDTH | Y SHELF DEPTH | Z LEG DEPTH |
|---------------------|-----------------------|-----------------------|------------------------|------------------------|-------------------|---------------------|-------------------|
| BILTMORE OVERMANTEL | 52" | 66" | 42" | 50" | 7" | 3-1/2" | 3" |

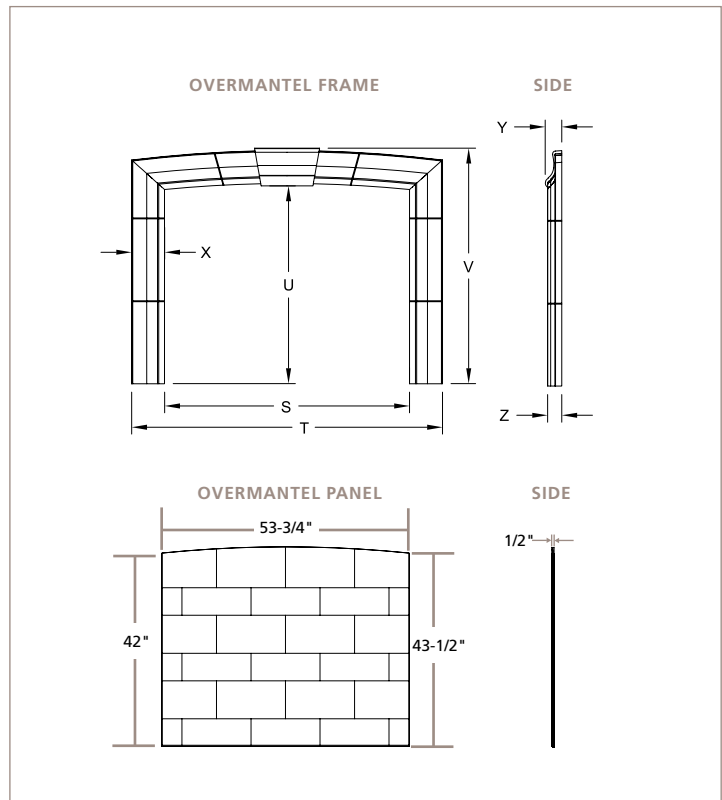
HEARST



HEARST MANTEL WITH CAST FACING

| | A OPENING WIDTH | B OUTSIDE WIDTH | C OPENING HEIGHT | D OUTSIDE HEIGHT | E TOP WIDTH | F LEG WIDTH | G SHELF DEPTH | H LEG DEPTH |
|--------|-----------------------|-----------------------|------------------------|------------------------|-------------------|-------------------|---------------------|-------------------|
| HEARST | 52" | 69-3/4" | 40-1/2" | 57" | 78" | 8-1/2" | 9-1/2" | 3-5/8" |

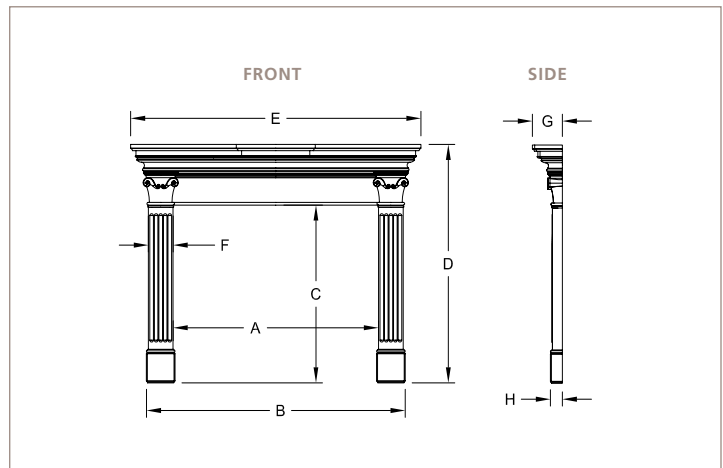
HEARST with overmantel



HEARST MANTEL AND CAST FACING WITH OVERMANTEL

| | S OPENING WIDTH | T OUTSIDE WIDTH | U OPENING HEIGHT | V OUTSIDE HEIGHT | X LEG WIDTH | Y SHELF DEPTH | Z LEG DEPTH |
|-------------------|-----------------------|-----------------------|------------------------|------------------------|-------------------|---------------------|-------------------|
| HEARST OVERMANTEL | 52" | 66" | 42" | 50" | 7" | 3-1/2" | 3" |

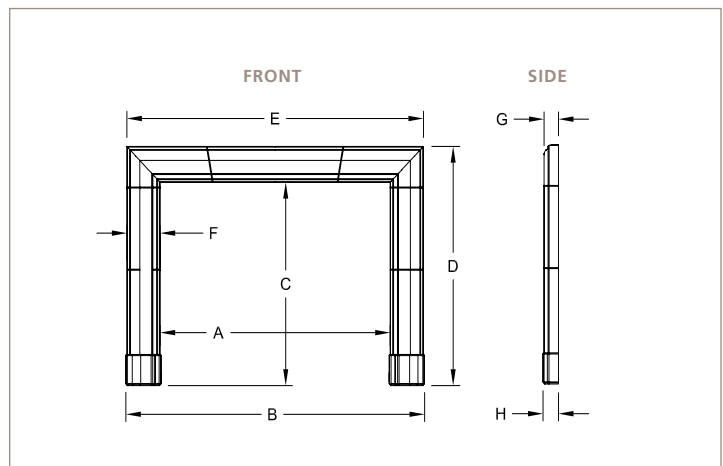
PAROS



PAROS MANTEL WITH CAST FACING

| | A OPENING WIDTH | B OUTSIDE WIDTH | C OPENING HEIGHT | D OUTSIDE HEIGHT | E TOP WIDTH | F LEG WIDTH | G SHELF DEPTH | H LEG DEPTH |
|-------|-----------------------|-----------------------|------------------------|------------------------|-------------------|-------------------|---------------------|-------------------|
| PAROS | 52" | 65-1/2" | 42-1/2" | 57" | 73-1/2" | 6-1/4" | 7-9/16" | 3" |

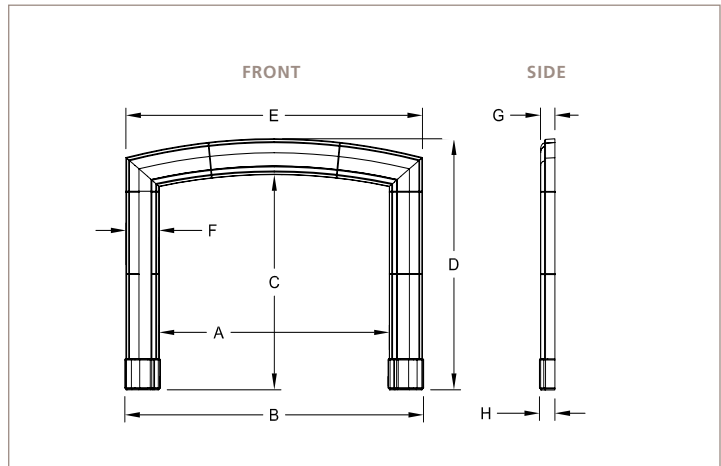
SEDONA



SEDONA MANTEL WITH CAST FACING

| | A OPENING WIDTH | B OUTSIDE WIDTH | C OPENING HEIGHT | D OUTSIDE HEIGHT | E TOP WIDTH | F LEG WIDTH | G SHELF DEPTH | H LEG DEPTH |
|--------|-----------------------|-----------------------|------------------------|------------------------|-------------------|-------------------|---------------------|-------------------|
| SEDONA | 52" | 67-1/2" | 42-1/2" | 50" | 67" | 7-1/2" | 3-1/4" | 3-1/2" |

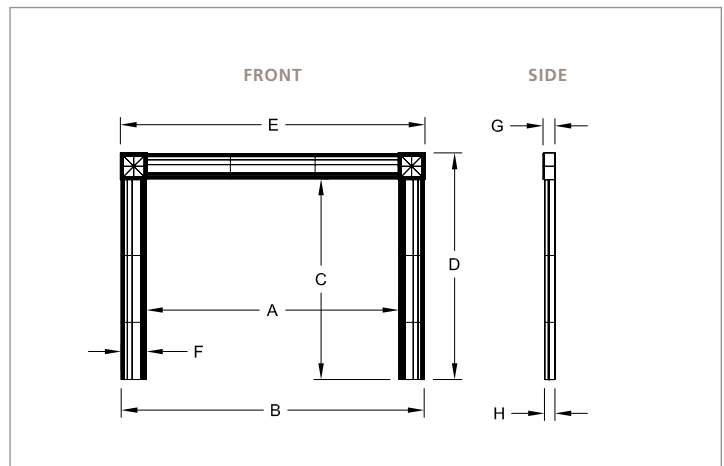
RENO



RENO MANTEL WITH CAST FACING

| | A OPENING WIDTH | B OUTSIDE WIDTH | C OPENING HEIGHT | D OUTSIDE HEIGHT | E TOP WIDTH | F LEG WIDTH | G SHELF DEPTH | H LEG DEPTH |
|------|-----------------------|-----------------------|------------------------|------------------------|-------------------|-------------------|---------------------|-------------------|
| RENO | 52" | 67-1/2" | 45 | 52-1/2" | 67 | 7-1/2" | 3-1/4" | 3-1/2" |

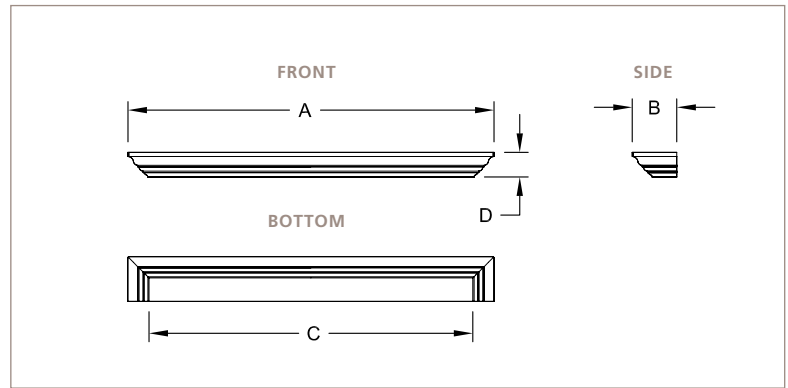
CAROLINA



CAROLINA MANTEL

| | A OPENING WIDTH | B OUTSIDE WIDTH | C OPENING HEIGHT | D OUTSIDE HEIGHT | E TOP WIDTH | F LEG WIDTH | G SHELF DEPTH | H LEG DEPTH |
|----------|-----------------------|-----------------------|------------------------|------------------------|-------------------|-------------------|---------------------|-------------------|
| CAROLINA | 42-1/2" | 51" | 33-3/4" | 38-1/8" | 51-1/4" | 4-1/4" | 2" | 1-3/4" |

ENGLEWOOD *shelf*



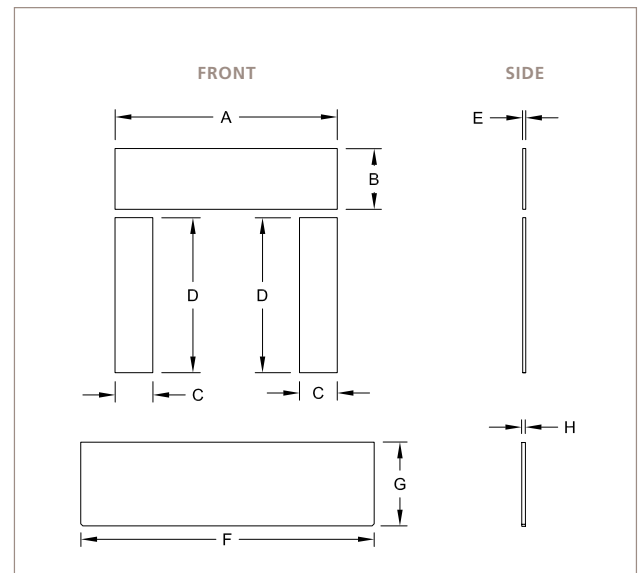
| | A SHELF WIDTH | B SHELF DEPTH | C BOTTOM DEPTH | D HEIGHT |
|-----------|---------------------|---------------------|----------------------|-------------|
| ENGLEWOOD | 78" | 9-1/2" | 69" | 5-1/4" |

CAST FACING

Our timelessly crafted facing frames the firebox with clean lines and warm cast material.

It's a perfect match in color and texture, creating a seamless flow between facing and mantel.

Every surround is ready-to-assemble and offers easy, trouble-free installation.



| | A HEADER WIDTH | B HEADER HEIGHT | C LEG WIDTH | D LEG HEIGHT | E TYPICAL THICKNESS | F HEARTH WIDTH | G HEARTH DEPTH | H HEARTH THICKNESS |
|----------|----------------------|-----------------------|-------------------|--------------------|---------------------------|----------------------|----------------------|--------------------------|
| HEARTH 1 | 53" | 14-1/2" | 10" | 37" | 3/4" | 70" | 20" | 7/8" |
| HEARTH 2 | 53" | 14-1/2" | 10" | 37" | 3/4" | 74" | 20" | 1-1/4" |

20802 KENSINGTON BLVD.
LAKEVILLE, MN 55044
800-817-8223

www.fireplaces.com

FIRESIDE
Furnishings™

A BRAND OF HEARTH & HOME TECHNOLOGIES™ INC.