



Assembly Instructions for Chair No. DC410

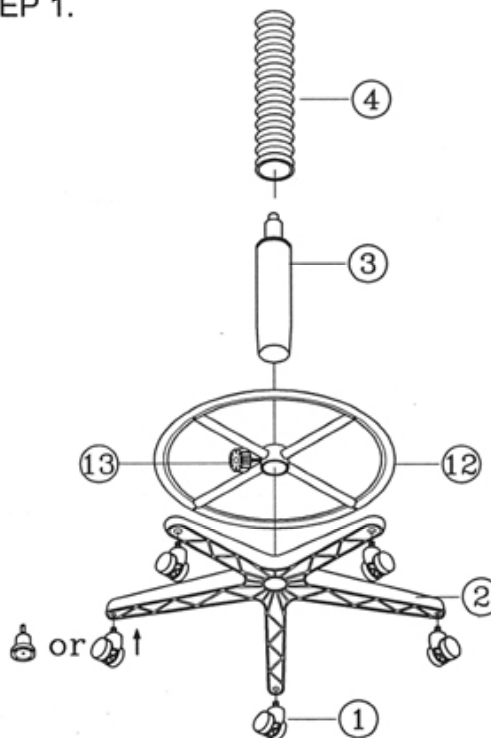
PART LIST

KEY	QTY	DESCRIPTION
1	5	Casters or Clides
2	1	Base
3	1	Gas Cylinder
4	1	Cylinder Cover
5	1	Seat Plate
6	1	Seat
7	1	Backrest + Plastic Cover
8	1	Connector Cover
9	1	Backrest Height Adjustment Knob
10	1	Backrest Stopper
11	6	Seat Plate Screws
12	1	Footrest
13	1	Knob For Footrest

PREVENTIVE MAINTENANCE AND WARNING!

- USE THIS PRODUCT ONLY FOR SEATING ONE PERSON AT A TIME.
- DO NOT USE THIS CHAIR AS A STEP STOOL / LADDER.
- DO NOT USE CHAIR UNLESS ALL BOLTS, SCREWS AND KNOBS ARE TIGHT. AT LEAST EVERY SIX MONTHS, CHECK ALL BOLTS, SCREWS AND KNOBS TO BE SURE THEY ARE TIGHT.
- IF ANY PARTS ARE MISSING, BROKEN, DAMAGED OR WORN, STOP USE OF THE PRODUCT UNTIL REPAIRS ARE MADE USING FACTORY AUTHORIZED PARTS.
- FAILURE TO FOLLOW THESE WARNINGS COULD RESULT IN SERIOUS INJURY.

STEP 1.



STEP 2.

