



Air Purifier
by **AMCOR**



**Owner's
Manual**
Model LAP-I



It is important that you read these instructions before using your new purchase and we strongly recommend that you keep them in a safe place for future reference.

Table of Contents

THANK YOU	2
A WORD ABOUT THE LAP-I	3
Safety Issues	3
FEATURES AND BENEFITS	4
PLACEMENT OF THE LAP-I AIR PURIFIER	4
HOW THE AIR PURIFIER WORKS	5
Setting the Fan Speed	5
Timer Operation	5
CLEANING AND MAINTENANCE	6-7
SPECIFICATIONS	8
WARRANTY	10

Thank You!

Thank you for purchasing an LYSOL Air Purifier.

We would like you to enjoy the many benefits this unit offers, so please read this manual carefully and take full advantage of the many advanced features that your Lysol Air Purifier offers you.

In designing these advanced products, we have listened carefully to our customers and have passed their views on to our research and development laboratories.

We wish you many years of enjoyable use.

After reading this manual, please keep it in a safe place for future reference.

Energy Saving Tips

- Do not locate the Air Purifier where furniture or other objects can obstruct the airflow.
- Follow the maintenance instructions in order to keep the filters clean

When Unpacking Your Air Purifier

Open rear door and remove cardboard insert

A Word About the LAP-I

This manual has been prepared to acquaint you with the proper installation, operation and maintenance of your LAP-I Air Purifier. We urge you to read this publication carefully and to follow the recommendations to help assure the most enjoyable and trouble free operation of your Lysol unit. When it comes to service, remember that Lysol knows its product best.

Please do not attempt to open, repair and/or clean any of the internal parts of the LAP-I Air Purifier yourself. This could result in loss of the warranty.

We would like to take this opportunity to thank you for choosing this Lysol product, and to assure you of our continuing interest in your comfort, pleasure and health.

Safety

- The LAP-I Air Purifier is safe. It is listed by ETL and it has been designed with special attention to safety. However, as with other electrical appliances, use it with care.
- Do not clean the LAP-I Air Purifier by spraying it or immersing it in water.
- Do not insert any object into the openings of the LAP-I Air Purifier.
- Disconnect the product from the electrical outlet before cleaning the unit or any of its components.
- Do not connect the LAP-I Air Purifier to an electric outlet using an extension cord. If there is no accessible outlet, a licensed electrician should install one.
- WHEN NOT IN USE STORE OUT OF REACH OF CHILDREN!

Warning

- Any service, other than regular cleaning, filter replacement, or lamp replacement should be performed by an authorized service representative. Failure to do so could result in loss of warranty.
- To reduce the risk of electric shock, this equipment has a polarized plug (one blade is wider than the other). This plug will fit in a polarized outlet only one way. If the plug does not fit fully in the outlet, reverse the plug. If it still does not fit, contact qualified personnel to install the proper outlet.

Do not alter the plug in any way.

- If the supply cord becomes damaged, it must be replaced by the manufacturer or its service agent or similarly qualified person in order to avoid a hazard.

Features and Benefits

- High performance air purifier for large areas and extended use.
- Electronic Control
- Three Speeds
- A timer that allows the user to operate the unit continuously, or at 1, 2, 4, or 8 hour increments
- Quiet Operation
- Mesh pre-filter
- Electrostatic filter captures even the smallest airborne particles
- Granulated Active Carbon Filter
- Two PCO (Photo Catalytic Oxidation) filters working in conjunction with a UV lamp to kill bacteria, viruses and reduce odors.

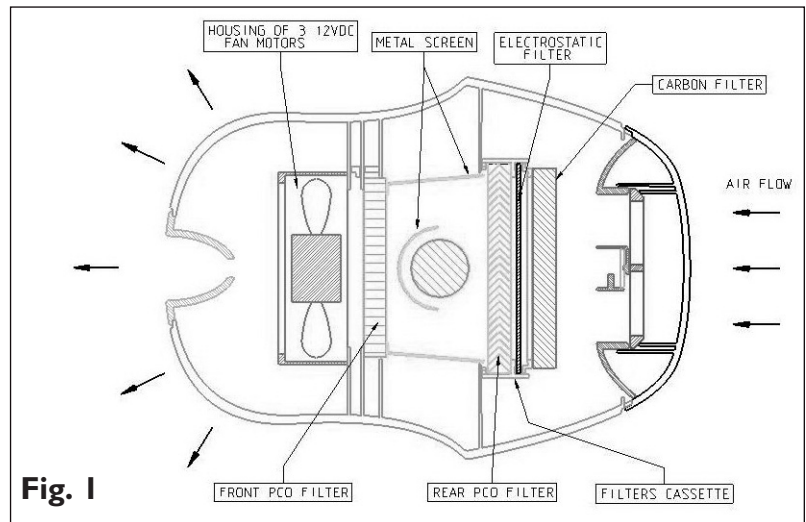
Placement of the LAP-I Air Purifier

Attention: Before deciding on a location for your LAP-I Air Purifier, carefully read all the operating instructions as well as all the following information.

1. Do not place this unit in close proximity to electronic devices that are sensitive to electrical fields.
2. Do not place this unit on any electrical device.
The LAP-I Air Purifier may be placed on the floor, nightstand, table or desk with its air outlet facing the user in order to allow proper air flow.

How the Air Purifier Works

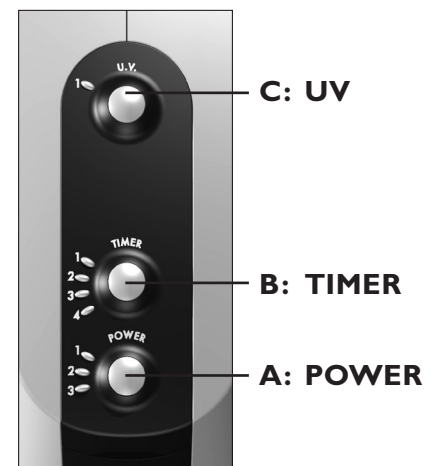
The internal construction and filtering stages through which the air passes inside the LAP-1 are illustrated in Fig. 1



Control Panel and Remote Control Operation

1. Plug the unit into a 120V mains outlet and press the POWER (A) button. The unit will start operating in the lowest speed. The UV lamp will be on. Note that these are always the initial conditions when the unit has been disconnected from the 120V mains power. If the unit is turned off while having remained connected to power, it will turn on with the same UV lamp setting as when it was turned off. The speed setting will also be kept, if the unit is turned on with the TIMER (B) button or Remote Control.

Control Panel



2. With each press on the POWER (A) button, the unit will cycle through the following sequence: Speed 1 (Lowest speed), Speed 2, Speed 3, Off, Speed 1... The selected speed will be indicated by the green light next to the "1", "2", or "3" printing.
4. With each press on the UV (C) button, the UV lamp will cycle on and off. When the UV lamp is on, the green light next to the UV (C) button is lit.
5. The Timer functions, which are controlled by the TIMER (B) button, are as follows:

- a. With each press on the TIMER (B) button, the Timer will cycle through the following sequence: 1 hr, 2 hrs, 4 hrs, 8 hrs, Timer off (but the unit keeps operating), 1 hr...

The selected Timer interval (in hours) will be indicated by the green light next to the "1", "2", "4" or "8" printing.

- b. The unit will operate for the selected Time interval (1 hr, 2 hrs, 4 hrs or 8 hrs) and then turn off the unit. After the appropriate time period has passed the green light will move to the next lower position in order to show the remaining time.

6. The Remote Control turns the unit on and off (see point 1 above). For long operating distance the Remote Control should be pointed at the area just below the POWER (A) button.

Remote Control



Cleaning and Maintenance

Always disconnect the unit from the electrical outlet prior to cleaning or servicing the unit!

Note that the servicing intervals mentioned in this section are based on air purifier use of 12 hours per day in a normal household environment. If your use of the air purifier differs from that described above, then you can adjust the servicing intervals accordingly.

1. Clean the outside of the LAP-I and the area around the air purifier with a soft damp cloth once every month.
2. Access to the LAP-I filters and serviceable components is by removing the rear cover.
To remove the rear cover, push the button above the rear cover while pulling back on the rear cover. The rear cover will pivot away from the main unit and then it can be lifted up and away. The rear cover is reinstalled by fitting the projection at the bottom of the rear cover into the slot at the back of the main unit and then closing the top of the rear cover until it snaps into place.

3. The Pre-Filter is removed from the rear cover, by sliding it out the upper edge of the rear cover. The Pre-Filter is reinstalled by sliding it back in the slot from where it was removed.

The Pre-Filter should be washed in warm soapy water or with a water spray once a month. Make sure that the Pre-Filter is completely dry before reinstalling it.

4. The Granulated Active Carbon Filter is visible looking at the open back side of the main unit. Remove the Carbon Filter by pulling on the ribbon attached to its top edge.

The Carbon Filter will thus detach the Velcro strips that hold it to the Filter Cassette. Granulated Active carbon Filter should be replaced once a year.

If the Granulated Active Carbon Filter is dusty, it can be cleaned gently with a vacuum cleaner.

Cleaning and Maintenance

5. Remove the Filters Cassette by lifting the tab above the electrostatic filter and then by pulling backwards towards the user on the upper part of this filter. Note that the Filters Cassette, the Electrostatic Filter and the Rear PCO filter make one inseparable unit.

Filters Cassette is reinstalled by fitting the bottom of the Filters Cassette into its place at the back of the main unit and then closing the top of the Filters Cassette until it snaps into place.

- a. The filters Cassette should be washed in warm soapy water once a month. Make sure that the Filters Cassette is completely dry before reinstalling it into its place at the back of the LAP-I.
 - b. While the Filters Cassette is out of the unit the interior of the unit should be wiped with a soft dry cloth.
6. The UV lamp is visible looking at the open back side of the main unit after the Filter Cassette has been removed). The UV lamp is removed by rotating it 1/4 turn and then sliding it out of the top and bottom lamp sockets.

The UV lamp is reinstalled by sliding it into the top and bottom lamp sockets and rotating it 1/4 turn. The UV lamp should be replaced once a year.

Specifications

Model Number	LAP-I
Power consumption	27W
Power supply	120V / 60Hz
Fan speeds	3
Timer	1 - 8 Hours
Recommended room size	200 sq. ft.
Weight	8.6 lbs
Dimensions	7.2"W x 27.8"H x 9.6"D

Safety:

The LAP-I Air Purifier is an ETL listed product.

Ozone:

The ozone level is much lower than permissible by UL safety standards.

LYSOL is a registered trade mark of the
Reckitt Benckiser Group of companies and is
used under license by Amcor Inc. All rights reserved.

**If you have any questions regarding the operation of the LAP-I,
please contact AMCOR at 1-866-361-2233**



**Don't forget to register your Amcor purchase online,
and view our broad selection of innovative products.**

www.amcorgroupusa.com



One Year Limited Warranty

Amcor, Inc. (“Amcor”) warrants the original retail purchaser (“Purchaser”) purchasing in the United States that the Amcor product with which this warranty is enclosed is free from defects in materials and workmanship.

Amcor’s sole obligation under this warranty is to replace, or at Amcor’s discretion, to repair, free of charge, all defective parts, for a period of one (1) year from date of original purchase. ANY IMPLIED WARRANTY OF MERCHANTABILITY IS SIMILARLY LIMITED TO ONE (1) YEAR FROM DATE OF ORIGINAL PURCHASE AND NO ACTION BASED UPON ANY IMPLIED WARRANTY OF MERCHANTABILITY OR OTHER-WISE MAY BE COMMENCED AFTER EXPIRATION OF ONE (1) YEAR FROM DATE OF ORIGINAL RETAIL PURCHASE. Some states do not allow limitations on how long an implied warranty lasts, so the above limitation may not apply to you.

The provisions of this warranty shall not apply to any product which in Amcor’s judgment has been (1) subject to misuse or neglect. (2) damaged in an accident. (3) used for a purpose for which it was not designed, or (4) repaired or altered in any way that adversely affected its performance or reliability.

To obtain warranty service, the defective product or part must be shipped or delivered to: Amcor’s authorized service center. All postage, insurance and shipping charges are the responsibility of the Purchaser and are not included in this warranty.

AMCOR NEITHER ASSUMES NOR AUTHORIZES ANY PERSON TO ASSUME FOR IT ANY OTHER (LIABILITY IN CONNECTION WITH ITS PRODUCTS, THERE ARE NO WARRANTIES WHICH EXTEND BEYOND THE DESCRIPTION ON THE FACE HEREOF. NO RESPONSIBILITY IS ASSUMED FOR INCIDENTAL OR CONSEQUENTIAL DAMAGES THAT MAY RESULT FROM THE USE OF AN AMCOR PRODUCT, NOR FOR THE DAMAGES DUE TO ACCIDENT, ABUSE, LACK OF RESPONSIBLE CARE, THE AFFIXING OF ANY UNAUTHORIZED ATTACHMENT, LOSS OF PARTS, OR USE AT A VOLTAGE OTHER THAN SPECIFIED. Some states do not allow the exclusion of limitation of incidental or consequential damages, so these limitations may not apply to you.

Amcor disclaims all liabilities for defects or damages caused by use of replacement parts obtained from or by service at any service center other than Amcor’s authorized service center.

This warranty gives you specific legal rights, and you may also have other rights which vary from state to state.

Product: **Lysol Air Purifier**

Model: LAP-I

Date Purchased: _____ Production Code: _____

QUESTIONS? Call 866-361-2233

www.amcorgroupusa.com

07/2008

9/13/29/20

Dear Customer: Please keep this warranty for your record.
DO NOT return it.