

# CA1750 Mount Adapter Installation Instructions C209M (4/98)



## 1.0 DESCRIPTION

The CA1750 Mount Adapter is used when installing a bottom-mount camera on a BS1750, CM1750, CM1750S, or TB1750 mount only when the mount is attached to a ceiling. Use of the adapter, in this situation, will allow the camera to be mounted in its correct orientation, rather than being inverted.

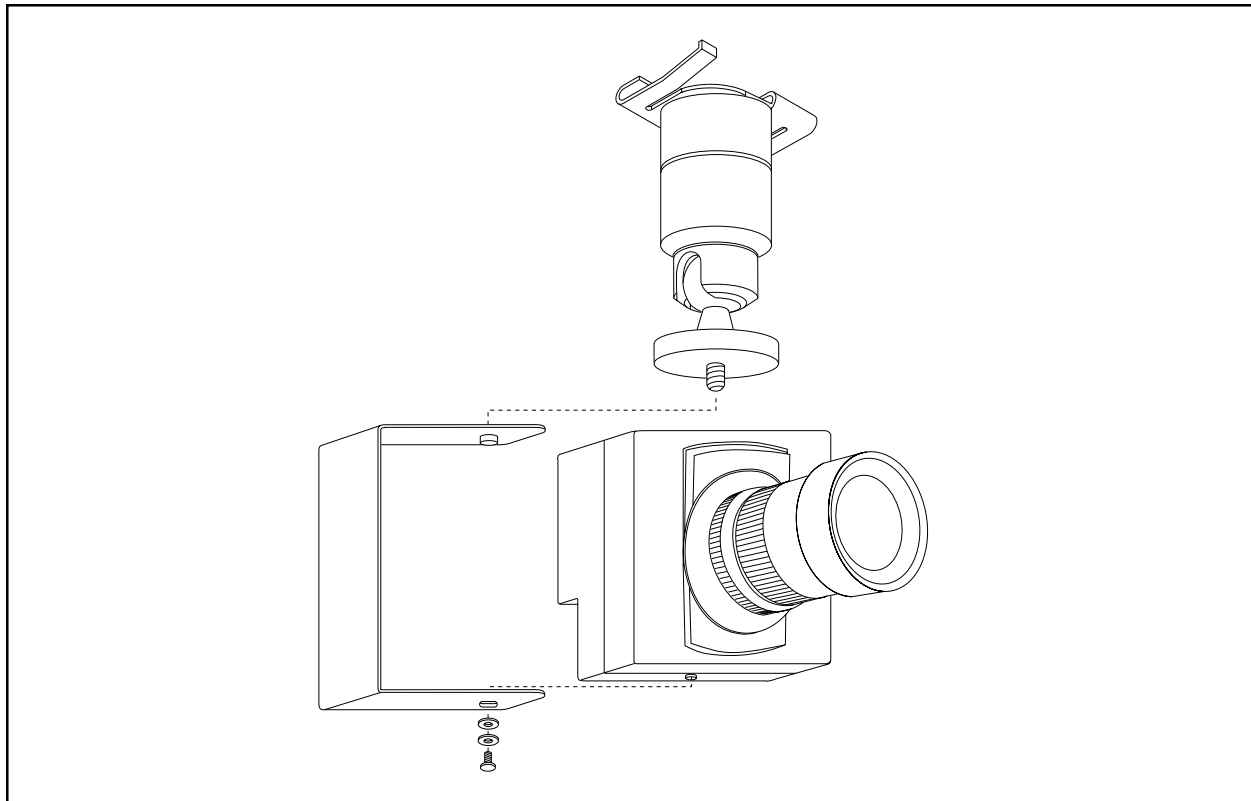
## 2.0 INSTALLATION



**CAUTION:** *Be careful not to damage the camera by screwing the adapter too far onto the threaded stud. As soon as the stud threads appear through the adapter captive nut, tighten the knurled nut.*

To install the adapter (refer to Figure 1):

1. Place the camera inside the adapter and align the camera mount boss with the elongated hole in the adapter.
2. Attach the camera to the adapter with the provided 1/4-20 bolt and washers.
3. Attach the adapter with camera to the 1/4-20 threaded stud on the installed mount swivel head. Tighten the knurled nut on the mount against the adapter.



**Figure 1.** CA1750 Mount Adapter

---

---

### 3.0 WARRANTY AND RETURN INFORMATION

#### WARRANTY

Pelco will repair or replace, without charge, any merchandise proved defective in material or workmanship for a period of one year after the date of shipment. Exceptions to this warranty are as noted below:

- Three years on Genex™ Series multiplexers.
- Two years on all standard motorized and fixed focal length lenses.
- Two years on Legacy®, Intercept®, PV1000 Series, CM6700/CM8500/CM9500/CM9750/CM9760 Matrix, Spectra™, DF5 Series and DF8 Fixed Dome products.
- Two years on WW5700 series window wiper (excluding wiper blades).
- Two years on cameras.
- Six months on all pan and tilts, scanners or preset lenses used in continuous motion applications (that is, preset scan, tour and auto scan modes).

Pelco will warranty all replacement parts and repairs for 90 days from the date of Pelco shipment. All goods requiring warranty repair shall be sent freight prepaid to Pelco, Clovis, California. Repairs made necessary by reason of misuse, alteration, normal wear, or accident are not covered under this warranty.

Pelco assumes no risk and shall be subject to no liability for damages or loss resulting from the specific use or application made of the Products. Pelco's liability for any claim, whether based on breach of contract, negligence, infringement of any rights of any party or product liability, relating to the Products shall not exceed the price paid by the Dealer to Pelco for such Products. In no event will Pelco be liable for any special, incidental or consequential damages (including loss of use, loss of profit and claims of third parties) however caused, whether by the negligence of Pelco or otherwise.

The above warranty provides the Dealer with specific legal rights. The Dealer may also have additional rights, which are subject to variation from state to state.

If a warranty repair is required, the Dealer must contact Pelco at (800) 289-9100 or (559) 292-1981 to obtain a Repair Authorization number (RA), and provide the following information:

1. Model and serial number
2. Date of shipment, P.O. number, Sales Order number, or Pelco invoice number
3. Details of the defect or problem

If there is a dispute regarding the warranty of a product which does not fall under the warranty conditions stated above, please include a written explanation with the product when returned.

Ship freight prepaid to: Pelco  
300 West Pontiac Way  
Clovis, CA 93612-5699

Method of return shipment shall be the same or equal to the method by which the item was received by Pelco.

#### RETURNS

In order to expedite parts returned to the factory for repair or credit, please call the factory at (800) 289-9100 or (559) 292-1981 to obtain an authorization number (CA number if returned for credit, and RA number if returned for repair). Goods returned for repair or credit should be clearly identified with the assigned CA/RA number and freight should be prepaid. All merchandise returned for credit may be subject to a 20% restocking and refurbishing charge.

Ship freight prepaid to: Pelco  
300 West Pontiac Way  
Clovis, CA 93612-5699

®Pelco and the Pelco logo are registered trademarks of Pelco.  
©Copyright 1998, Pelco. All rights reserved.