

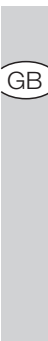
User manual

Welcome to the world of Electrolux

Thank you for choosing a first class product from Electrolux, which hopefully will provide you with lots of pleasure in the future. The Electrolux ambition is to offer a wide variety of quality products that make your life more comfortable. You find some examples on the cover in this manual. Please take a few minutes to study this manual so that you can take advantage of the benefits of your new machine. We promise that it will provide a superior user experience delivering ease of mind. Good luck!

Contents

Safety warnings 57
Description of the Appliance 59
Control Panel 60
Maintenance and Care 62
Special accessories 66
Something Not Working 66
Installation 67



The following symbols are used in this user manual:



Important information concerning your personal safety and information on how to avoid damaging the appliance.



General information and tips.



Environmental information.



Safety warnings

- Any installation work must be undertaken by a qualified electrician or a competent person.
- This hood must be installed in accordance with the installation instructions and all measurements must be adhered to.
- When used as an extractor unit, the hood must be fitted with a hose having preferably the same diameter as the outlet hole.

Attention: The hose is not supplied and must be purchased separately.



- The minimum distance between the supporting surface for the cooking vessels on the hob and the lowest part of the range hood must be not less than **65cm** from electric cookers and from gas or mixed cookers. If the instructions for installation for the gas hob specify a greater distance, this must be adhered to.
- Before any cleaning or maintenance operation, disconnect hood from the mains by removing the plug or disconnecting the mains electrical supply. Always wear work gloves for all installation and maintenance operations.
- The appliance is not intended for use by children or persons with impaired physical, sensorial or mental faculties, or if lacking in experience or knowledge, unless they are under supervision or have been trained in the use of the appliance by a person responsible for their safety.
- This appliance is designed to be operated by adults, children should be monitored to ensure that they do not play with the appliance.
- This appliance is designed to be operated by adults. Children should not be allowed to tamper with the controls or play with the appliance.
- Never use the hood without effectively mounted grating!
- The hood must NEVER be used as a support surface unless specifically indicated.
- The premises where the appliance is installed must be sufficiently ventilated, when the kitchen hood is used together with other gas combustion devices or other fuels.
- The ducting system for this appliance must not be connected to any existing ventilation system which is being used for any other purpose such as discharging exhaust fumes from appliances burning gas or other fuels.
- The flaming of foods beneath the hood itself is severely prohibited.
- The use of exposed flames is detrimental to the filters and may cause a fire risk, and must therefore be avoided in all circumstances.
- Any frying must be done with care in order to make sure that the oil does not overheat and ignite.
- Accessible parts may become hot when used with cooking appliances.
- With regards to the technical and

safety measures to be adopted for fume discharging it is important to closely follow the regulations provided by the authorised authorities.


- The hood must be regularly cleaned on both the inside and outside (AT LEAST ONCE A MONTH).
- This must be completed in accordance with the maintenance instructions provided in this manual). Failure to follow the instructions provided in this user guide regarding the cleaning of the hood and filters will lead to the risk of fires.
- Do not use or leave the hood without the lamp correctly mounted due to the possible risk of electric shocks.
- We will not accept any responsibility for any faults, damage or fires caused to the appliance as a result of the non-observance of the instructions included in this manual.



This appliance is marked according to the European directive 2002/96/EC on Waste Electrical and Electronic Equipment (WEEE).

By ensuring this product is disposed of correctly, you will help prevent potential negative consequences for the environment and human health, which could otherwise be caused by inappropriate waste handling of this product.



The symbol  on the product, or on the documents accompanying the product, indicates that this appliance may not be treated as household waste. Instead it should be taken to the appropriate collection point for the recycling of electrical and electronic equipment.

Disposal must be carried out in accordance with local environmental regulations for waste disposal.

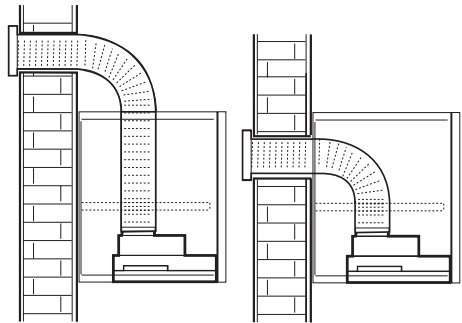
For more detailed information about treatment, recovery and recycling of this product, please contact your local authority.

Description of the Appliance

- The cooker hood is designed to extract unpleasant odours from the kitchen, it will not extract steam.
- The hood is supplied as an extractor unit and can also be used with a recirculation mode by fitting a charcoal filter.
- You will need an original charcoal filter for the recirculation mode. (See Special Accessories).

Extraction mode

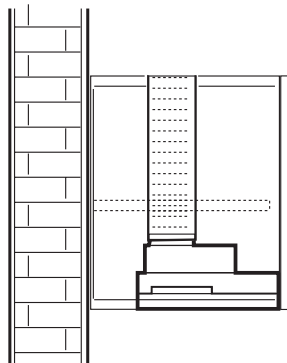
- In this mode fumes are extracted to the outside via a **hose** connected to the **coupling ring**.
- In order to obtain the best performance the hose should have a diameter equal to the outlet hole.



Extraction mode

Recirculation mode

- The air is filtered through a **charcoal filter** and returned to the kitchen.
- You will need an original charcoal filter for the recirculation mode. (See Special Accessories).



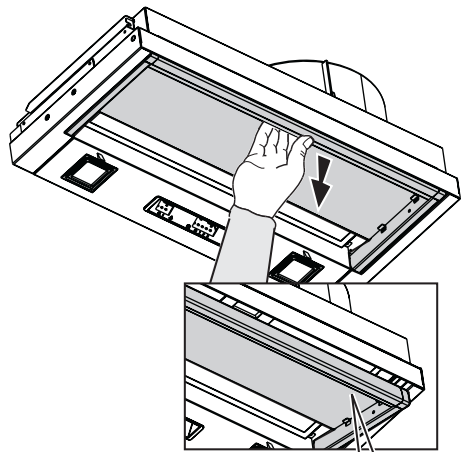
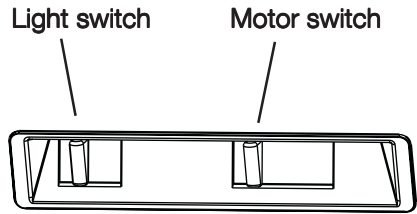
Recirculation mode

Control Panel

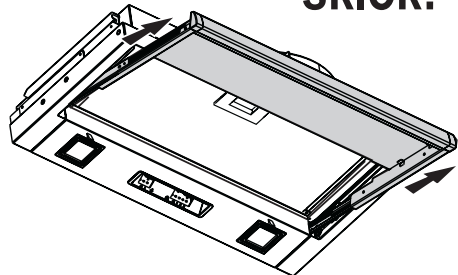
- Best results are obtained by using a low speed for normal conditions and a high speed when odours are more concentrated.
Turn the hood on a few minutes before you start cooking.
The hood should be left on after cooking for about 15 minutes or until all the odours have disappeared.
- The controls are positioned near the lights:
- **the light switch** switches the hood lamp on and off
- **the motor switch** switches the motor on and off, enabling you to select one of the three different speeds.
The pull-out tray must be opened for cooker hood operation (suction) to begin.

Opening the pull-out tray

- Pull the tray downwards.
- Slide it out until it reaches its stop limit.



sklok!



Maintenance and Care

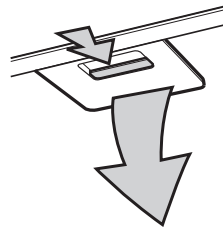


- Before performing any maintenance operation, isolate the hood from the electrical supply by switching off at the connector and removing the connector fuse.

Or if the appliance has been connected through a plug and socket, then the plug must be removed from the socket.

Metal grease filter

- The purpose of the grease filters is to absorb grease particles which form during cooking and it **must** always be used, either in the external extraction or internal re-circulation function.



Attention: the metal grease filters must be removed and washed, either by hand or in the dishwasher, every four weeks.

Removing the metal grease filter

- Use the spring handle and remove the filter downward.

Hand washing

Soak grease filters for about one hour in hot water with a grease-loosening cleaner, then rinse off thoroughly with hot water. Repeat the process if necessary. Refit the grease filters when they are dry.

Dishwasher

Place grease filters in the dishwasher. Select most powerful washing programme and highest temperature, at least 65°C. Repeat the process. Refit the grease filters when they are dry.



When washing the metal grease filter in the dishwasher a slight discolouration of the filter can occur, this does not have any impact on its performance.



- Never use corrosive, abrasive or flammable cleaning products or products containing bleach.

Charcoal filter

- The charcoal filter should only be used if you want to use the hood in recirculation mode.
- To do this you will need an original charcoal filter (available from your local Service Force Centre).
- **Replacing the charcoal filter**



The charcoal filter cannot be washed nor regenerated.

The charcoal filter should be replaced every 4 months under normal use.

Replacement filters are available from your local Service Force Centre.

- **Fitting**

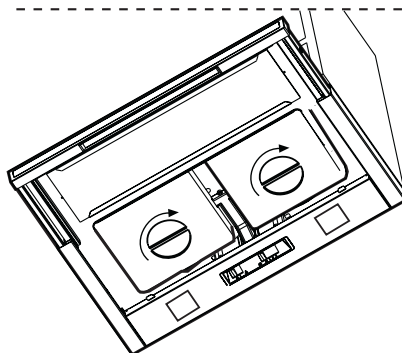
Pull out the drawer (see paragraph “Control Panel - Opening the pull-out tray”), remove the grease filter (see paragraph “Maintenance and Care - Metal grease filter”).

Fit the charcoal filter so that it covers the grilles protecting the hood motor and fan, turn the carbon filter handle in a clockwise direction.

Note: Two charcoal filters are required for cooker hoods with two motors and one charcoal filter for cooker hoods with one motor.

Refit the grease filters.

- **To remove** proceed in the reverse order.



- Always specify the hood model number, serial number and product number code when ordering replacement filters. This information is shown on the rating plate located on the inside of the unit.
- The charcoal filter can be ordered from your local Service Force Centre.

Warning



- Failure to observe the instructions on cleaning the unit and changing the filters will cause a fire hazard. You are therefore strongly recommended to follow these instructions.
- The manufacturer declines all responsibility for any damage to the motor or any fire damage linked to inappropriate maintenance or failure to observe the above safety recommendations.

Changing the light bulb(s)



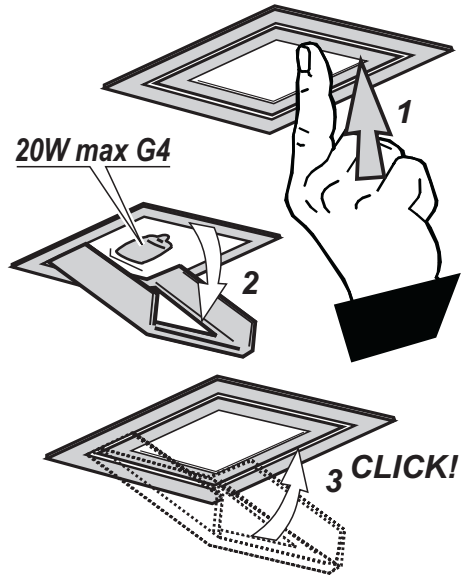
- **Disconnect the cooker hood from the mains supply.**
- **Prior to touching the light bulbs ensure they have cooled down.**
- Press and release the light cover to open.
- Replace the damaged light bulb. Only use max. 20W halogen light bulbs (G4-12V), and make sure you do not touch them with your bare hands.
- Close the light cover (push-fit) again.



In case of accidental opening of the light cover, it should first be opened completely before closing.



- If the light does not come on, make sure the bulb has been inserted in correctly before contacting your local Service Force Centre.



Cleaning the hood



- Clean the outside of the hood using a damp cloth and a solution of water and mild washing up liquid.
- Never use corrosive, abrasive or flammable cleaning products or products containing bleach.
- Never insert pointed objects in the motor's protective grid.
- Only ever clean the switch panel and filter grill using a damp cloth and mild washing up liquid.
- Clean all the plastic parts with a soft cloth soaked in warm water and neutral soap.
- It is extremely important to clean the unit and change the filters at the recommended intervals. Failure to do so will cause grease deposits to build up that could constitute a fire hazard.

Special accessories

Charcoal filter Type 303



Model EFP 60520 :

2 charcoal filters are necessary

Something Not Working

If your appliance fails to work properly please carry out the following checks.

Symptom	Solution
The cooker hood will not start...	Check that: The hood is connected to the electricity supply. Check that a fan speed has been selected.
The cooker hood is not working	Check that: The fan speed is set high enough for the task. The grease filters are clean. The kitchen is adequately vented to allow the entry of fresh air. If set up for recirculation, check that the charcoal filter is still effective. If set up for extraction, check that the ducting and outlets are not blocked.
The cooker hood has switched off during operation...	The safety cut-out device has been tripped. Turn off the hob and then wait for the device to reset. If the hood has been installed below the heights indicated in the installation instructions the motor will cut-out frequently which will damage the hood.

If after all these checks, the problem persists, contact your local Service Centre, quoting the model number, serial number and product number code.

Please note that it will be necessary to provide proof of purchase for any in-guarantee service calls.

In-guarantee customers should ensure that the above checks have been made as the engineer will make a charge if the fault is not a mechanical or electrical breakdown.

Installation

Technical Details

	EFP 60310	EFP 60520
Dimensions (in cm):		
Height:	20,8	20,8
Height (with opened drawer)	24	24
Width:	55,8	55,8
Depth:	27,6	27,6
Max. absorb. power:	165 W	290 W
Motor:	125 W	2 x 125 W
Lighting:	2 x 20 W (12V-G4)	2 x 20 W (12V-G4)
Length of the cable:	150 cm	150 cm
Electrical connection:	220-230 V	220-230 V
Fuse rating:	5At	5At

Mounting accessories included

1 coupling ring
4 brackets
2 screwdriver inserts (to tighten torx screws)
1 spacer
1 Aesthetic cover
2 screws 4 x 8 mm
4 screws 4,5 x 16
3 screws 3,5 x 9,5
2 screws 3 x 9

Electrical connection



Safety warnings for the electrician

The mains power supply must correspond to the rating indicated on the plate situated inside the hood. If provided with a plug connect the hood to a socket in compliance with current regulations and positioned in an accessible area. If it not fitted with a plug (direct mains connection) or if the plug is not located in an accessible area apply a double pole switch in accordance with standards which assures the complete disconnection of the mains under conditions relating to over-current category III, in accordance with installation instructions.



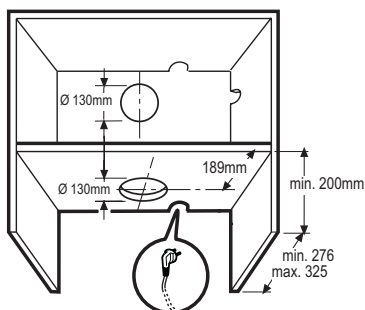
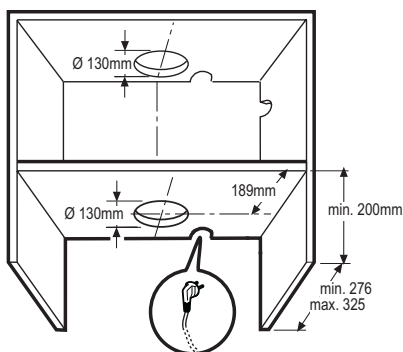
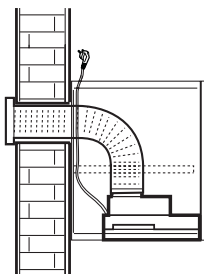
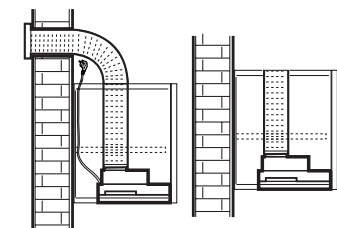
Warning! Before re-connecting the hood circuit to the mains supply and checking the efficient function, always check that the mains cable is correctly assembled.

Installation



Warning! Do not connect the appliance to the mains until the installation is fully complete.

Preparing the cabinet



First, check the dimensions given in the diagrams to make sure the cabinet is suitable for the cooker hood.

Make the holes required for the power supply cable and the exhaust hose.

Make the same type of holes in the top of the cabinet.



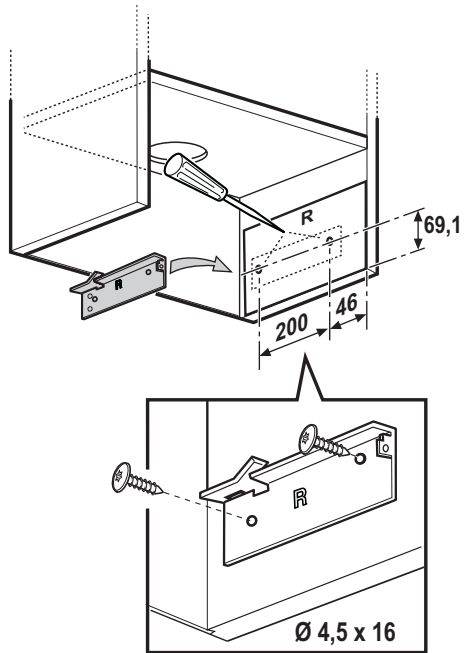
The cooker hood may be installed in a wider cabinet if the special Installation KIT is used (see "Special accessories" chapter).

Contact your nearest Authorised Assistance Centre to confirm the necessary details.

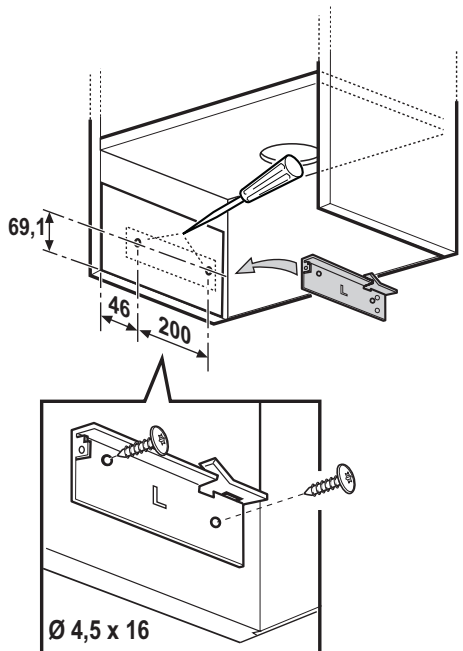
Fixing the brackets to the cabinet

- Apply the template to the inner right-hand side of the cabinet.
- The lower edge at the front of the template should be aligned with the lower edge at the front of the cabinet (without taking any doors into account).
- Mark the two fixing points.
- Fix bracket **R** to the cabinet using 2 screws.

Note! To achieve the correct position, fasten the screws through the smallest holes in the bracket.

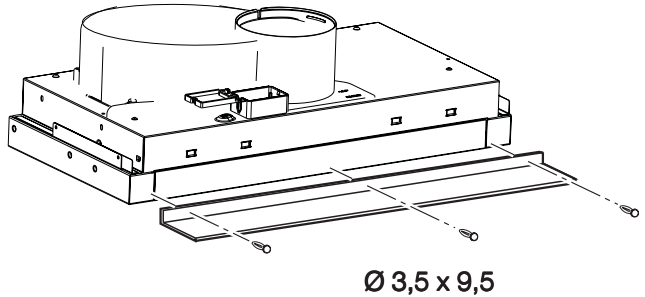
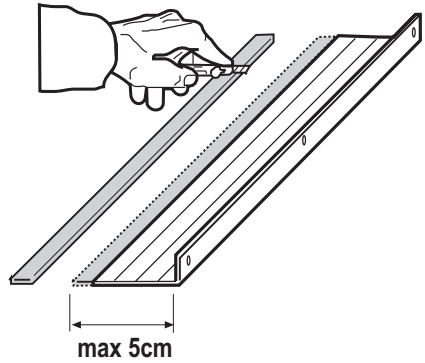


- Repeat this procedure on the inner left-hand side of the cabinet (Bracket **L**).



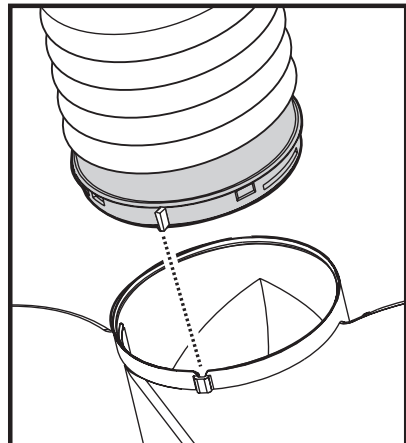
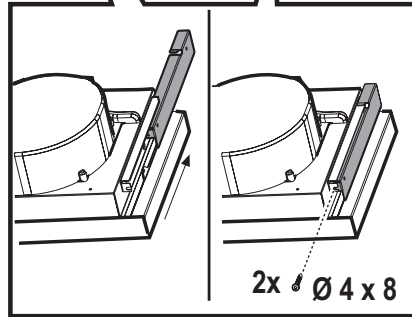
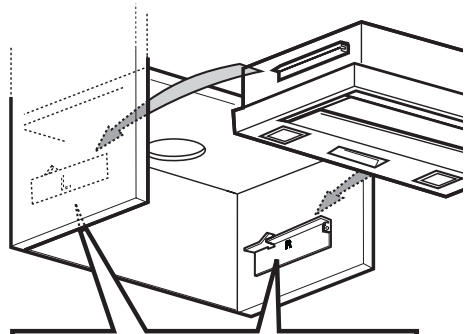
Before installing the hood

- When using cabinets with a greater depth measurement than the cooker hood, a spacer may be installed.
- The spacer can compensate for differences in depth measurement of up to 5 cm.
- Measure the difference between the cabinet depth and the hood depth (see chapter "Technical details") and use a cutter to remove any excess.
- Fix the spacer to the back of the hood using 3 snap-fastening clips.



Fitting the hood inside the cabinet

- Position the hood inside the cabinet, by sliding its brackets over the brackets fixed to the cabinet until the stop limit is reached.
- Run the power supply cable through the special slots in the cabinet.
- Secure the hood, using 2 screws (one per side) to fix the brackets together.
- If the hood is not perfectly in line with the lower edge of the cabinets at the side, its position can be adjusted by means of the internal fixing screws (see chapter "**Fixing the brackets to the cooker hood**" on the previous page).
- Fit the connection flange to the exhaust hose, which should have a suitable length and diameter for channelling fumes outside (Ducted version), or to the top of the cabinet (Filter version).
- Fix the connection flange to the exhaust outlet of the hood (snap-fastening).
When fastened correctly, the indicator on the flange should be aligned with the corresponding notch in the exhaust outlet.
- Complete the connection at the other end of the exhaust hose.
- Filter version only: Fit the charcoal filter(s) (see chapter "**Maintenance and Care - Charcoal filter**").
- Fit the grease filter(s) (see chapter "**Maintenance and Care - Metal grease filter**").
- Connect the hood to the electricity supply.

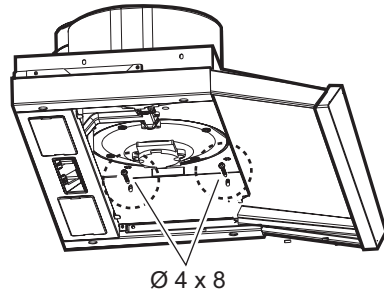


Adjusting the cooker hood

The position of the cooker hood may be adjusted.

Once the installation procedure is complete, you will find it useful to perform small adjustments with regard to the position of the hood inside the cabinet.

- Open the pull-out tray (see chapter "**Control Panel - Opening the pull-out tray**").
- Remove the grease filter (see chapter "**Maintenance and Care - Metal grease filter**").
- Loosen **BUT DO NOT COMPLETELY REMOVE** the internal screws fixing the right and left-hand adjustment brackets in place.
- Adjust the position of the hood and re-tighten the screws.



Installing the buffer strip

Apply the buffer strip above the cooker hood and fix it in place using 2 screws, working from inside the hood.

