

BLs 3.5



Sheet Metal Shear



SERVICE

Tool service and maintenance must be performed only by qualified repair personnel.

When servicing a tool, only use identical replacement parts available from FEIN.

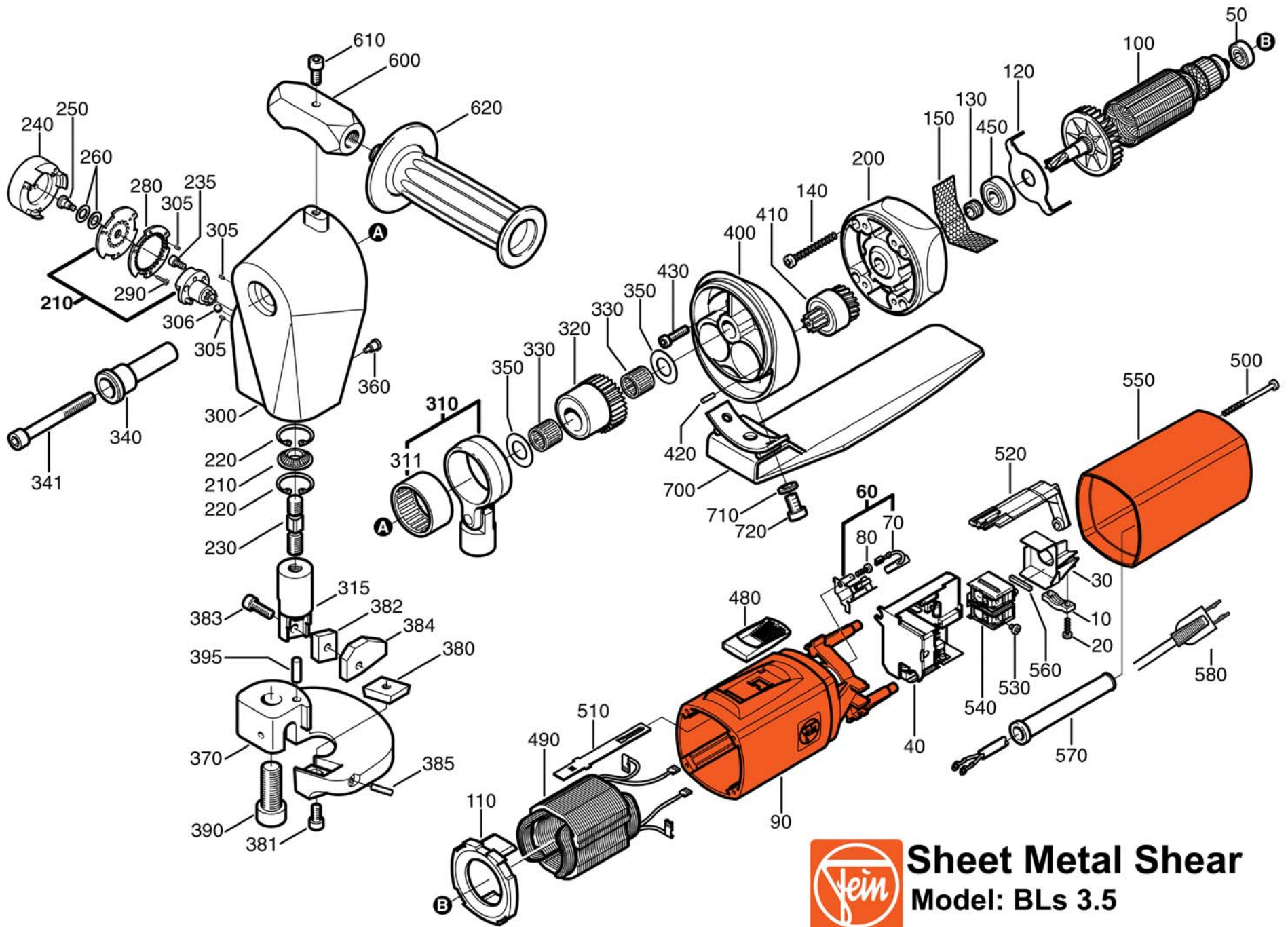
Repairs on FEIN Power Tools required the use of special tools (pulling devices and bearing press). Authorized repair centers have trained repair technicians and equipment necessary to perform these repairs. Service or repairs performed by unqualified persons could result in operator injury.

For the location of the repair center near you, please call 1-800-441-9878. Monday thru Friday, 9AM to 5PM EST. Or, look on our web site at www.feinus.com and follow the link to "Authorized Warranty Repair Centers"

**FEIN Power Tools
1030 Alcon Street
Pittsburgh, PA 15220**

Phone: 412-922-8886 Fax: 412-922-8767 Toll Free: 1-800-441-9878

April 15, 2004



Sheet Metal Shear
Model: BLs 3.5

Fein Power Tools

BLs 3.5 Parts List

<u>Item</u>	<u>Item Number</u>	<u>Description</u>	<u>Reqd.</u>	
10	3-24-31-021-00-7	CABLE CLAMP	1	_____
20	4-30-70-001-00-6	SCREW	2	_____
30	3-24-31-040-00-6	STRAIN RELIEF	1	_____
40	3-07-62-216-99-6	ELECTRONIC	1	_____
50	4-17-01-001-17-2	BALL BEARING	1	_____
60	3-07-12-088-01-3	BRUSH HOLDER	2	_____
70	3-07-11-136-00-2	CARBON BRUSH	2	_____
80	4-30-70-018-00-9	SCREW	2	_____
90	3-19-01-114-01-4	MOTOR HOUSING	1	_____
100	5-3-273-002-11-0	ARMATURE	1	_____
110	3-14-28-118-00-7	AIR CONDUCTING RING	1	_____
120	3-24-16-098-00-5	COVER PLATE	1	_____
130	3-26-12-123-00-8	PACKING RING	1	_____
140	4-30-70-007-00-2	SCREW	4	_____
150	3-29-01-046-00-6	SCREEN	1	_____
200	3-15-06-352-00-3	INTERMEDIATE BEARING	1	_____
210	3-13-08-148-01-2	BEVEL GEAR 12/21 T	1	_____
220	4-26-44-016-00-5	WASHER	2	_____
230	3-13-08-133-00-7	BOLT	1	_____
235	4-30-35-004-04-1	SCREW	1	_____
240	3-13-08-140-00-0	ROTARY KNOB	1	_____
250	3-13-08-139-00-8	THREADED BOLT	1	_____
260	3-13-08-142-00-2	SPACER DISC	2	_____
270	3-13-08-126-00-3	WASHER	1	_____
280	3-13-08-125-00-0	INTERNAL GEARED WHEEL	1	_____
290	4-30-70-025-00-3	SCREW	3	_____
300	3-13-08-131-00-0	HOUSING	1	_____
305	4-02-38-071-00-2	CLAMPING SLEEVE	3	_____
306	3-13-08-132-00-3	BALL	1	_____
310	3-13-08-129-01-8	CONNECTING ROD/ NEEDLE BEARING	1	_____
311	4-17-05-031-00-1	NEEDLE BEARING	1	_____
315	3-13-08-135-00-9	PLUNGER	1	_____
320	3-13-08-128-01-4	ECCENTRIC SLEEVE 33T	1	_____
330	4-17-15-048-00-3	NEEDLE BEARING	2	_____
340	3-13-08-130-00-1	SHAFT	1	_____
341	4-30-35-141-08-2	SCREW	1	_____
350	3-13-08-141-00-9	WASHER	2	_____
360	3-21-31-037-00-5	LUBRICATION NIPPLE	1	_____
370	3-13-08-137-00-6	SHOE	1	_____
380	3-13-08-136-00-2	BLADE	1	_____
381	4-30-35-029-06-1	SCREW	2	_____
382	3-13-08-146-00-1	BLADE	1	_____
383	4-30-35-110-06-4	SCREW	1	_____
384	3-24-23-006-00-2	HOLDER	1	_____
385	4-30-58-020-04-0	THREADED PIN	1	_____
390	3-13-08-138-00-4	SCREW	1	_____

395	4-02-42-046-00-3	CYLINDRICAL PIN	1	_____
400	3-13-08-124-00-6	END PLATE	1	_____
410	3-13-08-127-01-6	SPUR GEAR 24/8	1	_____
420	4-02-42-053-00-7	CYLINDRICAL PIN	1	_____
430	4-30-64-022-05-7	SCREW	4	_____
450	4-17-01-210-03-7	BALL BEARING	1	_____
480	3-28-05-156-00-8	SLIDING SWITCH	1	_____
490	5-1-273-001-11-5	FIELD COIL	1	_____
500	4-30-70-017-00-1	SCREW	2	_____
510	3-28-16-055-00-0	SWITCH BAR	1	_____
520	3-28-16-052-00-4	SWITCH ROD	1	_____
530	4-30-03-013-99-1	SCREW	2	_____
540	3-07-01-218-00-3	ON/OFF SWITCH	1	_____
550	3-12-01-100-00-9	COVER	1	_____
560	3-14-15-082-00-4	BOLSTER	1	_____
570	3-14-13-007-00-7	PROTECTING SLEEVE	1	_____
580	3-07-07-384-01-1	CABLE	1	_____
600	3-02-40-234-00-2	HOLDER	1	_____
610	4-30-35-089-06-5	SCREW	1	_____
620	3-21-19-032-00-2	HANDLE	1	_____
700	3-02-29-306-00-2	CHIP DEFLECTOR	1	_____
710	4-24-01-018-06-9	WASHER	2	_____
720	4-30-33-083-06-6	SCREW	2	_____