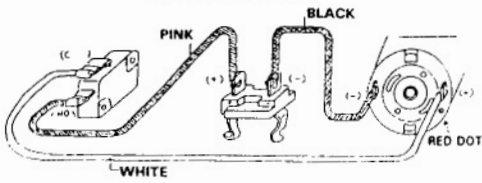




3-3/8" CORDLESS CIRCULAR SAW MODEL 5093DWA

WIRING DIAGRAM



IMPORTANT! - To assure product SAFETY and RELIABILITY, repairs, maintenance or adjustments should be performed by MAKITA Service Centers, or other qualified service organizations. Always use MAKITA replacement parts.

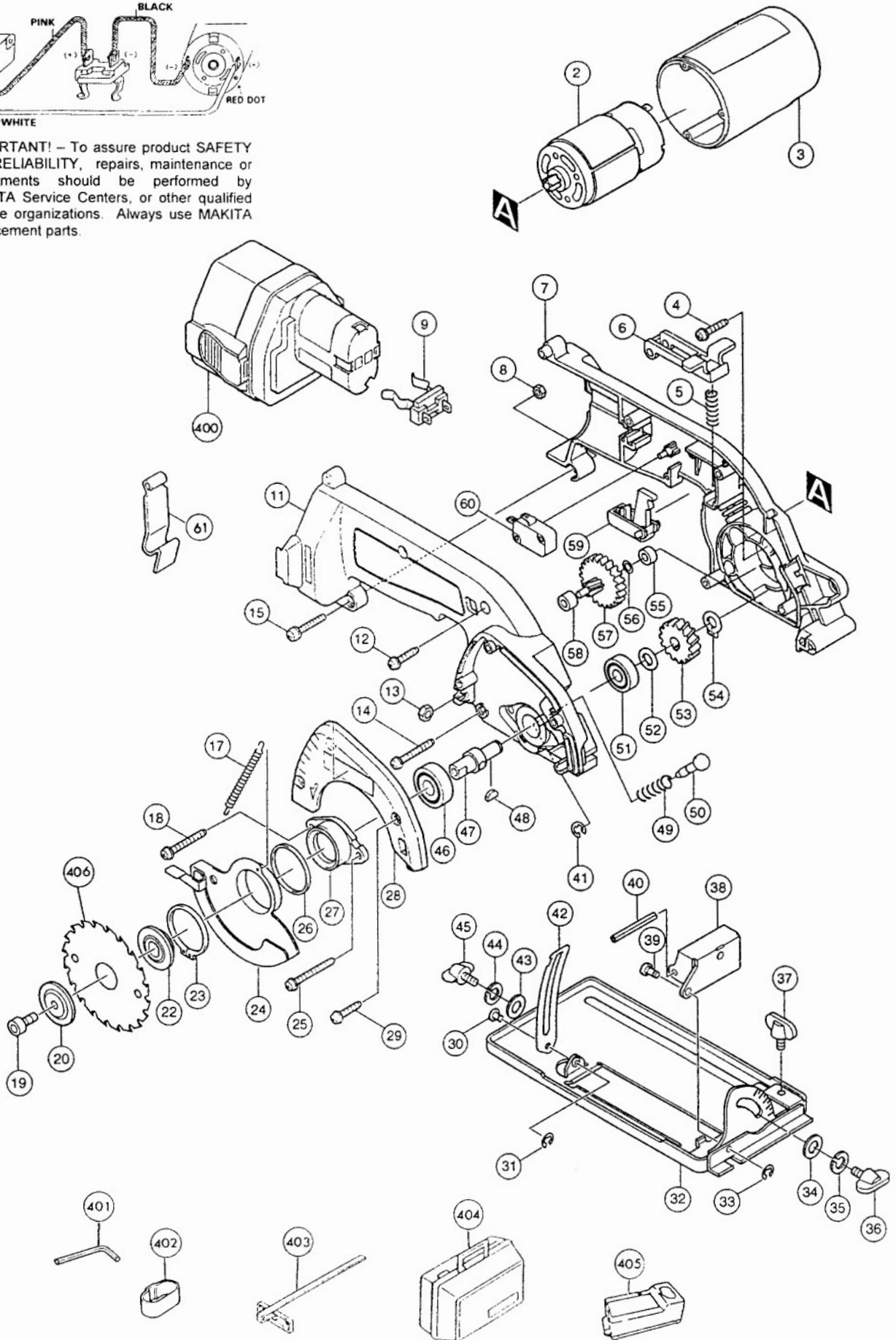


Fig.	Part No.	Qty. Used	Description	Fig.	Part No.	Qty. Used	Description
2	629688-3	1	DC MOTOR 12V (INCL. SPUR GEAR 15, 221882-9)	37	251899-8	1	SCREW M5X10
3	416142-4	1	MOTOR HOUSING	38	344594-8	1	ANGULAR GUIDE
4	265995-6	3	TAPPING SCREW 4X18	39	268028-6	1	PIN 5
5	233024-3	1	COMPRESSION SPRING 4	40	951131-7	1	SPRING PIN 4-40
6	415680-3	1	LOCK OFF LEVER	41	961011-9	1	STOP RING E-4
7	182850-6	1	HOUSING SET (INCL. FIG. 11)	42	344592-2	1	DEPTH GUIDE
8	931102-0	1	HEX NUT M4	43	941101-4	1	FLAT WASHER 5
9	643909-9	1	BATTERY HOLDER	44	942101-7	1	SPRING WASHER 5
11	182850-6	1	HOUSING SET (INCL. FIG. 7)	45	251899-8	1	SCREW M5X10
12	265995-6	3	TAPPING SCREW 4X18	46	211061-7	1	BALL BEARING 6000LLB
13	931202-6	1	HEX NUT M5	47	322810-8	1	SPINDLE
14	266050-7	1	TAPPING SCREW 4X30	48	254031-3	1	WOODRUFF KEY 3
15	911148-2	1	PAN HEAD SCREW M4X25	49	231240-1	1	COMPRESSION SPRING 7
17	231802-5	1	TENSION SPRING	50	268002-4	1	PIN 5
18	266045-0	1	TAPPING SCREW 4X20	51	211033-2	1	BALL BEARING 608LB
19	922212-4	1	HEX SOCKET HEAD BOLT M5X12	52	253215-0	1	FLAT WASHER 8
20	224177-9	1	OUTER FLANGE 28	53	226448-0	1	HELICAL GEAR 33
22	224324-2	1	INNER FLANGE 28	54	961004-6	1	RETAINING RING S-8
23	961128-8	1	RETAINING RING S-28	55	214019-5	1	PLANE BEARING 4
24	165116-9	1	SAFETY COVER	56	253307-5	1	THIN WASHER 4
25	265999-8	1	TAPPING SCREW 4X25	57	226819-1	1	GEAR COMPLETE 8-68
26	267134-4	1	FLAT WASHER 30	58	214027-6	1	PLANE BEARING 4
27	415677-2	1	BEARING BOX	59	415679-8	1	SWITCH LEVER
28	416147-4	1	BLADE CASE	60	651891-8	1	SWITCH
29	265995-6	3	TAPPING SCREW 4X18	61	344532-0	1	SET PLATE
30	268004-0	1	PIN 4	ACCESSORIES			
31	961017-7	1	STOP RING E-3	400	192598-2	1	HIGH CAPACITY BATTERY 1222
32	168317-8	1	BASE	401	783202-0	1	HEX WRENCH 4
33	961017-7	1	STOP RING E-3	402	414938-7	1	BATTERY COVER
34	941101-4	1	FLAT WASHER 5	403	164095-8	1	GUIDE RULE
35	942101-7	1	SPRING WASHER 5	404	824532-1	1	PLASTIC CARRYING CASE
36	251899-8	1	SCREW M5X10	405	DC1411	1	CHARGER
				406	792611-2	1	T.C.T. SAW BLADE 3-3/8"