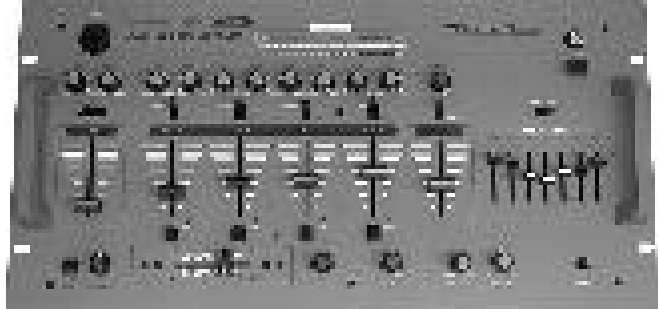


## User Instructions

# XDM-352

## PREAMP MIXER



Thank you for purchasing this American DJ® product. The XDM-352 is ready to be used, there is no assembly required. Please read the following instructions before installing or using your new unit. The XDM-352 has a 2 year limited warranty!

**CAUTION! - Keep this device away from rain and moisture!**

### Safety Instructions

Always plug in the power last. Make sure that the Power switch is set to the OFF position before connecting other devices to the mixer.

Keep away from heaters and other heating sources!

If the device has been exposed to drastic temperature fluctuation (e.g. after transportation), do not switch on the mixer immediately. The arising condensation of water might damage your device. Leave the device switched off until it has reached room temperature.

Never put any liquids on the mixer or close to it. Should any liquid enter the device, disconnect from main power immediately. Have the device checked by a qualified service technician before operating again. Any damage caused by liquid entering the device is not subject to warranty!

Never let the AC cord come in contact with other cables! Handle the AC cord and all AC connections with particular care.

Make sure that the available voltage is not higher than stated on the AC voltage selector (25).

Before the device is switched on, all fader and volume controls should be set to 0 or minimum position.

Damages caused by manual modifications to the device or unauthorized operation by unqualified persons are not subject to warranty.

There are no user serviceable parts inside the mixer. For maintenance and/or service, contact an authorized American DJ® dealer.

### Operating Determinations

When installing this mixer, please make sure that the device is not exposed to extreme heat, moisture or dust! There should not be any cables lying around. Doing so endangers you as well as others.

Do not operate the mixer in extremely hot (more than 30°C / 100°F) or extremely cold (less than 5°C / 40°F) surroundings. Keep away from direct sunlight and heaters.

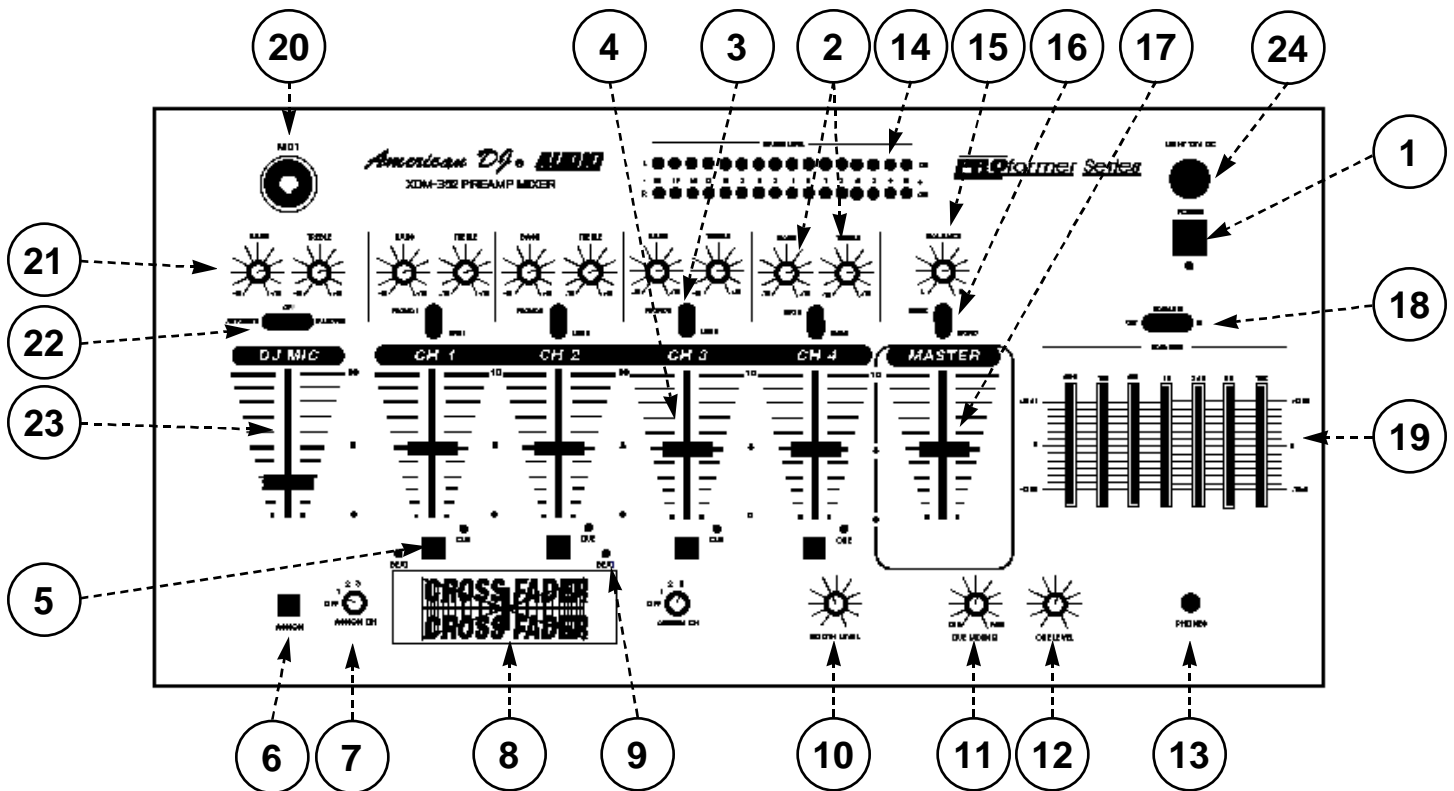
Operate the mixer only after becoming familiar with its functions. Do not permit operation by persons not qualified for operating the mixer. Most damages are the result of unprofessional operation!

Never use spray cleaners to clean the faders! Never use solvents or abrasive detergents to clean the mixer! It is recommended that you use a soft damp cloth. Please consider that unauthorized modifications on the device are forbidden due to safety reasons!

### Connections (Refer to diagrams on pages 3, 4 & 5)

- Make sure that the power switch (1) is set to OFF. Before connecting other devices to the mixer, all units have to be switched off and the Master Control (17) set to min.
- Make sure that the available voltage is not higher than stated on the voltage selector (36) before connecting to power.
- In order to obtain the highest sound quality, only use high quality American DJ®, Ameri-Cable™ cables for connecting devices. Make sure that the cables are properly fixed.
- Connect your amplifier to the MASTER OUTPUT jacks (31). Make sure that the channels are set properly (L & R). For mono and bridged operation, please use the BALANCED OUTPUT XLR jacks (34) and set the STEREO/MONO switch (16) to MONO.
- Via the BOOTH OUT jacks (33), you can either connect monitor active speakers for the DJ booth, an additional amplifier or a second zone.
- For recording, connect your tape recorder or cassette deck to the REC OUT jacks (32). The REC OUT level will not be influenced by the master fader (17). You can set the output level with the channel faders (4).
- The XDM-352 features two microphone inputs. The Nuetrak™ connector jack (20) on the front panel is for 1/4 inch (6.3mm) jack plugs and XLR-plugs. With the TALKOVER switch (22), you can attenuate all other signals without affecting the microphone volume. You can switch Mic 1 Jack (20) off by setting the TALKOVER SWITCH to MICRO OFF. The 1/4 inch (6.3mm) MIC 2 jack (25) is on the rear panel. You can connect your second microphone here. Adjust the microphone volume by using the channel fader for CHANNEL 4. Make sure that the MIC 2 / LINE 5 SWITCH is set to MIC 2.  
**CAUTION:** You can only cut the MIC 2 Jack (25) off by setting the CHANNEL 4 fader to 0 or by switching the MIC 2 / LINE 5 SWITCH to LINE 5.
- You can connect 2 turntables using the PHONO 1 jacks (27) and PHONO 2 jacks (28) on the rear panel. You can only control the turntables signal after you switched the PHONO / LINE switches (3) to PHONO. The signal is then controlled via the CH-1 and CH-2 faders (4). If you wish to connect a third turntable, switch the LINE 3 / PHONO 3 SELECTOR (37) on the rear panel to PHONO 3. You can only control the turntable signal after switching the PHONO 3-LINE 3 / LINE 4 / SWITCH (3) to PHONO 3. The signal is then controlled via the CHANNEL 3 FADER (4).
- Connect your tape player, tuner, sound effects, CD player, cassette deck or any other line signals to the LINE jacks (27, 28, 29, & 30) on the rear panel. You can only control the line signals after switching the PHONO/LINE switches (3) to LINE. The signal is then controlled via the CH-1, CH-2, CH-3 and CH-4 faders (4).

### Functions



**(1) POWER SWITCH**

**(2) BASS/TREBLE CONTROL** - Used to increase or decrease the LOWs and HIs of the input signal.

**(3) LINE/PHONO SWITCH** - Used to select the input to be sent to the individual channel. Channel 1 and 2 can be switched phono/line. Channel 3 can either be switched line/line or phono/line. The selector is on the rear panel. Channel 4 can be switched Mic2/line.

**(4) CHANNEL FADER** - Used to adjust the output level of the individual channel.

**(5) CUE SWITCH** - Used to select the channel(s) to be monitored.

**(6) ASSIGN SWITCH** - Used to switch the crossfader on or off.

**(7) CHANNEL ASSIGN SWITCH** - Used to select which channel is to be mixed with another.

**(8) CROSSFADER** - Mixes the signals of one channel with another. With the CHANNEL ASSIGN switches (7), you can choose which channel is to be mixed with another. **EXAMPLE:** Set the left CHANNEL ASSIGN switch to channel 1 and the right switch to channel 2 in order to mix the signal of channel 1 with channel 2. When the crossfader is set to the center position, both channels can be heard at once.

**(9) BEAT INDICATOR** - The LED lights up at every bass beat of the respective source. As soon as the LEDs blink synchronously, the speed of the two sources is synchronized.

**(10) BOOTH LEVEL CONTROL** - THE XDM-352 features a DJ BOOTH monitor system. Connect your monitor system to the BOOTH OUT jacks (33) on the rear panel. You can adjust the output level with the BOOTH LEVEL knob.

**(11) CUE MIXING CONTROL** - Selects the channel for monitoring. The monitor signal comes from Prefader. This means it will not be affected by the channel faders. You can monitor every channel individually and all possible combinations.

Connect your headphones to the PHONES jack(13). Turn the CUE MIXING control to CUE and select CH-1, CH-2, CH-3 or CH-4 with the CUE switches (5). The LED indicates, which channel(s) have been chosen. When you turn the CUE MIXING control to PGM (CUE switches without function), you can cue the output signal of the mixer. If the CUE MIXING control is set to the center position, you can cue both the channel signal you selected and the output signal. With the CUE LEVEL control (12), you can adjust the phones volume without changing the output signal.

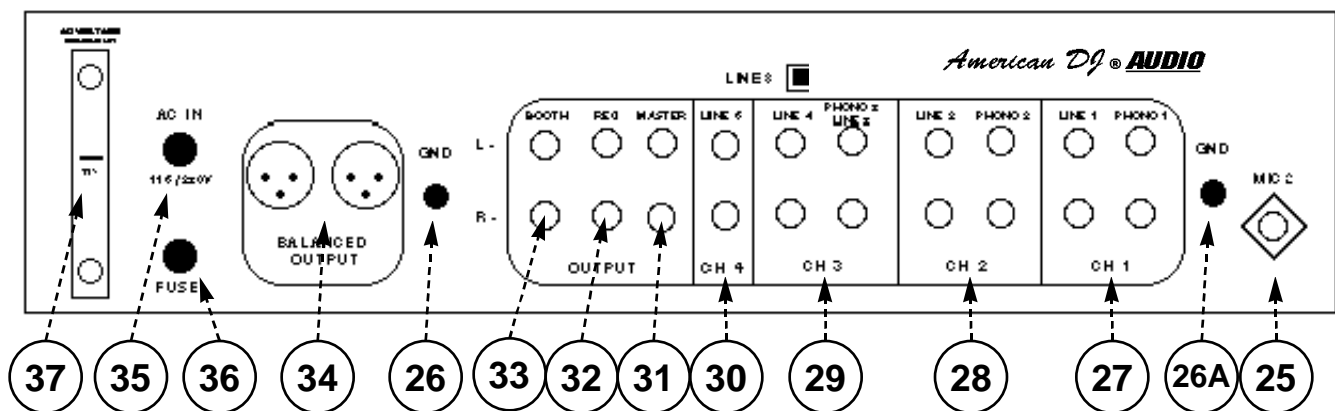
**(12) CUE LEVEL CONTROL** - Adjusts the headphone output level.

**(13) PHONES JACK** - Use this jack to connect the headphones. Headphones from 8 Ohms to 600 Ohms can be used. 16 Ohms is recommended.

### Functions (Cont.)

- (14) **MASTER LEVEL-DISPLAY** - The display shows the signal level of the master output on the left and right jack.
- (15) **BALANCE CONTROL** - Used to adjust how much of the signal is sent to the left and right MASTER OUT jack (31).
- (16) **STEREO/MONO SWITCH** - Used to set the master output to mono or stereo. If this switch is set to STEREO, the master signal is sent to the MASTER OUT jacks (31). For mono and bridged operation, set this switch to MONO and connect your amplifier with the 3-pin XLR-jacks on the rear panel (BALANCED OUTPUT jacks (34)).
- (17) **MASTER FADER** - Adjusts the level of the master output.
- (18) **EQUALIZER SWITCH** - Used to switch the equalizer on or off.
- (19) **7-BAND GRAPHIC EQUALIZER** - Used to fine-tune the master output. The frequencies are as follows: 60Hz, 150Hz, 400Hz, 1 KHz, 2.4KHz, 8KHz and 16KHz KHz. They can be adjusted by +/- 12 dB.
- (20) **MIC 1 JACK** - You can connect microphones with 6.3mm jack plug or XLR-plug.
- (21) **BASS/TREBLE** - Use these controls to fine-tune the DJ MIC signal. Increase the LOWs by turning the BASS control to the right. Increase the Hi's by turning the TREBLE control to the right.
- (22) **TALKOVER SWITCH** - Use this switch if you want to use your microphone.  
If the switch is set to ON, all signals but the microphone level are attenuated by 15dB if the microphone is voice-activated. As soon as you start speaking, the output level is reduced; as soon as you stop speaking, the output level is reset to the original level. If the switch is set to TALKOVER, the output signal is attenuated by 15dB. After you stopped speaking, you must manually set the TALKOVER switch to MICRO OFF. The output level is then reset to the original level.
- (23) **MIC 1 LEVEL FADER** - Adjusts the microphone volume.
- (24) **BNC-JACK FOR GOOSENECK LAMP**

### Inputs and Outputs



- (25) **MIC 2 JACK** - Connect your second microphone with 1/4 inch (6.3mm) jack plug here.
- (26) **(26A) GND (Ground terminals)** - The XDM-352 features two conveniently located grounds. Connect the ground lead of the turntable with this terminal. This helps to reduce humming and popping noises.
- (27), (28), (29), (30) **LINE 1 PHONO INPUT JACKS** - Input jack for CH-1, CH-2, CH-3 and CH-4. Connect turntables equipped with MM pickup cartridge to PHONO inputs. CD players or Tape Decks should be connected to LINE input. Line level musical instruments with stereo outputs such as Rhythm Machines or Samplers should also be connected to LINE inputs. Channel 3 can be switched to 2 line inputs or 1 line / 1 phono input by using the LINE 3 / PHONO 3 selector (37).
- (31) **MASTER OUT** - Parallel output of P.A. output. Connect with the input of power amplifier. Make sure that the STEREO/MONO switch (16) is set to STEREO.
- (32) **REC OUT** - Connect to your recording unit. The REC OUT level is not influenced by the MASTER FADER (17).
- (33) **BOOTH OUT** - Connect your monitor system here.
- (34) **BALANCED OUTPUT** - Balanced output for the master signal. Make sure that the STEREO/MONO switch (16) is set to MONO.

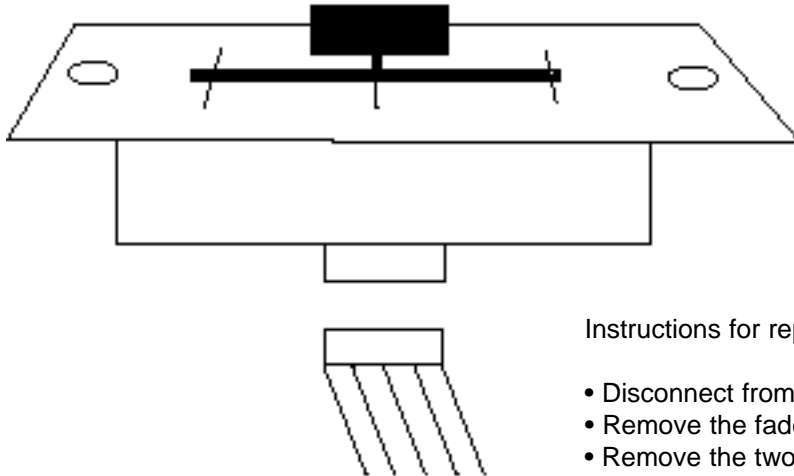
### Inputs and Outputs (Cont.)

**(35) AC CONNECTION** - AC power cord.

**(36) FUSE** - Fuseholder. Only replace the fuse when the device is disconnected from mains. Only replace by fuses of the same power and rating.

**(37) AC VOLTAGE SELECTOR** - Make sure that the selector is properly set.

### Replacing the Crossfader



#### Instructions for replacing the crossfader:

- Disconnect from main power supply.
- Remove the fader knob.
- Remove the two outer screws.
- Take the fader out and unplug the connection cable.
- Connect the new fader and replace back into mixer.

### Technical Specifications - model XDM-352

<b>Inputs:</b>	
<b>Microphone</b>	1.5mV, 600 Ohm
<b>Phono</b>	1.2mV, 47kOhm
<b>Line</b>	80mV, 27kOhm
<b>Output</b>	20V, peak to peak
<b>Frequency range</b>	20Hz-20KHz, ± 1dB
<b>Distortion</b>	<0.03%
<b>S/N-ratio</b>	>80dB
<b>Talkover</b>	-15dB
<b>Tone control</b>	Treble: 10Khz ± 12dB Bass: 100 Hz ± 12dB
<b>7-Band Graphic Equalizer</b>	± 12dB at 60Hz, 150Hz 400Hz, 1KHz, 2.4KHz, 8KHz, and 16KHz
<b>Headphone impedance</b>	16 Ohms
<b>Power supply</b>	AC115/230V, 50/60Hz
<b>Dimensions</b>	19" W x 9.5" D x 3.25" H 482 x 242 x 108 mm
<b>Weight</b>	12 lbs. / 4.5 kg