



Freestanding Skirt must be securely fastened to the finished floor prior to installing decorative components.

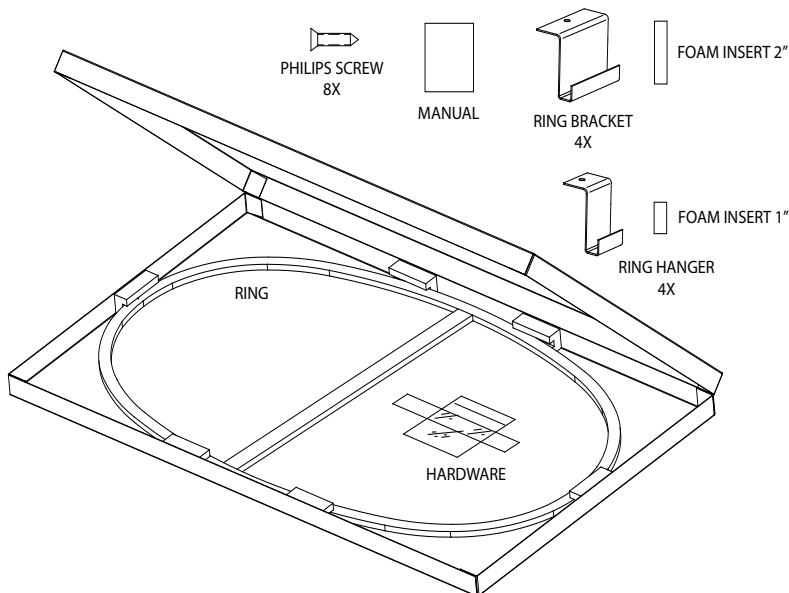
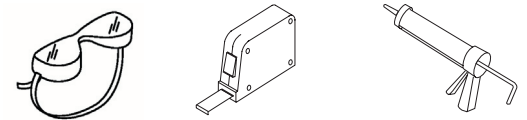
BEFORE YOU BEGIN

- Observe all local plumbing and building codes.
- Carefully inspect the new Ring / Legs for damage.
- Determine which tools and materials are necessary by reading the complete mounting instructions and examining the job you have to do.

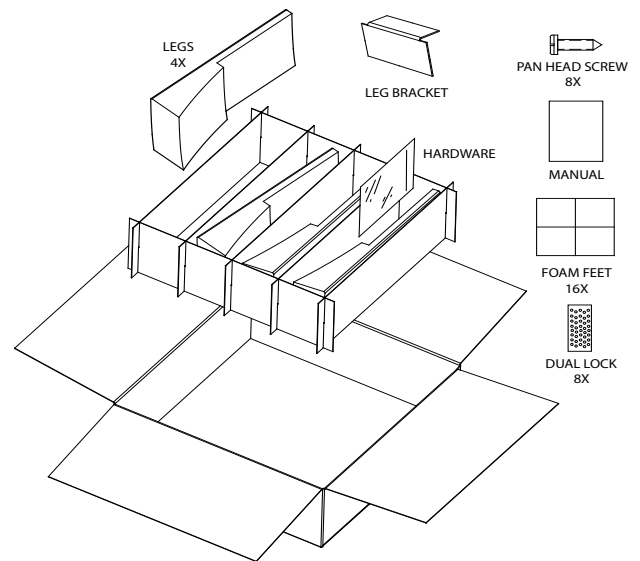
INSPECT FOR DAMAGE

- Immediately upon receipt, inspect the Ring / Legs contents before installing. Should inspection reveal any damage or defect in the finish, do not install on the bath. Damage or defect to the finish claimed after the Ring / Legs are installed is excluded from the warranty.
- Jacuzzi Luxury Bath's responsibility for shipping damages ceases upon delivery of the products in good order to the carrier. Refer any claims for damage to the carrier.
- For definitions of warranty coverage and limitations, refer to the published warranty information packed with the product.
- Jacuzzi Luxury Bath is not responsible for any defects that could have been discovered, repaired, or avoided by following this inspection and testing procedure.

TOOLS AND MATERIALS: The following tools and materials are required but not supplied. Safety glasses, tape measure, clear silicon, caulking gun, philips screw driver, and flat head screw driver.



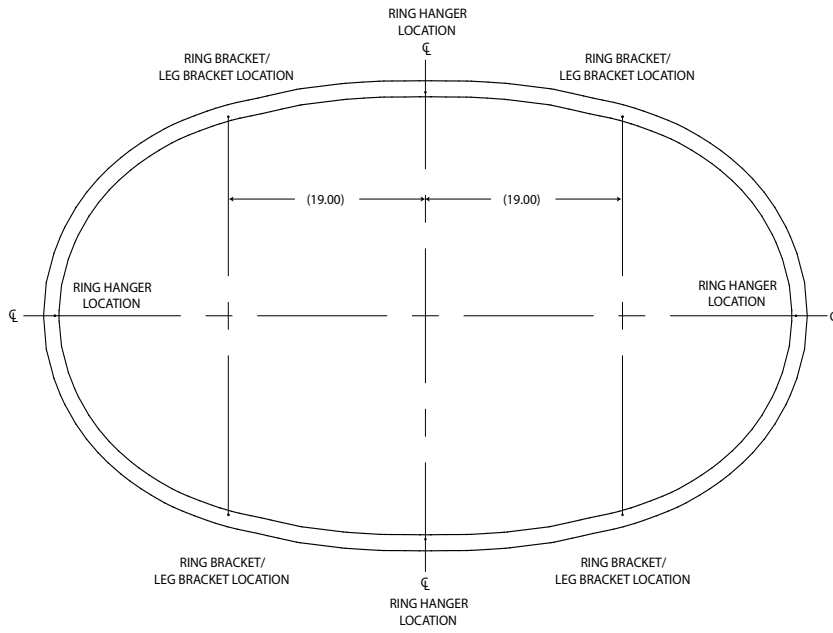
GN77 GALLERY 6/ RIVA 6 RING



GN75 GALLERY 6/ RIVA 6 LEGS



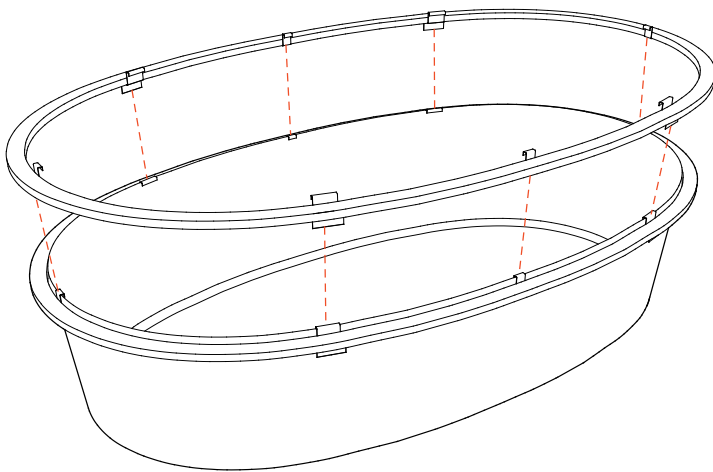
Ring Installation:



Ring and Leg Bracket Location Detail
Fig. 1

2.

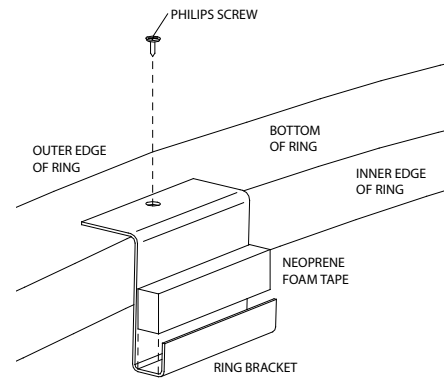
- Once all the Ring and hanger brackets have been installed, carefully flip the ring over and install onto the freestanding skirt as shown in Fig. 4. Continue onto installing your Freestanding Bath Tub.



Ring Installation Detail
Fig. 3

1.

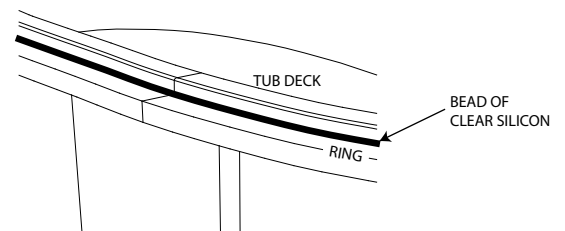
- Place Ring upside down to identify the dimples as shown in Fig. 1.
- Locate the Ring and Hanger brackets and place them as shown in Fig. 2.
- Using a Philips Screw driver, attach the ring and hanger bracket to the Ring using the provided philips screws.



Ring Bracket / Ring Hanger Bracket
Fig. 2

3. FOR ADDITIONAL SAFETY.

- After the Ring and Bath has been installed, Place a bead of clear silicon between the Ring and Tub rim as shown in Fig. 4.



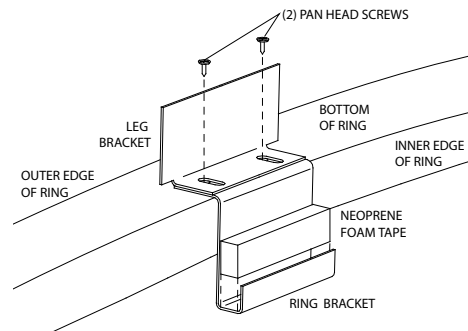
Silicon Installation Detail
Fig. 4



Legs Installation:

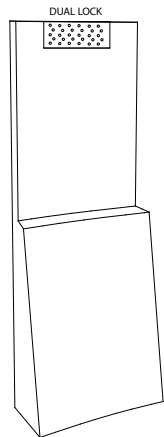
4.

- Place Ring upside down to identify the dimples as shown in Fig. 1.
- Locate the Leg brackets and place them as shown in Fig. 5.
- Using a Flat head screwdriver, attach the leg bracket as shown in Fig. 5 and fasten to the ring using (2) pan head screws.



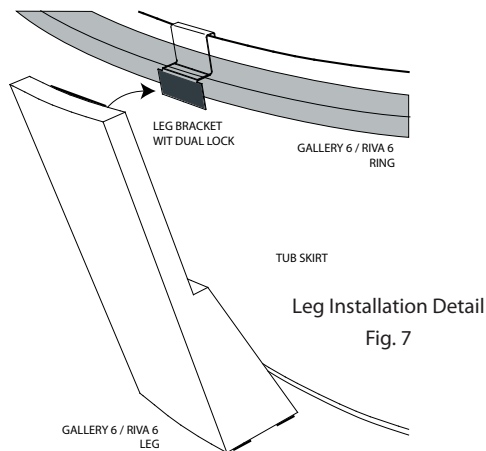
Ring & Legs Bracket Detail

Fig. 5



Dual lock and foam placement detail

Fig. 6

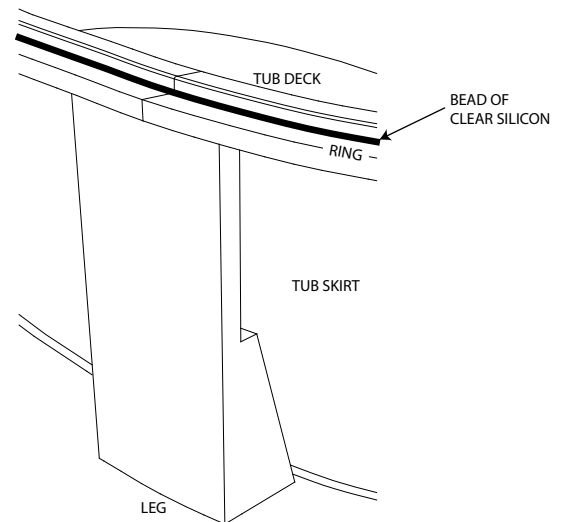


Leg Installation Detail

Fig. 7

5.

- Install the Dual Lock onto the top center of each Leg as shown in Fig. 6.
- Install the Dual Lock onto each of the Leg Brackets as shown in Fig. 7.
- Align the Legs to the center of the leg support bracket and angle the bottom so it touches the freestanding skirt and rotate forward until the Dual lock locks in place as shown in Fig. 7.



Clear Silicon Installation Detail

Fig. 8

6. FOR ADDITIONAL SAFETY.

After the Ring /Legs have been installed place a bead of clear silicon between the Ring and the Tub rim as shown in Fig. 8.

90 DAY (PARTS ONLY) LIMITED WARRANTY ON OPTIONS AND ACCESSORIES

Our warranty covers options and accessories manufactured for the company but not installed by the factory (e.g., fill spout kits, trim kits, skirts, pillows, etc.) against defects in material or workmanship. Warranty coverage begins on the date the option or accessory was originally purchased by the user. Contact our Warranty Department 1-800-288-4002 as to where to send the part to receive a warranty replacement.