

Please read and save these instructions. Read carefully before attempting to assemble, install, operate or maintain the product described. Protect yourself and others by observing all safety information. Failure to comply with instructions could result in personal injury and/or property damage! Retain instructions for future reference.



**CAMPBELL
HAUSFELD**
BUILT TO LAST

Air Cleaner / Dryer

EXTREME DUTY

Description

The Campbell Hausfeld Air Cleaner / Dryer is designed to remove dirt, most contaminants, oil and water from compressed air. It is a two part system consisting of a coalescing filter which removes most contaminants, oils and condensed water and a desiccant dryer which removes water vapor.

Unpacking

After unpacking the air cleaner / dryer, carefully inspect for any damage that may have occurred during transit. Check for loose, missing or damaged parts.

Safety Guidelines

This manual contains information that is very important to know and understand. This information is provided for SAFETY and to PREVENT EQUIPMENT PROBLEMS. To help recognize this information, observe the following symbols.

⚠ DANGER Danger indicates an imminently hazardous situation which, if not avoided, will result in death or serious injury.

⚠ WARNING Warning indicates a potentially hazardous situation which, if not avoided, could result in death or serious injury.

⚠ CAUTION Caution indicates a potentially hazardous situation which, if not avoided, MAY result in minor or moderate injury.

⚠ NOTICE Notice indicates important information, that if not followed, may cause damage to equipment.

General Safety Information

This product is a part of a high pressure system and the following safety precautions must be followed at all times along with any other existing safety rules.

1. Read this instruction manual before installing this device on a compressed air system. Be thoroughly familiar with the controls and the proper use of the equipment.
2. Safety glasses must be worn during operation. Always work in a well ventilated area.
3. Do not exceed any pressure rating of any component in the system.
4. Protect air lines from damage and puncture.
5. Check air hoses for weak or worn condition before each use. Make sure all connections are secure.
6. Keep all nuts, bolts and screws tight and ensure equipment is in safe working condition.

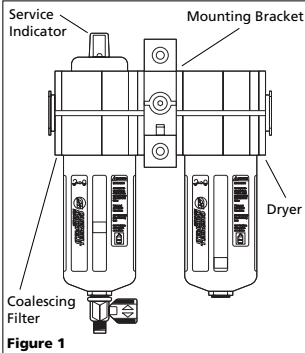


Figure 1

⚠ DANGER This product is specifically designed for compressed air service ONLY. Use with any other fluid (liquid or gas) is a misapplication and not permitted. For example, use with or injection of certain hazardous liquids or gases in the system (such as alcohol or liquid petroleum gas) could be harmful to the unit or result in a combustible condition or hazardous external leakage. Campbell Hausfeld's warranties are void in the event of misapplication and assumes no responsibility for any resulting loss.

Specifications

Maximum pressure: 150 PSIG (10 bar).

Maximum temperature: 125°F (52°C).

Installation

⚠ WARNING Disconnect power and release all pressure from the system before attempting to install, service, relocate or perform any maintenance.

1. The air cleaner/dryer should be located as close as possible to the air tool or spray gun.
2. A shutoff valve should be installed before the air cleaner/dryer so the unit can be easily depressurized for servicing. Securely mount the air cleaner/dryer in a vertical position using the mounting bracket supplied with the unit.

3. Install a Campbell Hausfeld 3/8" Filter (PA2121) before and after the coalescing filter/dryer for optimum performance. Connect the piping or hose with airflow in the direction of the arrows cast into the top of the unit. Avoid using unnecessary fittings, couplings, etc., that restrict air flow.

4. Remove the bowl from the dryer housing by pushing the bowl toward the body and rotating bowl. Pull bowl down to remove from housing.

5. Open bag of desiccant and pour into bowl. Shake or tap bowl periodically to settle desiccant. Fill to within 1/2" from top of bowl. Do not allow desiccant to get into center tube.

6. Reinstall bowl on housing. Be sure it is securely locked in place before pressurizing the unit.

7. The coalescing filter is supplied with the filter element preinstalled.

8. Be sure to use a clean air hose to prevent contamination of the cleaned air.

9. Pressurize system and check for any air leaks.

Operation

Before turning on the air pressure supply, make certain the bowls are securely locked in place and all fittings are tight.

Maintenance

⚠ WARNING Always depressurize the unit before removing any bowl or personal injury and/or property damage could occur.

- Drain moisture from coalescing filter before every use. To drain, turn drain valve. Make sure system pressure is 10 psig or less.
- The only other servicing required for the air cleaner/dryer is replacement of the desiccant when the desiccant turns pink, and replacement of the filter element when the service indicator shows red.
- Desiccant Replacement
 - Shut off air flow to the air cleaner/dryer and depressurize system.
 - Remove bowl from the dryer housing by pushing the bowl toward the body and rotating bowl counterclockwise. Pull bowl down to remove from housing.
- Pour out used desiccant.
- Pour new desiccant into bowl, filling to within 1/2" of the top of the bowl. Do not allow desiccant to get into center tube.
- Reinstall bowl on housing. Be sure it is securely locked in place before pressurizing the unit.
- Coalescing Filter Replacement - The service indicator on the coalescing filter (shown in Figure 1) signals when the filter element needs to be replaced. When the indicator turns red the filter element must be replaced. Use replacement filter element PA2087.
 - Shut off air flow to the air cleaner/dryer and depressurize system.
 - Remove bowl from from the dryer housing by pushing the bowl toward the body and rotating bowl counterclockwise. Pull bowl down to remove from housing.
 - Remove used filter element by grasping the bottom of filter element and turning counterclockwise.
- Install new filter element making sure o-ring is properly seated in groove. Always handle the element by the bottom of filter element. Do not touch the foam plastic cover. Pressure on the outer foam cover can damage it once it is in service.
- Filter elements cannot be cleaned. A new filter element must be used. Reinstall bowl on housing. Be sure it is securely locked in place before pressurizing the unit.

Technical Service

For information regarding the operation or repair of this product, please call 1-800-543-6400 between 8 a.m. and noon or between 1 p.m. and 5 p.m. (EST), Monday through Friday for assistance. If you are calling from Ohio or outside the continental United States, please call collect, 1-513-367-1182.

Limited Warranty

- DURATION:** From the date of purchase by the original purchaser as follows: Standard Duty Products - Two Years, Extreme Duty Products - Three Years.
- WHO GIVES THIS WARRANTY (WARRANTOR):** Campbell Hausfeld / Scott Fetzer Company, 100 Production Drive, Harrison, Ohio, 45030, Telephone: (800) 543-6400
- WHO RECEIVES THIS WARRANTY (PURCHASER):** The original purchaser (other than for purposes of resale) of the Campbell Hausfeld product.
- WHAT PRODUCTS ARE COVERED BY THIS WARRANTY:** Any Campbell Hausfeld nailer, stapler, air tool, spray gun, inflator or air accessory supplied or manufactured by Warrantor.
- WHAT IS COVERED UNDER THIS WARRANTY:** Substantial defects in material and workmanship which occur within the duration of the warranty period.
- WHAT IS NOT COVERED UNDER THIS WARRANTY:**
 - Implied warranties, including those of merchantability and FITNESS FOR A PARTICULAR PURPOSE ARE LIMITED FROM THE DATE OF ORIGINAL PURCHASE AS STATED IN THE DURATION. If this product is used for commercial, industrial or rental purposes, the warranty will apply for ninety (90) days from the date of purchase. Some States do not allow limitation on how long an implied warranty lasts, so the above limitations may not apply to you.
 - ANY INCIDENTAL, INDIRECT, OR CONSEQUENTIAL LOSS, DAMAGE, OR EXPENSE THAT MAY RESULT FROM ANY DEFECT, FAILURE, OR MALFUNCTION OF THE CAMPBELL HAUSFELD PRODUCT. Some States do not allow the exclusion or limitation of incidental or consequential damages, so the above limitation or exclusion may not apply to you.
 - Any failure that results from an accident, purchaser's abuse, neglect or failure to operate products in accordance with instructions provided in the owner's manual(s) supplied with product. Accident, purchaser's abuse, neglect or failure to operate products in accordance with instructions shall also include the removal or alteration of any safety devices. If such safety devices are removed or altered, this warranty is void.
 - Normal adjustments which are explained in the owner's manual(s) provided with the product.
 - Items or service that are normally required to maintain the product, i.e. o-rings, springs, bumpers, debris shields, driver blades, fuses, batteries, gaskets, packings or seals, fluid nozzles, needles, sandblast nozzles, lubricants, material hoses, filter elements, motor vanes, abrasives, blades, cut-off wheels, chisels, chisel retainers, cutters, collets, chucks, rivet jaws, screw driver bits, sanding pads, back-up pads or any other expendable part not specifically listed. These items will only be covered for ninety (90) days from date of original purchase. Underlined items have warranty for defects in material and workmanship only.
- RESPONSIBILITIES OF WARRANTOR UNDER THIS WARRANTY:** Repair or replace, at Warrantor's option, products or components which are defective, have malfunctioned and/or failed to conform within duration of the warranty period.
- RESPONSIBILITIES OF PURCHASER UNDER THIS WARRANTY:**
 - Provide dated proof of purchase and maintenance records.
 - Deliver or ship the Campbell Hausfeld product or component to the nearest Campbell Hausfeld Authorized Service Center. Freight costs, if any, must be borne by the purchaser.
 - Use reasonable care in the operation and maintenance of the products as described in the owner's manual(s).
- WHEN WARRANTOR WILL PERFORM REPAIR OR REPLACEMENT UNDER THIS WARRANTY:**
 - Repair or replacement will be scheduled and serviced according to the normal work flow at the servicing location, and depending on the availability of replacement parts.
 - If the purchaser does not receive satisfactory results from the Authorized Service Center, the purchaser should contact Campbell Hausfeld (see paragraph 2).

This Limited Warranty applies in the U.S. and Canada only and gives you specific legal rights. You may also have other rights which vary from state to state or country to country.

Serious and Extreme Duty Units

⚠ WARNING Do not disassemble bowl from guard for any reason other than parts replacement. Operation without proper assembly could cause injury and will void all manufacturer's warranties and responsibilities. **NEVER OPERATE SYSTEM WITHOUT BOWL GUARD IN PLACE!**

⚠ WARNING The bowl on this unit is made with polycarbonate plastic. Do not allow caustic materials in the air supply system. Do not operate unit with cracked or deteriorated components. Clean bowl with clean, dry cloth or replace as necessary.

⚠ WARNING Certain compressor oils, chemicals, household cleaners, solvents, paints and fumes will attack plastic bowls and cause bowl failure. Do not use such materials in or around air supply system. A complete list of all materials harmful to plastic bowls is not possible. Contact a Mobay Chemical or General Electric office for information regarding specific materials that will attack polycarbonate plastic.

MATERIALS THAT ATTACK POLYCARBONATE PLASTIC (PARTIAL LISTING)

Acetaldehyde	Chloroform	Methylene salicylate
Acetic acid (concentrated)	Cresol	Mike of lime (CaOH)
Acetone	Cyclohexanol	Nitric acid (concentrated)
Acrylonitrile	Cylohexanone	Nitrobenzene
Ammonia	Cyclohexene	Nitrocellulose lacquer
Ammonium flouride	Dimethyl formamide	Phenol
Ammonium hydroxide	Dioxane	Phosphorous hydroxy chloride
Ammonium sulfide	Ethane tetrachloride	Phosphorous trichloride
Anaerobic adhesives & sealants	Ethyl acetate	Phopionic acid
Antifreeze	Ethyl ether	Pyridine
Benzene	Ethylamine	Sodium hydroxide
Benzoic acid	Ethylene chlorohydrin	Sodium sulfide
Benzyl alcohol	Ethylene dichloride	Styrene
Brake fluids	Ethylene glycol	Sulfuric acid (concentrated)
Bromobenzene	Formic acid (concentrated)	Sulphural chloride
Butyric acid	Freon (refrig. & propell.)	Tetrahydronaphthalene
Carbolic acid	Gasoline (high aromatic)	Tiophene
Carbon disulfide	Hydrazine	Toluene
Carbon tetrachloride	Hydrochloric acid (concentrated)	Turpentine
Caustic potash solution	Lacquer thinner	Xylene
Caustic soda solution	Methyl alcohol	Perchlorethylene and others
Chlorobenzene	Methylene chloride	

TRADE NAMES OF ATTACKING MATERIALS

Atlas "Perma-Guard"	*Loctite 290	Stauffer Chemical FYRQUEL #150
Buna N	*Loctite 601	Stillman #SR 269-75 (polyurethane)
Cellulube #150 and #220	*Loctite Teflon-Sealant	Stillman #SR 513-70 (neoprene)
Crylex #5 cement	Marvel Mystery Oil	Tannergas
* Eastman 910	Minn Rubber 366Y	Telar
Garlock #98403 (polyurethane)	National Compound #N11	Tenneco andrerol #495 & #500 oils
Haskel #568-023	"Nylock" VC-3	Titon
Hilgard Co.'s hil phene	Parco #1306 Neoprene	*Vibra-tite
Houghton & Co. oil #1120, #1130 and #1055	*Permabond 910	Zerex
Houtosafe 1000	Petron PD287	*When in raw liquid form.
Kano Kroil	Prestone	
Keystone penetrating oil #2	Pydraul AC	
*Loctite 271	Sears Regular Motor Oil	
	Sinclair oil "Lily White"	

S'il vous plaît lire et conserver ces instructions. Lire attentivement avant de monter, installer, utiliser ou de procéder à l'entretien du produit décrit. Se protéger ainsi que les autres en observant toutes les instructions de sécurité, sinon, il y a risque de blessure et/ou dégâts matériels! Conserver ces instructions comme référence.



**CAMPBELL
HAUSFELD**
BUILT TO LAST

EXTREME DUTY

Nettoyeur / Sécheur À Air

Description

Le Nettoyeur/Sécheur À Air Campbell Hausfeld est conçu pour enlever la saleté, la plupart des polluants, l'huile et l'eau de l'air comprimé. Le système a deux parties; un filtre combinaison qui enlève la plupart des polluants, huiles et eau condensé, et un sécheur siccatif qui enlève la vapeur d'eau.

Déballage

Lors du déballage du nettoyeur/sécheur à air, l'examiner soigneusement pour rechercher toute trace de dommage susceptible de s'être produit en cours de transport. L'examiner pour pièces dégageés, manquantes ou endommagées.

Directives De Sécurité

Ce manuel contient de l'information très importante qui est fournie pour la SÉCURITÉ et pour ÉVITER LES PROBLÈMES D'ÉQUIPEMENT.

Rechercher les symboles suivants pour cette information.

▲ DANGER

Danger

indique une situation hasardeuse imminente qui, si pas évitée, résultera en perte de vie ou blessures graves.

▲ AVERTISSEMENT

Avertis-

sement indique une situation hasardeuse potentielle qui, si pas évitée, pourrait résulter en perte de vie ou blessures graves.

▲ ATTENTION

indique

une situation hasardeuse potentielle qui, si pas évitée, pourrait résulter en blessures.

▲ AVIS

Avis

indique l'information importante pour éviter le dommage de l'équipement.

Généralités Sur La Sécurité

Ce produit fait partie d'un système haute pression. Il est nécessaire de suivre les précautions de sécurité

suivantes ainsi que tous règlements de sécurité en vigueur.

1. Lire ce manuel d'instructions avant d'installer cet appareil sur un système d'air comprimé. Bien se familiariser avec les commandes et l'utilisation correcte de l'équipement.
2. Les lunettes de sécurité doivent être utilisées pendant l'opération. Toujours travailler dans un endroit bien aéré.
3. Ne pas dépasser aucun classement de pression de n'importe quelle pièce détachée du système.
4. Protéger les canalisations d'air contre le dommage et la perforation.
5. Inspecter les tuyaux d'air pour la faiblesse ou l'usure avant chaque utilisation. S'assurer que tous les raccords soient bien serrés.
6. Vérifier le serrage des écrous, boulons et vis et s'assurer que l'équipement soient en bon état de marche.



systeme avant d'essayer d'installer, de déplacer le produit, ou de procéder à son entretien ou service.

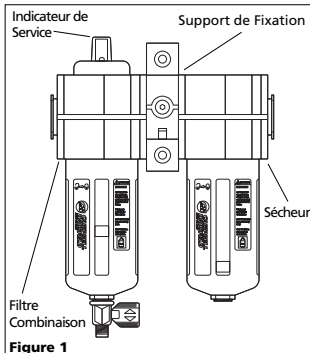


Figure 1

1. Situer le nettoyeur/sécheur aussi près que possible à l'outil pneumatique ou au pistolet vaporisateur.
2. Installer une soupape d'arrêt en position avant le nettoyeur/sécheur à air, afin de dépressuriser le modèle facilement pour le service. Monter le nettoyeur/sécheur à air avec sûreté dans une position verticale avec le support de fixation fourni.
3. Pour un rendement supérieur, installer un Filtre de 9,5 mm (PA2121) Campbell Hausfeld en position avant et après le filtre/sécheur. Brancher les tuyaux avec la circulation d'air dans la direction des flèches imprimées sur la partie supérieure du modèle. Éviter d'utiliser des raccords, accouplements, etc., supplémentaires qui peuvent limiter la circulation d'air.
4. Enlever le bol du carter de sécheur en poussant le bol vers le corps et en tournant. Tirer le bol en bas pour l'enlever du carter.
5. Ouvrir le sac de siccatif et le verser dans le bol. Agiter ou frapper le bol de temps à temps pour laisser déposer le siccatif. Remplir jusqu'à 12,7 mm (1/2 po) du haut du bol. Ne pas permettre que le siccatif entre le tuyau central.

▲ DANGER

Ce produit a été conçu pour le service d'air comprimé SEULEMENT. L'utilisation avec n'importe quel autre matériel (liquide ou gaz) est une application incorrecte interdite.

Par exemple, l'utilisation ou l'injection de certains liquides ou gaz hasardeux dans le système (tels que l'alcool ou le gaz de pétrole) endommagera le modèle et pourrait causer une situation combustible ou une fuite externe hasardeuse. Les garanties Campbell Hausfeld sont annulés dans l'événement d'un mauvais usage, et Campbell Hausfeld ne prend aucune responsabilité pour aucune perte.

Spécifications

Pression maximale: 1034 kPa.

Température maximale: 52°C (125°F).

Montage

▲ AVERTISSEMENT

Mettez

hors circuit et dissiper toute la pression du

Garantie Limitée

1. DURÉE: À partir de la date d'achat par l'acheteur original comme suit - Produits À Service Standard (Standard Duty) - Un An, Produits À Service Sérieux (Serious Duty) - Deux Ans, Produits À Service Extrême (Extreme Duty) - Trois Ans.
2. GARANTIE ACCORDÉE PAR (GARANT): Campbell Hausfeld/Scott Fetzer Company, 100 Production Drive, Harrison, Ohio, 45030, Téléphone: (800) 543-6400
3. BÉNÉFICIAIRE DE CETTE GARANTIE (ACHETEUR): L'acheteur original (sauf en cas de revente) du produit Campbell Hausfeld.
4. PRODUITS COUVERTS PAR CETTE GARANTIE: Tous les outils de fixation (clouuses et agrafeuses), outils pneumatiques, pistolets vaporisateurs, gonfleurs ou accessoires pneumatiques Campbell Hausfeld qui sont fournis par ou fabriqués par le Garant.
5. COUVERTURE DE LA PRÉSENTE GARANTIE: Défauts de matière et de fabrication considérables qui se révèlent pendant la période de validité de la garantie.
6. LA PRÉSENTE GARANTIE NE COUVRE PAS:
 - A. Les garanties implicites, y compris celles de commercialisabilité et d'ADAPTION À UNE FONCTION PARTICULIÈRE SONT LIMITÉES À PARTIR DE LA DATE D'ACHAT INITIALE TELLE QU'INDIQUÉE DANS LA SECTION DURÉE. Si ce produit est utilisé pour une fonction commerciale, industrielle ou pour la location, la durée de la garantie sera quatre-vingt-dix (90) jours à compter de la date d'achat. Quelques Provinces (États) n'autorisent pas de limitations de durée pour les garanties implicites. Les limitations précédentes peuvent donc ne pas s'appliquer.
 - B. TOUT DOMMAGE, PERTE OU DÉPENSE FORTUIT OU INDIRECT POUVANT RÉSULTER DE TOUT DÉFAUT, PANNE OU MAUVAIS FONCTIONNEMENT DU PRODUIT CAMPBELL HAUSFELD. Quelques Provinces (États) n'autorisent pas l'exclusion ni la limitation des dommages fortuits ou indirects. La limitation ou exclusion précédente peut donc ne pas s'appliquer.
 - C. Toute panne résultant d'un accident, d'une utilisation abusive, de la négligence ou d'une utilisation ne respectant pas les instructions données dans le(s) manuel(s) accompagnant le produit. Un accident, l'utilisation abusive par l'acheteur, la négligence ou le manque de faire fonctionner les produits selon les instructions comprend aussi l'enlèvement ou la modification de n'importe quel appareil de sûreté. Si ces appareils de sûreté sont enlevés ou modifiés, la garantie sera annulée.
 - D. Réglages normaux qui sont expliqués dans le(s) manuel(s) d'utilisation accompagnant le produit.
 - E. Articles ou services qui sont exigés pour l'entretien du produit; Joints torique, ressorts, amortisseurs, écrans de débris, lames d'entraînement, fusibles, batteries, joints d'étanchéité, garnitures ou joints, buses de fluide, aiguilles, buses de sablage, graisses, tuyaux de matériaux, cartouches filtrantes, pales de moteur, abrasifs, lames, meules de coupeage, burins, fixe-burins, coupeuses, douilles de serrage, mandrins, mâchoires de rivet, lames de tournevis, tampons de sablage, tampons de sauvegarde, ou pièces qui ne sont pas indispensables et qui ne sont pas indiquées. Ces articles seront couverts pour quatre-vingt-dix (90) jours à partir de la date d'achat original. Les articles soulignés sont garanties pour défauts de matière et de fabrication seulement.
7. RESPONSABILITÉS DU GARANT AUX TERMES DE CETTE GARANTIE: Réparation ou remplacement, au choix du Garant, des produits ou pièces qui se sont révélés défectueux pendant la durée de validité de la garantie.
8. RESPONSABILITÉS DE L'ACHETEUR AUX TERMES DE CETTE GARANTIE:
 - A. Fournir une preuve d'achat datée et un état d'entretien.
 - B. Livraison ou expédition du produit ou de la pièce Campbell Hausfeld au Centre De Service Autorisé Campbell Hausfeld. Taux de frais, si applicables, sont la responsabilité de l'acheteur.
 - C. Utilisation et entretien du produit avec un soin raisonnable, ainsi que le décrit le(s) manuel(s) d'utilisation.
9. RÉPARATION OU REMPLACEMENT EFFECTUÉ PAR LE GARANT AUX TERMES DE LA PRÉSENTE GARANTIE:
 - A. La réparation ou le remplacement sera prévu et exécuté en fonction de la charge de travail dans le centre de service et dépendra de la disponibilité des pièces de rechange.
 - B. Si l'acheteur n'est pas satisfait des services du Centre De Service Autorisé, l'acheteur devrait contacter Campbell Hausfeld (se référer au paragraphe 2).

Cette Garantie Limitée s'applique aux É.-U. et au Canada et vous confère des droits judiciaires précis. L'acheteur peut également jouir d'autres droits qui varient d'une Province, d'un État ou d'un Pays à l'autre.

Modèles À Service Sérieux et Extrême

⚠ AVERTISSEMENT

Ne pas démonter

le bol du protecteur de bol pour autres raisons que le remplacement des pièces détachées. Le fonctionnement sans le montage correct pourra causer des blessures et niera toutes les garanties et les responsabilités du fabricant. **NE JAMAIS FAIRE FONCTIONNER SANS QUE LE PROTECTEUR DE BOL SOIT EN PLACE!**

⚠ AVERTISSEMENT

Le bol sur ce

modèle est fabriqué d'un plastique polycarbonate. Ne pas permettre des matériaux caustiques dans le système de débit d'air. Ne pas faire fonctionner le modèle avec des composantes fendues ou détériorées. Nettoyer le bol avec un chiffon propre et sec ou le remplacer au besoin.

⚠ AVERTISSEMENT

Certains huiles,

produits chimiques, nettoyeurs domestiques, solvants, peintures et vapeurs peuvent attaquer les bols en plastique et peuvent causer la panne. Ne pas utiliser ces matériaux dans ni autour du système de débit d'air. Une liste complète de tous les produits qui nuisent aux bols en plastique n'est pas possible. Contacter Mobay Chemical ou un bureau de General Electric pour des informations concernant les matériaux spécifiques qui attaquent le plastique polycarbonate.

MATÉRIAUX QUI ATTAQUENT LE PLASTIQUE POLYCARBONATE (LISTE PARTIELLE)

Acétaldéhyde	Chloroforme	Salicylate de Méthylène
Acide Acétique (concentré)	Crésol	Mike of lime (CaOH)
Acétone	Cyclohexanol	Acide Nitrique (concentré)
Acrylonitrile	Cyclohexanone	Nitrobenzène
Ammoniaque	Cyclohexène	Laque Nitrocellulose
Fluorure d'ammonium	Diméthyl formamide	Phénol
Ammoniaque	Dioxane	Hydroxy chloride Phosphoreux
Sulfure d'ammonium	Éthane tetrachloride	Trichloride Phosphoreux
Adhésifs et agents d'étanchéité anaérobie	Acétate d'Éthyl	Acide Phopionic
Antigel	Éther d'Éthyl	Pyridine
Benzène	Éthylamine	Hydrate de Soude
Acide Benzoïque	Éthylène chlorohydrine	Sulfure de Soude
Benzyl alcool	Bichlorure d'Éthylène	Styrène
Liquides pour freins	Éthylène glycol	Acide Sulfurique (concentré)
Bromobenzène	Acide Formique (concentré)	Chloride Sulphureux
Acide Butyrique	Freon (refrig. & propul.)	Tetrahydronaphthalène
Acide Carbolique	Essence (très aromatique)	Tiophène
Bisulfure de carbone	Hydrazine	Toluène
Tetrachlorure de carbone	Acide Hydrochlorique (concentré)	Térébenthine
Solution de potasse caustique	Diluant de laque	Xylène
Solution de soude caustique	Alcool méthylique	Perchloréthylène et autres
Chlorobenzène	Chlorure de Méthylène	

MARQUES DE MATÉRIAUX QUI ATTAQUENT

Atlas "Perma-Guard"	*Loctite 290	Stauffer Chemical FYRQUEL #150
Buna N	*Loctite 601	Stillman #SR 269-75 (polyuréthane)
Cellulube #150 et #220	*Loctite Téflon-Agent d'étanchéité	Stillman #SR 513-70 (néoprène)
Ciment Crylex #5	Huile Marvel Mystery Oil	Tannergas
* Eastman 910	Minn Rubber 366Y	Telar
Garlock #98403 (polyuréthane)	National Compound #N11	Huile Tenneco andrerol #495 & #500
Haskel #568-023	"Nylock" VC-3	Titon
Hillgard Co.'s hil phene	Parco #1306 Neoprene	*Vibra-tite
Huile Houghton & Co. #1120, #1130 et #1055	*Permabond 910	Zerex
Houtosafe 1000	Petron PD287	*Si en forme brut liquide.
Kano Kroil	Prestone	
Huile de décapage Keystone #2	Pydraul AC	
*Loctite 271	Huile Sears Regular Motor Oil	
	Huile Sinclair "Lily White"	

Sirvase leer y guardar estas instrucciones. Lea con cuidado antes de tratar de armar, instalar, manejar o darle servicio al producto descrito en este manual. Protéjase Ud. y a los demás observando todas las reglas de seguridad. El no seguir las instrucciones podría resultar en heridas y/o daños a su propiedad. Guarde este manual como referencia.



Purificador de Aire / Secador

Descripción

Este purificador de aire/secador Campbell Hausfeld está diseñado para eliminar polvo, la mayoría de contaminantes, residuos de aceite y agua del aire comprimido. Es un sistema de dos partes que consiste de un filtro de fusión para eliminar la mayoría de contaminantes y residuos de aceite y agua y un secador con desecantes para eliminar el vapor de agua.

Para Desempacar

Al desempacar el purificador de aire/secador, revíselo con cuidado para cerciorarse de que esté en perfecto estado.

Medidas de seguridad

Este manual contiene información que es muy importante que sepa y comprenda. Esta información se la suministramos como medida de SEGURIDAD y para EVITAR PROBLEMAS CON EL EQUIPO. Debe reconocer los siguientes símbolos.

▲ PELIGRO

Esto le indica que hay una situación inmediata que LE OCASIONARIA la muerte o heridas de gravedad.

▲ ADVERTENCIA

Esto le indica que hay una situación que PODRIA ocasionarle la muerte o heridas de gravedad.

▲ PRECAUCION

Esto le indica que hay una situación que PODRIA ocasionarle heridas no muy graves.

▲ AVISO

Esto le indica una información importante, que de no seguirla, le podría ocasionar daños al equipo.

Informaciones Generales de Seguridad

Este producto es parte de un sistema de alta presión y siempre debe seguir las siguientes medidas de seguridad al igual que otras medidas de seguridad establecidas.

1. Lea con cuidado los manuales incluidos con este producto. Familiarícese con los controles y el uso adecuado del equipo.
2. Siempre debe usar anteojos de seguridad mientras esté usando este accesorio. Siempre trabaje en un área bien ventilada.
3. Nunca exceda ninguna capacidad normal de presión del sistema.
4. Proteja las líneas de aire contra daños o perforaciones.
5. Antes de cada uso revise las mangueras para ver si están deterioradas. Cerciórese de que todas las conexiones estén bien apretadas.
6. Mantenga todas las tuercas y tornillos bien apretados y cerciórese de que el equipo esté en buenas condiciones para funcionar.

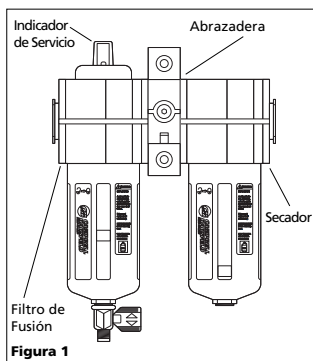


Figura 1

▲ PELIGRO

Este producto está diseñado específicamente para usarse en sistemas de aire comprimido SOLAMENTE. El usarlo con cualquier otro material (líquido o gas) es inadecuado y no se debe hacer. Al usar o inyectar ciertos líquidos o gases peligrosos (tales como oxígeno, alcohol o gases líquidos de petróleo) dañaría la unidad y crearía condiciones combustibles o fugas externas peligrosas. En caso del uso inadecuado las garantías otorgadas por la Campbell Hausfeld quedarían anuladas y la compañía no asumiría ninguna responsabilidad por las pérdidas sufridas.

Especificaciones

Presión máxima: 10 bar (150 PSIG).
Temperatura máxima: 52°C (125°F).

Instalación

▲ ADVERTENCIA

Desconecte el cordón eléctrico del tomacorrientes y libere toda la presión del sistema antes de tratar de instalar, darle servicio, cambiar de lugar o darle cualquier tipo de mantenimiento.

1. El purificador de aire/secador debe instalarse lo más cerca posible de la herramienta neumática o pistola pulverizadora.
2. Debe instalar una válvula de cierre antes del purificador de aire/secador de modo que pueda liberar la presión de aire de la unidad fácilmente antes de darle servicio. Instale el purificador de aire/secador en posición vertical utilizando la abrazadera suministrada con la unidad y cerciórese de que quede bien instalado.
3. Instale un filtro Campbell Hausfeld (PA2121) de 9,5mm (3/8") antes y después del filtro de fusión/secador para obtener un rendimiento óptimo. Conecte las tuberías o mangueras de modo que el flujo de aire sea en la dirección indicada por la flecha grabada en la parte superior de la unidad. Evite el uso de conectores, acopladores innecesarios que pudiesen restringir el flujo de aire.
4. Para desconectar el envase, empujelo hacia el cuerpo de la unidad y gírelo. Luego tirelo hacia abajo.
5. Abra la bolsa del desecante y viértalo en el envase. De vez en cuando mueva o golpee el envase para sedimentar el desecante. Llene el envase hasta alcanzar una altura de unos 13mm (1/2") del borde de éste.

Garantía Limitada

- 1 DURACION: A partir de la fecha de compra por el comprador original tal como se especifica a continuación: Productos Estándard (Standard Duty) - Un año, Productos Resistentes (Serious Duty) - Dos años, Productos Robustos (Extreme Duty) - Tres años.
 2. QUIEN OTORGA ESTA GARANTIA (EL GARANTE: Campbell Hausfeld / The Scott Fetzer Company 100 Production Drive, Harrison, Ohio 45030 Teléfono: (800) 543-6400
 3. QUIEN RECIBE ESTA GARANTIA (EL COMPRADOR): El comprador original (que no sea un revendedor) del producto Campbell Hausfeld.
 4. PRODUCTOS CUBIERTOS POR ESTA GARANTIA: Cualquier clavadora, grapadora, herramienta neumática, pistola pulverizadora, inflador o accesorio neumático suministrado o fabricado por el Garante.
 5. COBERTURA DE LA GARANTIA: Los defectos substanciales de material y fabricación que ocurran dentro del periodo de validez de la garantía.
 6. LO QUE NO ESTA CUBIERTO POR ESTA GARANTIA:
 - A. Las garantías implícitas, incluyendo aquellas de comercialidad E IDONEIDAD PARA FINES PARTICULARES, ESTAN LIMITADOS A LO ESPECIFICADO EN EL PARRAFO DE DURACION. Si este producto es empleado para uso comercial, industrial o para renta, la garantía será aplicable por noventa (90) días a partir de la fecha de compra. En algunos estados no se permiten limitaciones a la duración de las garantías implícitas, por lo tanto, en tales casos esta limitación no es aplicable.
 - B. CUALQUIER PERDIDA DAÑO INCIDENTAL, INDIRECTO O CONSECUENTE QUE PUEDA RESULTAR DE UN DEFECTO, FALLA O MALFUNCIONAMIENTO DEL PRODUCTO CAMPBELL HAUSFELD. En algunos estados no se permite la exclusión o limitación de daños incidentales o consecuentes, por lo tanto, en tales casos esta limitación o exclusión no es aplicable
 - C. Cualquier falla que resulte de un accidente, abuso, negligencia o incumplimiento de las instrucciones de funcionamiento y uso indicadas en el (los) manual(es) que se adjunta(n) al producto. Dichos accidentes, abusos por parte del comprador, o falta de operar el producto siguiendo las instrucciones del manual de instrucciones suministrado también debe incluir la desconexión o modificación de los instrumentos de seguridad. Si dichos instrumentos de seguridad son desconectados, la garantía quedaría cancelada.
 - D. Los ajustes normales explicados en el(los) manual(es) suministrado(s) con el producto.
 - E. Artículos o servicios normalmente requeridos para el mantenimiento del producto, tales como: anillos en O, resortes, defensas, tapas de protección hélices, fusibles, baterías, empaques, almohadillas o sellos, boquillas de fluido, agujas, boquillas para rociar arena, lubricantes, mangueras de material, elementos de filtros, turbinas de motores, abrasivos, hojillas, discos para cortar cinceles, cretenes para cinceles, cortadores, boquillas, mandriles, mordazas para remachadoras, brocas para desarmadores, papeles de lija, almohadillas para lijadoras o cualquier otro artículo desgastable que no se haya enumerado específicamente . Estos artículos sólo estarán cubiertos bajo esta garantía por noventa (90) días a partir de la fecha de compra original. Los artículos subrayados sólo están garantizados por defectos de material o fabricación.
 7. RESPONSABILIDADES DEL GARANTE BAJO ESTA GARANTIA: Reparar o reemplazar, como lo decida el Garante, los productos o componentes que estén defectuosos, se hayan dañado o hayan dejado de funcionar adecuadamente, durante el periodo de validez de la garantía
 8. RESPONSABILIDADES DEL COMPRADOR BAJO ESTA GARANTIA:
 - A. Suministrar prueba fechada de compra y la historia de mantenimiento del producto.
 - B. Entregar o enviar el producto o componente Campbell Hausfeld al Centro de Servicio autorizado Campbell Hausfeld más cercano. Los gastos de flete, de haberlos, deben ser pagados por el comprador.
 - C. Seguir las instrucciones sobre operación y mantenimiento del producto, tal como se indica(n) en el (los) manual(es) del propietario
 9. CUANDO EFECTUARA EL GARANTE LA REPARACION O REEMPLAZO CUBIERTO BAJO ESTA GARANTIA:
 - A. La reparación o reemplazo dependerá del flujo normal de trabajo del centro de servicio y de la disponibilidad de repuestos.
 - B. Si el comprador no recibe resultados satisfactorios en el Centro de Servicio a Clientes de Campbell Hausfeld. (Vea el Párrafo 2).
- Esta Garantía Limitada sólo es válida en los Estados Unidos de América y Canadá y le otorga derechos legales específicos. Usted también puede tener otros derechos que varían de un Estado a otro, o de un país a otro.

Modelos Resistentes y Modelos Robustos**⚠ ADVERTENCIA****No desco-**

necte el envase del filtro de la cubierta a menos que necesite reemplazar alguna pieza. Si lo utiliza sin la cubierta podría ocasionarle heridas y las garantías y responsabilidades civiles del fabricante quedarían canceladas. ¡NUNCA OPERE EL SISTEMA SIN LA CUBIERTA DEL ENVASE DEL FILTRO!

⚠ ADVERTENCIA**El envase de esta**

unidad está hecho de plástico policarbonato. No permita la presencia de materiales cáusticos en el sistema de suministro de aire. No opere la unidad con piezas rotas o deterioradas. Limpie el envase con un trapo limpio y seco o reemplácelo cuando sea necesario.

⚠ ADVERTENCIA**Algunos aceites**

para compresores, químicos, productos para limpieza doméstica, solventes, pinturas y vapores, pueden dañarlos envases plásticos y ocasionar que fallen. No use dichos materiales en el sistema de suministro ni sus alrededores. Es imposible suministrarle una lista completa de todos los materiales dañinos para el plástico. Comuníquese con las compañías Mobay Chemical o General Electric para recibir más información sobre los productos dañinos para el plástico policarbonato.

MATERIALES DAÑINOS PARA EL PLASTICO POLICARBONATO (LISTA PARCIAL)

Acetaldehído	Cloroformo	Metileno salicílico
Ácido acético (concentrado)	Creosol	CaOH
Acetona	Ciclohexanol	Ácido nítrico (concentrado)
Acrylonitrilo	Ciclohexanona	Nitrobenzono
Amoníaco	Ciclohexeno	Lacas Nitrocelulosas
Floruro de amonio	Formamida de dimetila	Fenol
Hidróxido de amonio	Dioxano	Cloruro hidróxido de fósforo
Sulfuro de amonio	Tetracloruro de etano	Tricloruro de fósforo
Adhesivos & selladores anaeróbicos	Acetato de etilo	Ácido fopiónico
Anticongelantes	Éter etílico	Piridina
Benceno	Etilaminas	Hidróxido de sodio
Ácido benzoico	Clorhidrina etilénica	Sulfuro de sodio
Alcohol bencílico	Dicloruro etilénico	Estireno
Fluidos para frenos	Etilenglicol	Ácido sulfúrico (concentrado)
Bromobenceno	Ácido fórmico (concentrado)	Cloruro de azufre
Ácido butírico	Freón (refrig. & propel.)	Tetrahidronaftalina
Ácido carbólico	Gasolina (muy aromática)	Tiofena
Disulfuro de carbón	Hidracine	Tolueno
Tetracloruro de carbón	Ácido hidroclohidrico (concentrado)	Terpentina
Solución cáustica de potasa	Thinner para lacas	Xileno
Solución cáustica de sodio	Alcohol metílico	Percloroetileno y otros
Clorobenceno	Cloruro de metileno	

MARCAS DE PRODUCTOS DAÑINOS PARA EL PLASTICO POLICARBONATO*

Atlas "Perma-Guard"	*Loctite 290	Stauffer Chemical FYRQUEL #150
Buna N	*Loctite 601	Stillman #SR 269-75 (poliuretano)
Cellulube #150 y #220	*Sellador de teflón Loctite	Stillman #SR 513-70 (neoprene)
Cemento Crylex #5	Aceite Marvel Mystery	Tannergas
* Eastman 910	Minn Rubber 366Y	Telar
Garlock #98403 (poliuretano)	National Compound #N11	Aceites Tenneco andrerol #495 & #500
Haskel #568-023	"Nylock" VC-3	Titon
Hilgard Co.'s hil phene	Parco #1306 Neoprene	*Vibra-tite
Aceite Houghton & Co. #1120, #1130 y #1055	*Permabond 910	Zerex
Houtosafe 1000	Petron PD287	*En forma líquida sin procesar.
Kano Kroil	Prestone	
Aceite penetrante Keystone #2	Pydraul AC	
*Loctite 271	Aceite regular para motores marca Sears	
	Sinclair oil "Lily White"	

Air Cleaner / Dryer
 Nettoyeur / Sécheur à Air
 Purificador de Aire / Secador

Model PA208501
Modèle PA208501
Modelo PA208501

For Replacement Parts, Call 1-800-543-6400

Please provide following information:

- Model number
- Serial number (if any)
- Part description and number as shown in parts list

Address parts correspondence to:

The Campbell Group/Attn: Parts Dept.
 100 Production Drive
 Harrison, OH 45030 U.S.A.

Pour Pièces De Rechange, Appeler 1-800-543-6400

S'il vous plaît fournir l'information suivante:

- Numéro du modèle
- Numéro de série (si applicable)
- Description de la pièce et son numéro sur la liste de pièces

Correspondance:

The Campbell Group Attn: Parts Department
 100 Production Drive
 Harrison, OH 45030 U.S.A.

Para Ordenar Repuestos, Sírvase llamer al Concesionario más Cercano a su Domicilio

Sírvase darnos la siguiente información:

- Número del modelo
- Número de Serie (de haberlo)
- Descripción y número del repuesto según la lista de repuestos

Puede escribirnos a:

The Campbell Group Attn: Parts Department
 100 Production Drive
 Harrison, OH 45030 U.S.A.

For parts, products & service information visit
POWER XPERT
www.campbellhausfeld.com

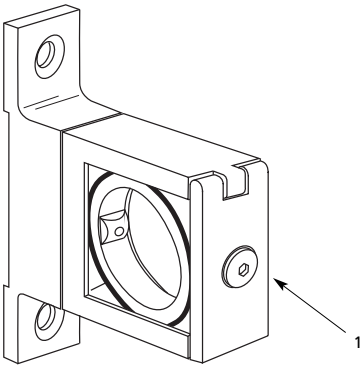
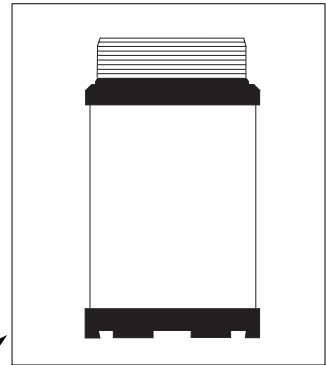


Figure 2
Figure 2
Figura 2

Replacement Parts List Liste de Pièces de Rechange Lista de Repuestos

Ref. No. No. Ref. No. de Ref.	Description	Description	Description	Part Number Numero de Piéce Número del repuesto	Qty. Qte. Ctd.
1	Quickclamp bracket	Support de pince rapide	Abrazadera de desconexión rápida	SX129700AV	1
2	Replacement Desiccant	Siccatif de rechange	Desecante de repuesto	PA2086	1
3	Coalescing Filter Element	Cartouche filtrante combinaison	Elemento del filtro de fusión	PA2087	1



Printed in Taiwan
 Imprimé à Taiwan
 Impreso en Taiwan

Modelos Resistentes y Modelos Robustos**⚠ ADVERTENCIA****No desco-**

necte el envase del filtro de la cubierta a menos que necesite reemplazar alguna pieza. Si lo utiliza sin la cubierta podría ocasionarle heridas y las garantías y responsabilidades civiles del fabricante quedarían canceladas. ¡NUNCA OPERE EL SISTEMA SIN LA CUBIERTA DEL ENVASE DEL FILTRO!

⚠ ADVERTENCIA**El envase de esta**

unidad está hecho de plástico policarbonato. No permita la presencia de materiales cáusticos en el sistema de suministro de aire. No opere la unidad con piezas rotas o deterioradas. Limpie el envase con un trapo limpio y seco o reemplácelo cuando sea necesario.

⚠ ADVERTENCIA**Algunos aceites**

para compresores, químicos, productos para limpieza doméstica, solventes, pinturas y vapores, pueden dañarlos envases plásticos y ocasionar que fallen. No use dichos materiales en el sistema de suministro ni sus alrededores. Es imposible suministrarle una lista completa de todos los materiales dañinos para el plástico. Comuníquese con las compañías Mobay Chemical o General Electric para recibir más información sobre los productos dañinos para el plástico policarbonato.

MATERIALES DAÑINOS PARA EL PLASTICO POLICARBONATO (LISTA PARCIAL)

Acetaldehído	Cloroformo	Metileno salicílico
Ácido acético (concentrado)	Creosol	CaOH
Acetona	Ciclohexanol	Ácido nítrico (concentrado)
Acrylonitrilo	Ciclohexanona	Nitrobenzeno
Amoníaco	Ciclohexeno	Lacas Nitrocelulosas
Floruro de amonio	Formamida de dimetila	Fenol
Hidróxido de amonio	Dioxano	Cloruro hidróxido de fósforo
Sulfuro de amonio	Tetracloruro de etano	Tricloruro de fósforo
Adhesivos & selladores anaeróbicos	Acetato de etilo	Ácido fopiónico
Anticongelantes	Éter etílico	Piridina
Benceno	Etilaminas	Hidróxido de sodio
Ácido benzoico	Clorhidrina etilénica	Sulfuro de sodio
Alcohol bencílico	Dicloruro etilénico	Estireno
Fluidos para frenos	Etilenglicol	Ácido sulfúrico (concentrado)
Bromobenceno	Ácido fórmico (concentrado)	Cloruro de azufre
Ácido butírico	Freón (refrig. & propel.)	Tetrahidronaftalina
Ácido carbólico	Gasolina (muy aromática)	Tiofena
Disulfuro de carbón	Hidracine	Tolueno
Tetracloruro de carbón	Ácido hidroclorehidrico (concentrado)	Terpentina
Solución cáustica de potasa	Thinner para lacas	Xileno
Solución cáustica de sodio	Alcohol metílico	Percloroetileno y otros
Clorobenceno	Cloruro de metileno	

MARCAS DE PRODUCTOS DAÑINOS PARA EL PLASTICO POLICARBONATO*

Atlas "Perma-Guard"	*Loctite 290	Stauffer Chemical FYRQUEL #150
Buna N	*Loctite 601	Stillman #SR 269-75 (poliuretano)
Cellulube #150 y #220	*Sellador de teflón Loctite	Stillman #SR 513-70 (neoprene)
Cemento Crylex #5	Aceite Marvel Mystery	Tannergas
* Eastman 910	Minn Rubber 366Y	Telar
Garlock #98403 (poliuretano)	National Compound #N11	Aceites Tenneco andrerol #495 & #500
Haskel #568-023	"Nylock" VC-3	Titon
Hilgard Co.'s hil phene	Parco #1306 Neoprene	*Vibra-tite
Aceite Houghton & Co. #1120, #1130 y #1055	*Permabond 910	Zerex
Houtosafe 1000	Petron PD287	*En forma líquida sin procesar.
Kano Kroil	Prestone	
Aceite penetrante Keystone #2	Pydraul AC	
*Loctite 271	Aceite regular para motores marca Sears	
	Sinclair oil "Lily White"	

Garantía Limitada

1. DURACION: A partir de la fecha de compra por el computador original tal como se especifica a continuación: Productos Estándar (Standard Duty) - Un año, Productos Resistentes (Serious Duty) - Dos años, Productos Robustos (Extreme Duty) - Tres años.
2. QUIEN OTORGA ESTA GARANTIA (EL GARANTE: Campbell Hausfeld / The Scott Fetzer Company, 100 Production Drive, Harrison, Ohio 45030 Teléfono: (800) 543-6400
3. QUIEN RECIBE ESTA GARANTIA (EL COMPRADOR): El comprador original (que no sea un reventador) del producto Campbell Hausfeld.
4. PRODUCTOS CUBIERTOS POR ESTA GARANTIA: Cualquier clavadora, grapadora, herramienta neumática, pistola pulverizadora, inflador o accesorio neumático suministrado o fabricado por el Garante.
5. COBERTURA DE LA GARANTIA: Los defectos substanciales de material y fabricación que ocurran dentro del periodo de validez de la garantía.
6. LO QUE NO ESTA CUBIERTO POR ESTA GARANTIA:
 - A. Las garantías implícitas, incluyendo aquellas de comerciabilidad E IDONEIDAD PARA FINES PARTICULARES, ESTAN LIMITADOS A LO ESPECIFICADO EN EL PARRAFO DE DURACION. Si este producto es empleado para uso comercial, industrial o para renta, la garantía será aplicable por noventa (90) días a partir de la fecha de compra. En algunos estados no se permiten limitaciones a la duración de las garantías implícitas, por lo tanto, en tales casos esta limitación no es aplicable.
 - B. CUALQUIER PERDIDA DAÑO INCIDENTAL, INDIRECTO O CONSECUENTE QUE PUEDA RESULTAR DE UN DEFECTO, FALTA O MALFUNCIONAMIENTO DEL PRODUCTO CAMPBELL HAUSFELD. En algunos estados no se permite la exclusión o limitación de daños incidentales o consecuentes, por lo tanto, en tales casos esta limitación o exclusión no es aplicable.
 - C. Cualquier falla que resulte de un accidente, abuso, negligencia o incumplimiento de las instrucciones de funcionamiento y uso indicadas en el (los) manual(les) que se adjuntar(án) al producto. Dichos accidentes, abusos por parte del comprador, o falta de operar el producto siguiendo las instrucciones del manual de instrucciones suministrado también debe incluir la desconexión o modificación de los instrumentos de seguridad. Si dichos instrumentos de seguridad son desconectados, la garantía quedaría cancelada.
 - D. Los ajustes normales explicados en el(los) manual(les) suministrado(s) con el producto.
 - E. Artículos o servicios normalmente requeridos para el mantenimiento del producto, tales como: anillos en O, resortes, defensas, tapas de protección hélices, fusibles, baterías, empaques, almohadillas o sellos, boquillas de fluido, agujas, boquillas para localizar arena, lubricantes, mangueras de material, elementos de filtros, turbinas de motores, alfileros, hojas, discos para cortar, cintas, cintas para cintales, cortadores, boquillas, mandriles, mordazas para remachadoras, brocas para desarmadores, papeles de lija, almohadillas para llavadoras o cualquier otro artículo desgastable que no se haya enumerado específicamente. Estos artículos sólo estarán cubiertos bajo esta garantía por noventa (90) días a partir de la fecha de compra original. Los artículos subterráneos sólo están garantizados por defectos de material o fabricación.
7. RESPONSABILIDADES DEL GARANTE BAJO ESTA GARANTIA: Reparar o reemplazar, como lo decida el Garante, los productos o componentes que estén defectuosos, se hayan dañado o hayan dejado de funcionar adecuadamente durante el periodo de validez de la garantía
8. RESPONSABILIDADES DEL COMPRADOR BAJO ESTA GARANTIA:
 - A. Suministrar prueba fechada de compra y la historia de mantenimiento del producto.
 - B. Entregar o enviar el producto o componente Campbell Hausfeld al Centro de Servicio autorizado Campbell Hausfeld más cercano. Los gastos de flete, de haberlos, deben ser pagados por el comprador.
 - C. Seguir las instrucciones sobre operación y mantenimiento del producto, tal como se indican) en el (los) manual(les) del propietario
9. CUANDO EFECTUARA EL GARANTE LA REPARACION O REEMPLAZO CUBIERTO BAJO ESTA GARANTIA:
 - A. La reparación o reemplazo dependerá del flujo normal de trabajo del centro de servicio y de la disponibilidad de repuestos.
 - B. Si el comprador no recibe resultados satisfactorios en el Centro de Servicio a Clientes de Campbell Hausfeld, (Vea el Párrafo 2), Esta Garantía Limitada sólo es válida en los Estados Unidos de América y Canadá y le otorga derechos legales específicos. Usted también puede tener otros derechos que varían de un Estado a otro, o de un país a otro.

Serious and Extreme Duty Units

WARNING Do not disassemble bowl from guard for any reason other than parts replacement. Operation without proper assembly could cause injury and will void all manufacturer's warranties and responsibilities. NEVER OPERATE SYSTEM WITHOUT BOWL GUARD IN PLACE!

WARNING Certain compressor oils, chemicals, household cleaners, solvents, paints and fumes will attack plastic bowls and cause bowl failure. Do not use such materials in or around air supply system. A complete list of all materials harmful to plastic bowls is not possible. Contact a Mobay Chemical or General Electric office for information regarding specific materials that will attack polycarbonate plastic.

MATERIALS THAT ATTACK POLYCARBONATE PLASTIC (PARTIAL LISTING)

Acetaldehyde	Chloroform	Methylene salicylate
Acetic acid (concentrated)	Cresol	Mite of lime (CaOH)
Acetone	Cyclohexanol	Nitric acid (concentrated)
Acrylonitrile	Cyclohexanone	Nitrobenzene
Ammonia	Cyclohexene	Nitrocellulose lacquer
Ammonium fluoride	Dimethyl formamide	Phenol
Ammonium hydroxide	Dioxane	Phosphorous hydroxy chloride
Ammonium sulfide	Ethane tetrachloride	Phosphorous trichloride
Anaerobic adhesives & sealants	Ethyl acetate	Phosphoric acid
Antrifreeze	Ethyl ether	Pyridine
Benzene	Ethylamine	Sodium hydroxide
Benzoin acid	Ethylene chlorohydrin	Sodium sulfide
Benzyl alcohol	Ethylene dichloride	Sulrene
Brake fluids	Ethylene glycol	Sulfuric acid (concentrated)
Bromobenzene	Formic acid (concentrated)	Sulphural chloride
Bromobenzene	Freon (refrig. & propell.)	Tetrahydronaphthalene
Butyric acid	Gasoline (high aromatt)	Toluene
Carbolic acid	Hydrazine	Turpentine
Carbon disulfide	Hydrochloric acid (concentrated)	Xylene
Carbon tetrachloride	Lacquer thinner	Perchlorethylene and others
Causitic potash solution	Causitic soda solution	
Chlorobenzene	Methylene chloride	

TRADE NAMES OF ATTACKING MATERIALS

Atlas "Perma-Guard"	*Loctite 290	Stauffer Chemical FYROQUEL #150
Buna N	*Loctite 601	Stillman #5R 269-75 (polyurethane)
Cellulube #150 and #220	*Loctite Teflon-Sealant	Stillman #5R 513-70 (neoprene)
Crylex #5 cement	Marvel Mystery Oil	Tanner-gas
* Eastman 910	Minn Rubber 366Y	Telar
Garlock #98403 (polyurethane)	National Compound #N11	Tenneco andrerol #495 & #500 oils
Haskel #568-023	"Nylock" - VC-3	Titon
Hilgard Co.'s hill phene	*Parco #1306 Neoprene	*Vibra-tite
Houghton & Co. oil #1120, #1130 and #1055	*Permabond 910	Zerex
Houtosafe 1000	Prestone	*When in raw liquid form.
Kano Kroll	Pydral AC	
Loctite penetrating oil #2	Sears Regular Motor Oil	
*Loctite 271	Sindair oil "Lily White"	

S'il vous plaît lire et conserver ces instructions. Lire attentivement avant de monter, installer, utiliser ou de procéder à l'entretien du produit décrit. Se protéger ainsi que les autres en observant toutes les instructions de sécurité, sinon, il y a risque de blessure et/ou dégâts matériels! Conserver ces instructions comme référence.



Nettoyeur / Sécheur À Air

Description

Le Nettoyeur/Sécheur À Air Campbell Hausfeld est conçu pour enlever la saleté, la plupart des polluants, l'huile et l'eau de l'air comprimé. Le système a deux parties; un filtre combinaison qui enlève la plupart des polluants, huiles et eau condensé, et un sécheur siccatif qui enlève la vapeur d'eau.

Déballage

Lors du déballage du nettoyeur/sécheur à air, l'examiner soigneusement pour rechercher toute trace de dommage susceptible de s'être produit en cours de transport. L'examiner pour pièces délogées, manquantes ou endommagées.

Directives De Sécurité

Ce manuel contient de l'information très importante qui est fournie pour la SÉCURITÉ et pour ÉVITER LES PROBLÈMES D'ÉQUIPEMENT. Rechercher les symboles suivants pour cette information.

▲ DANGER Danger indique une situation hasardeuse imminente qui, si pas évitée, résultera en perte de vie ou blessures graves.

▲ AVERTISSEMENT Avertissement indique une situation hasardeuse potentielle qui, si pas évitée, pourrait résulter en perte de vie ou blessures graves.

▲ ATTENTION indique une situation hasardeuse potentielle qui, si pas évitée, pourrait résulter en blessures.

▲ AVIS Avis indique l'information importante pour éviter le dommage de l'équipement.

Généralités Sur La Sécurité

Ce produit fait partie d'un système haute pression. Il est nécessaire de suivre les précautions de sécurité

suivantes ainsi que tous règlements de sécurité en vigueur.

1. Lire ce manuel d'instructions avant d'installer cet appareil sur un système d'air comprimé. Bien se familiariser avec les commandes et l'utilisation correcte de l'équipement.
2. Les lunettes de sécurité doivent être utilisées pendant l'opération. Toujours travailler dans un endroit bien aéré.
3. Ne pas dépasser aucun classement de pression de n'importe quelle pièce détachée du système.
4. Protéger les canalisations d'air contre le dommage et la perforation.
5. Inspecter les tuyaux d'air pour la faiblesse ou l'usure avant chaque utilisation. S'assurer que tous les raccords soient bien serrés.
6. Vérifier le serrage des écrous, boulons et vis et s'assurer que l'équipement soient en bon état de marche.



système avant d'essayer d'installer, de déplacer le produit, ou de procéder à son entretien ou service.

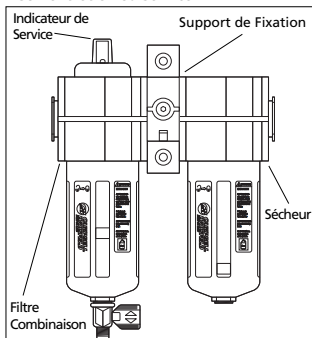


Figure 1

1. Situer le nettoyeur/sécheur aussi près que possible à l'outil pneumatique ou au pistolet vaporisateur.
2. Installer une soupape d'arrêt en position avant le nettoyeur/sécheur à air, afin de dépressuriser le modèle facilement pour le service. Monter le nettoyeur/sécheur à air avec sûreté dans une position verticale avec le support de fixation fournit.
3. Pour un rendement supérieur, installer un Filtre de 9,5 mm (PA2121) Campbell Hausfeld en position avant et après le filtre/sécheur. Brancher les tuyaux avec la circulation d'air dans la direction des flèches imprimées sur la partie supérieure du modèle. Éviter d'utiliser des raccords, accouplements, etc., supplémentaires qui peuvent limiter la circulation d'air.
4. Enlever le bol du carter de sécheur en poussant le bol vers le corps et en tournant. Tirer le bol en bas pour l'enlever du carter.
5. Ouvrir le sac de siccatif et le verser dans le bol. Agiter ou frapper le bol de temps à temps pour laisser déposer le siccatif. Remplir jusqu'à 12,7 mm (1/2 po) du haut du bol. Ne pas permettre que le siccatif entre le tuyau central.

▲ DANGER

Ce produit a été conçu pour le service d'air comprimé SEULEMENT. L'utilisation avec n'importe quel autre matériel (liquide ou gaz) est une application incorrecte interdite. Par exemple, l'utilisation ou l'injection de certains liquides ou gaz hasardeux dans le système (tels que l'alcool ou le gaz de pétrole) endommagera le modèle et pourrait causer une situation combustible ou une fuite externe hasardeuse. Les garanties Campbell Hausfeld sont annulés dans l'événement d'un mauvais usage, et Campbell Hausfeld ne prend aucune responsabilité pour aucune perte.

Spécifications

Pression maximale: 1034 kPa.

Température maximale: 52°C (125°F).

Montage

▲ AVERTISSEMENT Mettre hors circuit et dissiper toute la pression du

Instalación (Cont.)

- No permita que caiga desecante dentro del tubo del centro.
6. Instale el envase en el secador. Cerciórese de que esté bien instalado antes de comenzar a suministrarle la presión del aire comprimido.
 7. El filtro de fusión viene con el elemento del filtro instalado.
 8. Cerciórese de que la manguera de aire esté limpia para evitar la contaminación del aire purificado.
 9. Comience a suministrarle presión al sistema y chequee a ver si hay fugas de aire.

Funcionamiento

Antes de encender el compresor de aire, cerciórese de que los envases estén bien instalados y de que todas las conexiones estén bien apretadas.

Mantenimiento

▲ ADVERTENCIA Siempre libere toda la presión del sistema antes de sacar cualquier envase o podría ocasionar heridas personales yo daños a su propiedad.

1. Drene la humedad del filtro de fusión antes de cada uso. Para hacerlo, abra la llave de drenaje.

Cerciórese de que la presión del sistema sea de 0,69 bar (10 osig) o inferior.

2. Los únicos servicios adicionales requeridos por el purificador de aire/secador son cambios de desecante una vez que esté rosado y reemplazarle el elemento del filtro cuando el indicador de servicio esté en rojo.
3. Para añadir desecante
 - a. Cierre el flujo de aire hacia el purificador de aire/secador y libere la presión del sistema.
 - b. Para desconectar el envase del secador, empújelo hacia el cuerpo de la unidad y gírelo en sentido contrario a las agujas del reloj. Luego tirelo hacia abajo.
 - c. Bote los residuos de desecante usado.
 - d. Llène el envase hasta alcanzar una altura de unos 13mm (1/2") del borde de éste. No permita que caiga desecante dentro del tubo del centro.
 - e. Instale el envase en el secador. Cerciórese de que esté bien instalado antes de comenzar a suministrarle la presión del aire comprimido.
4. Para reemplazar el filtro de fusión - El indicador de servicio del filtro de fusión (mostrado en la Figura 1) le indicará cuando necesita reemplazarlo. Cuando el indicador

esté en rojo debe reemplazar el elemento del filtro. Use el elemento de filtro PA2087.

- a. Cierre el flujo de aire hacia el purificador de aire/secador y libere la presión del sistema.
- b. Para desconectar el envase de la unidad, empújelo hacia el cuerpo de la unidad y gírelo en sentido contrario a las agujas del reloj. Luego tirelo hacia abajo.
- c. Para sacar el elemento del filtro tómelo por la parte inferior y gírelo en sentido contrario a las agujas del reloj.
- d. Instale un elemento nuevo y cerciórese de que el anillo en O esté bien instalado en la ranura. Siempre sostenga el elemento por la parte inferior. No toque el plástico. De hacerlo, la presión podría dañarlo al ponerlo en servicio.
- e. Los elementos del filtro no pueden limpiarse. Siempre debe utilizar un elemento nuevo. Cerciórese de que esté bien instalado antes de comenzar el suministro de aire comprimido a la unidad.

Servicio Técnico

Para mayor información sobre el funcionamiento o reparación de este producto, comuníquese con el distribuidor de productos Campbell Hausfeld más cercano a su domicilio.

Notas

- Garantie Limitée**
- DURÉE: À partir de la date d'achat par l'acheteur original comme suit - Produits À Service Standard (Standard Duty) - Un An, Produits À Service Sérieux (Serious Duty) - Deux Ans, Produits À Service Extrême (Extreme Duty) - Trois Ans.
 - GARANTEE ACCORDEE PAR (GARANT): Campbell Hausfeld/Scott Fetzer Company, 100 Production Drive, Harrison, Ohio, 45030, Téléphone: (800) 543-6600
 - BÉNÉFICIAIRE DE CETTE GARANTIE (ACHETEUR): L'acheteur original (sauf en cas de revente) du produit Campbell Hausfeld.
 - PRODUITS COUVERTS PAR CETTE GARANTIE: Tous les outils de fixation (cloueurs etagra feuses), outils pneumatiques, pistolets vaporisateurs, gonfleurs ou accessoires pneumatiques Campbell Hausfeld qui sont fournis par ou fabriqués par le Garant.
 - COUVERTURE DE LA PRÉSENTE GARANTIE: Défauts de matière et de fabrication considérables qui se révèlent pendant la période de validité de la garantie.
 - LA PRÉSENTE GARANTIE NE COUVRE PAS:
 - Les garanties implicites, y compris celles de commercialisabilité et D'ADAPTION À UNE FONCTION PARTICULIÈRE SONT LIMITÉES À PARTIR DE LA DATE D'ACHAT INITIALE TELLE QU'INDIQUÉE DANS LA SECTION DURÉE. Si ce produit est utilisé pour une fonction commerciale, industrielle ou pour la location, la durée de la garantie sera quatre-vingt-dix (90) jours à compter de la date d'achat. Quelques Provinces (États) n'autorisent pas de limitations de durée pour les garanties implicites. Les limitations précédentes peuvent donc ne pas s'appliquer.
 - TOUT DOMMAGE, PERTE OU DÉFENSE FORTUIT OU INDIRECT POUVANT RÉSULTER DE TOUT DÉFAUT, PANNE OU MAUVAIS FONCTIONNEMENT DU PRODUIT CAMPBELL HAUSFELD. Quelques Provinces (États) n'autorisent pas l'exclusion ni la limitation des dommages fortuits ou indirects. La limitation ou exclusion précédente peut donc ne pas s'appliquer.
 - Toute panne résultant d'un accident, d'une utilisation abusive, de la négligence ou d'une utilisation ne respectant pas les instructions données dans le(s) manuel(s) accompagnant le produit. Un accident, l'utilisation abusive par l'acheteur, la négligence ou le manque de faire fonctionner les produits selon les instructions comprend aussi l'envoieage ou la modification de n'importe quel appareil de sûreté. Si ces appareils de sûreté sont enlevés ou modifiés, la garantie sera annulée.
 - Réglages normaux qui sont expliqués dans le(s) manuel(s) d'utilisation accompagnant le produit.
 - Articles ou services qui sont exigés pour l'entretien du produit: joints torique, ressorts, amortisseurs, écrans de débris, lames d'entraînement, fusibles, batteries, joints d'étanchéité, garnitures ou joints, buses de fluide, aiguilles, buses de sablage, graisses, tuyaux de matériaux, cartouches filtres, pales de moteur, abrasifs, lames, meules de coupeage, burins, fixe-burins, coupeuses, douilles de serrage, mandrins, mâchoires de rive, lames de tournevis, tampons de sablage, tampons de sauvegarde, ou pièces qui ne sont pas indispensables et qui ne sont pas indiquées. Ces articles seront couverts pour quatre-vingt-dix (90) jours à partir de la date d'achat original. Les articles soulignés sont garanties pour défauts de matière et de fabrication seulement.
 - RESPONSABILITÉS DU GARANT AUX TERMES DE CETTE GARANTIE: Réparation ou remplacement, au choix du Garant, des produits ou pièces qui se sont révélés défectueux pendant la durée de validité de la garantie.
 - RESPONSABILITÉS DE L'ACHETEUR AUX TERMES DE CETTE GARANTIE:
 - Fournir une preuve d'achat datée et un état d'entretien.
 - Livraison ou expédition du produit ou de la pièce Campbell Hausfeld au Centre De Service Autorisé Campbell Hausfeld. Taux de frais, si applicables, sont la responsabilité de l'acheteur.
 - Utilisation et entretien du produit avec un soin raisonnable, ainsi que le décrit (vent) le(s) manuel(s) d'utilisation.
 - RÉPARATION OU REMPLACEMENT EFFECTUÉ PAR LE GARANT AUX TERMES DE LA PRÉSENTE GARANTIE:
 - La réparation ou le remplacement sera prévu et exécuté en fonction de la charge de travail dans le centre de service et dépendra de la disponibilité des pièces de rechange.
 - Si l'acheteur n'est pas satisfait des services du Centre De Service Autorisé, l'acheteur devrait contacter Campbell Hausfeld (e référer au paragraphe 2).
- Cette Garantie Limitée s'applique aux É.-U. et au Canada et vous confère des droits judiciaires précis. L'acheteur peut également avoir d'autres droits qui varient d'une Province, d'un État ou d'un Pays à l'autre.

Modèles À Service Sérieux et Extrême

AVERTISSEMENT	AVERTISSEMENT
Ne pas démonter le bol du protecteur de bol pour autres raisons que le remplacement des pièces détachées. Le fonctionnement sans le montage correct pourra causer des blessures et niera toutes les garanties et les responsabilités du fabricant. NE JAMAIS FAIRE FONCTIONNER SANS QUE LE PROTECTEUR DE BOL SOIT EN PLACE!	Le bol sur ce modèle est fabriqué d'un plastique polycarbonate. Ne pas permettre des matériaux caustiques dans le système de débit d'air. Ne pas faire fonctionner le modèle avec des composants fondus ou déformés. Nettoyer le bol avec un chiffon propre et sec ou le remplacer au besoin.

MATÉRIAUX QUI ATTAQUENT LE PLASTIQUE POLYCARBONATE (LISTE PARTIELLE)

Acétaldéhyde	Chloroforme	Salicylate de Méthylène
Acide Acétique (concentré)	Crésol	Mike of lime (CaOH)
Acétone	Cyclohexanol	Acide Nitrique (concentré)
Acrylonitrile	Cyclohexanone	Nitrobenzène
Ammoniaque	Cyclohexène	Laque Nitrocellulose
Fluorure d'ammonium	Diméthyl formamide	Phénol
Ammoniaque	Dioxane	Hydroxy chloride Phosphoreux
Sulfure d'ammonium	Ethane tetrachloride	Trichloride Phosphoreux
Adhésifs et agents d'étanchéité anaérobie	Éther d'éthyl	Acide Phosphonic
Antigel	Ethylamine	Pyridine
Benzène	Ethylène chlorohydrine	Hydrate de Soude
Acide Benzotique	Bichlorure d'éthylène	Sulfure de Soude
Benzyl alcool	Éthylène glycol	Syrène
Liquides pour freins	Acide Formique (concentré)	Acide Sulfurique (concentré)
Bromobenzène	Freon (refrig. & propul.)	Chloride Sulfureux
Acide Butyrique	Essence (très aromatique)	Tetrahydronaphthalène
Acide Carbolique	Hydrazine	Tiophène
Bisulfure de carbone	Acide Hydrochlorique (concentré)	Toluène
Tetrachlorure de carbone	Diluant de laque	Térébenthine
Solution de potasse caustique	Alcool méthylique	Xylène
Chlorobenzène	Chlorure de Méthylène	Perchloréthylène et autres

MARQUES DE MATÉRIAUX QUI ATTAQUENT

Atlas "Perma-Guard"	*Loctite 290	Staufier Chemical FYROQUEL #150
Buna N	*Loctite 601	Stillman #SR 269-75 (polyuréthane)
Cellulose #150 et #20	*Loctite Teflon-Agent d'étanchéité	Stillman #SR 513-70 (néoprène)
Ciment Cylux #5	Hulle Marvel Mystery Oil	Tannerags
* Eastman 910	Min Rubber 366Y	Telar
Carlock #98403 (polyuréthane)	National Compound #N11	*Vibra-tite
Haskel #568-023	*Nylock - VC3	Titon
Hilgard Co.'s nil pheme	Parco #1306 Neoprene	*Vibra-tite
Hulle Houghton & Co. #1120,	*Permabond 910	Zerex
#1130 et #1055	Petron PD287	*Si en forme brut liquide.
Houtosafe 1000	Prestone	
Kano Kroll	Pydral AC	
Huile de décapage Keystone #2	Huile Sears Regular Motor Oil	
*Loctite 271	Huile Sinclair "Lily White"	