

Insta-DE Screen

Adhesive Dry-Erase Front Projection Screen

User's Guide



What's in the package

Please make sure all parts listed below are included before proceeding with your installation

a.



b.



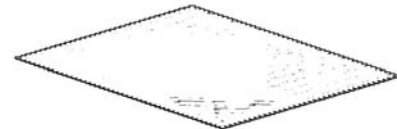
c.



d.



e.



Parts List		QTY
a.	Insta-DE Screen Material	1
b.	Pen holder	1
c.	Whiteboard pens	3
d.	Elite special high density whiteboard eraser	2
e.	Microfiber cleaning cloth	1

Notes:

1. For the best results and maximum product longevity, **ALWAYS** and **ONLY use Elite Screens high density whiteboard Eraser.**
2. Please use the microfiber cloth and clean water to cleanse the surface every 2-4 weeks to maintain a fresh and clean projection surface.

1. What is it for?

The Insta-DE Screen – Is a pliable adhesive projection screen that doubles as a dry-erase writing surface. This product was designed and produced to serve as a standard projection screen with dry-erase capabilities. It is easily installed via its adhesive backing in virtually any professional environment. Preferable locations for the Insta-DE Screen material include internal office windows, door spaces or in converting old whiteboards into professional-grade 1.1 gain projection screens with dry erase capabilities.

Its diffusion uniformity provides a wide viewing angle for superior color reproduction and picture quality. To enhance the instructional qualities of a visual presentation, this product is a fully-functional whiteboard screen that utilizes ordinary dry-erase markers. This 2-in-1 function combines both projection screen and white board into a cost effective and space conscious instructional tool.

2. How does this material work?

This ground-breaking product uses a series of layers from its adhesive black backing to the 1.1 gain matte white material and its outer dry-erase surface. The matte texture provides wide diffusion uniformity and eliminates hot-spotting while still providing a suitable writing surface for dry-erase markers. **(These are qualities that a regular whiteboard screen cannot perform since it is not designed for projected color neutrality or reflective diffusion and its gloss surface gives too much glare.)**

To facilitate the dry erase function, its surface layer is coated with a scratch-resistant optical nanotech resin. All of these factors are what makes this product such a valued 2-in-1 commodity.

3. How do you install it?

Follow these three simple steps:

- i. Clean and slightly moisten the wall-space where the material is to be installed.
- ii. Remove the release paper covering the adhesive backing as you unroll the material onto the wall.
- iii. Adjust the screen's alignment and allow it to dry into place for about 24 hours.

2. Screen Material

Insta-DE Screen is an environmentally friendly PVC free product.

It works well with either traditional projectors or the latest in short throw projection technology. Its wide diffusion uniformity allows viewers to enjoy an easily visible video presentation from multiple angles. The material is easy to write on and easy to erase. Because of its video specifications, Elite provides a special high density eraser for the best results. Features are as follows.

- It combines a high quality projection screen and standard dry erase board into one space-saving economical product.
- Instantly convert your blank wall into an educational projection screen and dry erase board in just minutes. Three words to remember are: **Apply, Project & Write.**
- Surface is coated with a scratch-resistant optical nanotech resin to promote longevity as a long term dry erase board for the meeting room, classroom or training room.
- Unique optical coating provides high diffusion uniformity and color reproduction.
- Contrast enhancements improve picture black levels for greater resolution and balanced color temperature
- Wide Viewing Angle: 180° (90° Left/Right) with Gain: 1.1
- 2-year parts & labor Warranty

1. Clean the location where the **Insta-DE Screen** will be installed.
2. Measure and mark the top-right and bottom-right corner of the installation location (fig. 1).

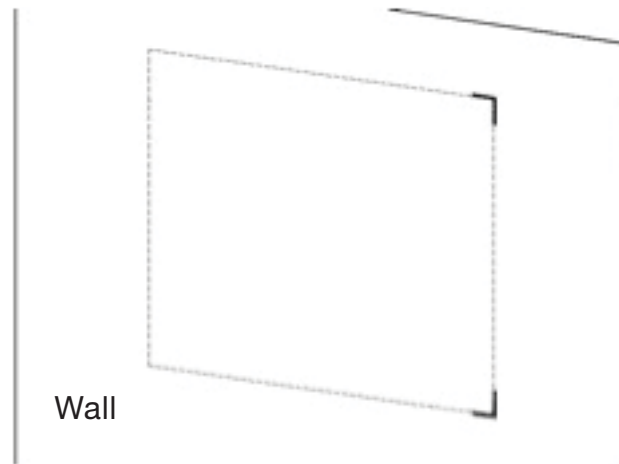


Figure 1

3. Peel off a 1 inch length of the tape film at the top and bottom of the first taping line (fig. 2)

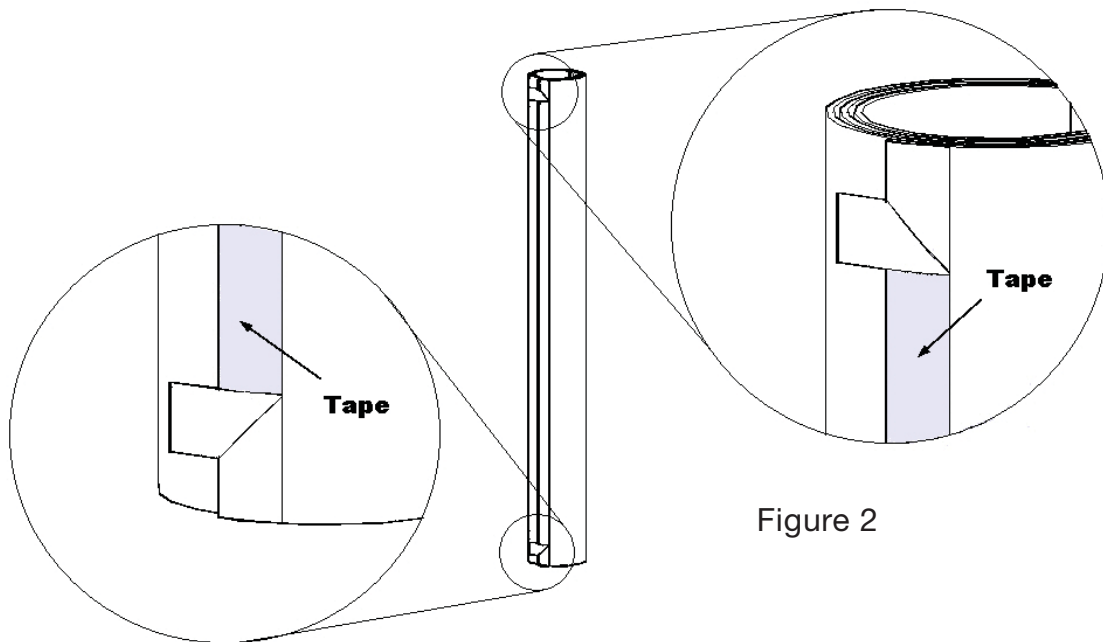
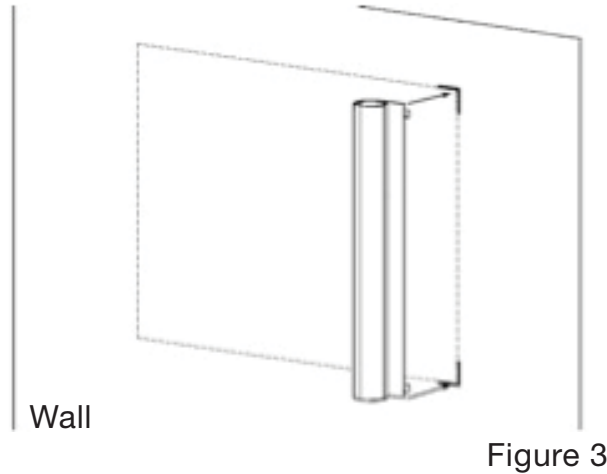
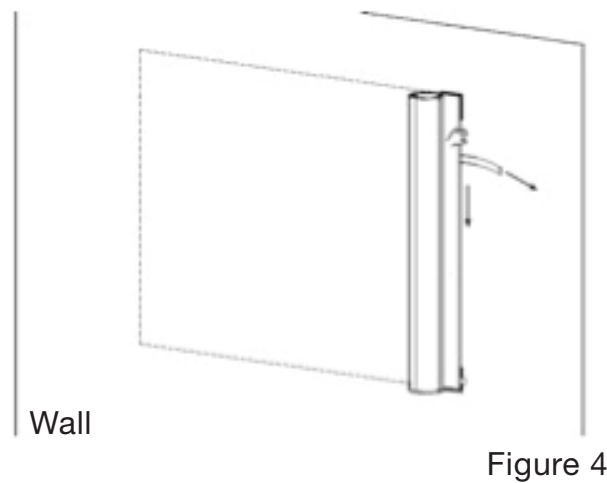


Figure 2

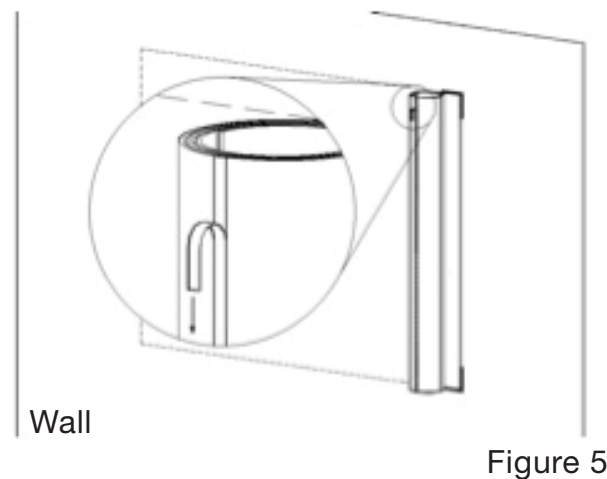
4. Attach the **Insta-DE Screen** to the top-right and bottom-right corner of the location (fig. 3)



5. Remove the tape film paper while unrolling the material and firmly attach the first tape line with pressure (fig. 4)



6. Follow the taping line while unrolling the material and continue removing the tape film as the material unrolls (fig. 5)



- Unroll the material to the left and firmly attach the following taping line onto the location. Make sure that the material has completely rolled out perfectly flat. (fig. 6)

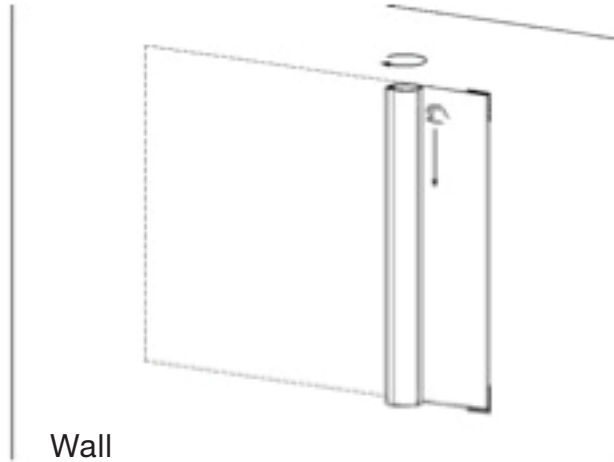
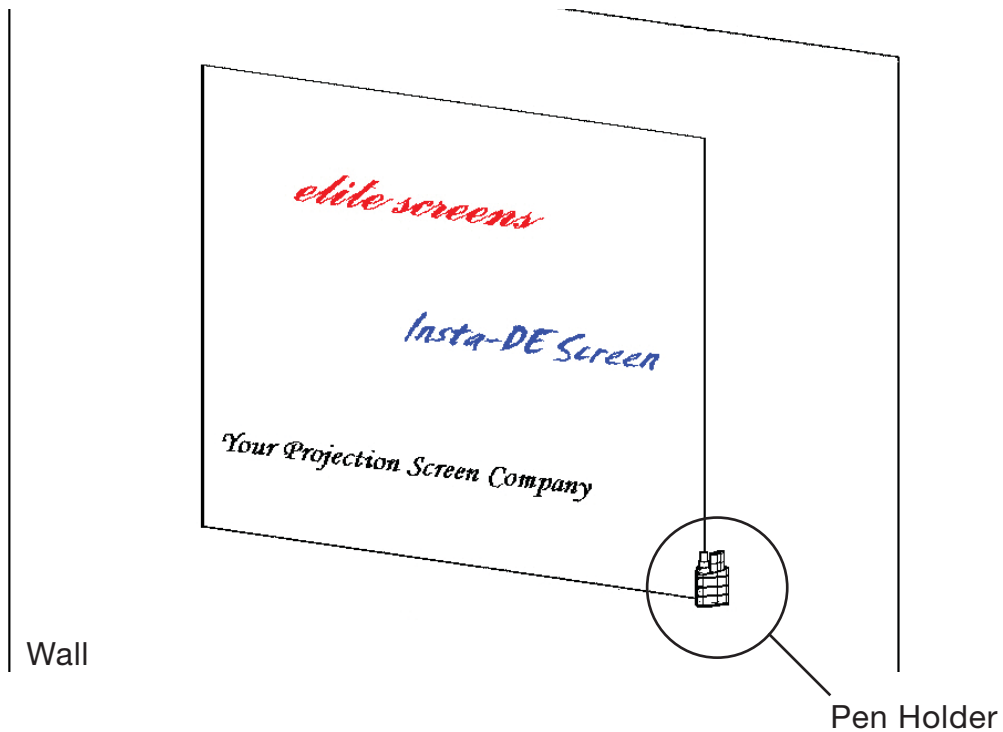


Figure 6

- Repeat steps 6 and 7 to finish the attachment and allow it to dry for about 24 hours



Caution:

The adhesive surface is meant to be permanent for the life of the product. It does not remove easily. Please attach very carefully to avoid having to remove the product and positioning it in a different location. This product does not stick well directly to drywall surfaces, due to the nature of the material.



Warranty Policy

- **Two (2) year** parts and labor warranty from defects in workmanship from purchase date as follows
- **Three (3) year** parts and labor warranty from defects in workmanship for **GEMR** (Government, Educational, Military, & Religious) purchases of new product only
- Each party will be responsible for one way shipping during the warranty period.
- **A RMA (Return Merchandise Authorization) number** must be issued in order to process a replacement or to authorize a return for warranty repair. Elite Screens will, at its sole option replace or repair the defective unit with a replacement *(see exceptions below) after the defective unit is received. Once the product is received, Elite Screens will send out a replacement *unit to the customer by ground service (subject to inventory availability).
- **Do not return** any unauthorized items to Elite Screen, as they will be refused and returned at your expense. The RMA number must be included on the outside label of your shipping box. Our warehouse is not authorized to accept returns without an RMA number on the shipping label.
- **RMA numbers are valid for 45 days from the date of issue.**
- **Missing Parts** must be reported within 7-days of receipt. If reported after 7 days, customer will only be responsible for shipping and handling fees. If reported after 30 days of receipt, customer is responsible for cost of the parts and shipping & handling fees.

*A new or refurbished replacement will be sent out to the customer depending on the type of purchase (new or refurbished) or based on stock availability.

For North America (USA/Canada) only

For Warranty and Service requests please fill out a RMA /Service Form at:
http://www.elitescreens.com/service_form.htm

Please Visit this link for full Warranty information:
<http://www.elitescreens.com/service.htm>

For Customer Service and Technical questions, please contact Elite Screens at:
Telephone: (877) 511-1211
Fax: (562) 483-8498

Remember to register your Product at www.elitescreens.com/register

US & Canada Tech Support & Warranty Claim

Please contact us at service@elitescreens.com or call +1 877-511-1211 #3 Service

Europe Tech Support & Warranty Claim

Please contact us at service@elitescreens.eu or call +49-(0) 40-30392958

Asia Tech Support & Warranty Claim

Please contact us at service@elitescreens.com.cn or call +86-(0) 755-8461-7989

Taiwan Tech Support & Warranty Claim

Please contact us at service@elitescreens.com.tw or call +886-(02) 2747-8979

Elite Screens America

16410 Manning Way
Cerritos • California 90703
www.elitescreens.com
info@elitescreens.com
811.511.1211

ASIA:

Elite Screens China Ltd.

Longxi Duimianling Industry Zone
Longcheng Longgang District,
ShenZhen Guangdong, China
www.elitescreens.com.cn
info@elitescreens.com.cn
+86 (0) 755.8461.7989

Elite Screens China - Beijing Office

Room B203 Building Central Valley,
No. 16 Hai Dian Zhong Jie Rd.
Hai Dian District, Beijing City 100080
www.elitescreens.com.cn
tony.wang@elitescreens.com.cn
+86 (0) 010.8248.4033

Elite Screens China - Shanghai Office

Room 1A, Constellation Building
Yude Rd. Xuhui District,
Shanghai, China 200233
www.elitescreens.com.cn
sonia.sun@elitescreens.com.cn
+86 (0) 021.5489.3199

Elite Screens Taiwan Ltd.

1F. No. 38 Alley 22 Lane 66 Sec. 5
Nanjing E. Rd. Songshan District
Taipei City 105, Taiwan (R.O.C.)
www.elitescreens.com.tw
info@elitescreens.com.tw
886 (0) 2.2747.8979

Elite Screens Japan

467-2-606 Tsuruman, Machida-shi,
Tokyo, 194-0004 Japan
www.elitescreens.jp
info@elitescreens.jp
+81 (0) 42.706.9130

EUROPE:

Elite Screens Europe GmbH

Lübecker Straße 1
22087 Hamburg, Germany
www.elitescreens.eu
info@elitescreens.eu
+49.40.30392494

Elite Screens France S.A.S

11, Allée William Penn
92150 Suresnes, France
www.elitescreens.com/fr
pascale.dautemer@elitescreens.com
+33.1.45064735