

**INSTRUCTION  
MANUAL**

**DAY/NIGHT LONG RANGE  
VARI-FOCAL COLOR CAMERA**

**MODEL HDC553**



**Copyright © 2009 Clover Electronics U.S.A. All Rights Reserved.**

## PRECAUTIONS

- To avoid electrical shock, do not open the case of this product.
- Do not stamp fingerprints on the window for lens.
- Operate this product using only the supplied AC Power supply.
- Do not overload electrical outlets or extension cords; this can result in fire or electric shock.
- Keep this product away from strong magnetic fields.
- Do not expose this product in direct sunlight or strong reflected rays.
- Refer servicing to qualified personnel only.
- Do not change or modify this product, the warranty will be voided.

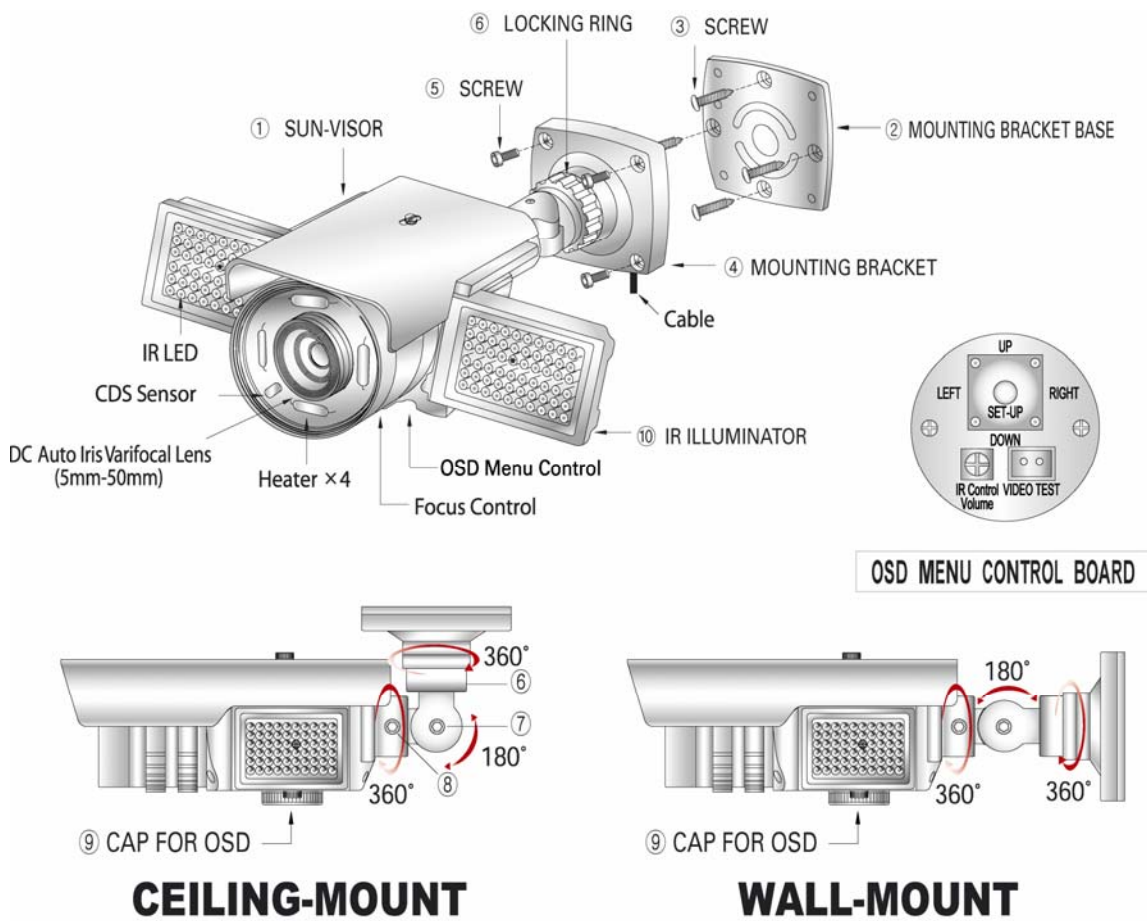
## FEATURES

- Weatherproof (IP67)
- 1/3" Sony Super HAD CCD
- High Resolution 550 TV Lines (Color), 600 TV Lines (B/W)
- True Day/Night (Built-in ICR: IR Cut Filter Removal)
- On Screen Display (OSD)
- 3D DNR (Digital Noise Reduction) with 3D filter
- D-WDR (Digital Wide Dynamic Range)
- Built-in Heaters
- Total 112 Infrared LEDs with a CDS sensor
- Up to 260' IR range (depends on scene reflection)
- DC Auto Iris Vari-focal Lens (5-50mm)
- Attached Universal Mounting Bracket and 100' cable
- Dual Voltage(AC 24V/DC 12V)

## INSTALLATION

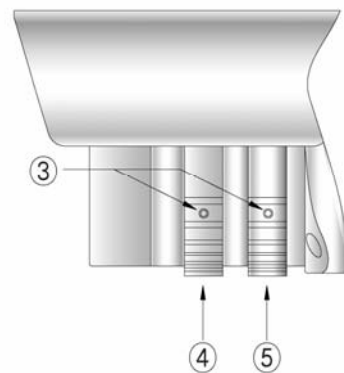
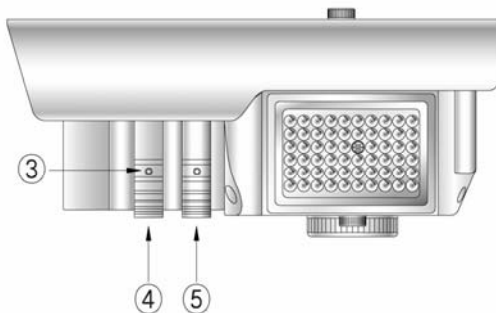
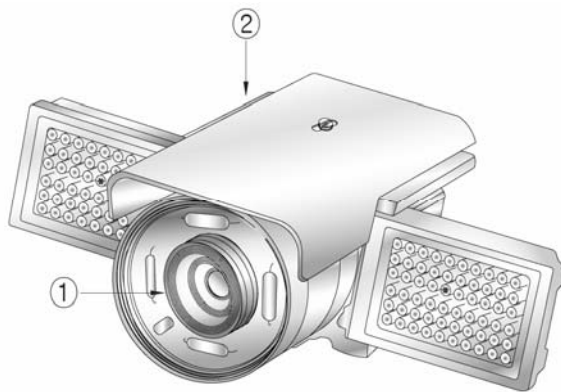
1. Get rid of the sun-visor① by turning the screw counter-clockwise on it.
2. Attach the mounting bracket base② to the wall or ceiling, wherever you want to install the camera. Locate a wall stud or ceiling joist and secure the bracket base② using the supplied screws③. Attach the mounting bracket④ to the mounting base② and secure them using the supplied screws⑤.
3. Lock the mounting bracket with the locking ring⑥.
4. Turn the pivot locking screw⑦ with the provided hex-head wrench counter-clockwise to set the desired angle of camera toward objects and turn it clockwise to secure. It can be used for wall-mount or ceiling-mount application depending on setting this pivot locking screw.

5. Loosen the locking screw<sup>⑧</sup> with the provided hex-head wrench and turn the camera clockwise or counter-clockwise to upright images on the screen and turn it clockwise to secure.
6. If necessary, change the settings to get the best images depending on your application by using the button on the bottom of the camera.
  - Get rid of the cap<sup>⑨</sup> for the OSD button by turning counter-clockwise and then change the settings (refer to the included instruction manual for OSD).
  - Turn the cap clockwise to secure after changing the settings.
7. Unfold the two IR illuminators<sup>⑩</sup> to enlarge the IR range at night.
8. Put the sun-visor back to the camera and fix it with the screw.
9. Connect the one end of 100' BNC cable (supplied) to the BNC (F) of 5' cable attached to the camera and the other end (BNC) of cable to the video devices such as DVR, monitor/TV. Plug the provided AC power supply to the DC jack (red) on the end of 100' cable.



## HOW TO ADJUST ANGLE OF VIEW

1. Vari-focal lens①  
Easily changeable angle of view: 5 to 50mm
2. Remove the sun-visor② and turn the locking screws③ on the knob with the provided hex-head wrench counter-clockwise to make easier adjustment for angle of view.  
Do not stamp your fingerprint on the window, which may affect picture quality.
3.  $\infty \leftrightarrow N$ ④  
Turn this adjustment ring④ clockwise or counter-clockwise to set the focus.
4. T $\leftrightarrow$ W (Tele  $\leftrightarrow$  Wide) ⑤  
Turn this adjustment ring⑤ clockwise or counter-clockwise to set the focal length.
5. After setting the focus and focal length, the locking screws③ should be securely fastened so that water can not leak into the camera.



**Note:**

- **Apply the provided AC Power supply only.**
- **The total length of cable must not exceed 200' including extension cable.**

## TROUBLE SHOOTING

If the camera does not function properly, check the following points before contacting the service center.

Troubles	Remedies
No video	Check the AC adapter and video cable between the camera and a monitor
The image on the screen is dark	Check the brightness control on the monitor
The image on the screen is dim	Check if the lens is stained. If dirty, clean it with soft and clean cloth
The camera is not working properly, and the surface of the camera case is hot	Check if you have connected the provided AC adapter
The contrast on the screen is too weak	Adjust the contrast feature of the monitor. If the camera is exposed under too strong light, change the position
The image on the screen flickers	Does the camera face to directly to the sunlight or fluorescent light? Change the camera position
Picture rolls and jumps, scrambled picture	Improper V-hold control. Setting on your monitor
Picture smaller than screen	House current may be too low

## SPECIFICATIONS

• Image sensor	1/3" SONY Super HAD CCD
• Total pixels	811(H) x 508(V)
• Effective Pixels	768(H) x 494(V)
• Scanning system	2:1 Interlace
• O.S.D	Available
• Backlight	Off / HSBLC / BLC selectable
• Resolution	550TV Lines(color),600TV Lines(B/W)
• S/N (Y signal)	52dB (AGC Off, Weight On)
• Min.illumination	0.000006Lux(IR LED ON)
• White Balance	ATW / AWB / Manual / AWC→SET
• Sense-up	Off / Auto / (Selectable limit x2 ~ x258)
• 3 DNR	Off / On (1~50 level adjustable)
• D-WDR	Indoor / Outdoor / Off
• D&N selection	Color / BW / Auto
• Digital zoom	On(x32) / Off
• Voltage	AC 24V / DC 12V(Dual voltage)
• Current consumption	870 mA (LED: ON), 180 mA (LED: OFF)
• Lens	DC Auto Iris Varifocal Lens (5mm-50mm)
• Operating temperature/Humidity	-10°C ~ +50°C. RH 95% Max.
• Storage temperature/Humidity	-20°C ~ +60°C. RH 95% Max.
• Dimensions	103 (W) x 108 (H) x 290 (D)mm
• Weight	5.5 Lbs

## LIMITED 2 YEAR WARRANTY

This warranty gives the original purchaser specific legal rights and you may also have other rights, which vary from state to state. If our products do not function because of any defect in material or workmanship, we will repair free of charges for 2 years on parts and labor from the date of original purchase. This warranty does not cover modification, abuse, incidental or consequential damages unless the state of owner's residence specially prohibits limitations on incidental or consequential damages.

## HOW TO OBTAIN FACTORY SERVICE

1. Original purchaser must fill out a warranty card and mail it to the factory with model number, serial number and the date of purchase.
2. We will repair or replace, and return to the owner the system under this limited warranty.
3. Please pack the system carefully and securely using the original packing materials, and send it prepaid and insured to: 13073 E. 166<sup>th</sup> St, Cerritos, CA 90703.
4. Please include a check for \$25.00 to cover the cost of return postage and handling. If the system is returned within the warranty period, please include a proof of purchase. If the system is out of warranty, you will receive an estimate of the repair cost for your approval before repair work will be begun.

## AVAILABLE ACCESSORIES

CDR0460	Stand-alone 4 CH Digital Video Recorder (DVR)
CDR4450	Stand-alone 4 CH Digital Video Recorder (DVR)
CDR0860	Stand-alone 8 CH Digital Video Recorder (DVR)
CDR1660	Stand-alone 16 CH Digital Video Recorder (DVR)
CDR0850	Stand-alone 8 CH Digital Video Recorder (DVR)
CDR1650	Stand-alone 16 CH Digital Video Recorder (DVR)
CA100BP	100' BNC/Power to BNC/Power Extension cable and coupler

## PACKAGE INCLUDES

- 1-Day & Night Long Range Vari-Focal Color Camera
- 1-Universal Mounting Bracket & 100' BNC/Power to BNC/Power cable
- 1-UL Approved AC Power Supply
- 1-Hardware Accessories Kit
- 1-Instruction Manual
- 1-Instruction Manual for OSD Control
- 1-Warranty Registration Card