

PARTS LIST

for

KitchenAid®

FOOD PROCESSOR

12 CUP – WIDE MOUTH/METALLIC

MODELS:

KFPM770NK0 – Brushed Nickel

4KFPM770NK0 – Brushed Nickel

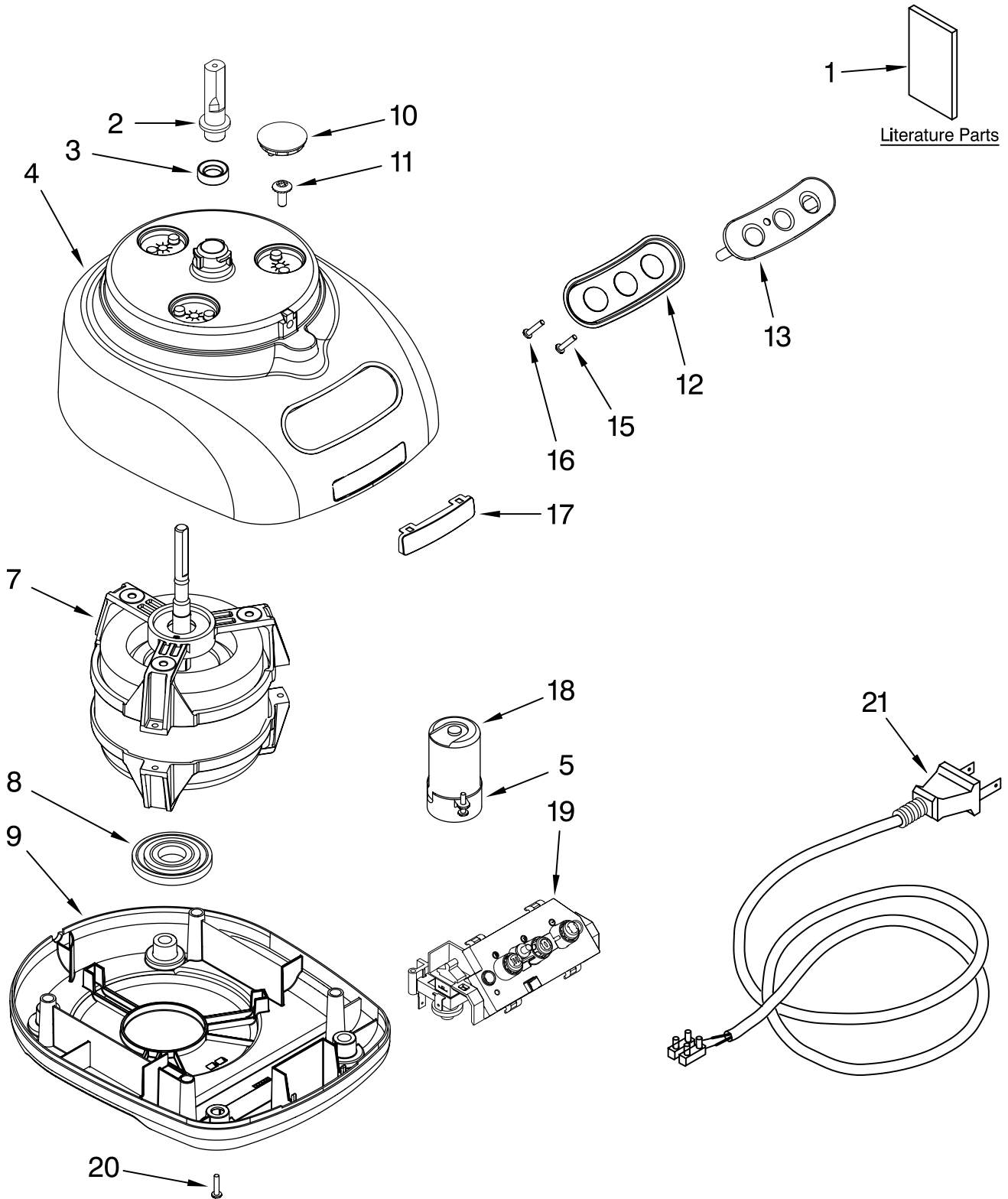


FOR CUSTOMER SATISFACTION ALWAYS USE
FACTORY SPECIFICATION PARTS



MOTOR AND HOUSING PARTS

For Models: KFPM770__0, 4KFPM770__0



FOR ORDERING INFORMATION REFER TO PARTS PRICE LIST

MOTOR AND HOUSING PARTS

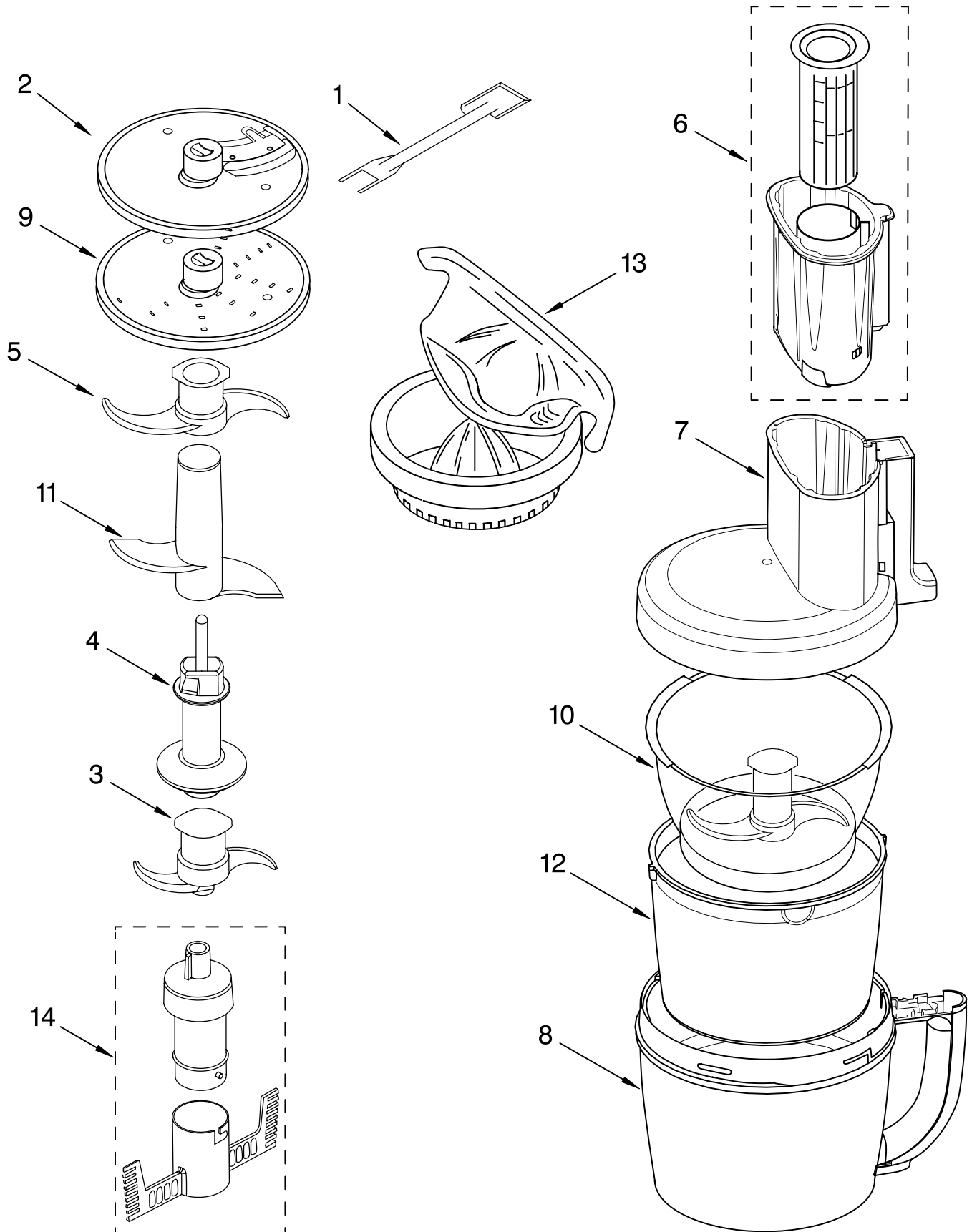
For Models: KFPM770__0, 4KFPM770__0

Illus. No.	Part No.	DESCRIPTION
1		Literature Parts
	8211864	Use & Care Guide
	8212060	Repair Parts List
2	8211849	Sleeve, Motor Shaft
3	8211828	Seal, Oil
4	8211823	Housing, Motor
5	8211607	Clip, Capacitor
7	8211837	Motor
8	8211843	Grommet, Motor
9	8212190	Base, Housing
10	8211827	Cover, Screw
11	8211586	Screw, Motor Locking
12	8211848	Bezel, Switch Panel
13	8211846	Overlay & Cover
15	8211870	Screw, Torx
16	8211812	Screw, Switch Panel
17	8211842	Nameplate
18	8211608	Capacitor
19	8212011	Relay & Switch Assembly
20	8211845	Foot
21	8211857	Cord, Power

FOR ORDERING INFORMATION REFER TO PARTS PRICE LIST

ATTACHMENT PARTS

For Models: KFPM770__0, 4KFPM770__0



FOR ORDERING INFORMATION REFER TO PARTS PRICE LIST

ATTACHMENT PARTS

For Models: KFPM770__0, 4KFPM770__0

Illus. No.	Part No.	DESCRIPTION
1	8211760	Spatula
2		Disc, Slicing
	8211929	2 mm
	8211930	4 mm
3	8212012	Mini Blade
4	8211858	Adapter, Shaft & Disc
5	8212014	Blade, Multipurpose
6	8212020	Pusher, Food
7	8212024	Cover, Work Bowl
8	8212019	Bowl, Work
9		Disc, Shredding
	8211933	4 mm
10	8211926	Bowl, Mini
11	8212016	Blade, Dough
12	8211928	Bowl, Chef's
13	8212025	Extractor, Citrus
14	8212033	Whip, Egg

OPTIONAL PARTS NOT ILLUSTRATED

8212034 Accessory Box
8211927 Lid, Mini Bowl
Disc, Slicing
8211931 6 mm
Disc, Shredding
8211932 2 mm
8211934 6 mm
8211935 Disc, Julienne
8211936 Disc, Grating
Parmesan/Ice
8211937 Disc, Cutting
French Fry
8211938 Rack, Disc

FOR ORDERING INFORMATION REFER TO PARTS PRICE LIST