

7" LCD Video Surveillance System

with 2 Indoor/Outdoor Day/Night Cameras

The SHS-2S7LD Series surveillance system offers a complete solution for home or business security. The slim 7" LCD monitor is designed to sit easily on any desk or counter and can be wall mounted. Installation is a snap and an A/V cable is included for easily connecting a TV or Monitor to the system for viewing, or a VCR for recording of video images. The weather resistant cameras offer viewing in low light with an illumination range of 13ft. (4m).



Compact Video Surveillance for your Home or Business



Cameras



Monitor

FEATURES

MONITOR:

- 7" TFT LCD Monitor
- 2 channels with auto scanning function that switches between cameras
- Easy connection to TV, VCR or Monitor with the included A/V cable
- OSD (On-screen Display)
- Small footprint - fits on a desk like a picture frame
- Wall mountable or Desk stand

CAMERAS:

- Two color indoor/outdoor cameras with audio included
- Plug and Play Cameras: All-in-one camera cable (with Video, Audio & Power) plugs directly to the monitor and eliminates the need for a separate power adaptor
- 11 Hi Intensity IR LEDs provides effective night vision range of 13 ft (4 m)*
- Day / Night mode: Picture automatically switches camera to B&W delivering better clarity in low light conditions
- Built in microphone provides listen-in function from the camera to monitor
- Weather resistant IP 44 certified camera in zinc alloy housing for indoor/ outdoor use**



AUTO SEQUENTIAL VIEWING

 **LOREX**

www.lorexcctv.com

* IR illumination range up to 13ft (4M) under ideal conditions. Objects at or beyond this range may be partially or completely obscured, depending on the camera application.
** Not for use in direct exposure to water, rain or snow

SHS-2S7LD SERIES

Quad Surveillance System

with 4 CCD Indoor/Outdoor Night Vision cameras*

SPECIFICATIONS

MONITOR:

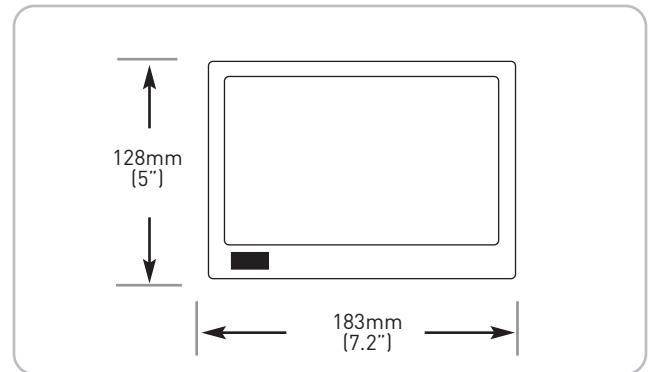
LCD	7"
Resolution	480 x 234
Monitor display	Response time: Ton: 10ms Toff: 20mS
Video inputs	1Vp-p, 75 ohm
Audio inputs	1Vp-p, 600 ohm
Audio	1-way Audio
Supply voltage	12VDC, 1A, 50/60Hz
Power consumption	Approx. 800mA (IR/ON)
Operating Temp. Range	14°~122° F / -10° ~ °+50°C
Unit Weight	0.605 kg
Unit Dimensions	183mm X 54mm X 128mm (L X W X H)

CAMERA:

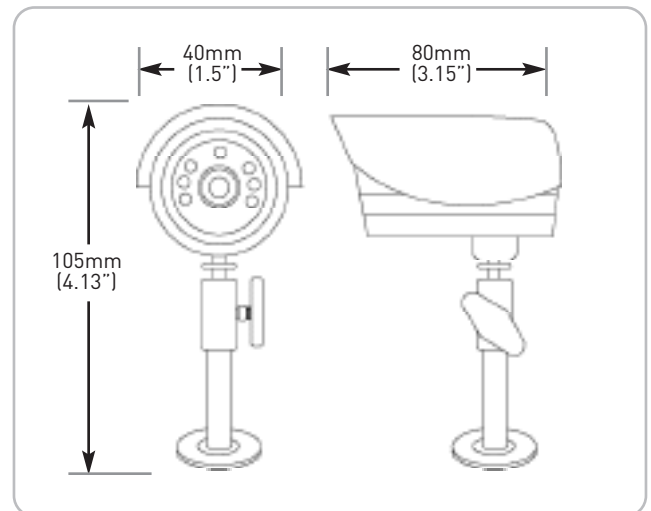
Image Sensor	1/3" Color CMOS
Video Format	NTSC / PAL
Effective Pixels	510°—492[NTSC] 628°—582[PAL]
Resolution	330 TV Lines
Scan System	NTSC: 525 Lines 2:1 interlace / PAL: 625 Lines 2:1 interlace
Sync System	Internal
S/N Ratio	More than 48dB
Iris	AES
AES Shutter Speed	NTSC: 1/60 ~ 1/100,000 Sec. / PAL: 1/50 ~ 1/100,000 Sec.
Minimum Illumination	3 LUX without IR LED, 0 LUX with IR LED
Video Output	Composite 1Vp-p @ 75 ohm
Lens/ Lens Mount	4.5mm Fixed
FOV (Diagonal)	NTSC:H: 52° V:40° PAL:H: 67° V:48°
Termination	4 Pin DIN
IR LED/ Night Vision Range	11PCS IR LED 850nm / 1PCS CDS / 4m / 13 Ft
Power Requirement	7.5 V DC +/- 10% (powered by the monitor)
Power Consumption	200 mA (IR/ON)
Operating Temp. Range	14°~122° F / -10° ~ °+50°C
Environmental Rating	IP 44
Built-in condenser microphone	One Way audio from camera to monitor

DIMENSIONS

MONITOR:



CAMERA:



PRODUCT INFORMATION

Model #:	SHS-2S7LD Series
Description:	LCD Video Surveillance System
UPC:	SHS-2S7LD 7 78597 00027 6 SHS-2S7LDP 7 78597 00127 3
Package Dimensions:	292mm w x 305mm h x 241mm d 11.5" w x 12" h x 9.5" d
Package Weight:	4.53 kg / 10 lbs

LOREX TECHNOLOGY INC.

300 Alden Road, Markham,
Ontario L3R 4C1
Canada

3700 Koppers Street, Suite 100
Baltimore, Maryland 21227,
USA

©2007 Lorex Technology Inc.
As our product is subject to continuous improvement, Lorex Technology & subsidiaries reserve the right to modify product design, specifications & prices without notice and without incurring any obligation. E&OE