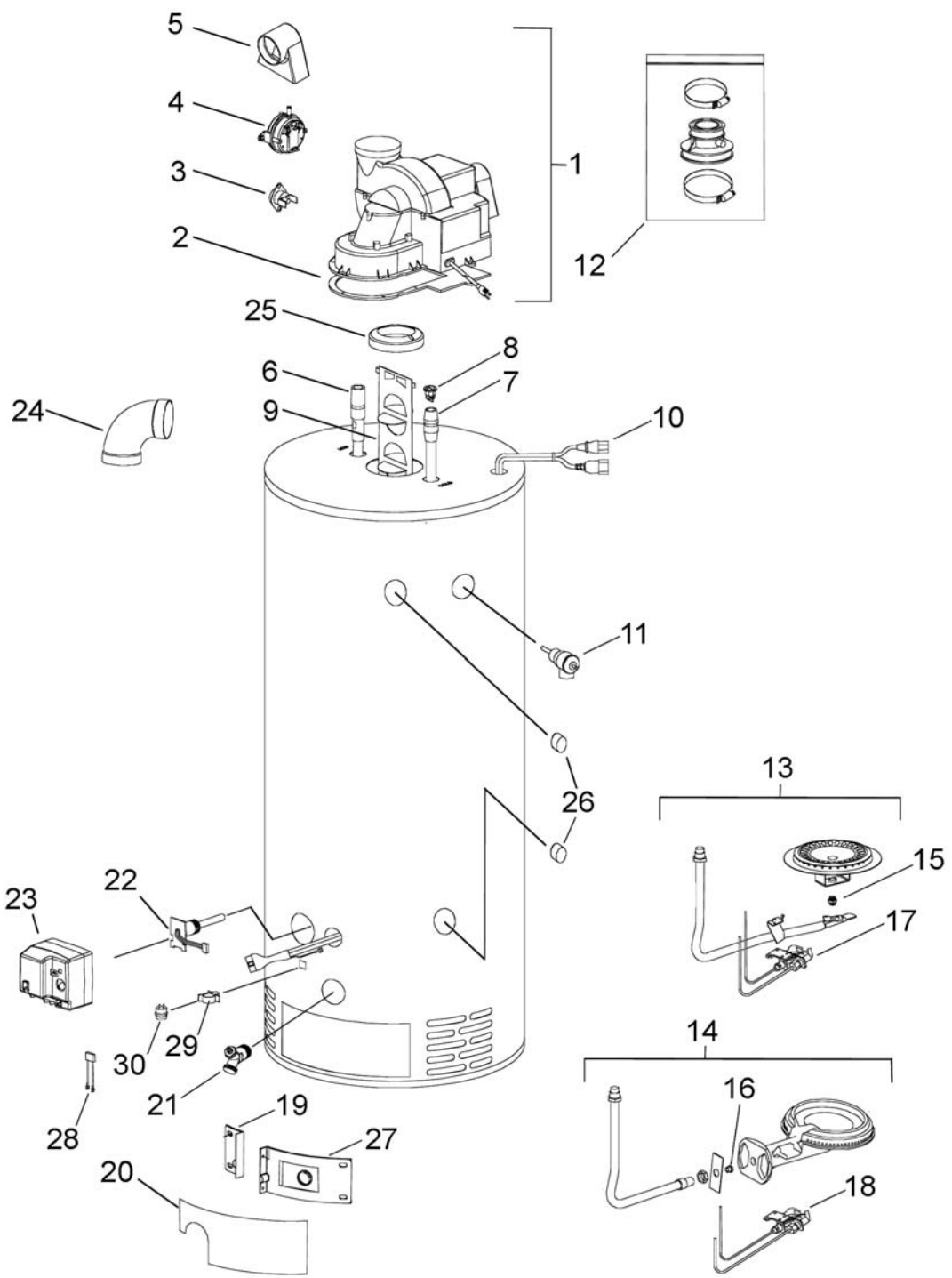




PARTS & SERVICE DEPARTMENT
 Nashville, Tennessee
 615-889-8900 • Fax: 615-547-1000
 www.Lochinvar.com

Replacement Parts List

**Power-Vented Residential Gas
 Models LVN(L)
 041G, 051G, 052G, & 065G**



ITEM NO.	DESCRIPTION	MODEL/PART NUMBER			
		LV(N,L)041G	LV(N,L)051G	LV(N,L)052G	LV(N,L)065G
1	Blower	PVT1033	PVT1033	PVT1032	PVT1032
2	Blower Gasket	GKT1027	GKT1027	GKT1027	GKT1027
3	Hi Limit	HLC1003	HLC1003	HLC1003	HLC1003
4	Pressure Switch	PRS1031	PRS1031	PRS1032	PRS1032
5	Air Mixing Inlet	MSC1006	MSC1006	MSC1006	MSC1006
6	Anode, Magnesium	WTR1060	WTR1060	WTR1010	WTR1009
7	Dip Tube	WTR1018	WTR1018	WTR1018	WTR1018
8	Heat Trap Inlet	WTR1028	WTR1028	WTR1028	WTR1028
9	Flue Baffle	JKT1095	JKT1095	JKT1096	JKT1096
10	Safety Circuit Wire Harness	WRE1001	WRE1001	WRE1002	WRE1002
11	T&P Relief Valve	RLV1004	RLV1004	RLV1005	RLV1004
12	Exhaust Adaptor	DRV1202	DRV1202	DRV1203	DRV1203
13	Burner Assembly, NAT	BNR1230	BNR1232	BNR1231	BNR1231
14	Burner Assembly, LPG	BNR1233	BNR1235	BNR1234	BNR1234
15	Orifice, NAT	ORF1025	ORF1025	ORF1017	ORF1017
16	Orifice, LPG	ORF1052	ORF1052	ORF1032	ORF1032
17	Pilot Assembly, NAT	PLT1069	PLT1069	PLT1069	PLT1069
18	Pilot Assembly, LPG	PLT1070	PLT1070	PLT1070	PLT1070
19	Left Side Inner Door	JKT1019	JKT1019	JKT1019	JKT1019
20	Outer Door	JKT1049	JKT1049	JKT1029	JKT1029
21	Drain Valve	DRV1007	DRV1007	DRV1001	DRV1007
22	Gas Valve Sensor	TST1051	TST1051	TST1051	TST1052
23	Gas Valve Nat	TST1024	TST1024	TST1024	TST1024
23	Gas Valve LP	TST1025	TST1025	TST1025	TST1025
24	Exhaust Termination Elbow	DRH1052	DRH1052	DRH1100	DRH1100
25	Flue Reducer	-	-	DRH1002	DRH1002
26	3/4 NPT Plug	-	-	MSC1018	MSC1018
27	Right Side Inner Door	JKT1083	JKT1083	JKT1084	JKT1084
28	Sensor Harness	WRE1004	WRE1004	WRE1004	WRE1004
29	Flammable Vapor Sensor Clip	MSC1020	MSC1020	MSC1020	MSC1020
30	Flammable Vapor Sensor	TST1027	RST1027	TST1027	TST1027

PLEASE HAVE MODEL NUMBER AND SERIAL NUMBER WHEN ORDERING PARTS